



US00D510847S

(12) **United States Design Patent**
McKnight

(10) **Patent No.: US D510,847 S**

(45) **Date of Patent: ** Oct. 25, 2005**

(54) **DOUBLE SOCKET TOOL**

D464,545 S * 10/2002 Marty et al. D8/21
6,463,833 B1 * 10/2002 Lund 81/124.4

(76) Inventor: **David Paul McKnight**, 9440 Dawson Rd., Crofton, KY (US) 42217

OTHER PUBLICATIONS

(**) Term: **14 Years**

Sears catalog, 2003.*

(21) Appl. No.: **29/178,874**

* cited by examiner

(22) Filed: **Apr. 1, 2003**

Primary Examiner—Raphael Barkai
(74) *Attorney, Agent, or Firm*—Kerrick Stivers & Coyle; Laura M. Hagan

(51) **LOC (8) Cl. 08-05**

(52) **U.S. Cl. D8/29**

(58) **Field of Search** D8/21–29; 81/121.1, 81/124.3–124.6, 125, 125.1, 177.1, 177.2, 177.85, 436, 177.6, 119

(57) **CLAIM**

I claim the ornamental design for a double socket tool, as shown and described.

(56) **References Cited**

DESCRIPTION

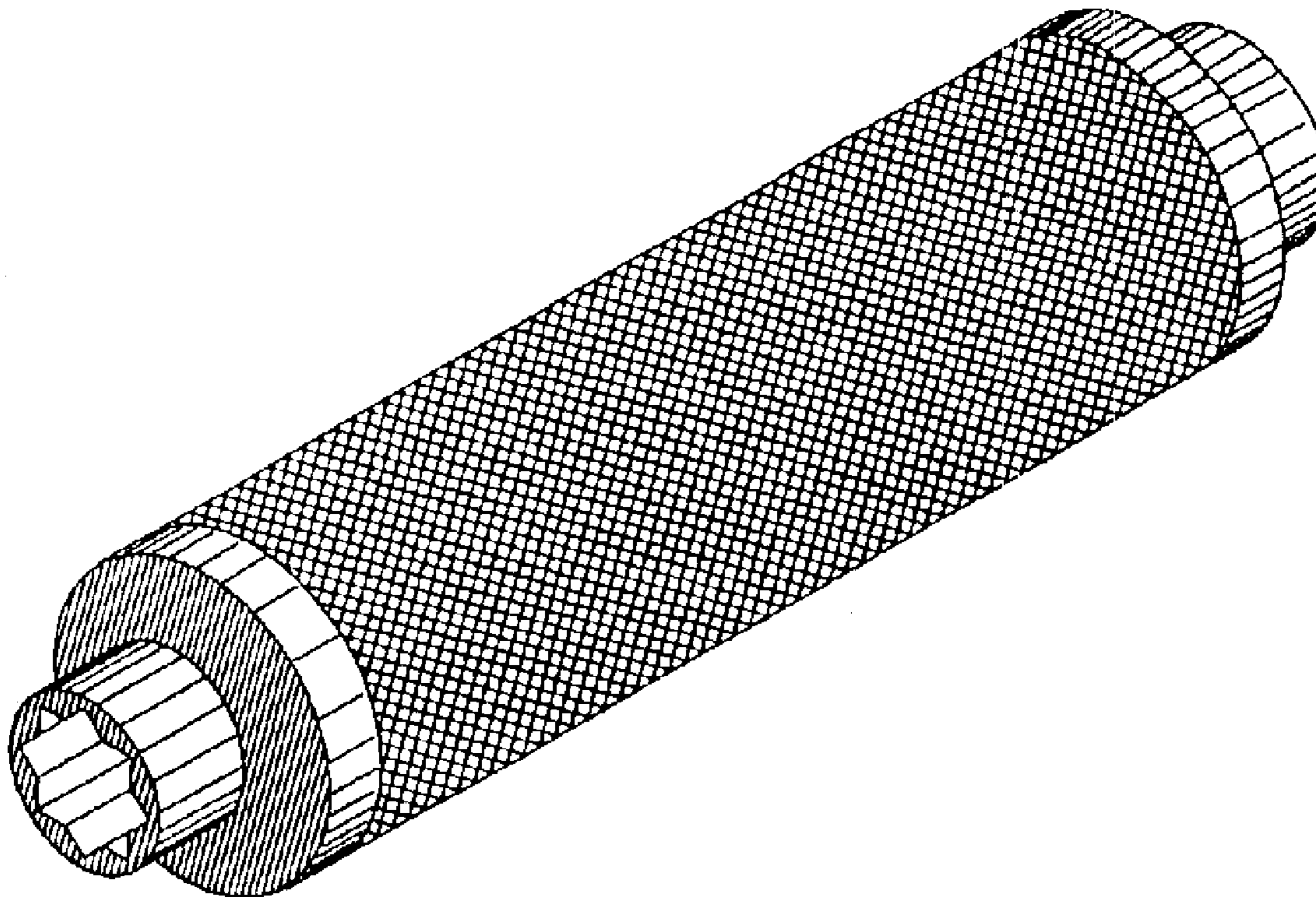
U.S. PATENT DOCUMENTS

FIG. 1 is a perspective view of a double socket tool showing my new design;

1,651,362 A	*	12/1927	Ayotte	81/124.6
1,748,246 A	*	2/1930	Russell	81/124.4
3,157,258 A	*	11/1964	Cronholm	D8/29
5,035,162 A	*	7/1991	Dougherty	81/124.4
D436,513 S	*	1/2001	Yamakawa	D8/86
D442,837 S	*	5/2001	Porras	D8/29
6,354,176 B1	*	3/2002	Nordlin	81/125.1

FIG. 2 is a front elevation view thereof;
FIG. 3 is a rear elevation view thereof; and,
FIG. 4 is a left side elevation view thereof; the right side view being a mirror image of that shown.

1 Claim, 1 Drawing Sheet



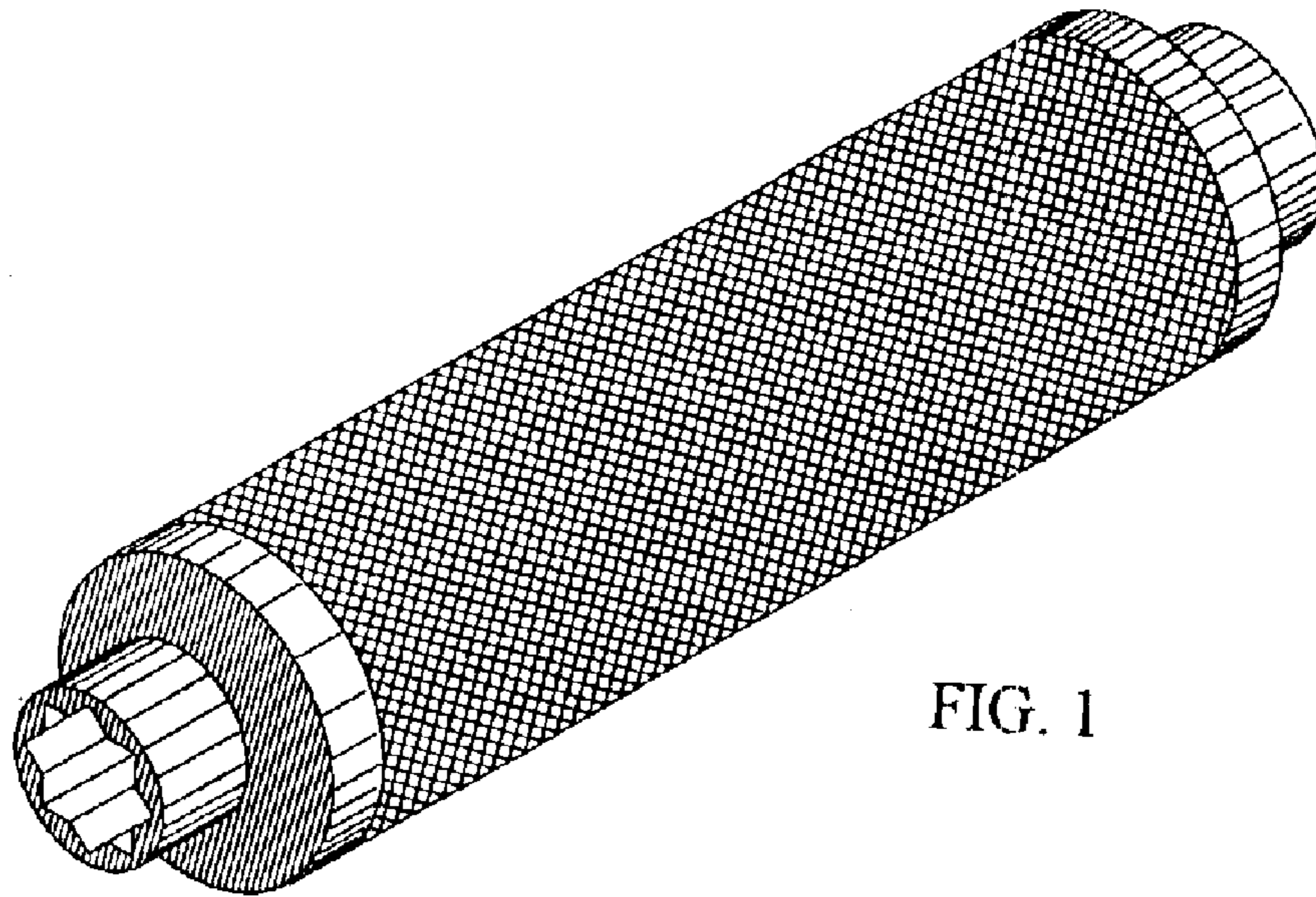


FIG. 1

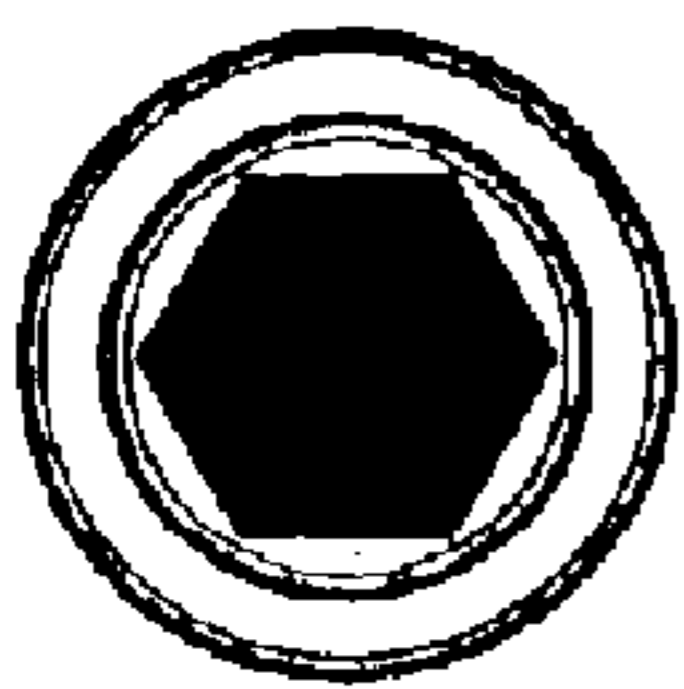


FIG. 3

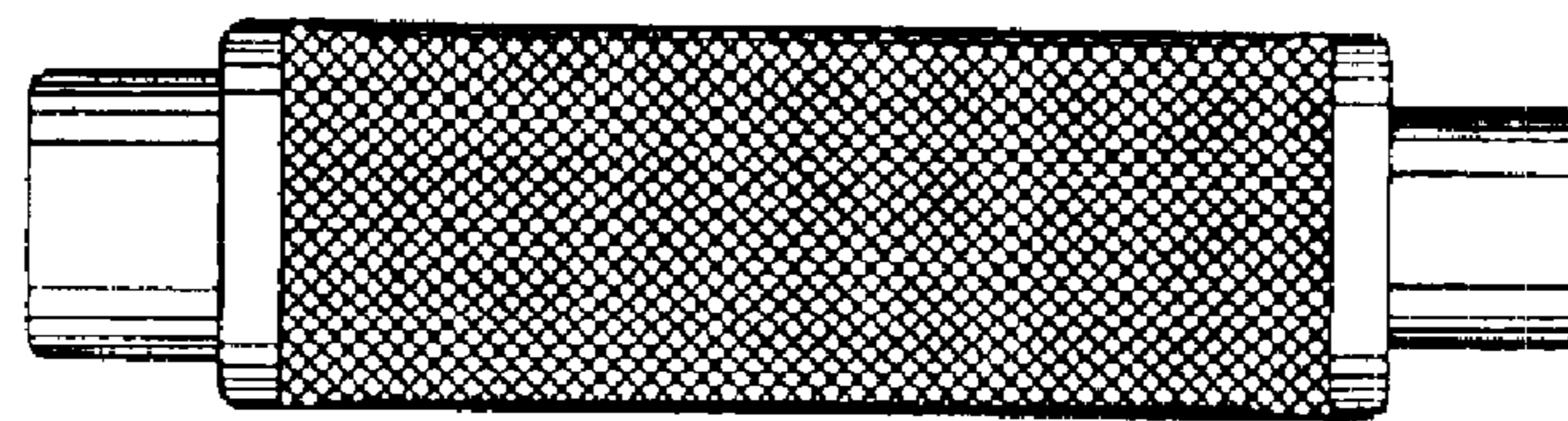


FIG. 4

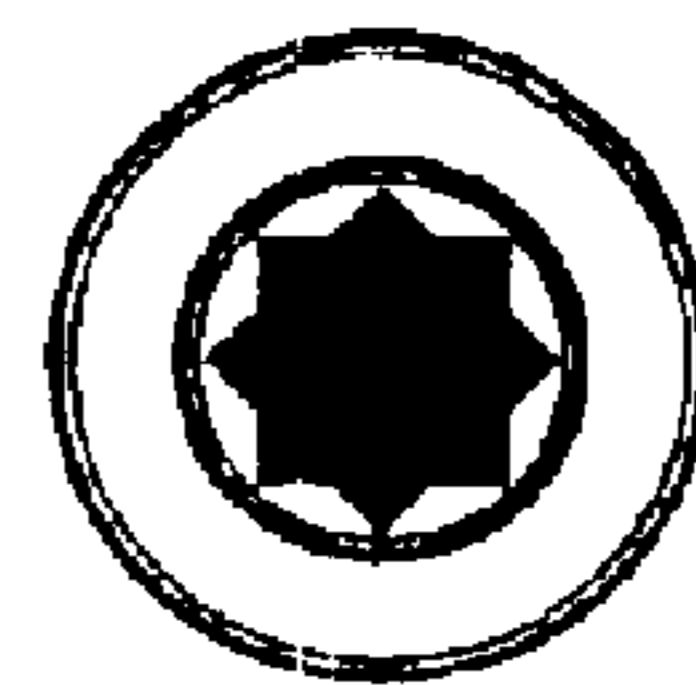


FIG. 2