



US00D510846S

(12) **United States Design Patent**  
**Hardy**

(10) **Patent No.: US D510,846 S**  
(45) **Date of Patent: \*\* Oct. 25, 2005**

(54) **MODULAR GROWING PLANT SUPPORT SYSTEM**

(76) **Inventor: Stephen D. Hardy, 5304 Shriver Ave., Des Moines, IA (US) 50312**

(\*\*) **Term: 14 Years**

(21) **Appl. No.: 29/203,380**

(22) **Filed: Apr. 13, 2004**

(51) **LOC (8) Cl. .... 08-01**

(52) **U.S. Cl. .... D8/1**

(58) **Field of Search ..... D8/1; 47/47, 43-44, 47/32.4, 32, 30**

6,385,901 B1 5/2002 Wahlberg  
6,389,744 B1 \* 5/2002 Pugh ..... 47/47  
6,401,385 B1 6/2002 Kleinert  
6,490,825 B1 12/2002 Dillon et al.  
2002/0029518 A1 3/2002 Peck

**FOREIGN PATENT DOCUMENTS**

DE 2801004 A 1/1977  
JP 118771 A 7/1999

\* cited by examiner

*Primary Examiner*—Holly Baynham

(74) *Attorney, Agent, or Firm*—Sturm & Fix LLP

(57) **CLAIM**

The ornamental design for a modular growing plant support system, as shown and described.

(56) **References Cited**

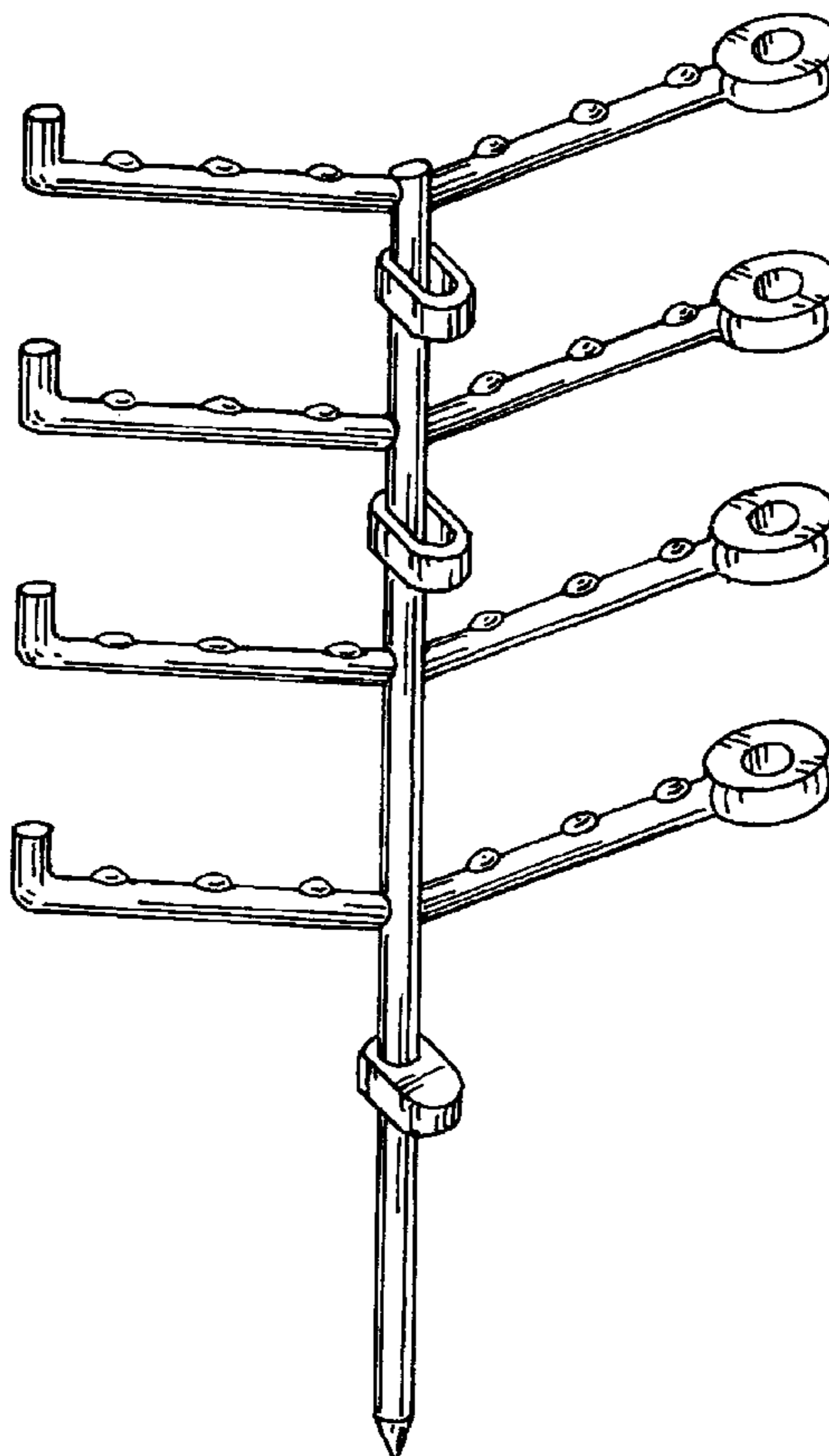
**U.S. PATENT DOCUMENTS**

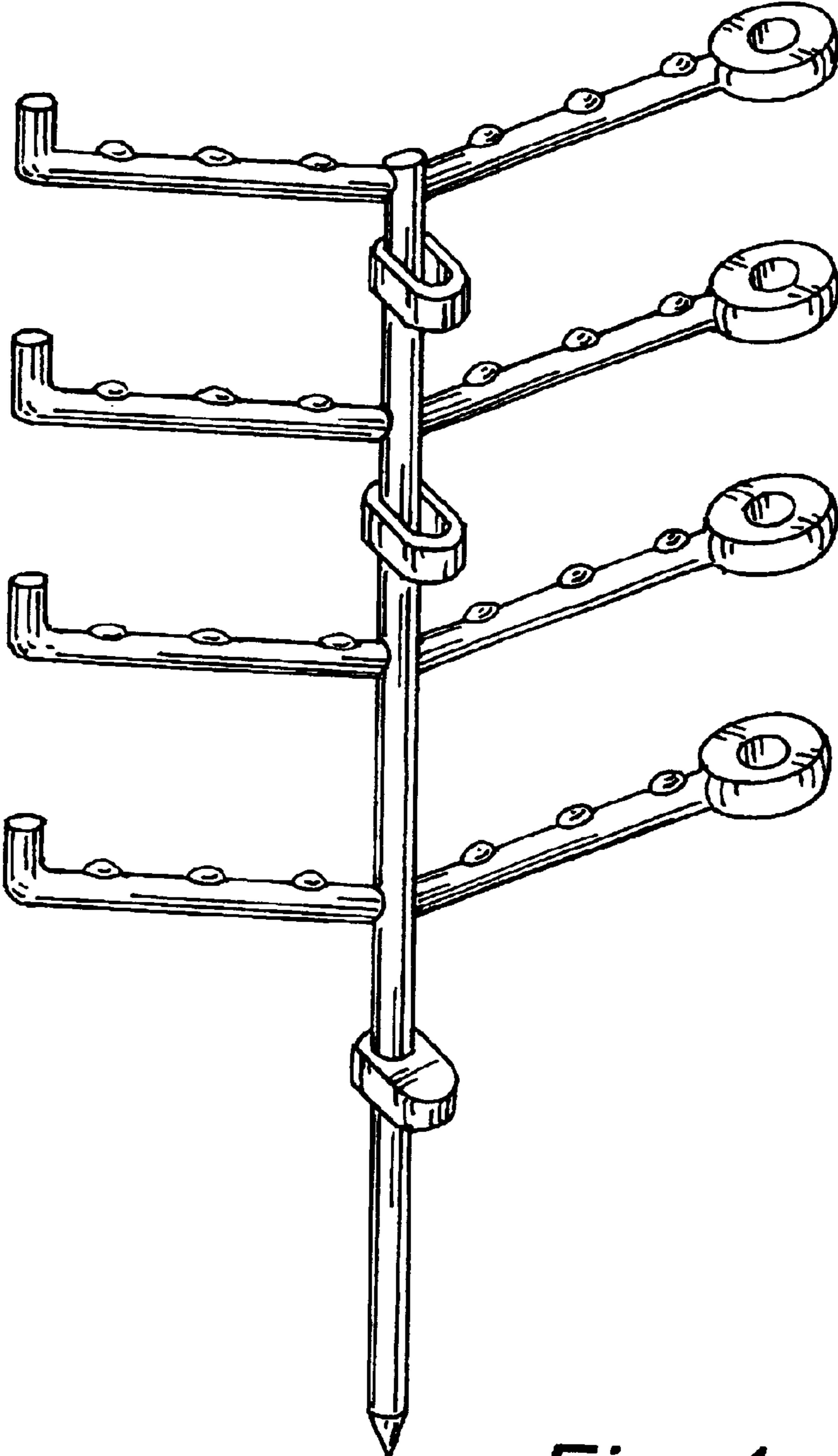
3,014,700 A 12/1961 May, Jr.  
3,041,783 A 7/1962 Pezdek et al.  
3,299,569 A 1/1967 Lemick  
3,793,771 A 2/1974 Slaughter  
4,503,636 A 3/1985 Stuckey  
4,520,590 A \* 6/1985 Schuh ..... 47/43  
5,067,274 A 11/1991 Lewis  
5,179,799 A 1/1993 Hillestad  
5,341,593 A 8/1994 Foreman  
5,595,019 A 1/1997 Foreman  
6,000,172 A 12/1999 Ballarino  
6,088,956 A 7/2000 Rocka

**DESCRIPTION**

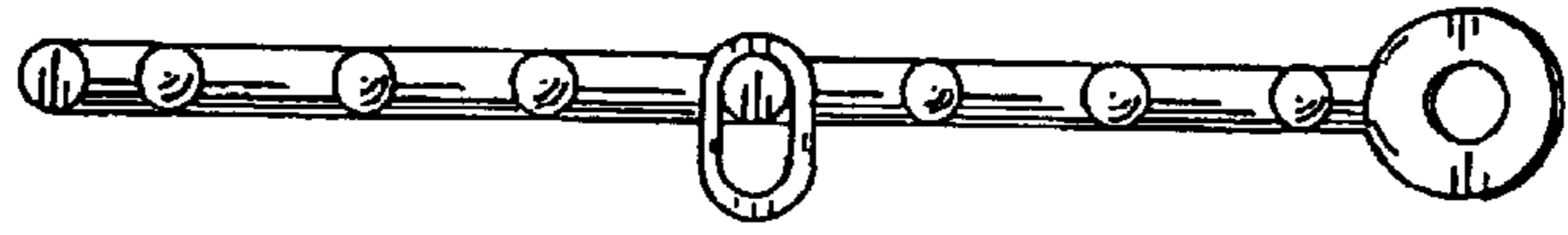
FIG. 1 is a perspective view of the modular growing plant support system showing my new design;  
FIG. 2 is a front elevational view thereof, the rear elevational view being a mirror image thereof;  
FIG. 3 is a left side elevational view thereof;  
FIG. 4 is a right side elevational view thereof;  
FIG. 5 is a top plan view thereof; and,  
FIG. 6 is a bottom plan view thereof.

**1 Claim, 2 Drawing Sheets**

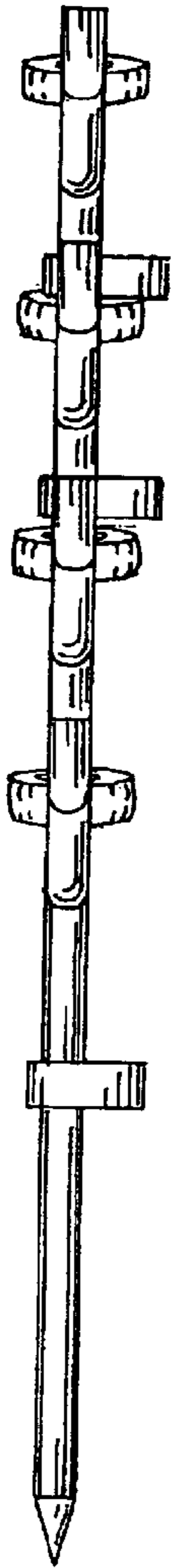




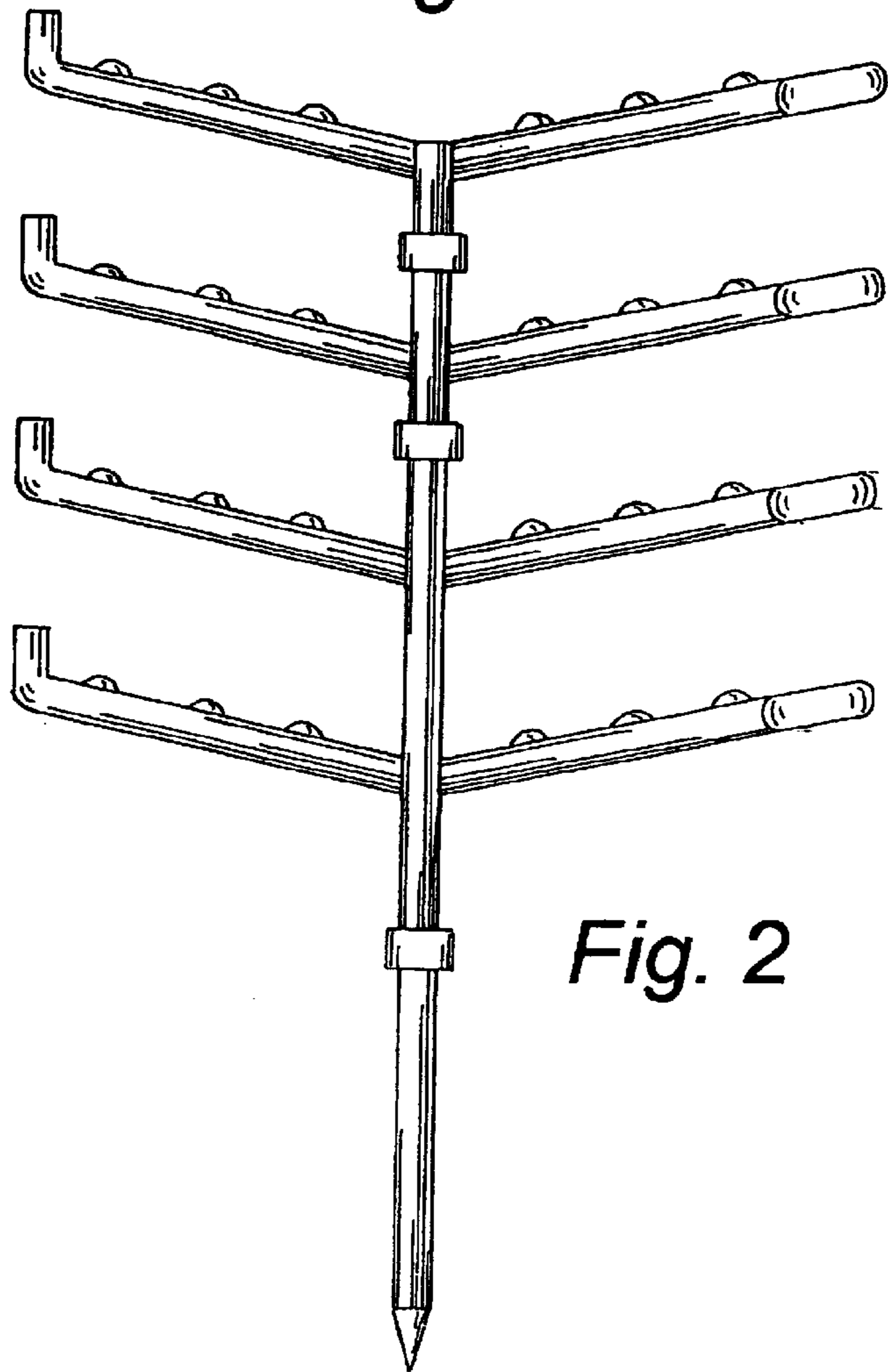
*Fig. 1*



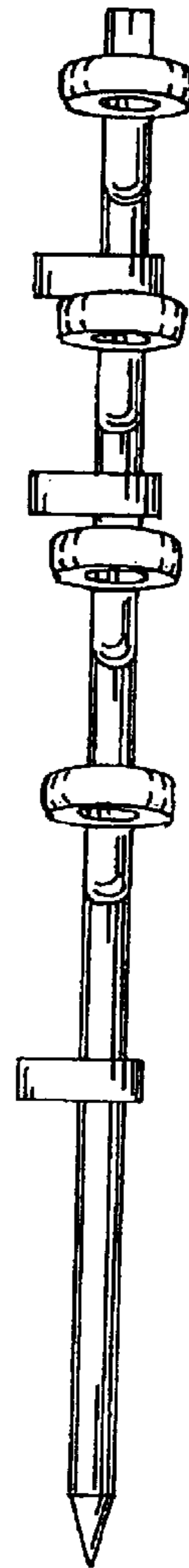
*Fig. 5*



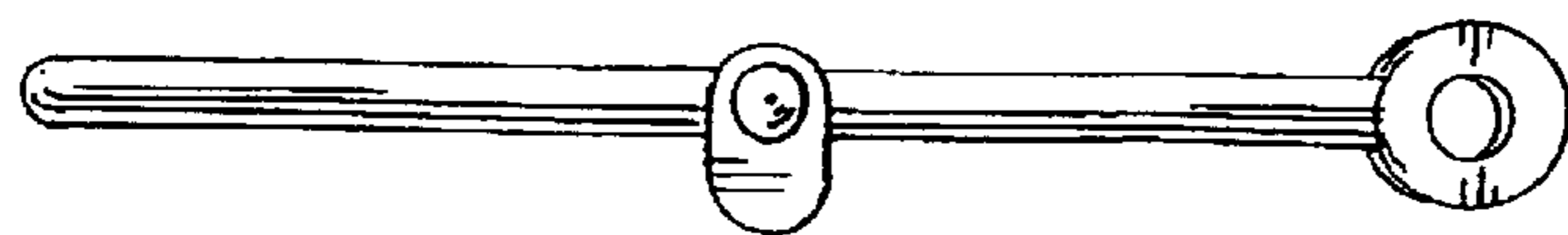
*Fig. 3*



*Fig. 2*



*Fig. 4*



*Fig. 6*