



US00D510841S

(12) **United States Design Patent**
Hsu

(10) **Patent No.:** **US D510,841 S**
(45) **Date of Patent:** **** Oct. 25, 2005**

(54) **IGNITER**

(76) **Inventor:** **Huang-Hsi Hsu**, 8F., No. 14, Lane 252,
Chungshan N. Rd., Sec. 6, Taipei (TW)

(**) **Term:** **14 Years**

(21) **Appl. No.:** **29/206,516**

(22) **Filed:** **Jun. 2, 2004**

(51) **LOC (8) Cl.** **07-99**

(52) **U.S. Cl.** **D7/416**

(58) **Field of Search** D7/416, 417; D27/141,
D27/147, 131, 157, 160, 154, 173-175;
417/234, 411; 126/405, 25 B, 521, 229,
401; 431/153, 253, 255, 258, 266, 256;
361/260; 131/329; D23/415

(56) **References Cited**

U.S. PATENT DOCUMENTS

4,810,173	A	*	3/1989	Thomson et al.	417/411
D327,813	S	*	7/1992	Shike et al.	D7/416
D377,736	S	*	2/1997	Iwagaki et al.	D7/416
D389,699	S	*	1/1998	Hsu	D7/416
5,865,614	A	*	2/1999	Hsu	431/255
D421,876	S	*	3/2000	Hsu	D7/416
D429,445	S	*	8/2000	Sung	D7/416
D435,397	S	*	12/2000	Sung	D7/416
D440,821	S	*	4/2001	Yu	D7/416
D443,474	S	*	6/2001	Shibata et al.	D7/416

D444,998	S	*	7/2001	Inoue	D7/416
D450,534	S	*	11/2001	Wang	D7/416
D462,235	S	*	9/2002	Chevalier et al.	D7/416
D466,370	S	*	12/2002	Kim	D7/416
D467,120	S	*	12/2002	Yu	D7/416
D468,586	S	*	1/2003	Saito et al.	D7/416
D473,103	S	*	4/2003	Sung	D7/416
D482,932	S	*	12/2003	Sher	D7/416
D491,017	S	*	6/2004	Wang	D7/416
D491,766	S	*	6/2004	Hsu	D7/416
D494,415	S	*	8/2004	Sung et al.	D7/416
D494,416	S	*	8/2004	Sung et al.	D7/416
D495,205	S	*	8/2004	Zhou	D7/416

* cited by examiner

Primary Examiner—M. N. Pandozzi
(74) *Attorney, Agent, or Firm*—Bacon & Thomas PLLC

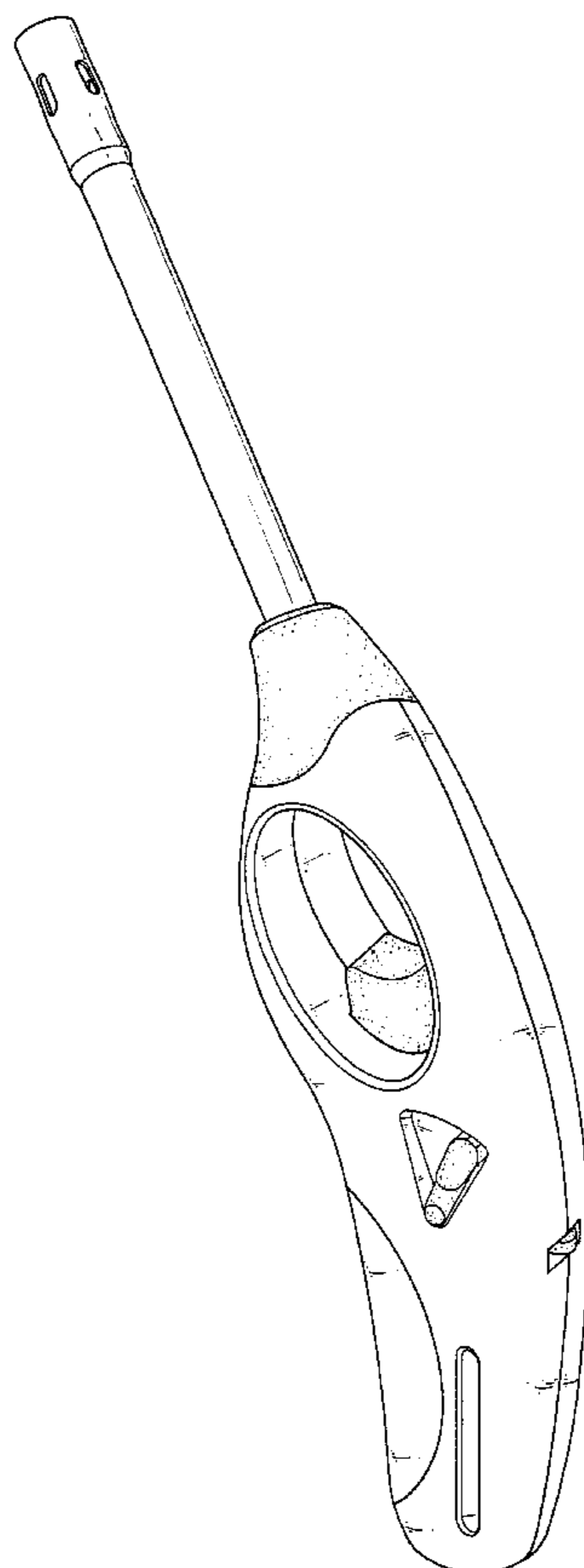
(57) **CLAIM**

The ornamental design for igniter, as shown and described.

DESCRIPTION

FIG. 1 is a perspective view of igniter showing my design;
FIG. 2 is a front elevational view thereof;
FIG. 3 is a rear elevational view thereof;
FIG. 4 is a left side elevational view thereof;
FIG. 5 is a right side elevational view thereof;
FIG. 6 is a top plan view thereof; and,
FIG. 7 is a bottom plan view thereof.

1 Claim, 5 Drawing Sheets



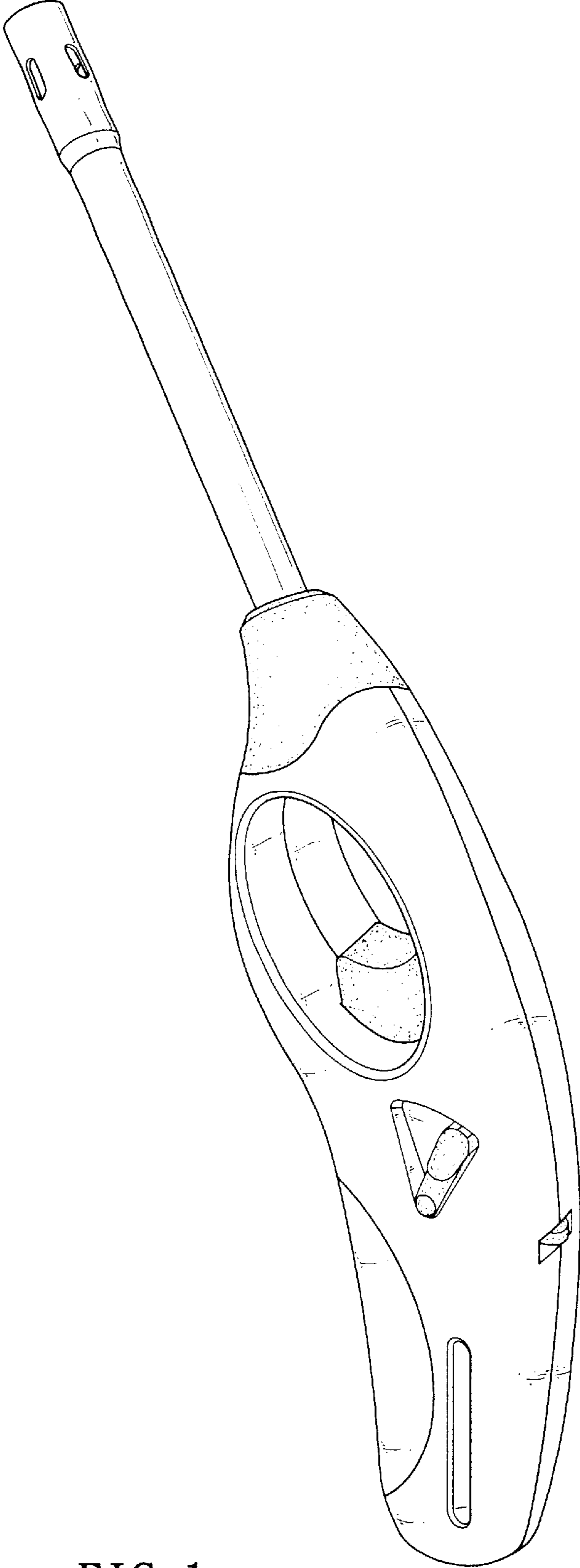


FIG. 1

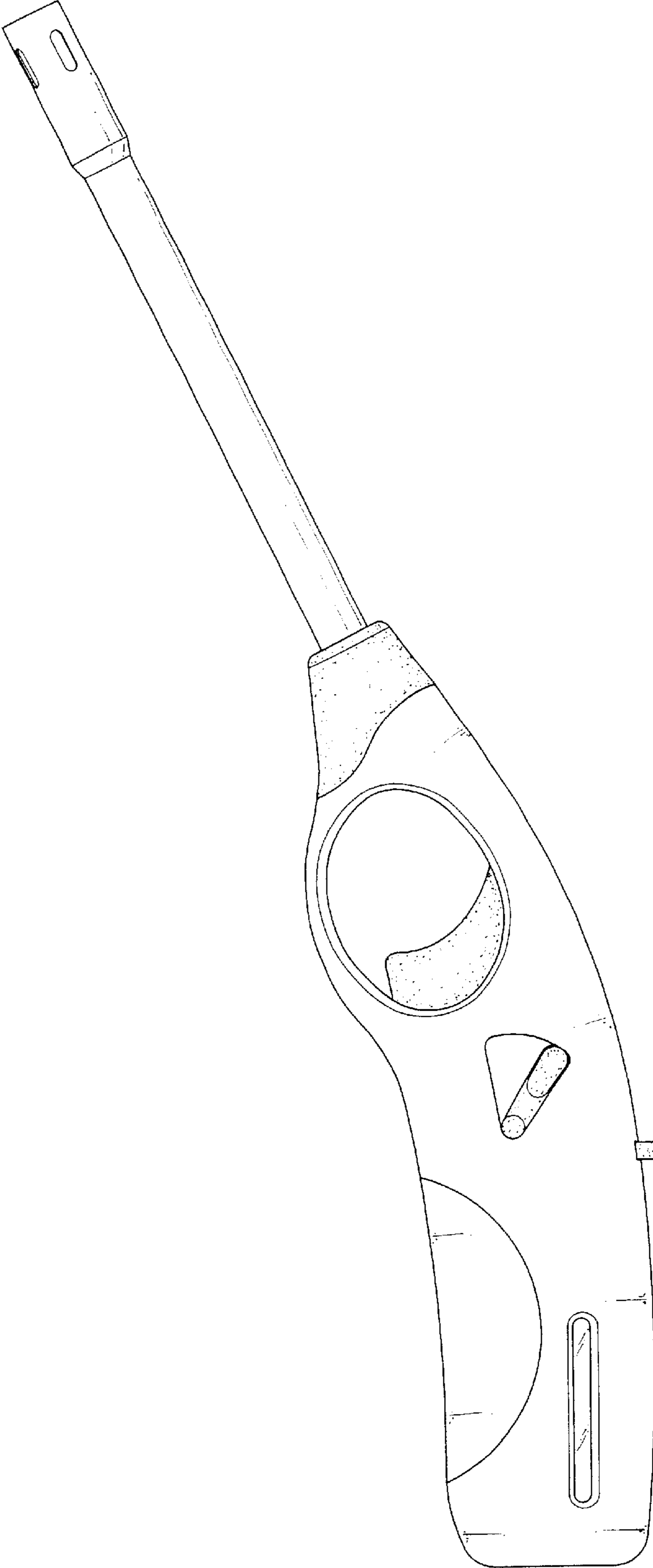


FIG. 2

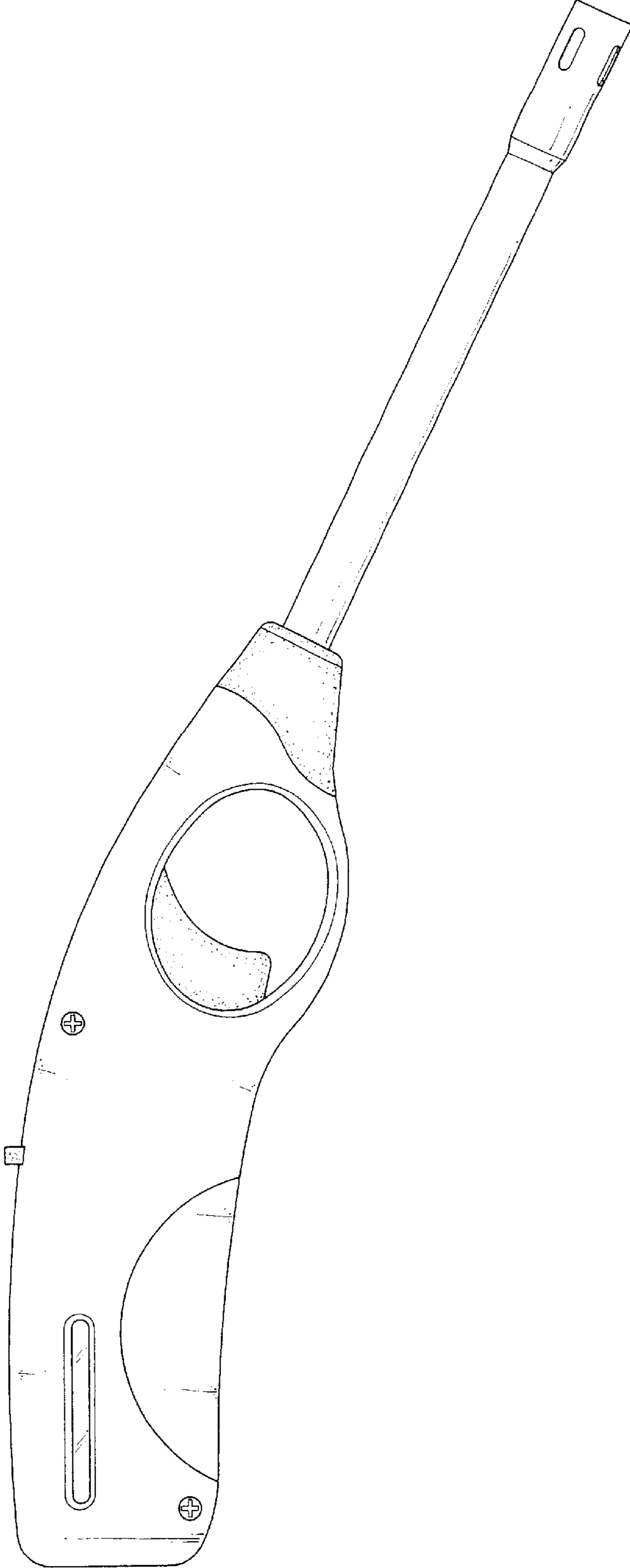


FIG. 3

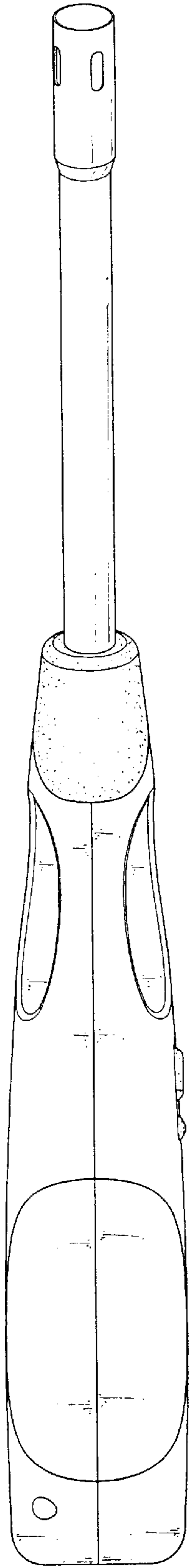


FIG. 4

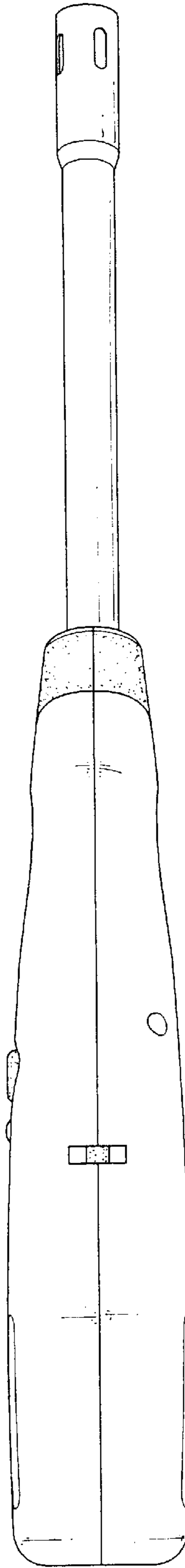


FIG. 5

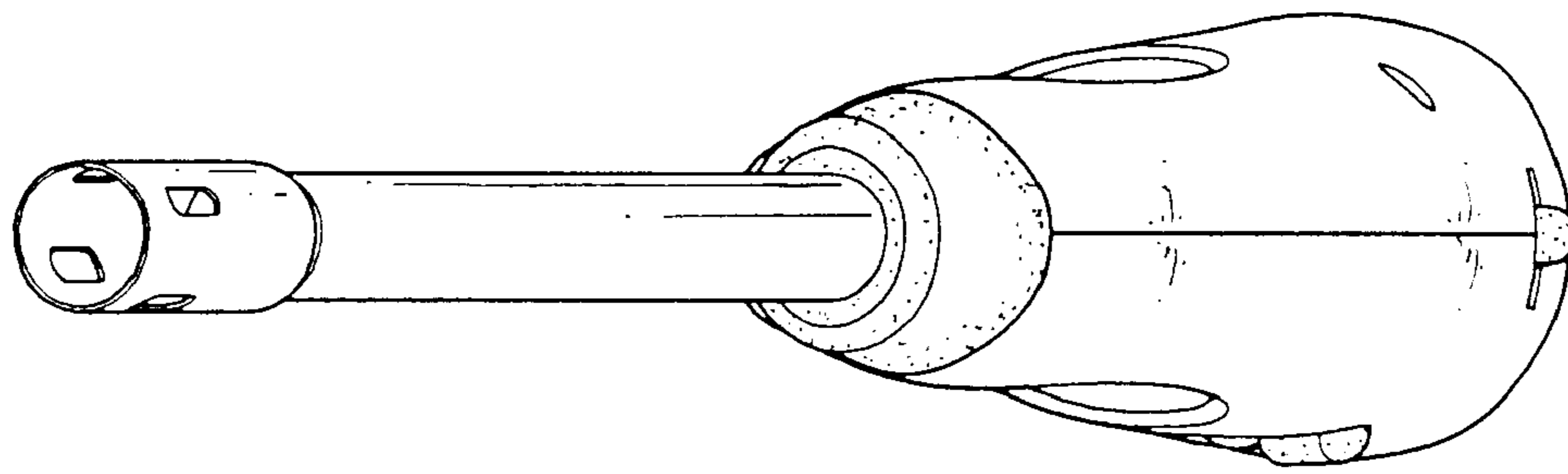


FIG. 6

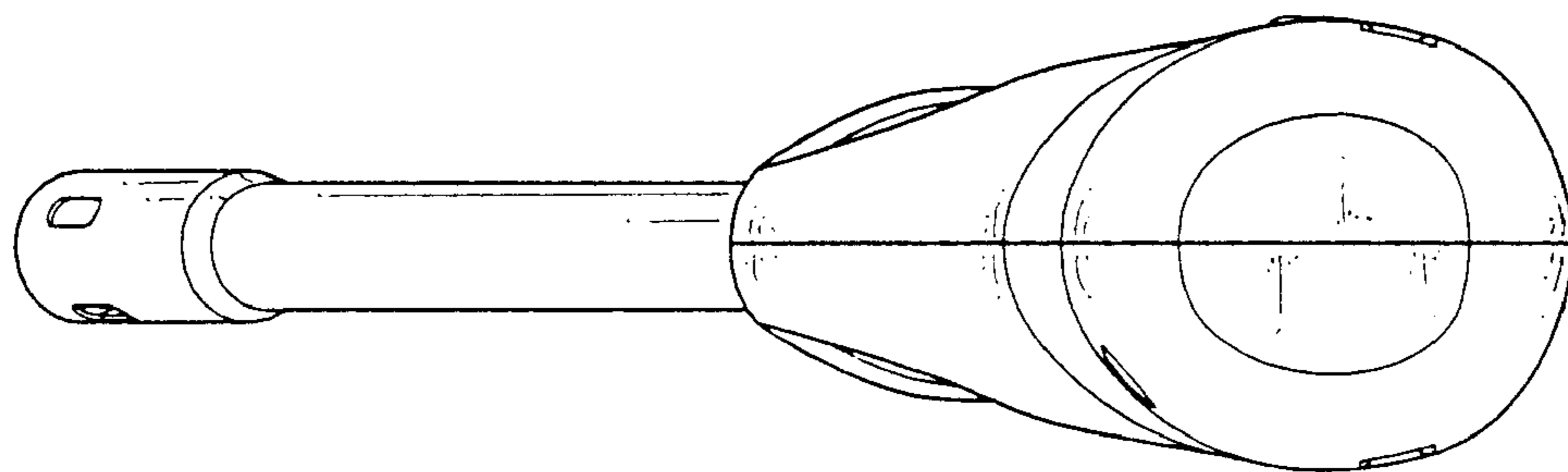


FIG. 7