



US00D510840S

(12) **United States Design Patent**  
**Bodum**

(10) **Patent No.:** **US D510,840 S**  
(45) **Date of Patent:** **\*\* Oct. 25, 2005**

(54) **LIGHTER**

(75) **Inventor:** **Jørgen Bodum, St. Niklausen (CH)**

(73) **Assignee:** **PI-Design AG, Triengen (CH)**

(\*\*) **Term:** **14 Years**

(21) **Appl. No.:** **29/186,598**

(22) **Filed:** **Jul. 21, 2003**

(30) **Foreign Application Priority Data**

Feb. 21, 2003 (DK) ..... DA 2003 00138

(51) **LOC (8) Cl.** ..... **07-99**

(52) **U.S. Cl.** ..... **D7/416**

(58) **Field of Search** ..... D7/416, 417; D27/158,  
D27/154, 141, 157, 159, 130; D29/125-130;  
126/409, 401, 25 B, 229; 132/263; 431/91,  
254, 345, 146, 344, 277, 276, 255

(56) **References Cited**

**U.S. PATENT DOCUMENTS**

D251,072 S	*	2/1979	Stuetzer	.....	D27/154
D258,767 S	*	3/1981	Stutzer	.....	D27/154
D259,062 S	*	4/1981	Stutzer	.....	D27/154
D259,588 S	*	6/1981	Stutzer	.....	D27/154
D260,941 S	*	9/1981	Figur	.....	D27/154
D262,662 S	*	1/1982	Stuetzer et al.	.....	D27/154
4,457,697 A	*	7/1984	Kitabayashi	.....	431/254
4,502,465 A	*	3/1985	Yoshinaga et al.	.....	126/409
D316,008 S	*	4/1991	Norton	.....	D7/416

D352,638 S	*	11/1994	Hsu	.....	D7/416
D447,598 S	*	9/2001	Afrouz	.....	D27/154
D484,742 S	*	1/2004	Kim	.....	D7/416
D489,224 S	*	5/2004	Kwok	.....	D7/416

\* cited by examiner

*Primary Examiner*—M. N. Pandozzi

(74) *Attorney, Agent, or Firm*—Nath & Associates PLLC;  
Gregory B. Kang; Derek Richmond

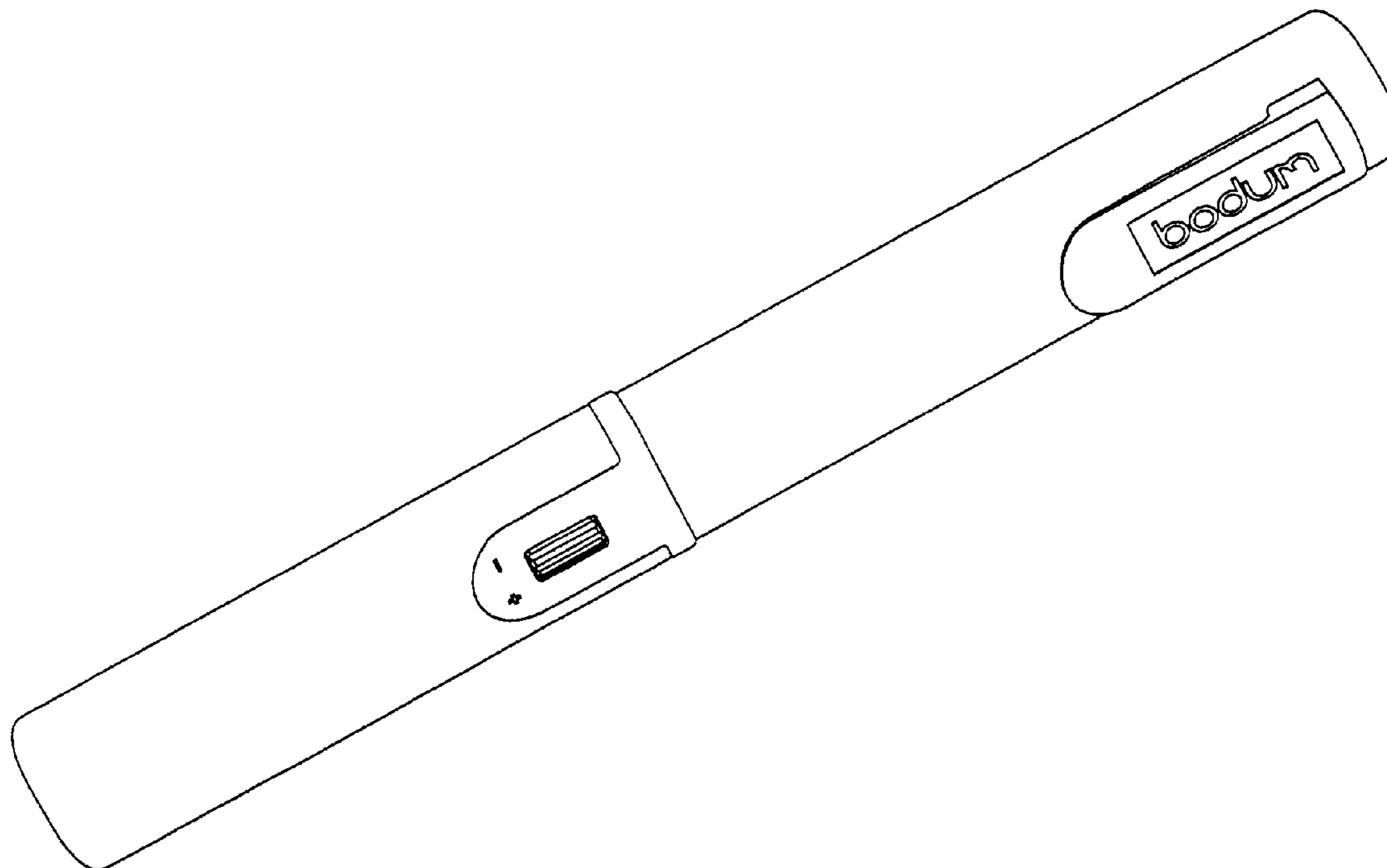
(57) **CLAIM**

The ornamental design for a lighter, as shown and described.

**DESCRIPTION**

FIG. 1 is a perspective view of the lighter;  
 FIG. 2 is a front view thereof;  
 FIG. 3 is a rear view thereof;  
 FIG. 4 is a right-side view thereof;  
 FIG. 5 is a left-side view thereof;  
 FIG. 6 is a top plan view thereof;  
 FIG. 7 is a bottom plan view thereof;  
 FIG. 8 is a perspective view of the lighter with the cap removed for ease of illustration;  
 FIG. 9 is a front view thereof;  
 FIG. 10 is a rear view thereof;  
 FIG. 11 is a right-side view thereof;  
 FIG. 12 is a left-side view thereof;  
 FIG. 13 is a top plan view thereof; and,  
 FIG. 14 is a bottom plan view thereof.

**1 Claim, 14 Drawing Sheets**



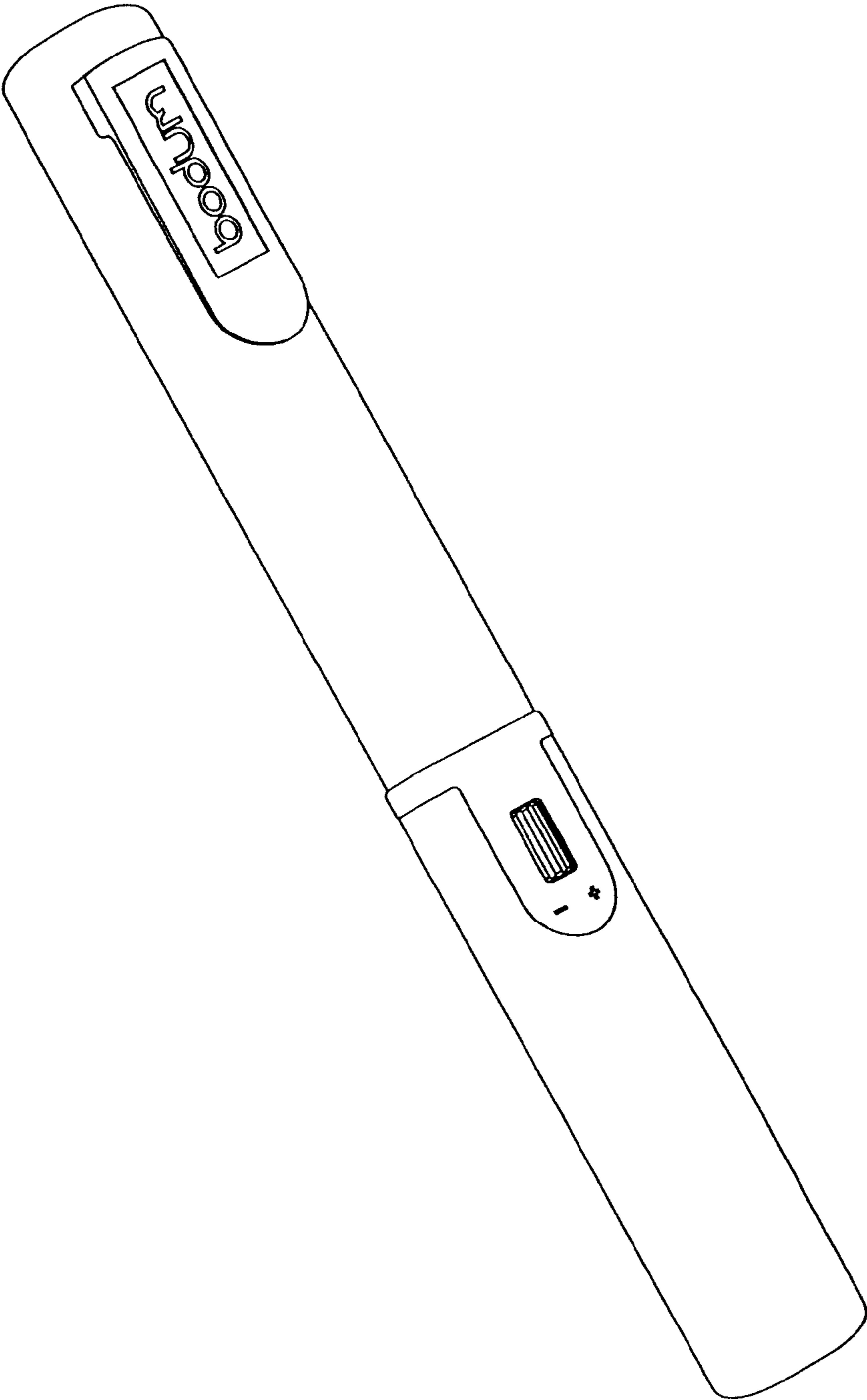


Fig. 1

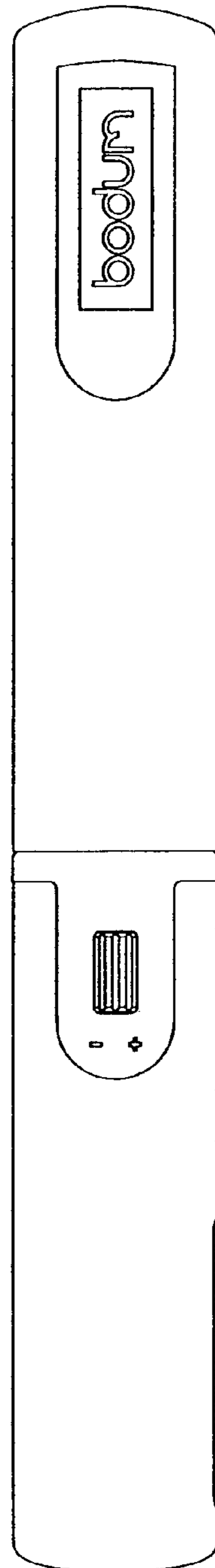


Fig. 2

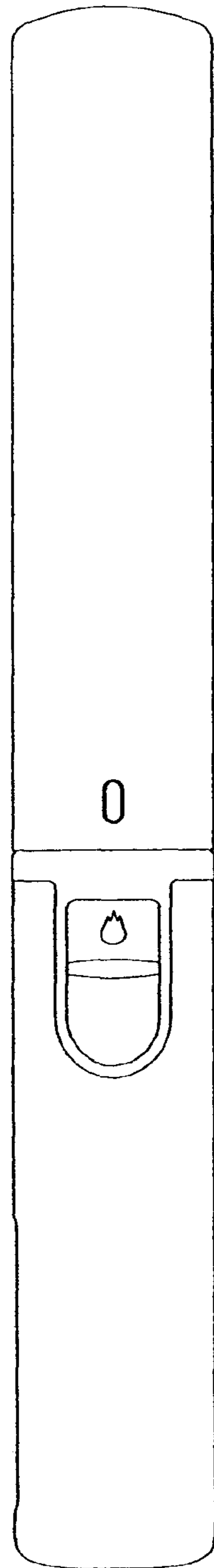


Fig. 3

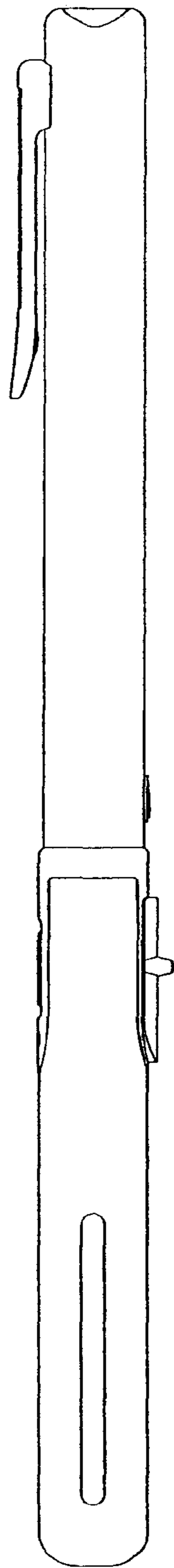


Fig. 4

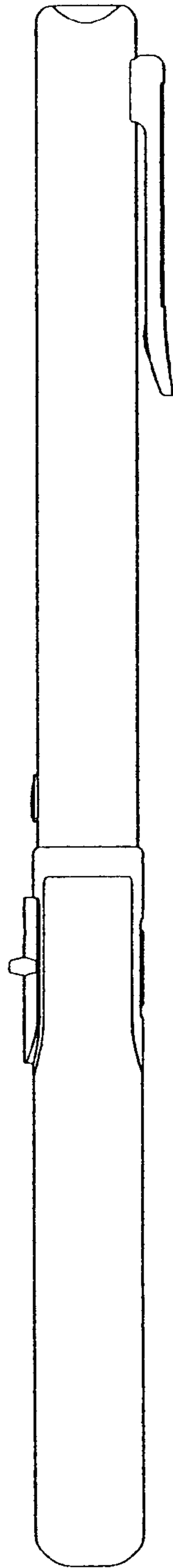


Fig. 5

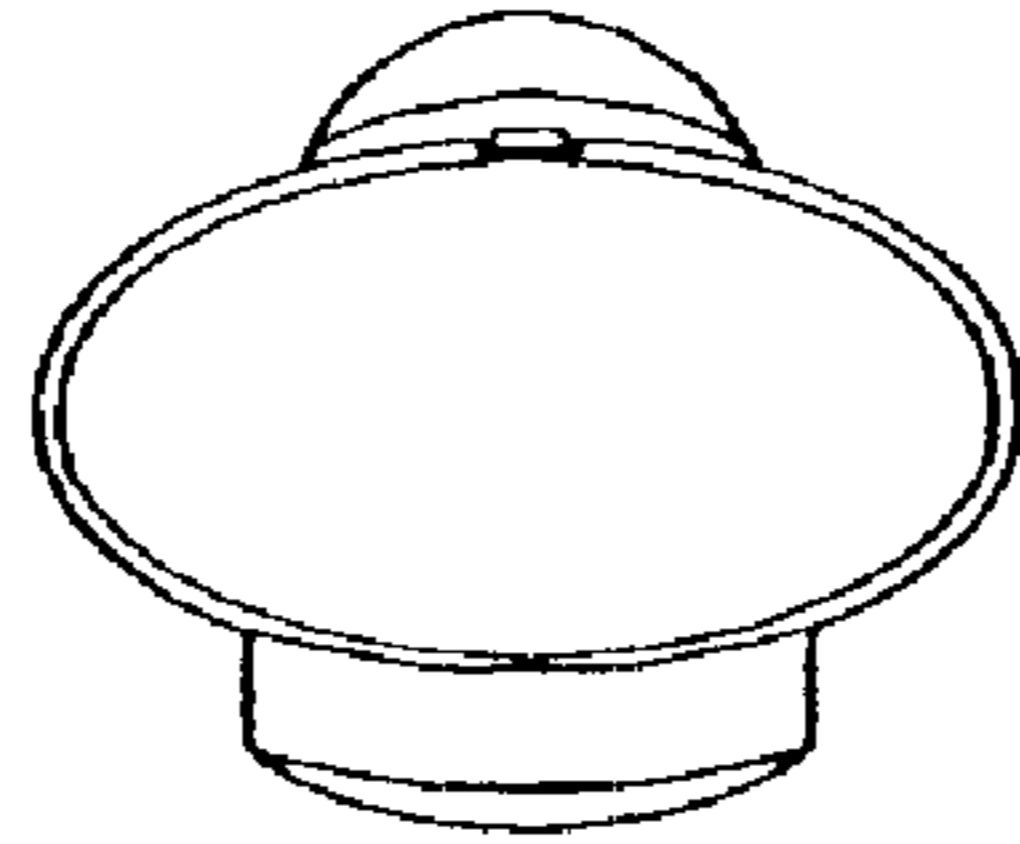


Fig. 6

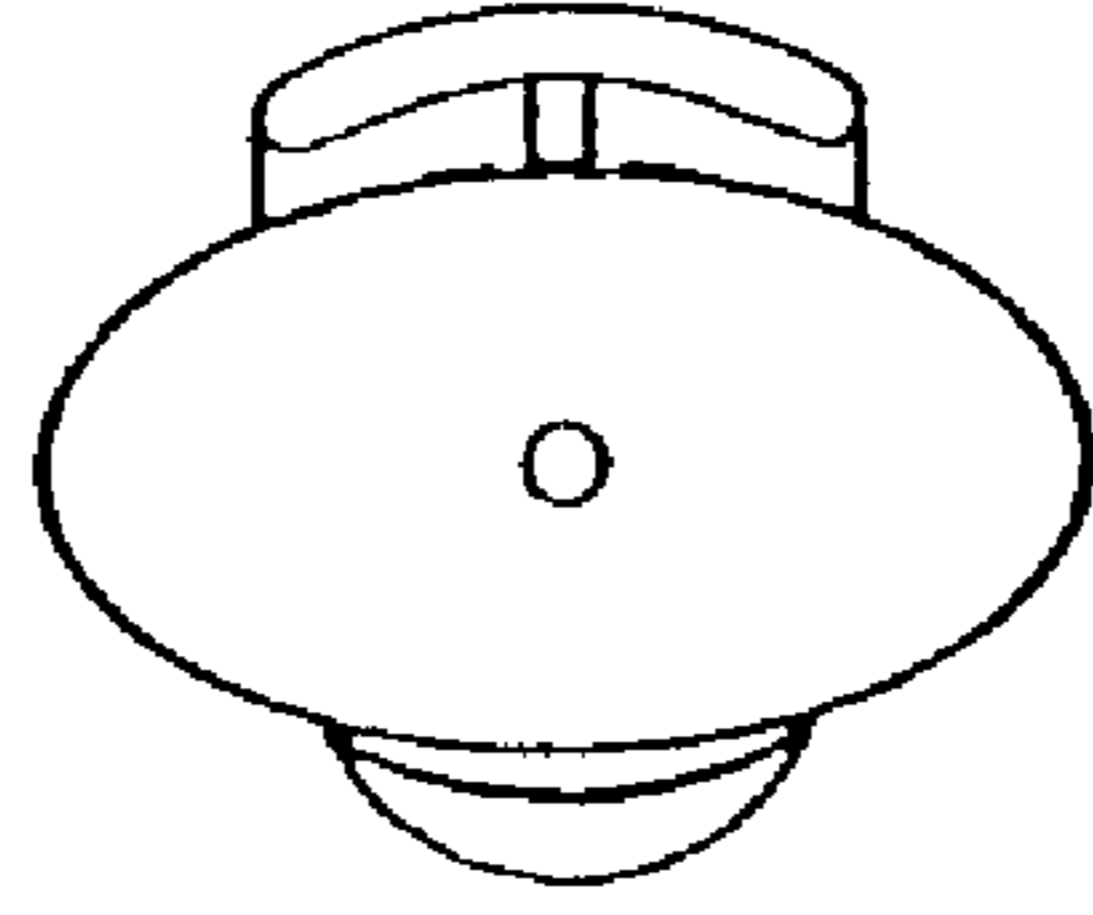


Fig. 7



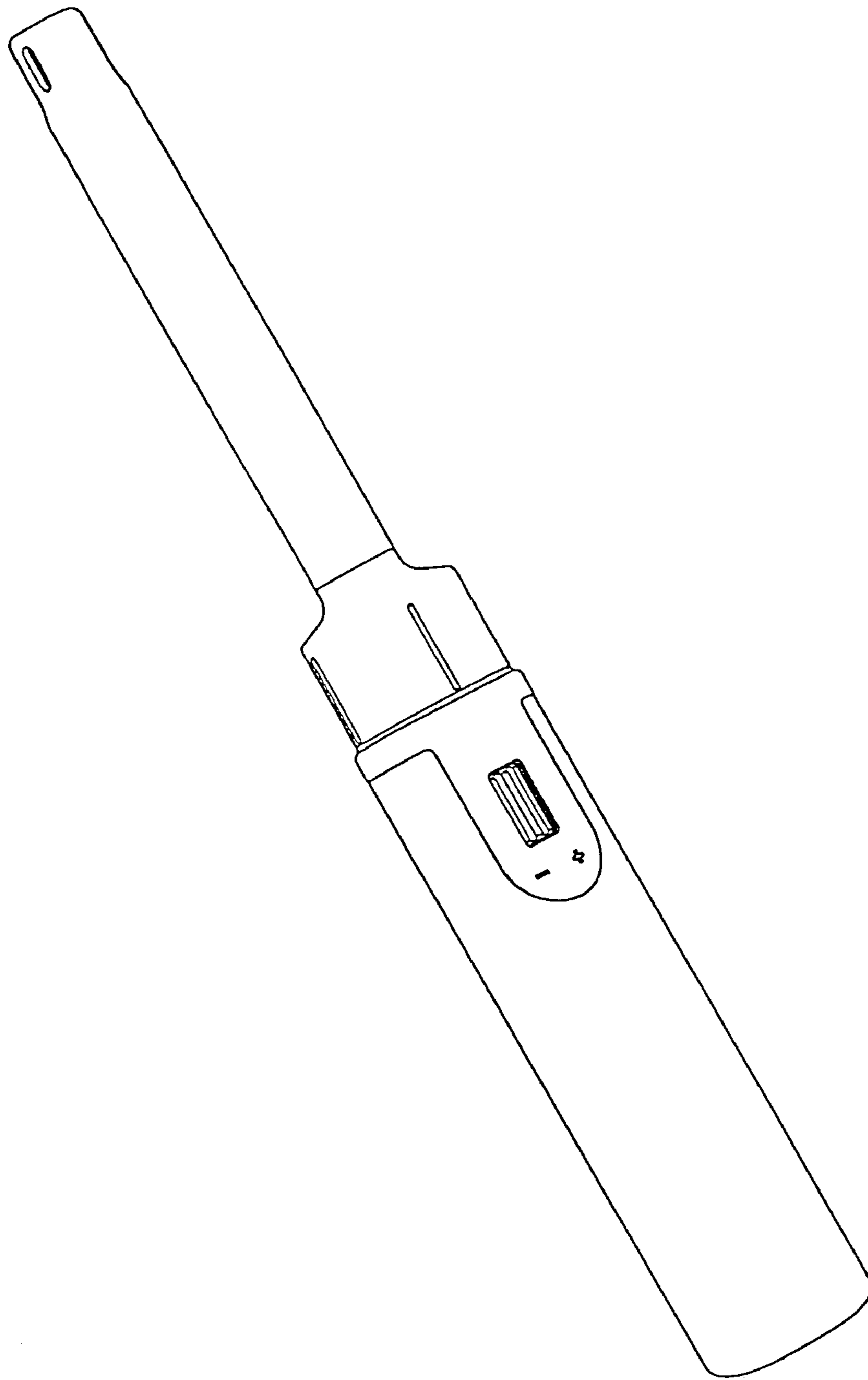


Fig. 8

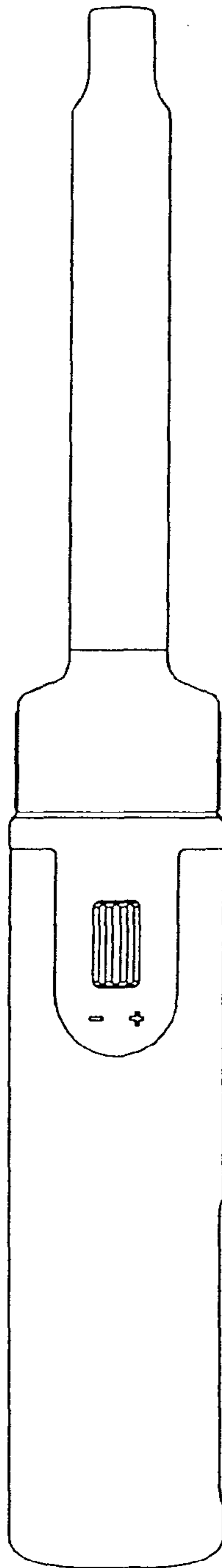


Fig. 9

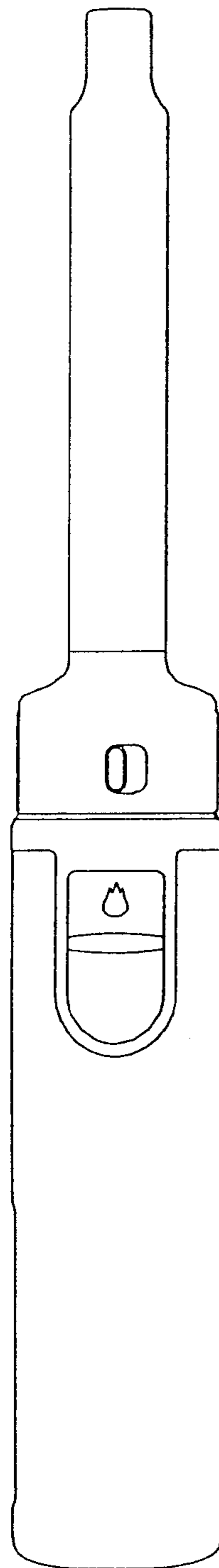


Fig. 10

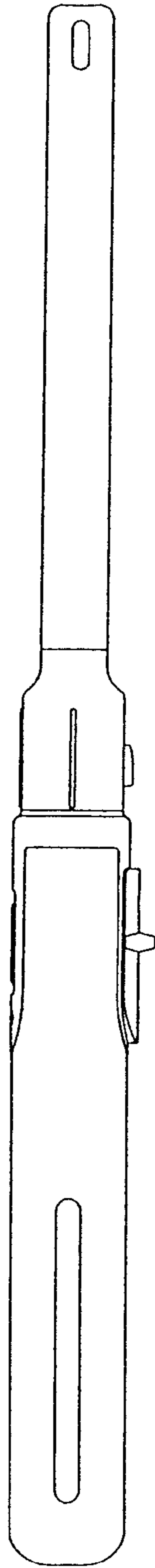


Fig. 11

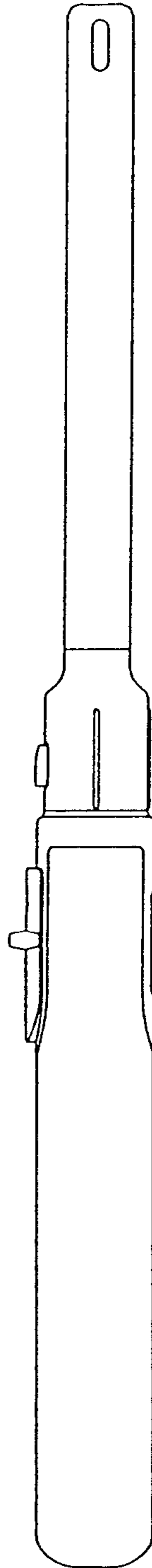


Fig. 12

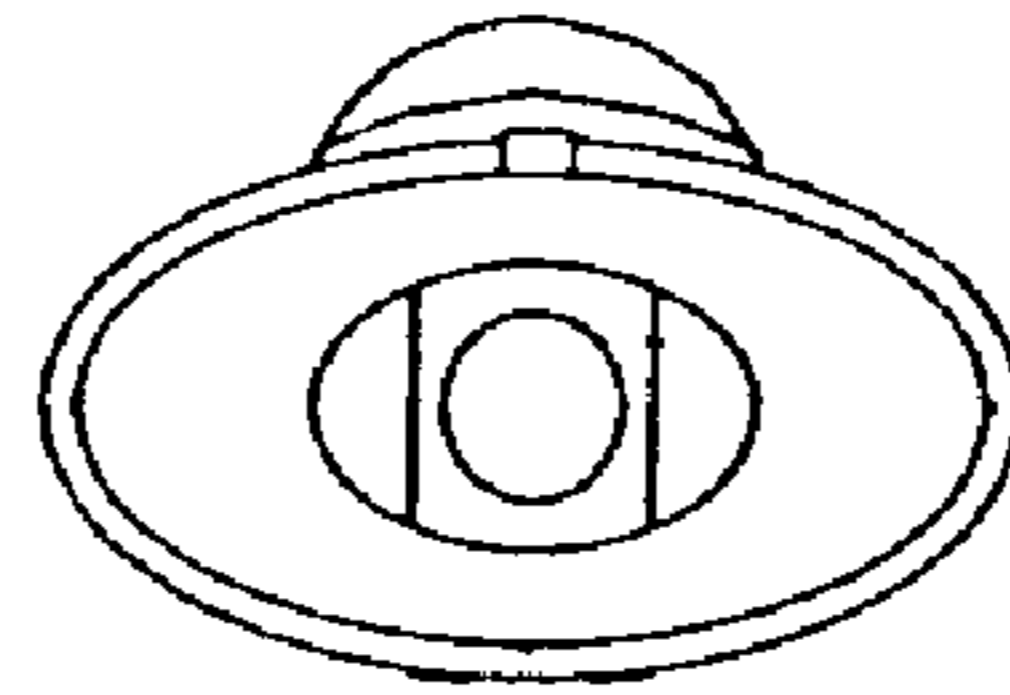


Fig. 13

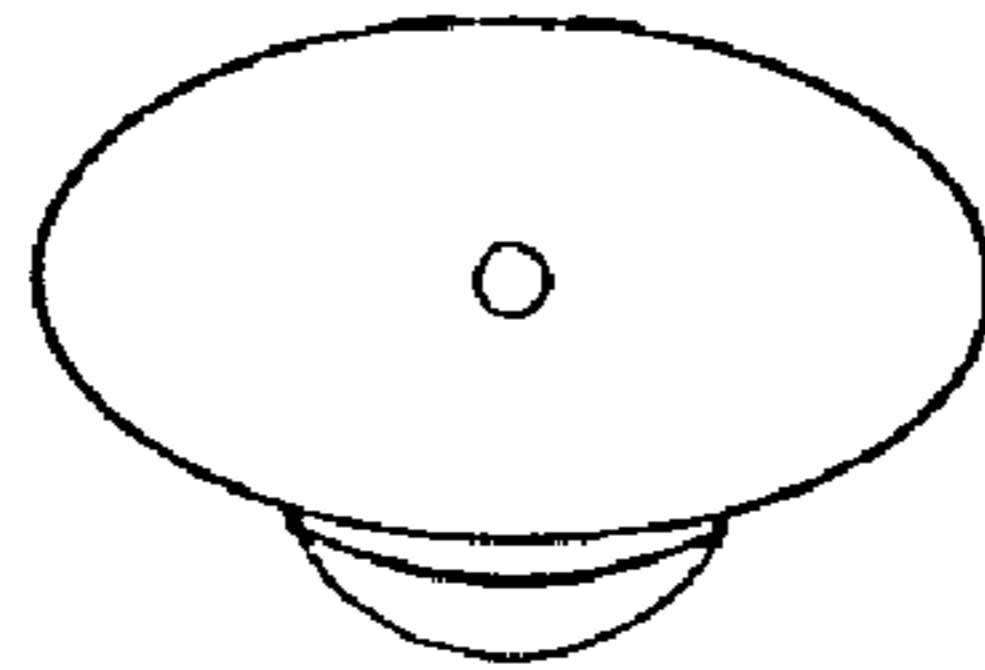


Fig. 14