



US00D510837S

(12) **United States Design Patent** (10) **Patent No.:** **US D510,837 S**  
**Lloyd et al.** (45) **Date of Patent:** **\*\* Oct. 25, 2005**

(54) **BLENDER**

(75) Inventors: **James Taylor Lloyd**, Stamford, CT (US); **Duncan Copland**, Newton, PA (US)

(73) Assignee: **Conair Corporation**, Stamford, CT (US)

(\*\*) Term: **14 Years**

(21) Appl. No.: **29/207,666**

(22) Filed: **Jun. 16, 2004**

(51) **LOC (8) Cl.** ..... **31-00**

(52) **U.S. Cl.** ..... **D7/376; D7/379**

(58) **Field of Search** ..... **D7/376-386; 366/129, 366/130, 197, 199, 204, 205, 314, 331, 341, 343**

D361,241 S 8/1995 Littmann  
D362,586 S 9/1995 Deros  
5,567,047 A 10/1996 Fritsch  
D383,938 S 9/1997 Littmann  
D392,504 S 3/1998 Lallemand  
D394,367 S \* 5/1998 Littmann ..... D7/379  
D396,775 S 8/1998 Arita et al.  
D398,809 S 9/1998 Henderson  
5,810,472 A 9/1998 Penaranda et al.  
D400,756 S 11/1998 Henderson  
5,836,684 A 11/1998 Safont et al.  
5,863,118 A 1/1999 Ackels et al.  
D408,214 S 4/1999 Cousins  
5,979,850 A 11/1999 Hippen et al.  
D421,872 S 3/2000 Wong  
D426,105 S 6/2000 Littmann  
D437,184 S 2/2001 Cruz  
6,186,056 B1 2/2001 Bruno et al.  
6,186,656 B1 2/2001 Penaranda et al.  
6,193,404 B1 2/2001 Calange

(Continued)

(56) **References Cited**

**U.S. PATENT DOCUMENTS**

3,117,769 A 1/1964 Spingler  
3,299,924 A 1/1967 Hanschitz  
3,333,830 A 8/1967 Spingler  
4,405,998 A 9/1983 Brison  
D271,176 S 11/1983 Zimnowicz  
4,575,255 A 3/1986 Kafka  
D291,767 S 9/1987 Osit  
4,813,624 A 3/1989 Williams  
4,850,699 A 7/1989 Rebordosa  
D308,001 S 5/1990 Ricard  
D314,489 S 2/1991 van Deursen et al.  
D322,008 S 12/1991 Littmann  
D323,955 S 2/1992 Rixen  
5,094,542 A 3/1992 Engels et al.  
D327,603 S 7/1992 van Asten  
5,141,392 A 8/1992 Uvemo  
D345,075 S 3/1994 Saltet  
D345,076 S 3/1994 Saltet  
5,316,382 A 5/1994 Penaranda et al.  
D348,587 S 7/1994 Saltet  
5,366,286 A 11/1994 Ruttimann  
5,368,384 A 11/1994 Duncan et al.  
D358,293 S 5/1995 Sebastia

*Primary Examiner*—Caron D. Veynar  
(74) *Attorney, Agent, or Firm*—Ohlandt, Greeley, Ruggiero & Perle, L.L.P.

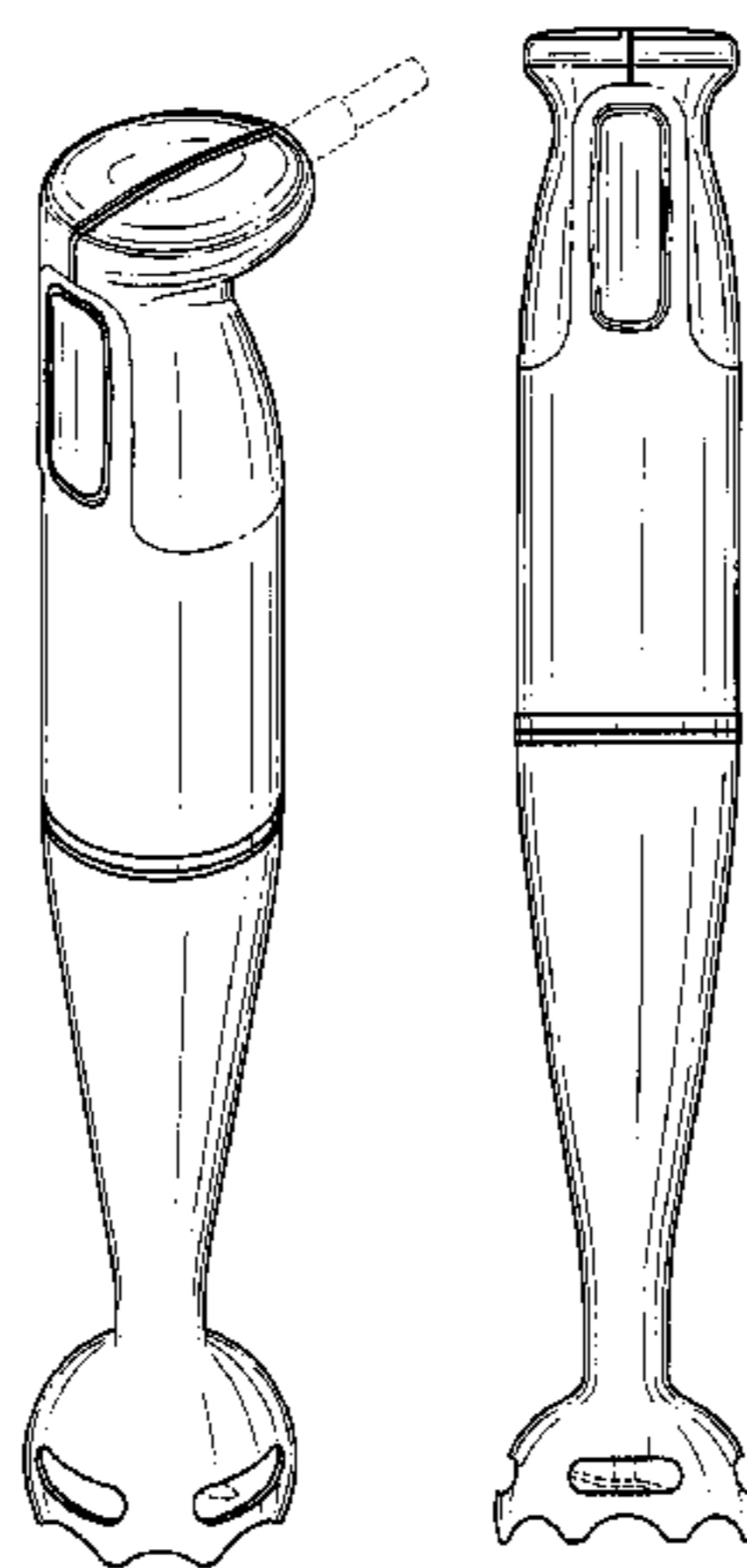
(57) **CLAIM**

The ornamental design for a blender, as shown and described.

**DESCRIPTION**

FIG. 1 is a perspective view of a blender showing our new design;  
FIG. 2 is a front view of the blender of FIG. 1;  
FIG. 3 is a left side elevation view of the blender of FIG. 2;  
FIG. 4 is a right side elevation view of the blender of FIG. 3;  
FIG. 5 is a rear view of the blender of FIG. 2;  
FIG. 6 is a top view of the blender of FIG. 1; and,  
FIG. 7 is a bottom plan view of the blender of FIG. 1.  
The broken lines showing a power supply cord, blender blade and bottom surface shown in FIGS. 1-7 are for illustrative purposes only and form no part of the claimed design.

**1 Claim, 2 Drawing Sheets**



# US D510,837 S

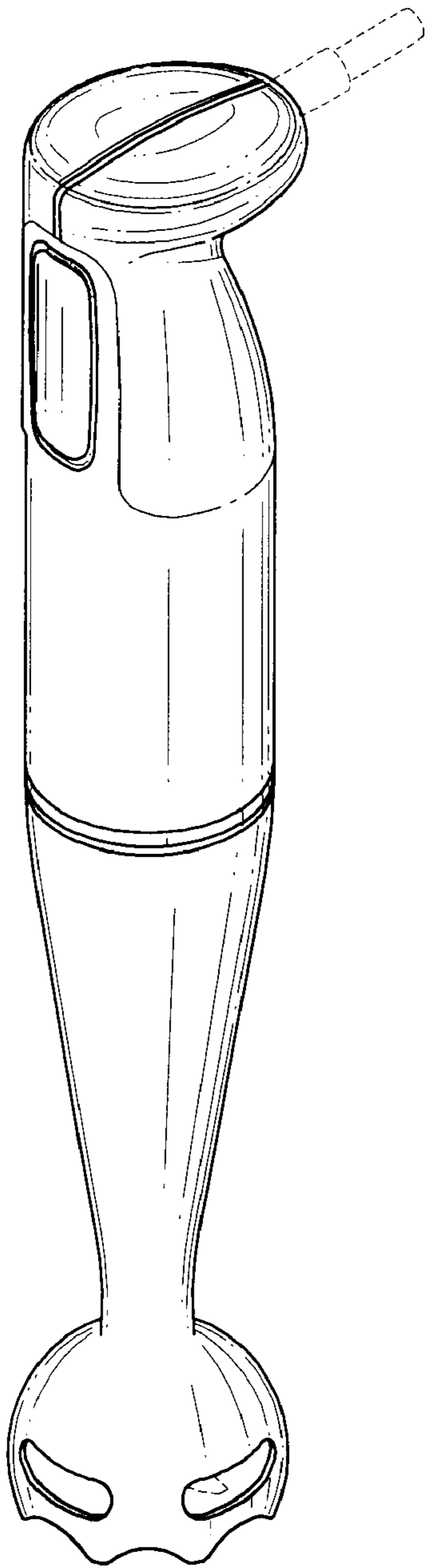
Page 2

---

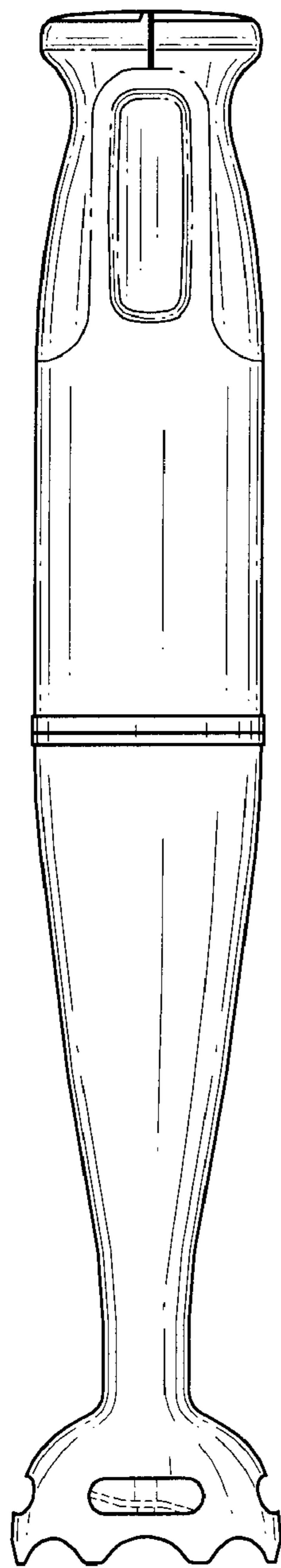
## U.S. PATENT DOCUMENTS

D447,380 S	9/2001	Feil	6,719,450 B2	4/2004	Glucksman et al.
6,293,691 B1	9/2001	Rebordosa et al.	D494,410 S	8/2004	Stuart et al.
D456,206 S	4/2002	Feil	2002/0034121 A1	3/2002	Rebordosa et al.
6,398,403 B1	6/2002	Rebordosa et al.	2003/0156899 A1	8/2003	Penaranda et al.
6,523,990 B1	2/2003	Lee	2003/0198124 A1	10/2003	Glucksman et al.
D485,729 S	1/2004	Patton et al.			

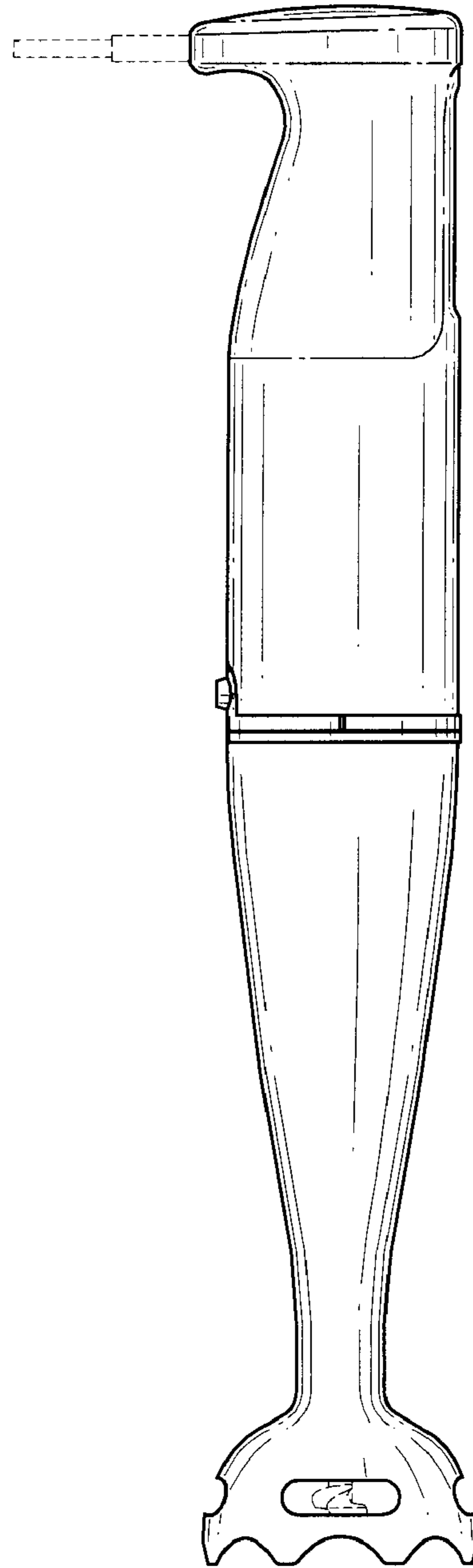
\* cited by examiner



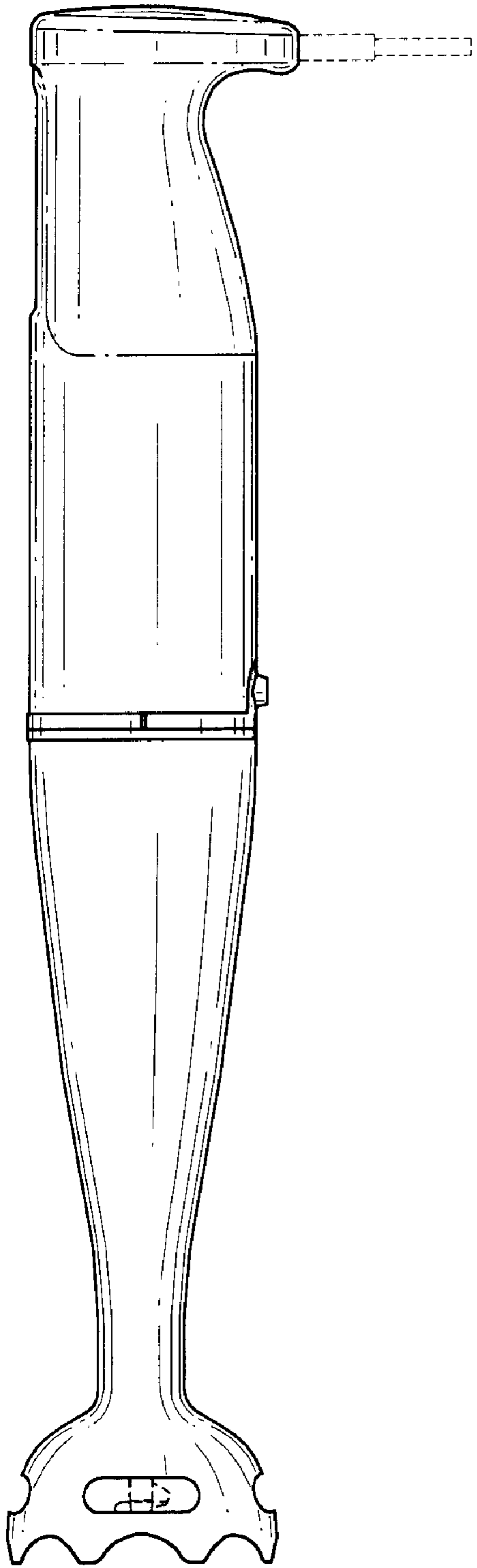
*FIG. 1*



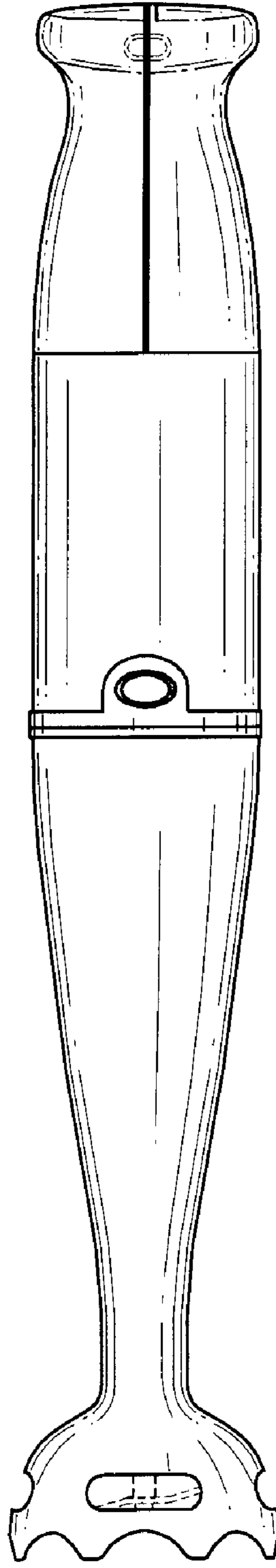
*FIG. 2*



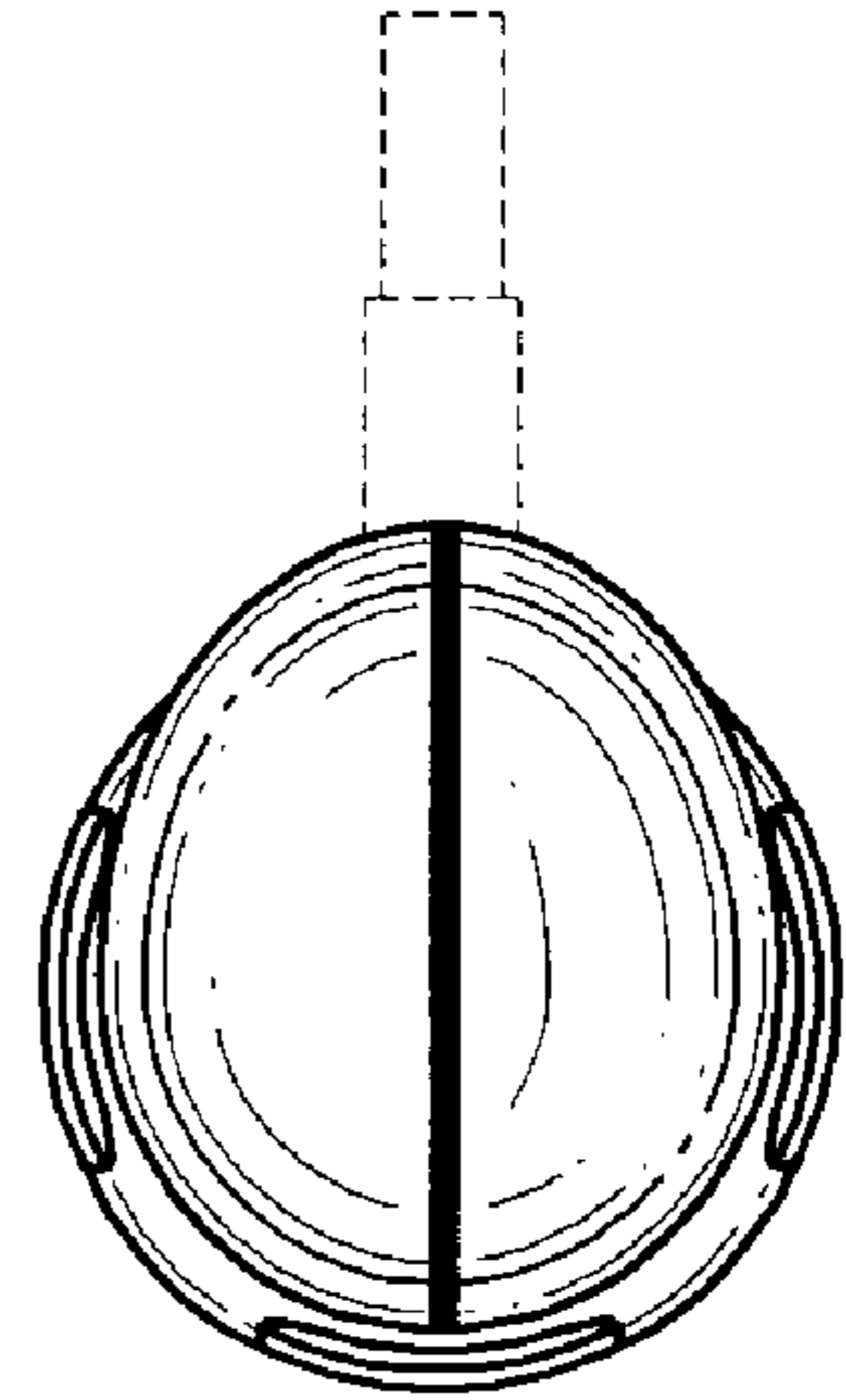
*FIG. 3*



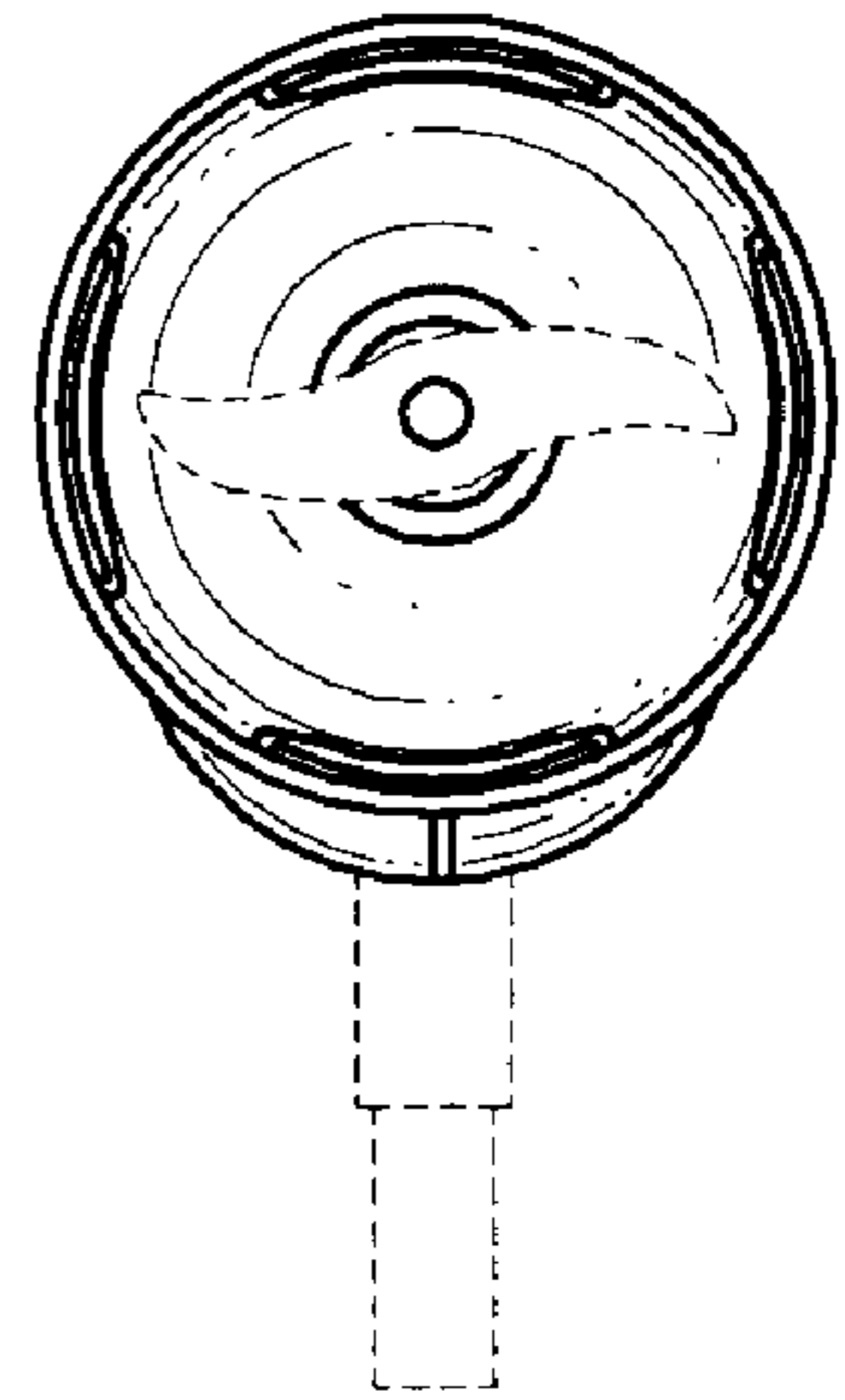
*FIG. 4*



*FIG. 5*



*FIG. 6*



*FIG. 7*