



US00D510836S

(12) **United States Design Patent**  
**Pai**

(10) **Patent No.:** **US D510,836 S**  
(45) **Date of Patent:** **\*\* Oct. 25, 2005**

(54) **BARBECUE GRILL**

(76) **Inventor:** **Lucas Pai**, 19F. -1, No. 159, Sec. 1  
Chung-Kang Rd., West Dist., Taichung  
City (TW)

(\*\*) **Term:** **14 Years**

(21) **Appl. No.:** **29/198,766**

(22) **Filed:** **Feb. 5, 2004**

(51) **LOC (8) Cl.** ..... **07-02**

(52) **U.S. Cl.** ..... **D7/337**

(58) **Field of Search** ..... D7/332, 334-337,  
D7/402-405, 346, 362-367; 126/25 R,  
25 A, 25 AA, 40, 41 R, 38-39 R, 50, 304 R,  
305, 9 R, 19 M, 245; 108/115; 99/450;  
219/451.1, 452.11, 455.11, 385, 520, 450.1;  
248/129, 188.6, 250, 439

(56) **References Cited**

**U.S. PATENT DOCUMENTS**

D255,096 S \* 5/1980 Etelson ..... D9/666  
D281,042 S \* 10/1985 Antoni et al. .... D7/539  
D308,021 S \* 5/1990 Natori ..... D9/666  
D455,598 S \* 4/2002 Pai ..... D7/337  
D461,360 S \* 8/2002 Bossler ..... D7/337

D464,525 S \* 10/2002 Pai ..... D7/337  
D464,844 S \* 10/2002 Pai ..... D7/337  
D468,151 S \* 1/2003 Yeh et al. .... D7/337  
D470,012 S \* 2/2003 Chung ..... D7/402  
D498,114 S \* 11/2004 Zhang ..... D7/337  
D499,299 S \* 12/2004 Zhang ..... D7/337  
D503,868 S \* 4/2005 Pai ..... D7/337

\* cited by examiner

*Primary Examiner*—Ruth McInroy

(74) *Attorney, Agent, or Firm*—Egbert Law Offices

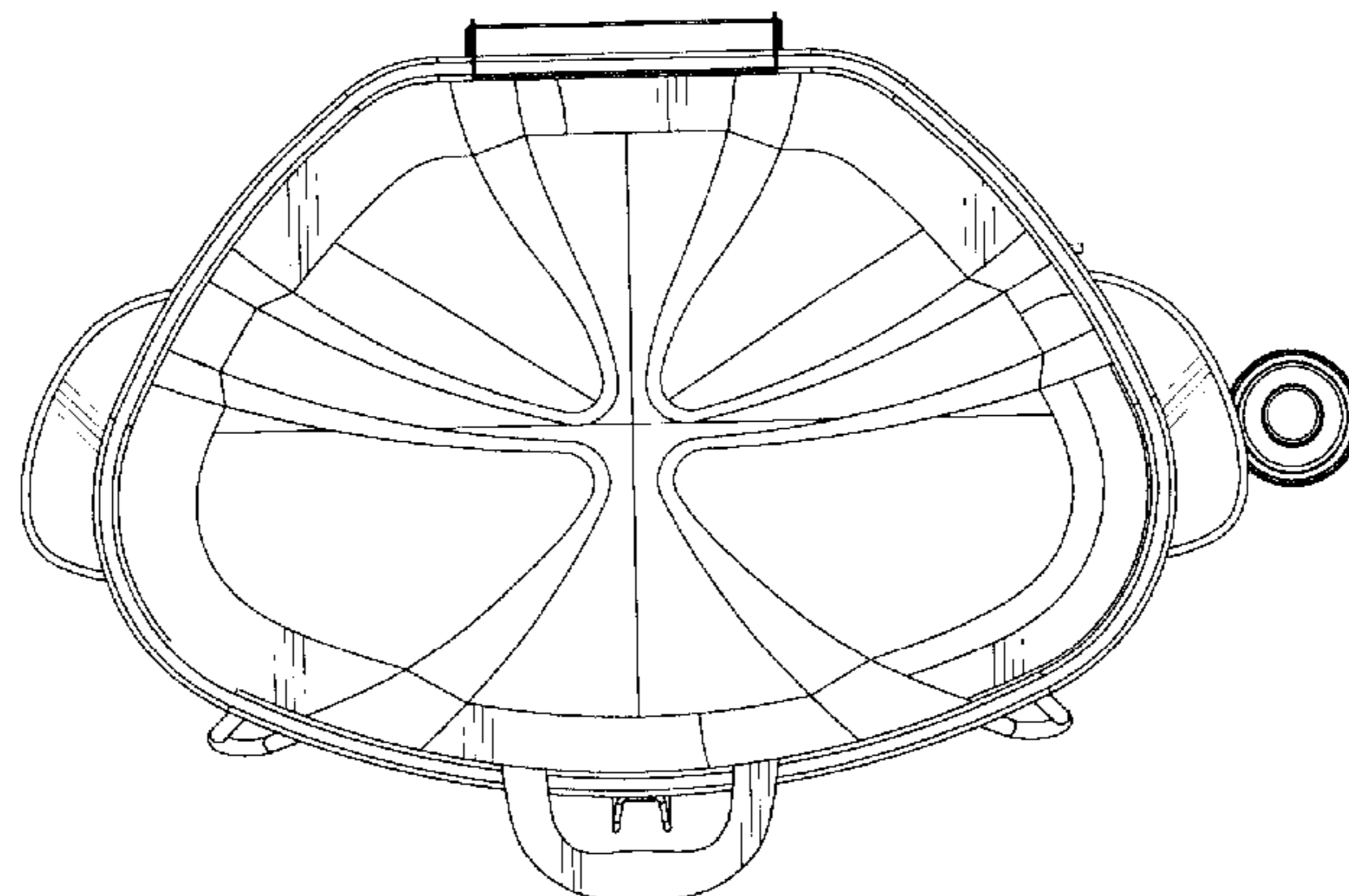
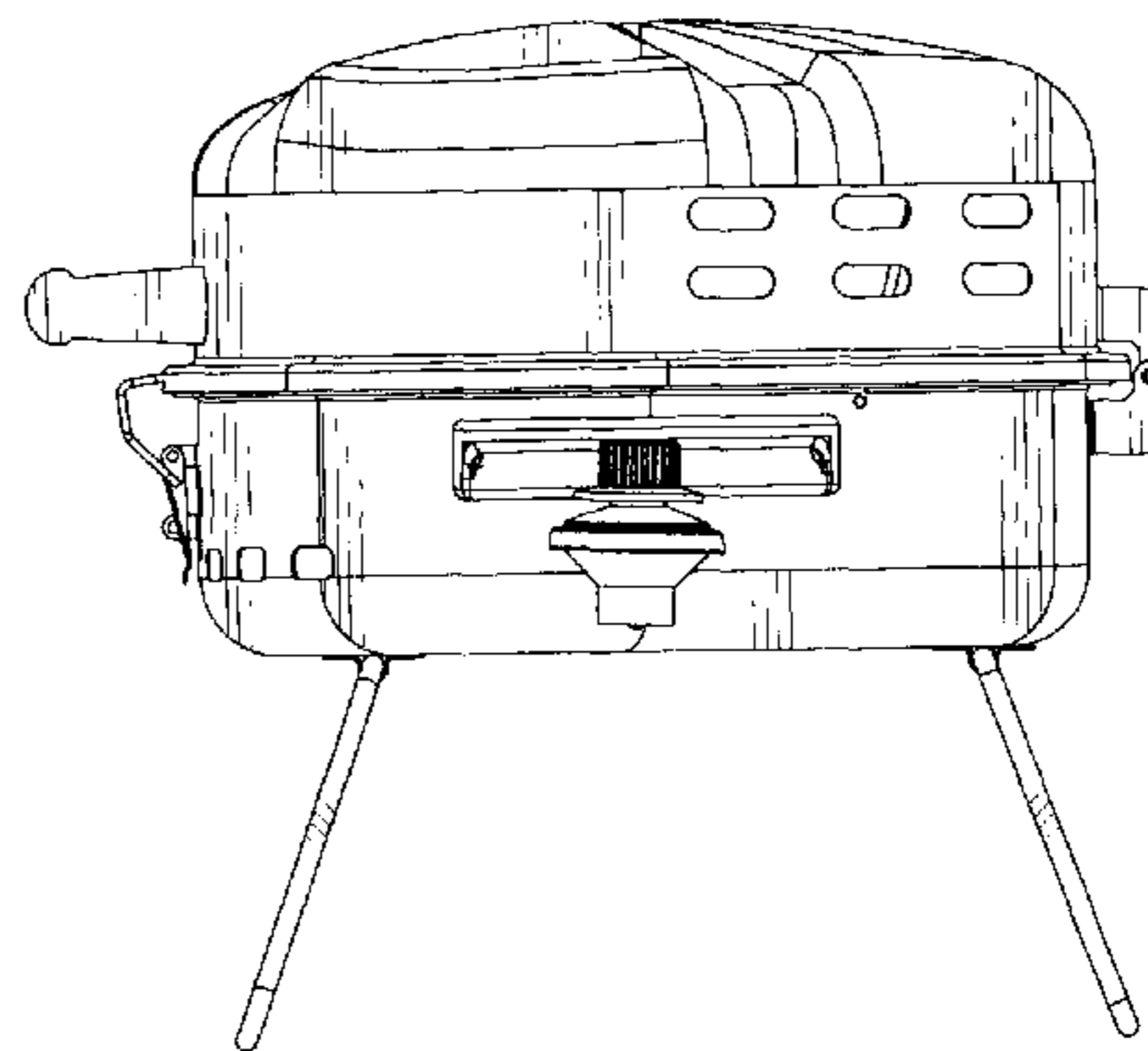
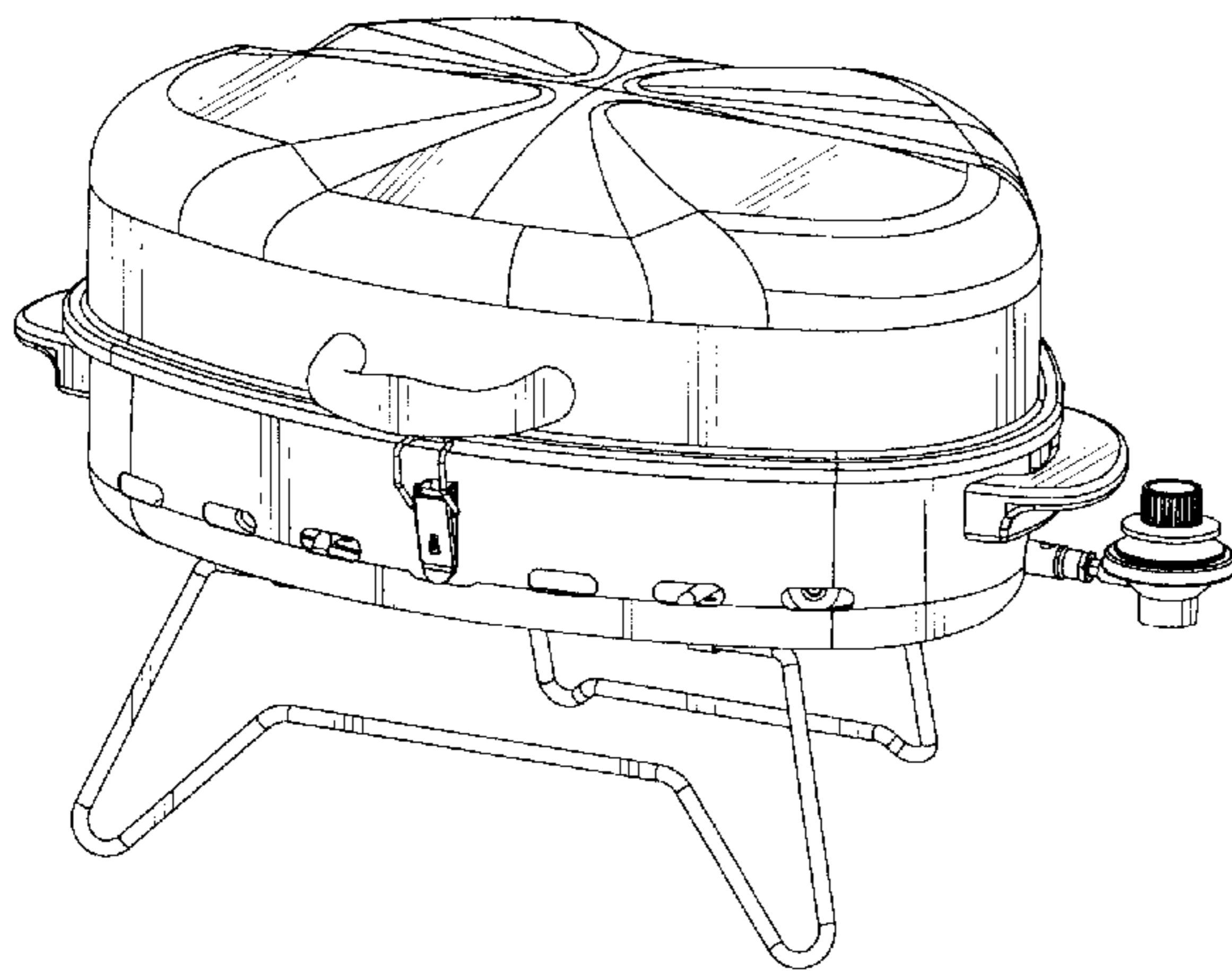
(57) **CLAIM**

I claim the ornamental design for a barbecue grill, as shown and described.

**DESCRIPTION**

FIG. 1 is an upper perspective view of a barbecue grill showing my new design;  
FIG. 2 is a front view thereof;  
FIG. 3 is a back view thereof;  
FIG. 4 is a side view thereof;  
FIG. 5 is an opposite side view thereof;  
FIG. 6 is a top view thereof; and,  
FIG. 7 is a bottom view thereof.

**1 Claim, 4 Drawing Sheets**



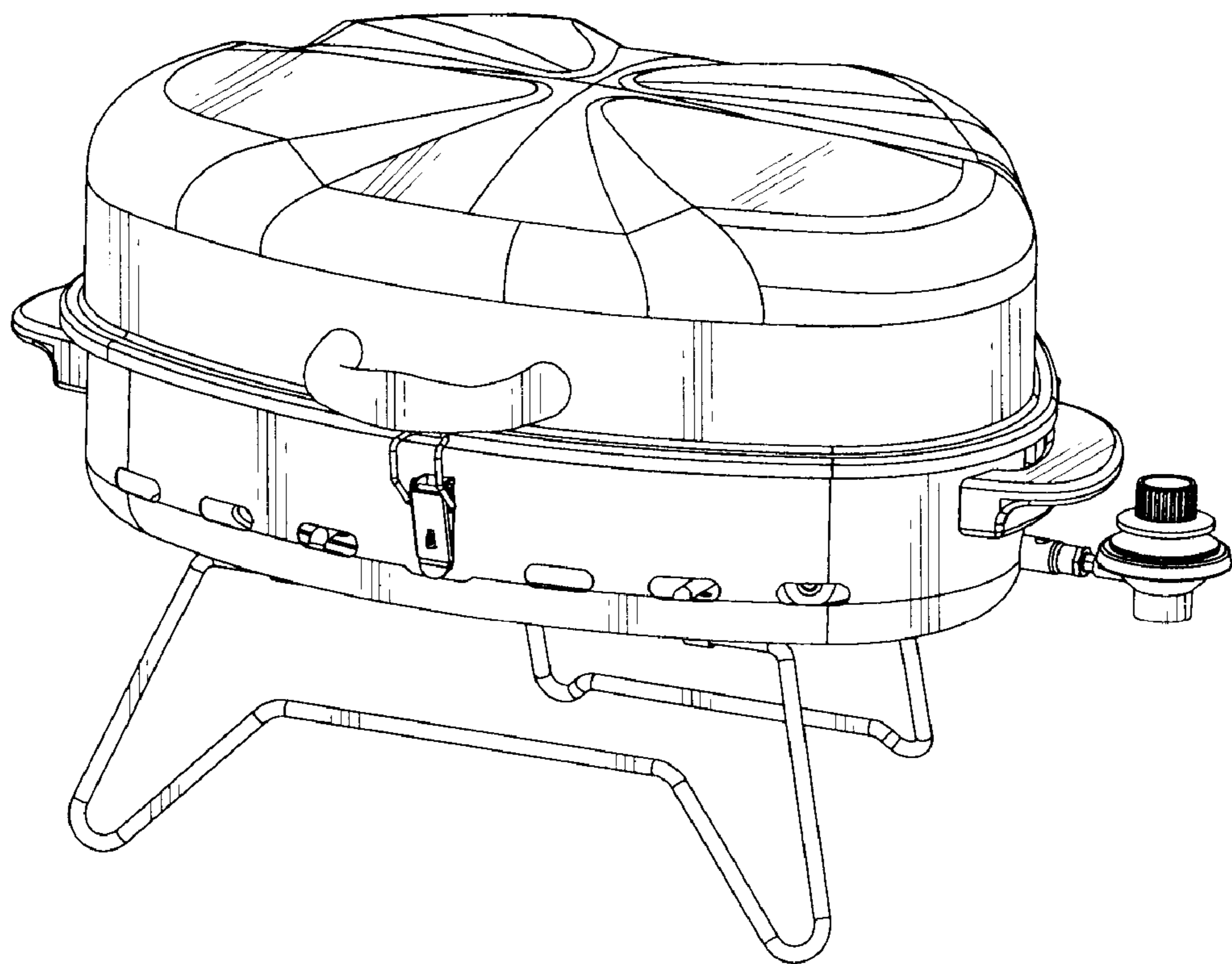


FIG. 1

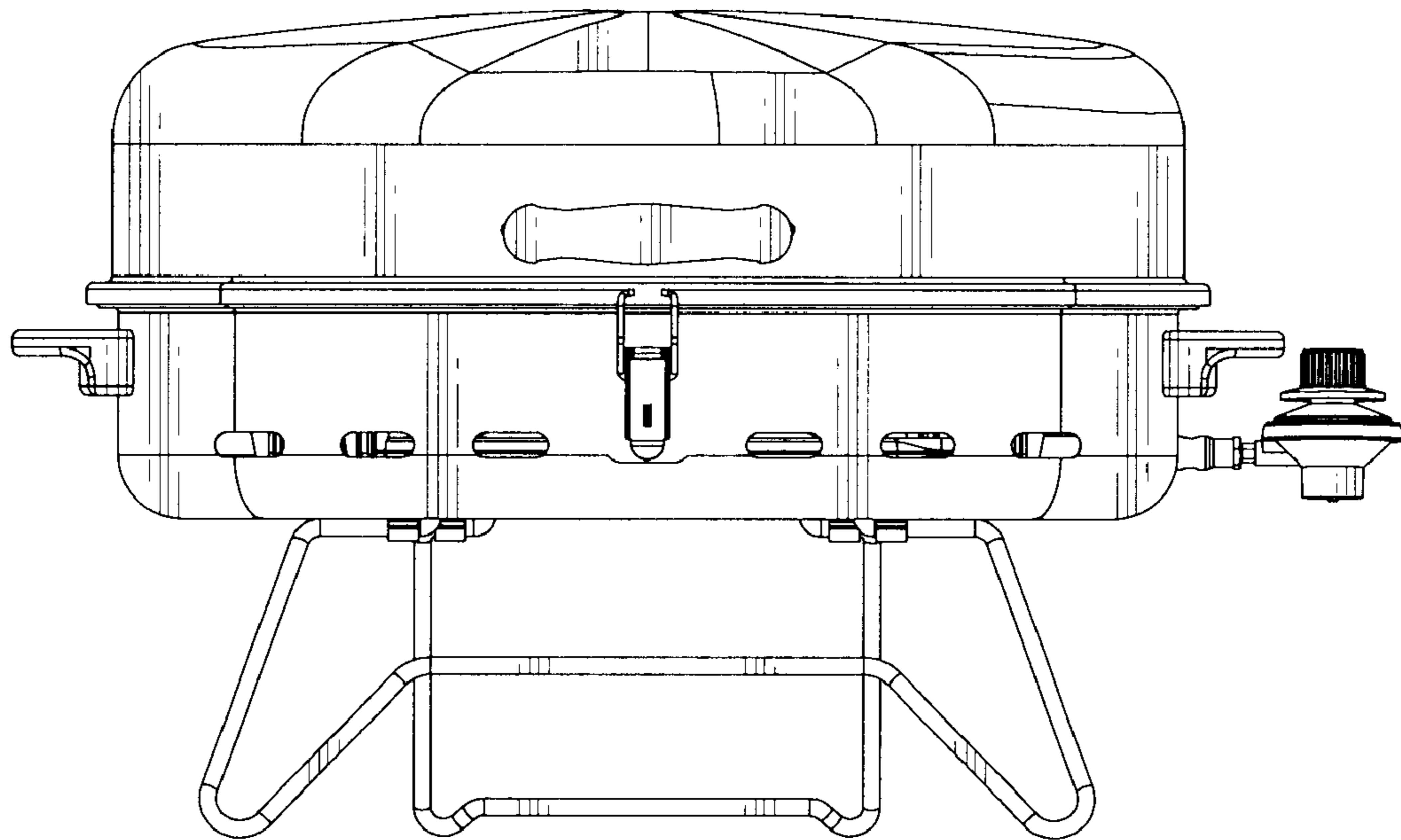


FIG. 2

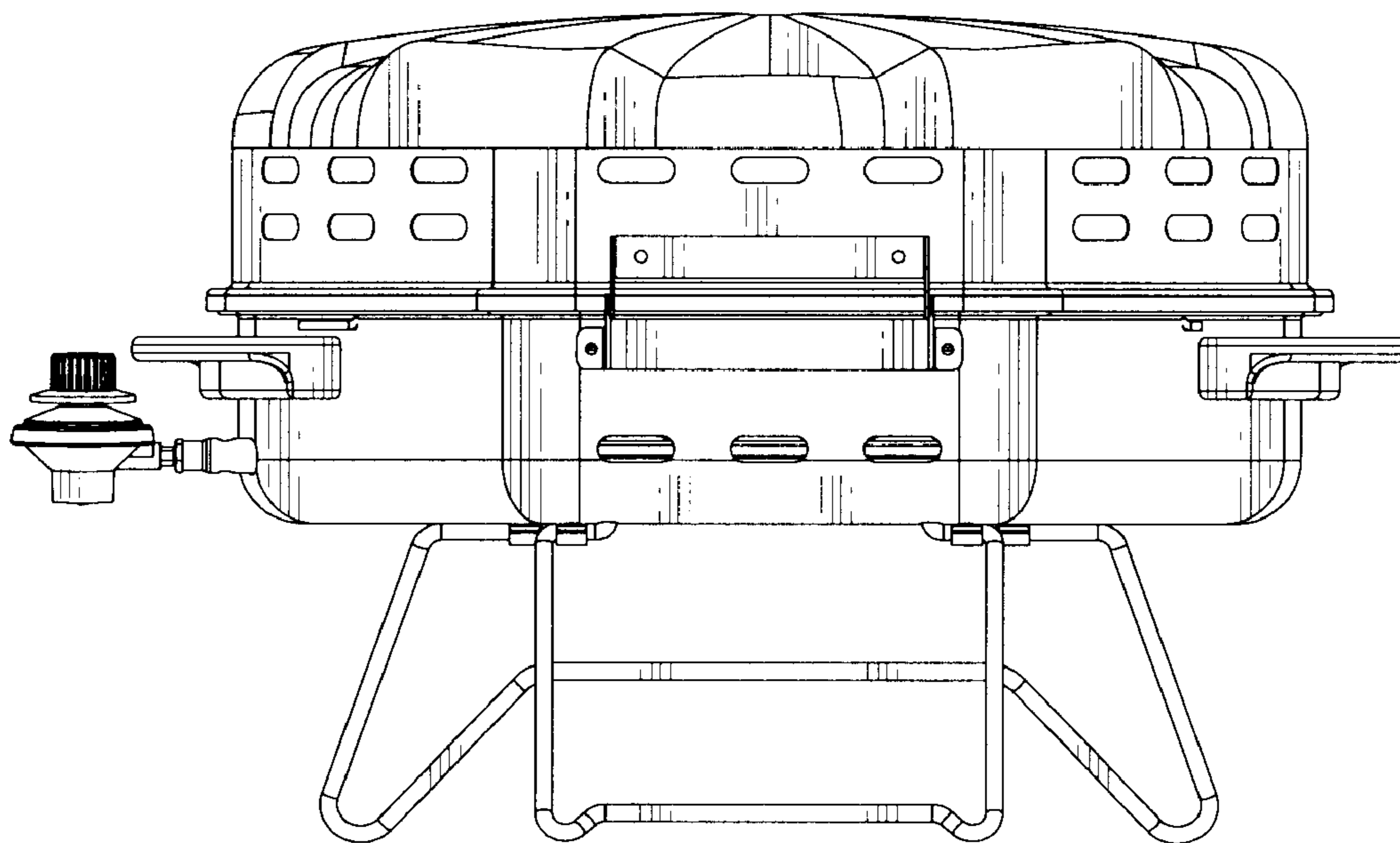


FIG. 3

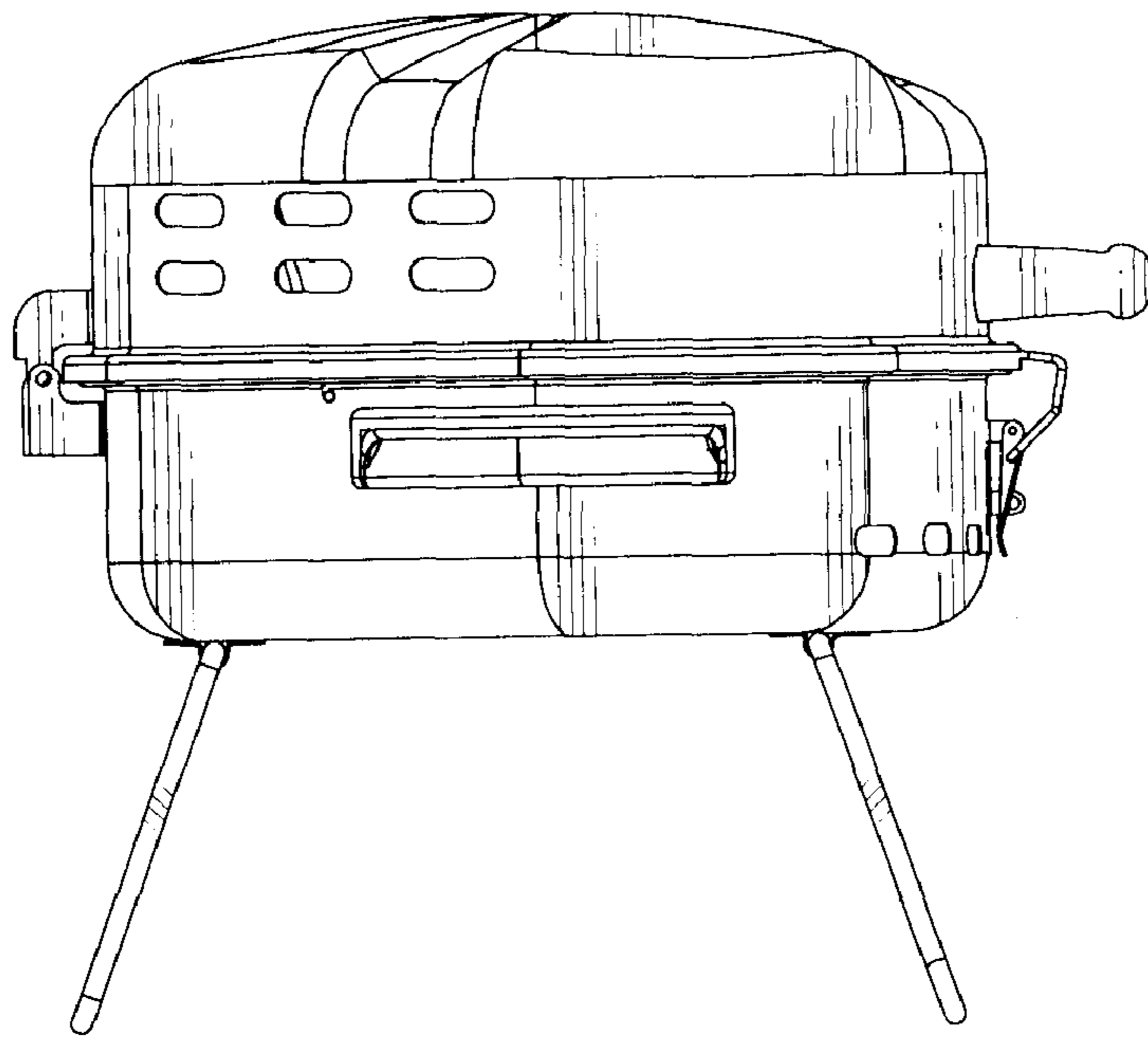


FIG.4

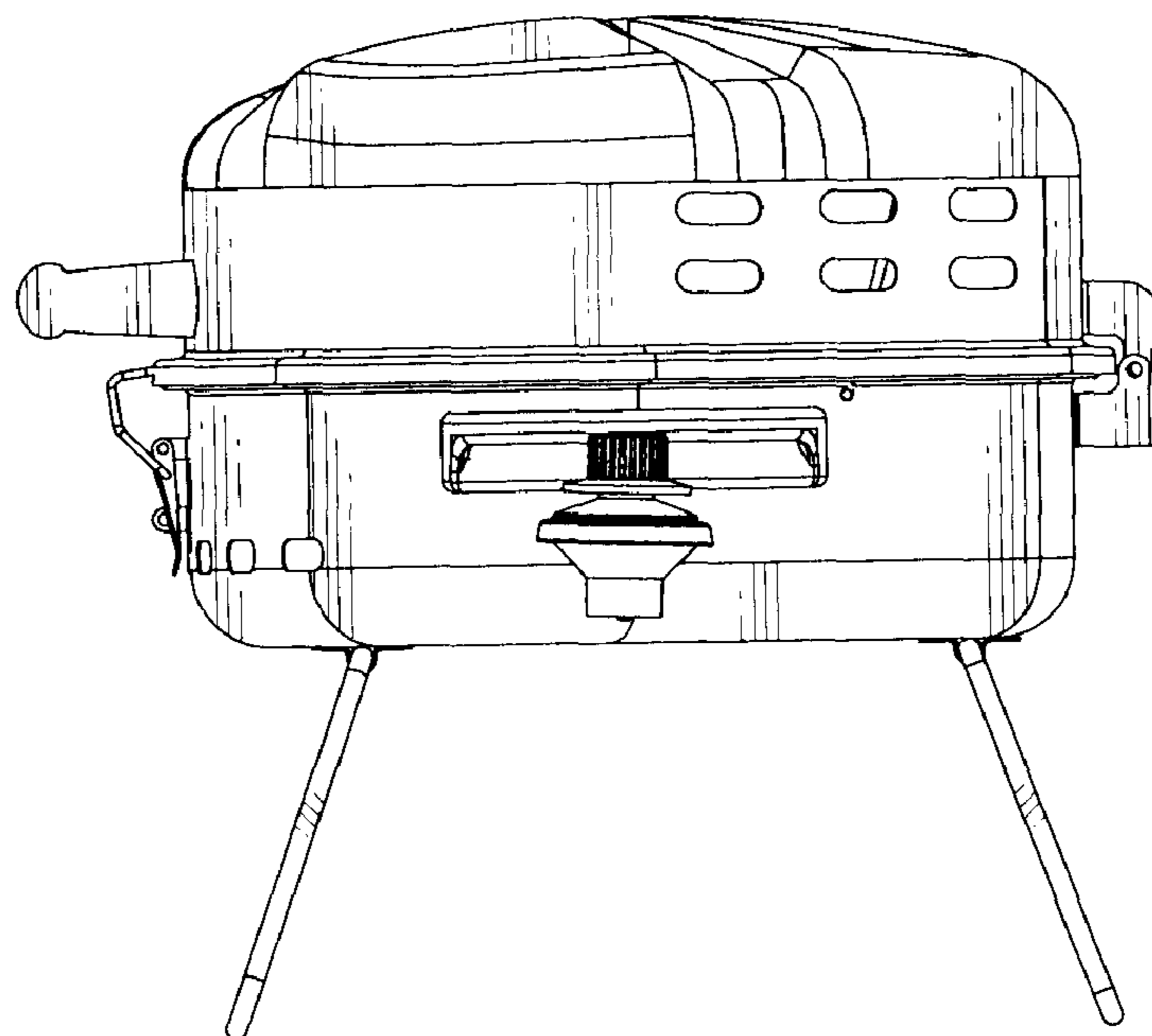


FIG.5

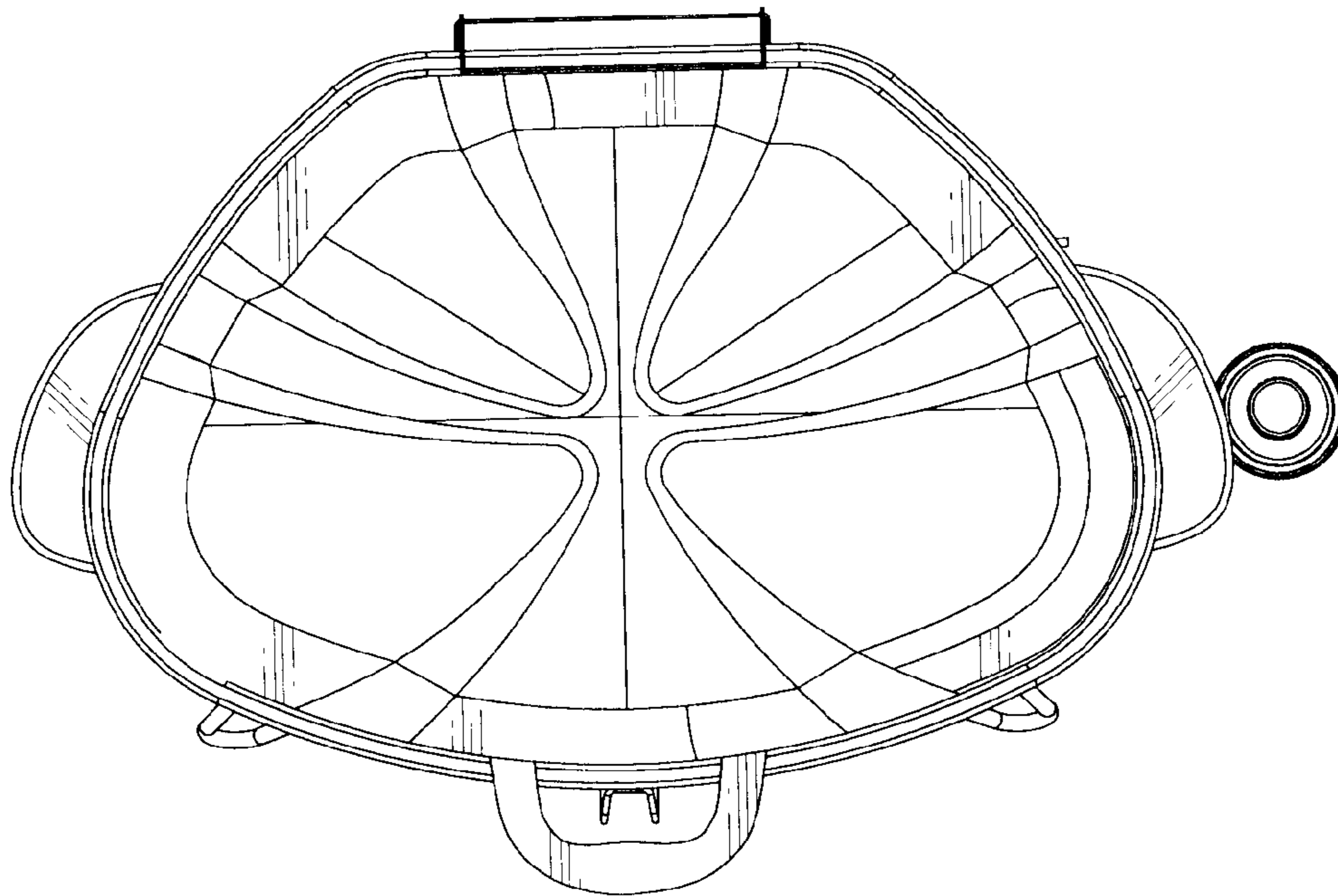


FIG. 6

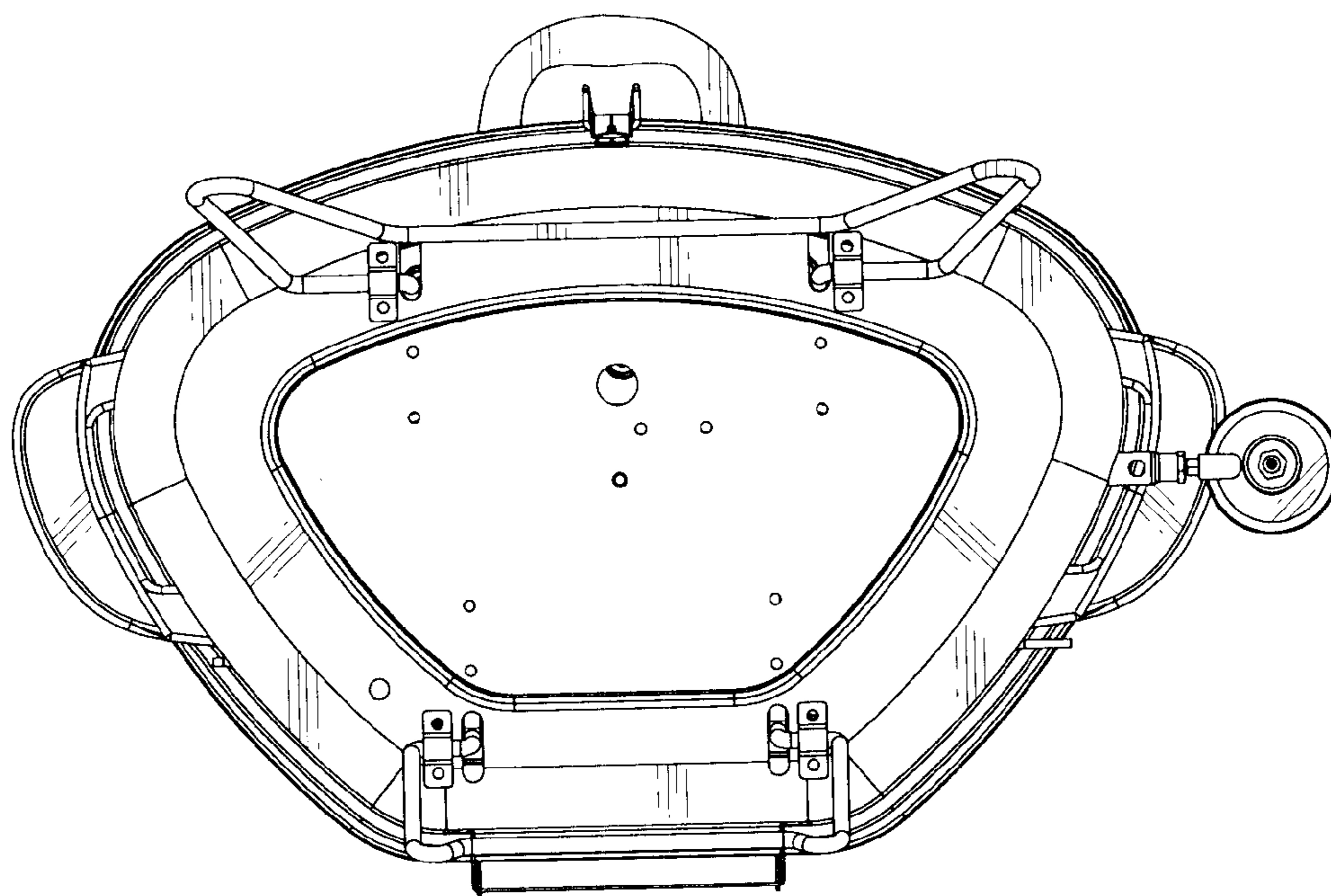


FIG. 7