

US00D510835S

(12) **United States Design Patent** (10) **Patent No.:** **US D510,835 S**  
**Pai** (45) **Date of Patent:** **\*\* Oct. 25, 2005**

(54) **SMOKE ROASTER**

(76) Inventor: **Lucas Pai**, 19F.-1, No. 159, Sec. 1,  
Chung-Kang Rd., West Dist., Taichung  
City (TW)

(\*\*) Term: **14 Years**

(21) Appl. No.: **29/196,956**

(22) Filed: **Jan. 9, 2004**

(51) **LOC (8) Cl.** ..... **07-02**

(52) **U.S. Cl.** ..... **D7/334**

(58) **Field of Search** ..... D7/332, 334-337,  
D7/402-405, 346, 362-367; 126/25 R,  
25 A, 25 AA, 40, 41 R, 38-39 R, 50, 304 R,  
305, 9 R, 19 M, 245; 108/115; 99/450;  
219/451.1, 452.11, 455.11, 385, 520, 450.1;  
248/129, 188.6, 250, 439

(56) **References Cited**

**U.S. PATENT DOCUMENTS**

3,769,901 A	*	11/1973	Phillips	.....	99/444
4,020,322 A	*	4/1977	Muse	.....	219/392
5,473,979 A	*	12/1995	Ruben	.....	99/446
D380,932 S	*	7/1997	Duray	.....	D7/334

5,799,569 A	*	9/1998	Moreth	.....	99/421 H
6,125,837 A	*	10/2000	Mulberry	.....	126/41 R
6,626,089 B1	*	9/2003	Hubert	.....	99/339
D480,596 S	*	10/2003	Dellinger et al.	.....	D7/335
6,755,187 B2	*	6/2004	Harrod et al.	.....	126/25 R
2004/0154603 A1	*	8/2004	Crawford et al.	.....	126/25 R

\* cited by examiner

*Primary Examiner*—Ruth McInroy

(74) *Attorney, Agent, or Firm*—Egbert Law Offices

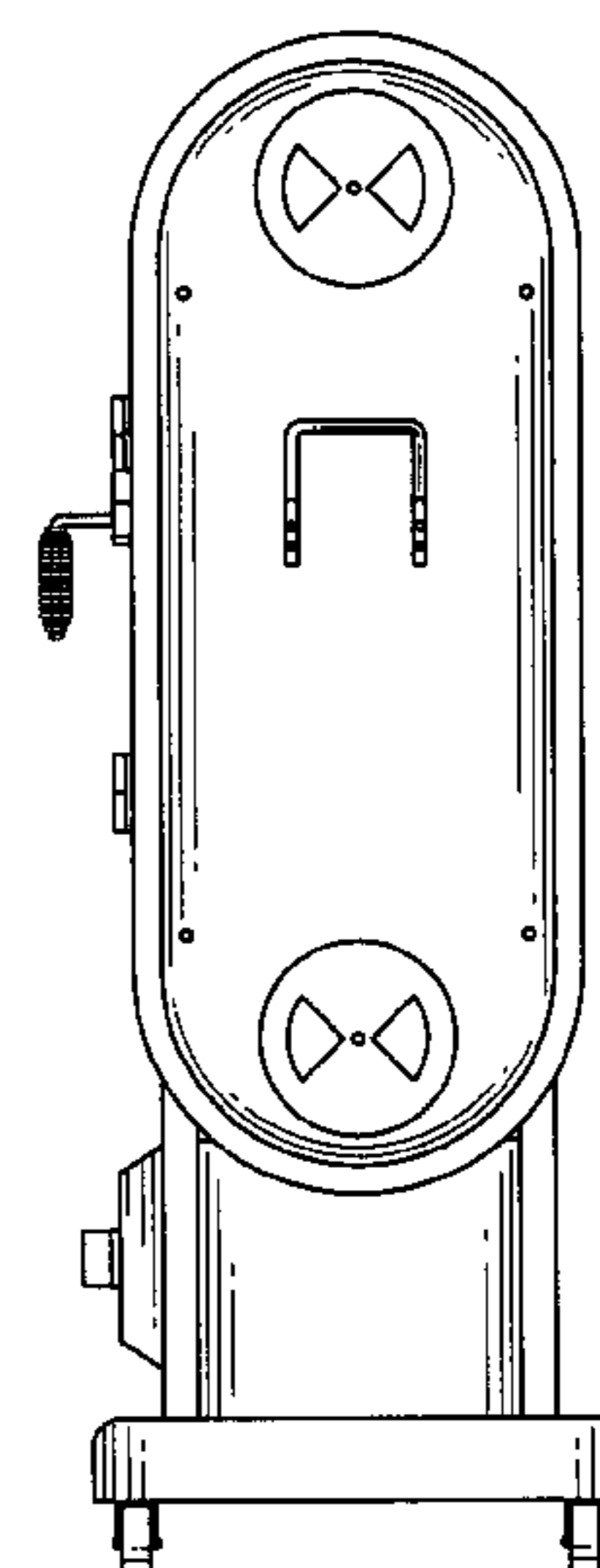
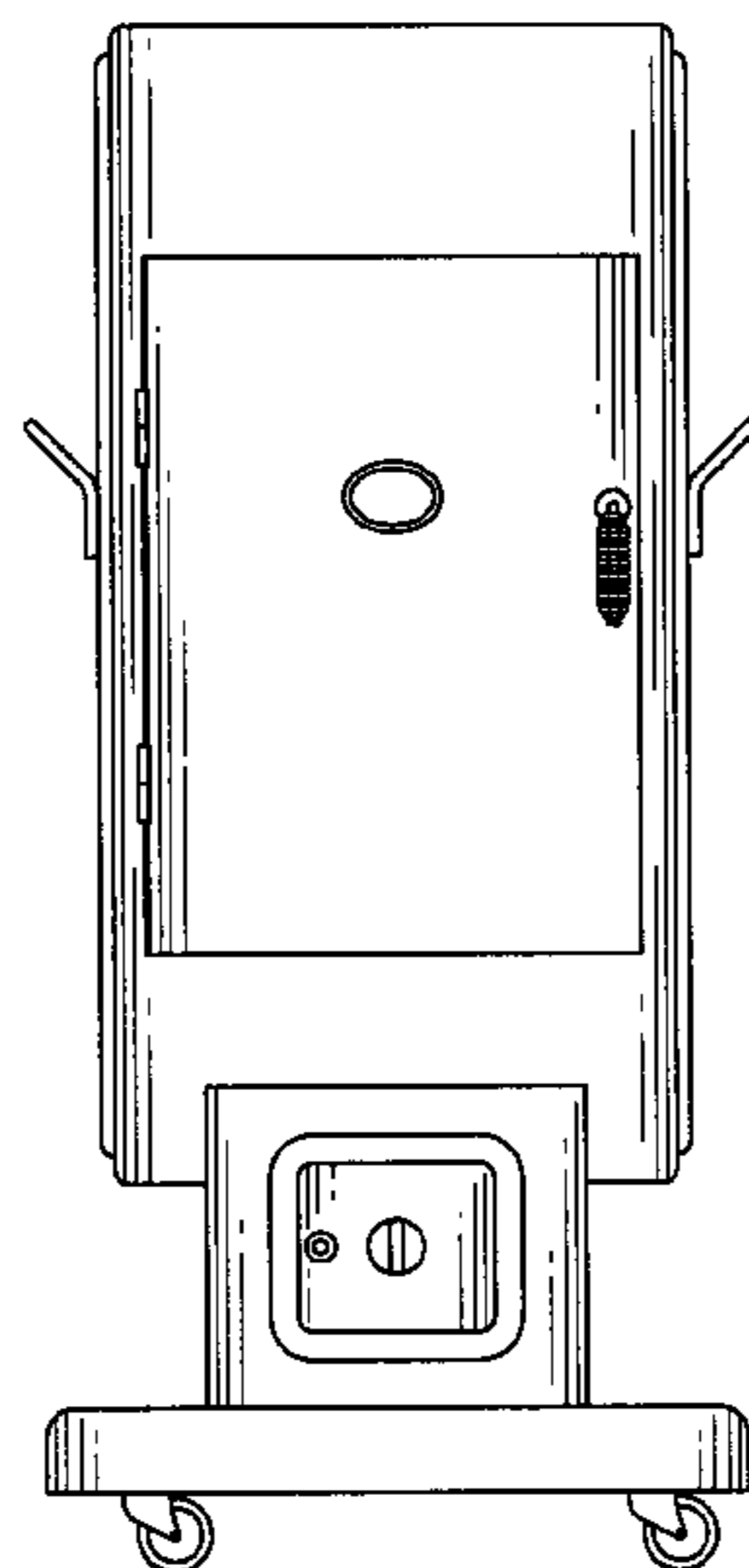
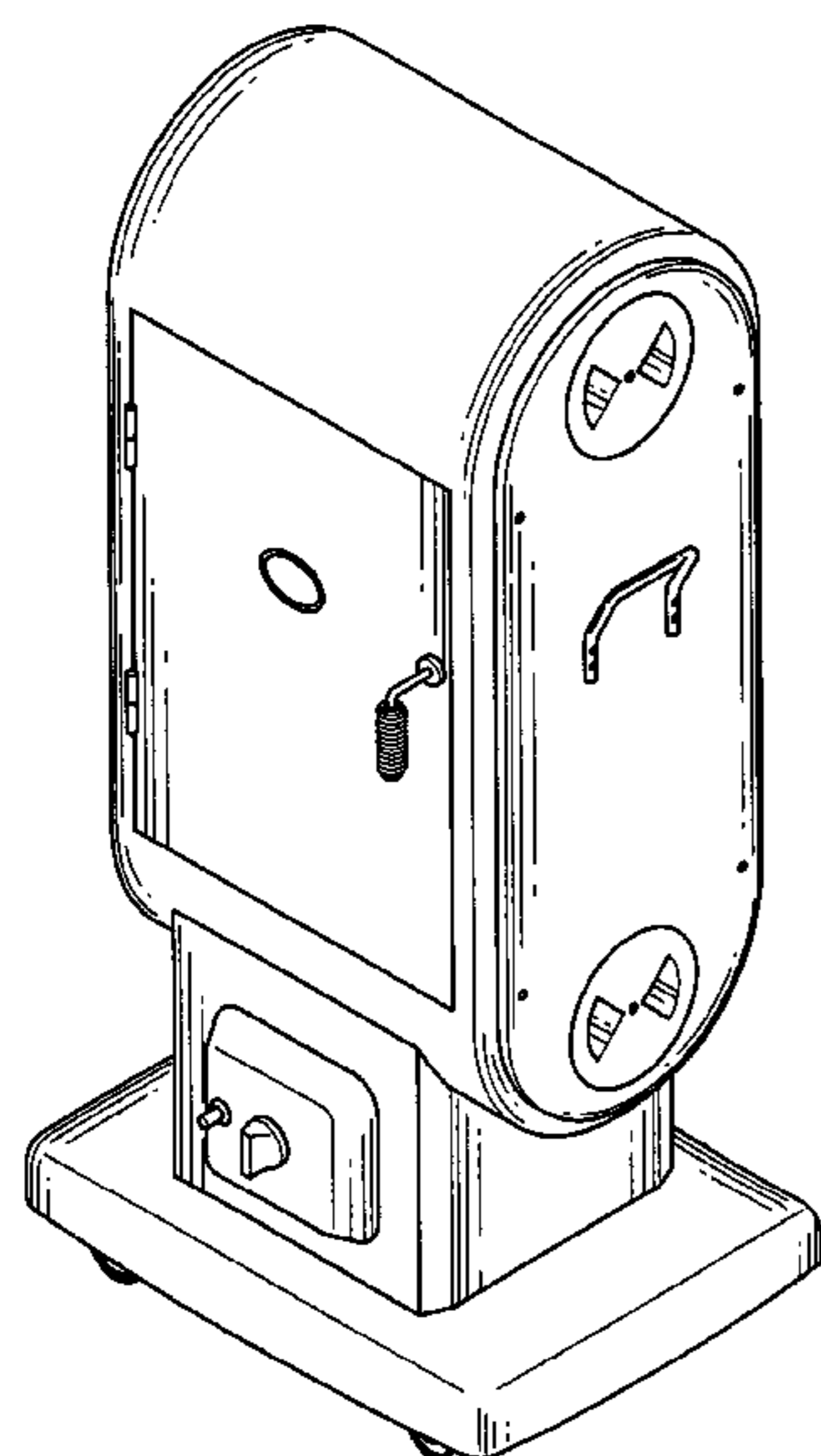
(57) **CLAIM**

I claim the ornamental design for a smoke roaster, as shown and described.

**DESCRIPTION**

FIG. 1 is an upper perspective view of a smoke roaster showing my new design;  
 FIG. 2 is a front view thereof;  
 FIG. 3 is a back view thereof;  
 FIG. 4 is a side view thereof;  
 FIG. 5 is an opposite side view thereof;  
 FIG. 6 is a top view thereof; and,  
 FIG. 7 is a bottom view thereof.

**1 Claim, 4 Drawing Sheets**



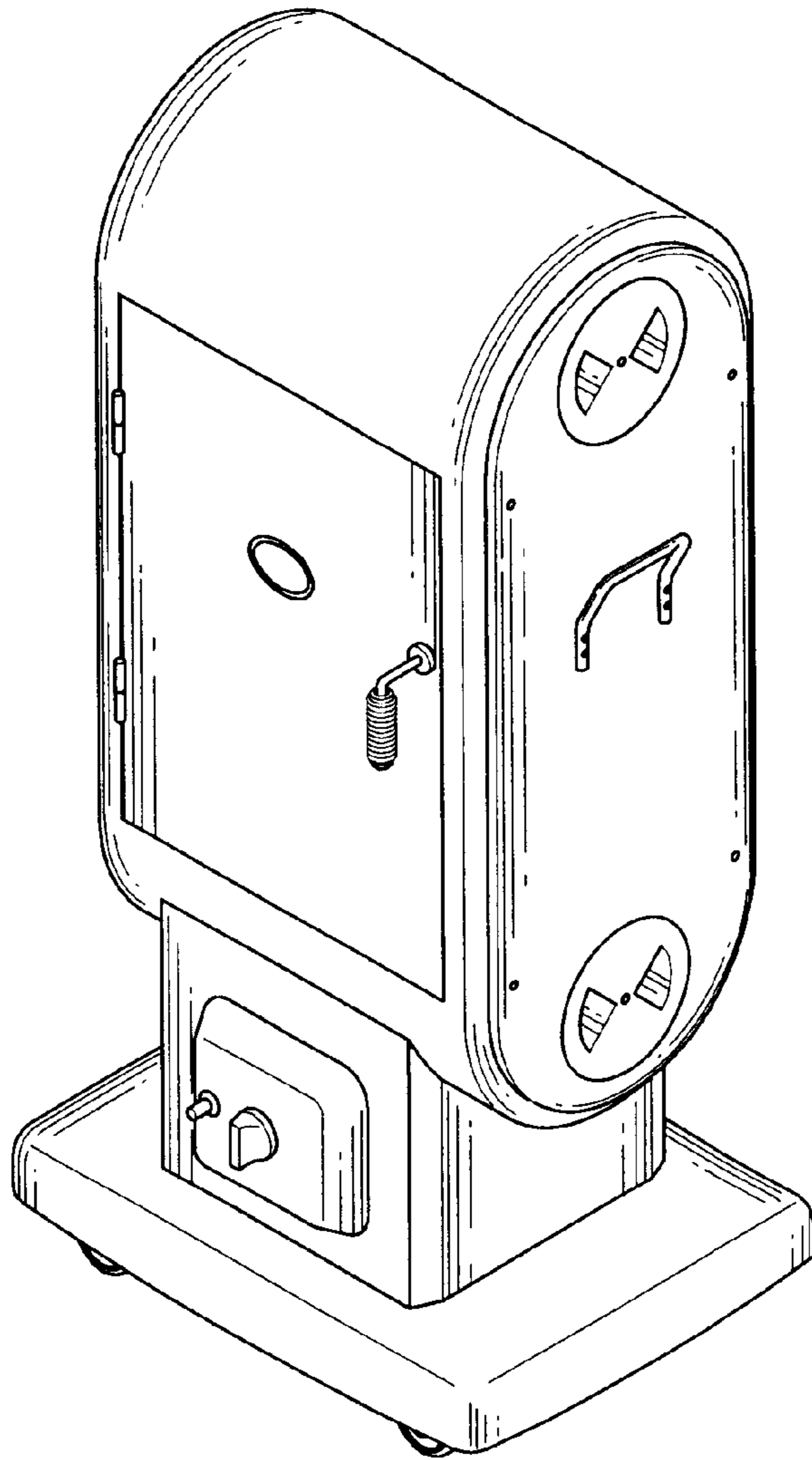


FIG.1

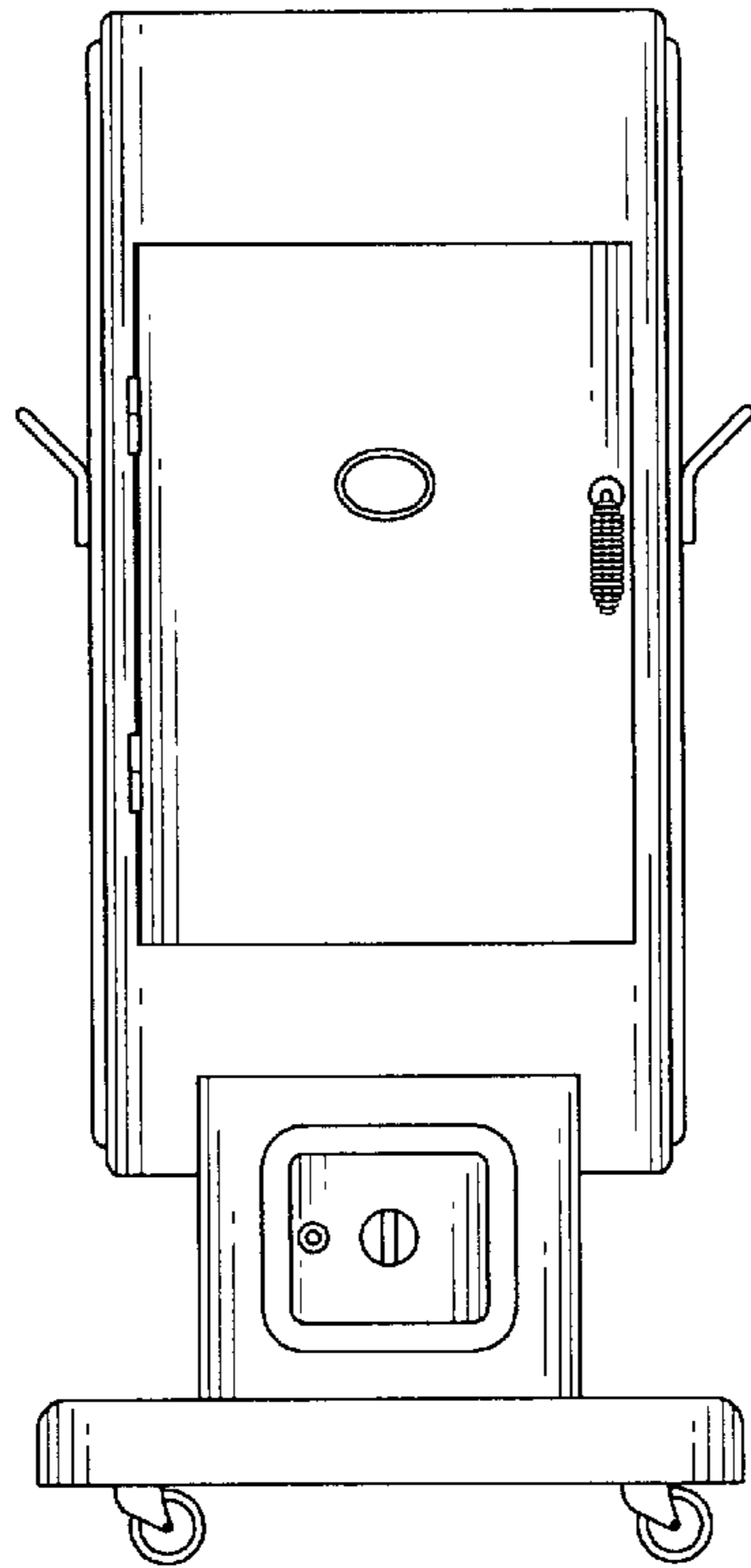


FIG. 2

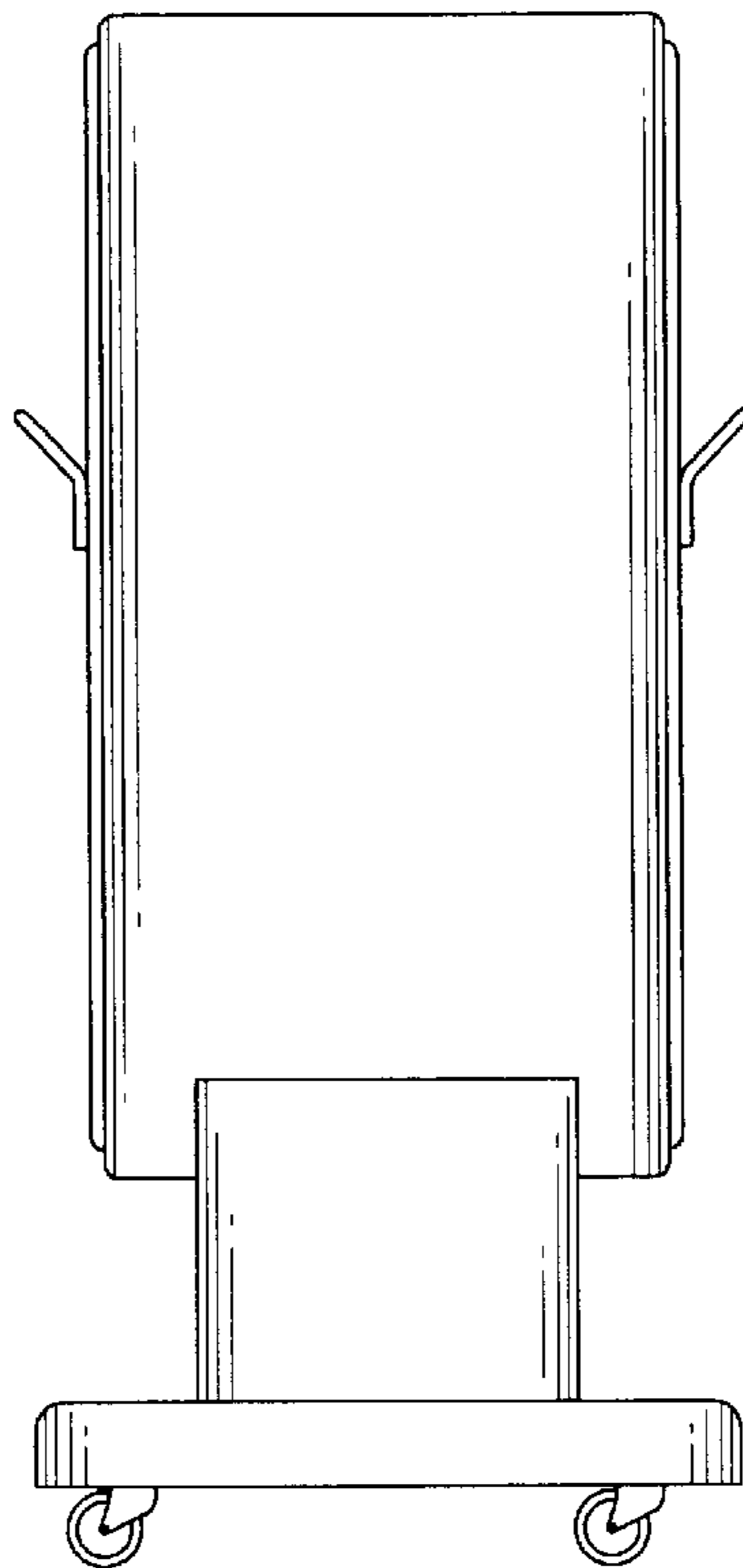


FIG. 3

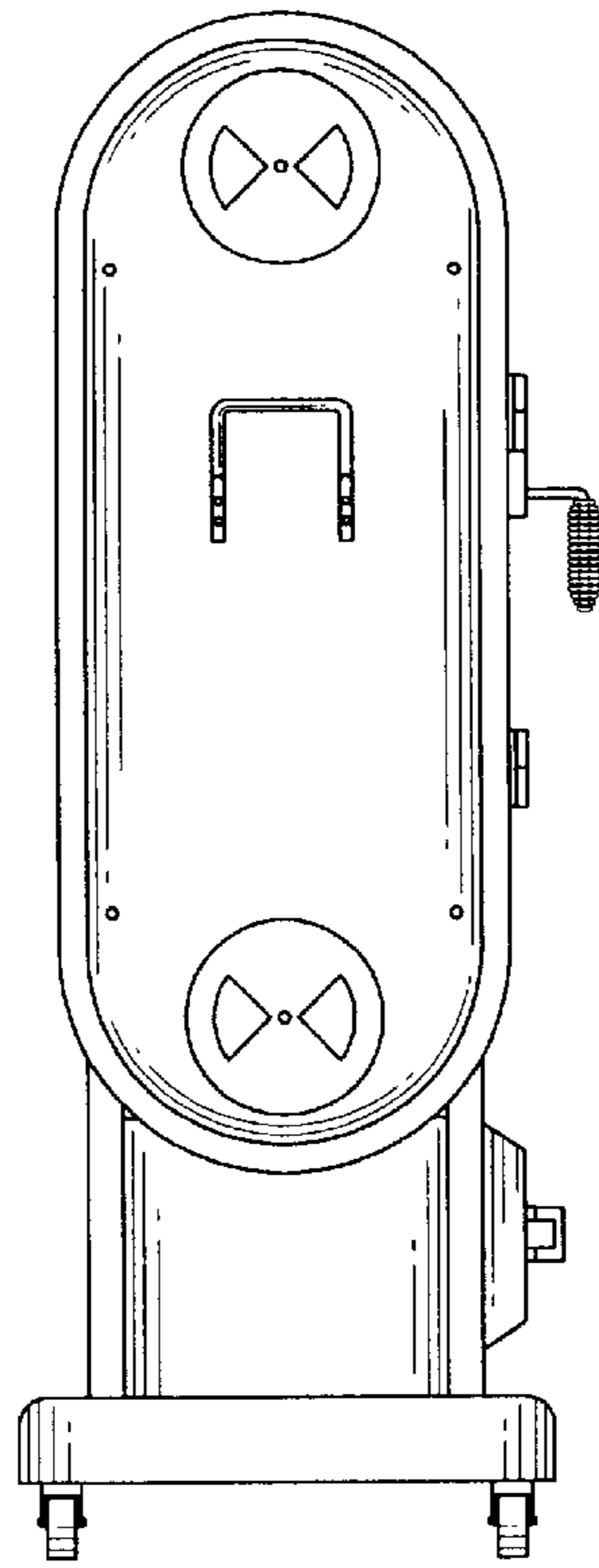


FIG. 4

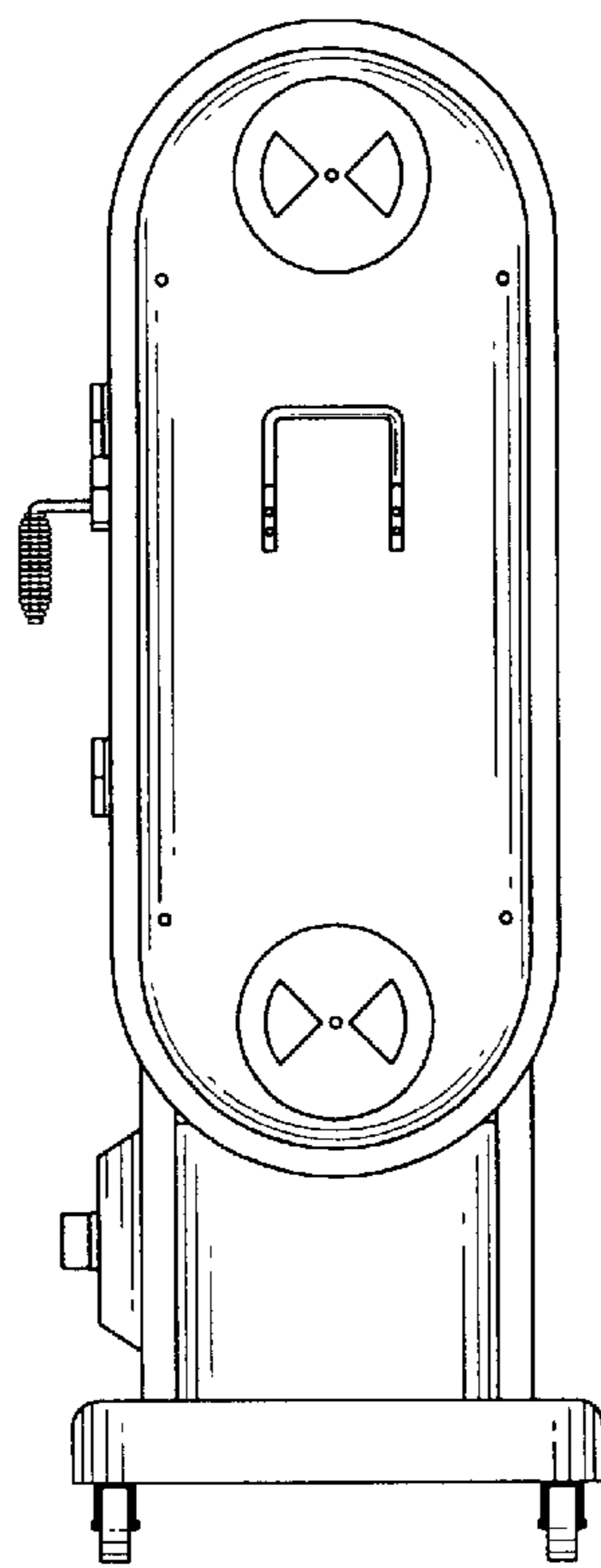


FIG. 5

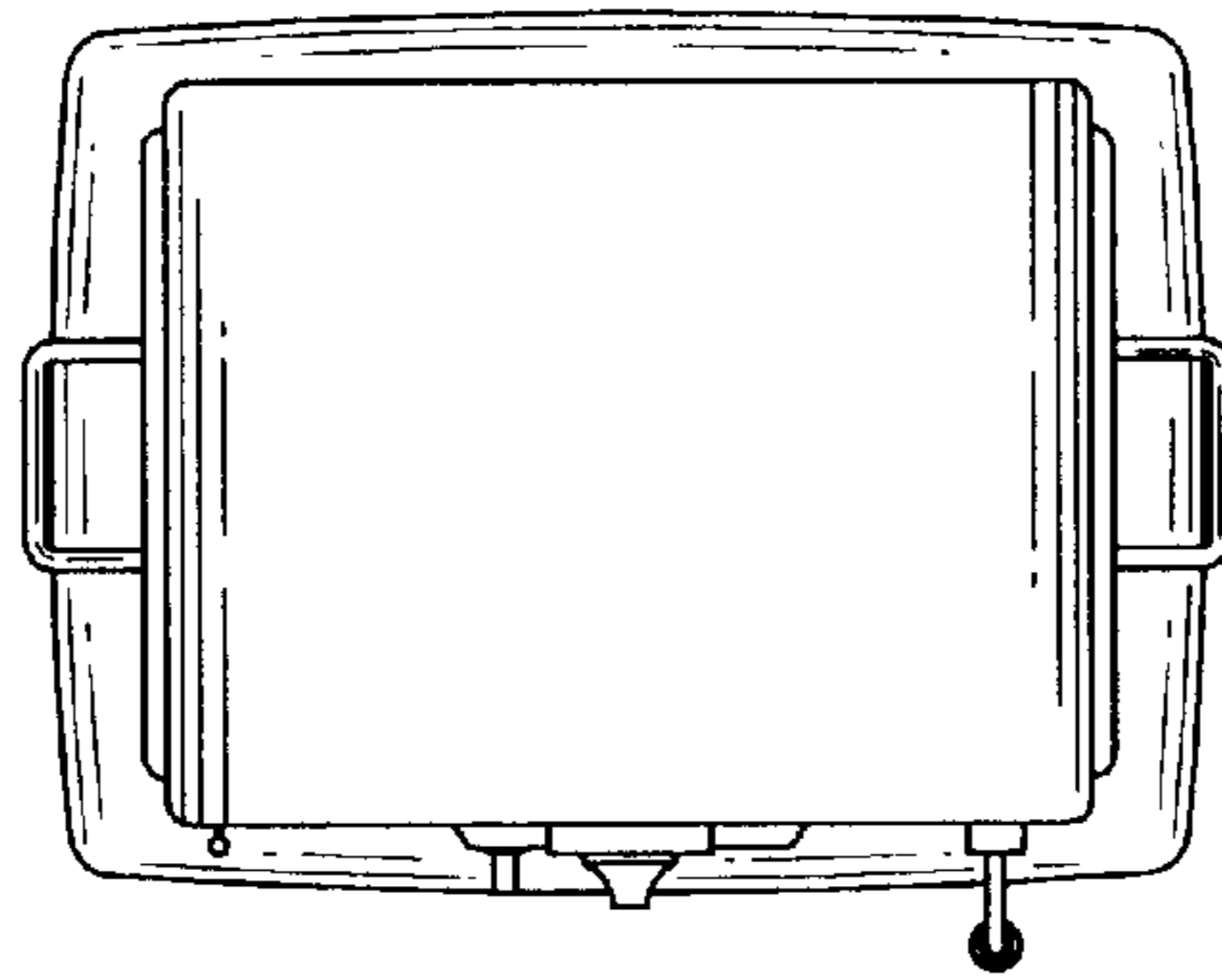


FIG. 6

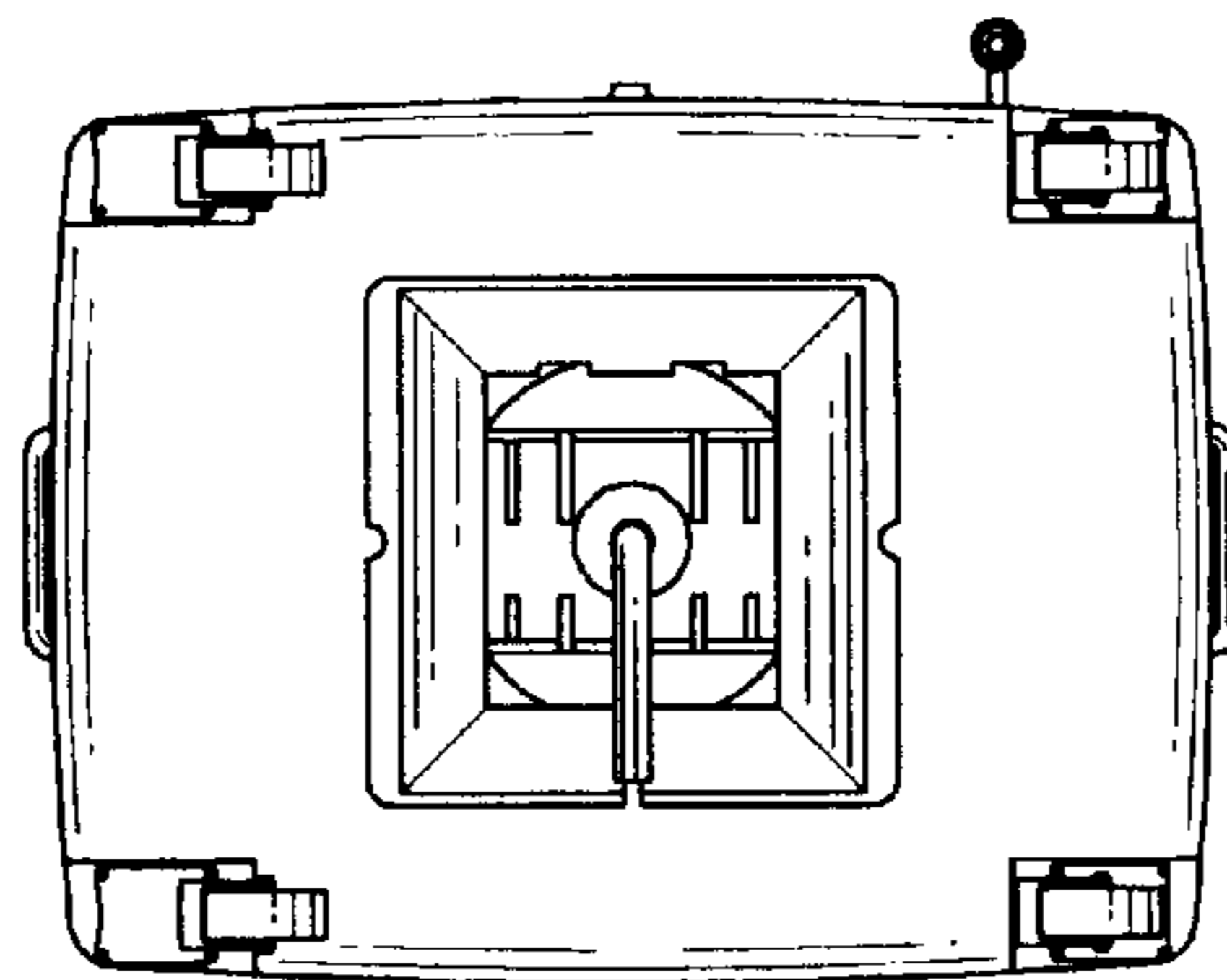


FIG. 7