



US00D510833S

(12) **United States Design Patent**
Yu et al.

(10) **Patent No.:** **US D510,833 S**
(45) **Date of Patent:** **** Oct. 25, 2005**

(54) **WINDOW SHADE**

(75) Inventors: **Fu-Lai Yu**, Taipei Hsieh (TW);
Chin-Tien Huang, Taipei Hsieh (TW);
Shun-Chi Yu, Taipei Hsieh (TW)

(73) Assignee: **Teh Yor Industrial Col, Ltd.**, Taiwan
(CN)

(**) Term: **14 Years**

(21) Appl. No.: **29/210,953**

(22) Filed: **Aug. 9, 2004**

(51) **LOC (8) Cl.** **06-10**

(52) **U.S. Cl.** **D6/575**

(58) **Field of Search** D6/575, 577, 580;
160/84.01, 84.05, 84.06, 231.1, 236, 112,
115, 279

(56) **References Cited**

U.S. PATENT DOCUMENTS

1,959,137	A	*	5/1934	Miller	160/84.06
2,267,869	A		12/1941	Loehr	160/89
4,628,979	A	*	12/1986	Hsu	160/115
4,951,729	A		8/1990	Chi Yu	160/178.3
5,165,459	A		11/1992	Gaber et al.	160/168.1 R
5,375,642	A		12/1994	Gaber et al.	160/168.1 R
5,409,050	A		4/1995	Hong	160/168.1 R
5,582,226	A		12/1996	Voss et al.	160/168.1 R
5,680,891	A		10/1997	Prince	160/84.05
5,733,632	A		3/1998	Marusak	428/181
5,787,951	A		8/1998	Tomomura et al.	160/84.01
5,845,690	A		12/1998	Colson et al.	160/84.01
5,918,655	A		7/1999	Corey	160/84.05
6,006,812	A		12/1999	Corey	160/84.05
6,029,734	A		2/2000	Wang et al.	160/170
D440,093	S	*	4/2001	Siegel et al.	D6/575
6,354,353	B1		3/2002	Green et al.	160/84.04
2003/0127196	A1		7/2003	Corey et al.	160/84.05
2003/0188835	A1		10/2003	Corey et al.	160/84.05

FOREIGN PATENT DOCUMENTS

DE 28 44 891 A1 4/1980

* cited by examiner

Primary Examiner—Holly Baynham

(74) *Attorney, Agent, or Firm*—Olson & Hierl, Ltd.

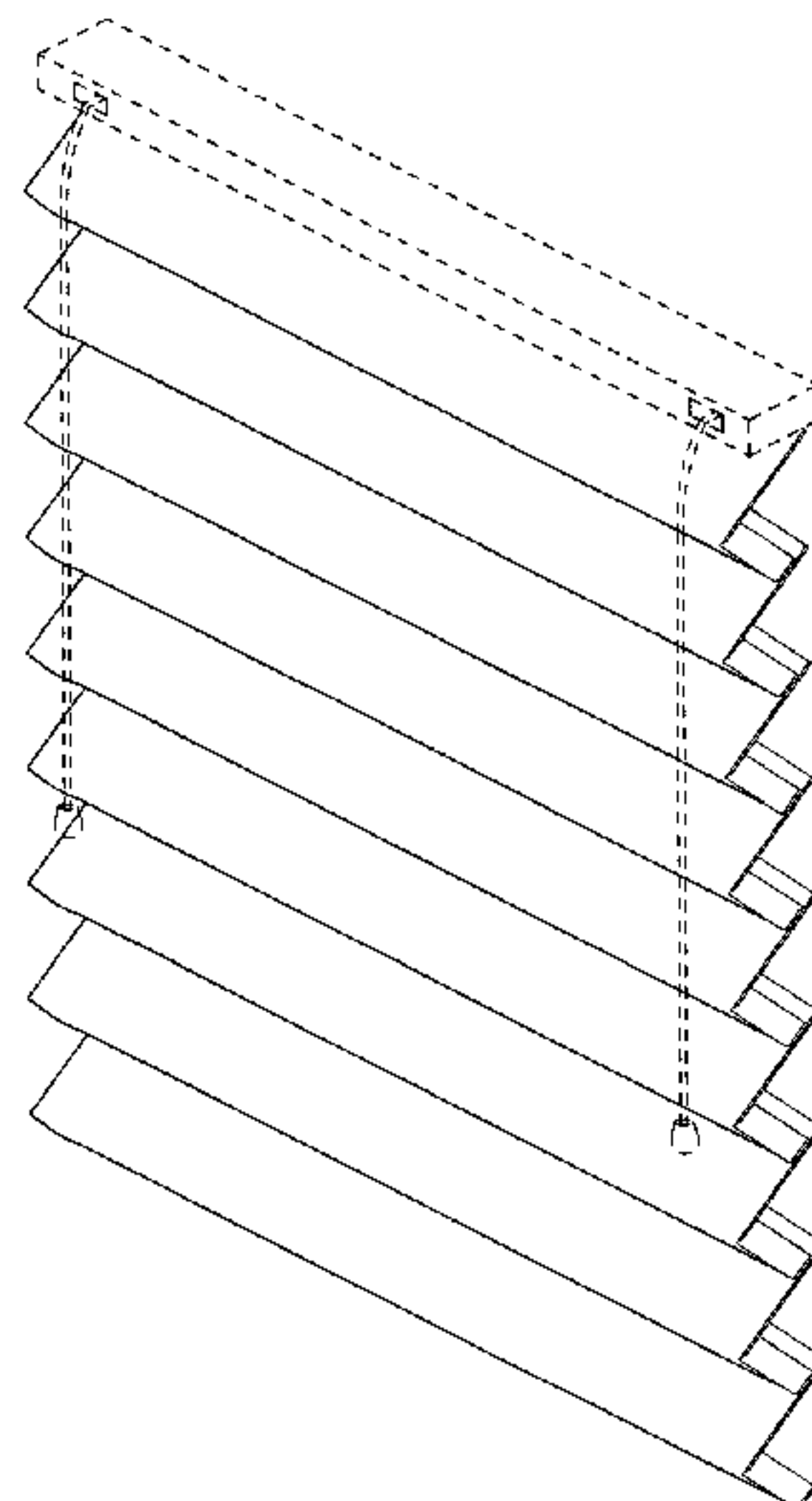
(57) **CLAIM**

The ornamental design for a window shade, as shown and described.

DESCRIPTION

FIG. 1 is a perspective view of a first embodiment of a window shade in a pulled-down condition;
 FIG. 2 is a front elevational view of the window shade of FIG. 1;
 FIG. 3 is a rear elevational view of the window shade of FIG. 1;
 FIG. 4 is a left-side elevational view of the window shade of FIG. 1;
 FIG. 5 is a right-side elevational view of the window shade of FIG. 1;
 FIG. 6 is a perspective view of a second embodiment of a window shade in a pulled-down condition;
 FIG. 7 is a front elevational view of the window shade of FIG. 6;
 FIG. 8 is a rear elevational view of the window shade of FIG. 6;
 FIG. 9 is a left-side elevational view of the window shade of FIG. 6;
 FIG. 10 is a right-side elevational view of the window shade of FIG. 6;
 FIG. 11 is a perspective view of a third embodiment of a window shade in a pulled-down condition;
 FIG. 12 is a front elevational view of the window shade of FIG. 11;
 FIG. 13 is a rear elevational view of the window shade of FIG. 11;
 FIG. 14 is a left-side elevational view of the window shade of FIG. 11; and,
 FIG. 15 is a right-side elevational view of the window shade of FIG. 11.
 The broken line showing of a headrail and a pull cord is for illustrative purposes only and forms no part of the claimed design.

1 Claim, 12 Drawing Sheets



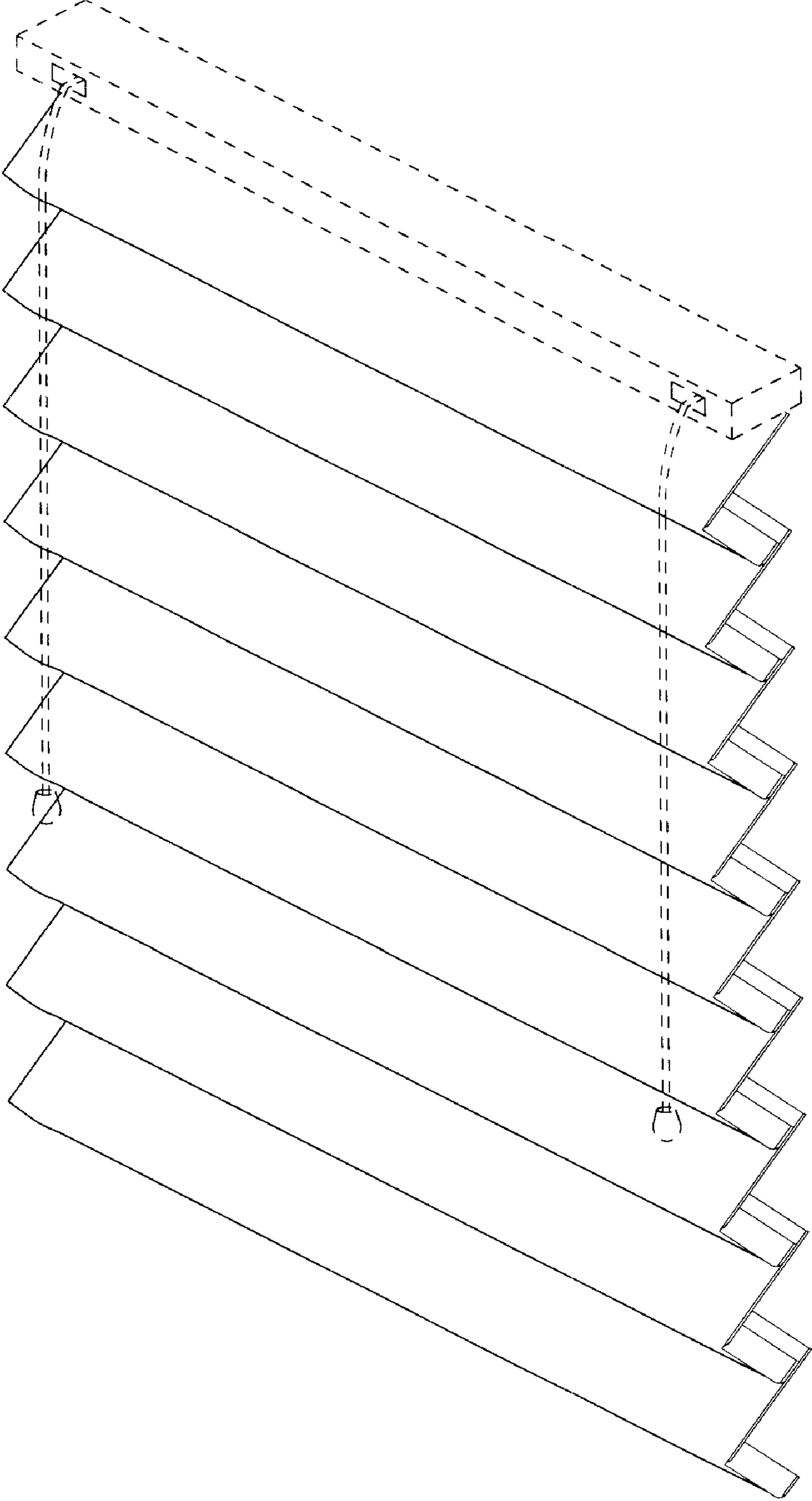


FIG. 1

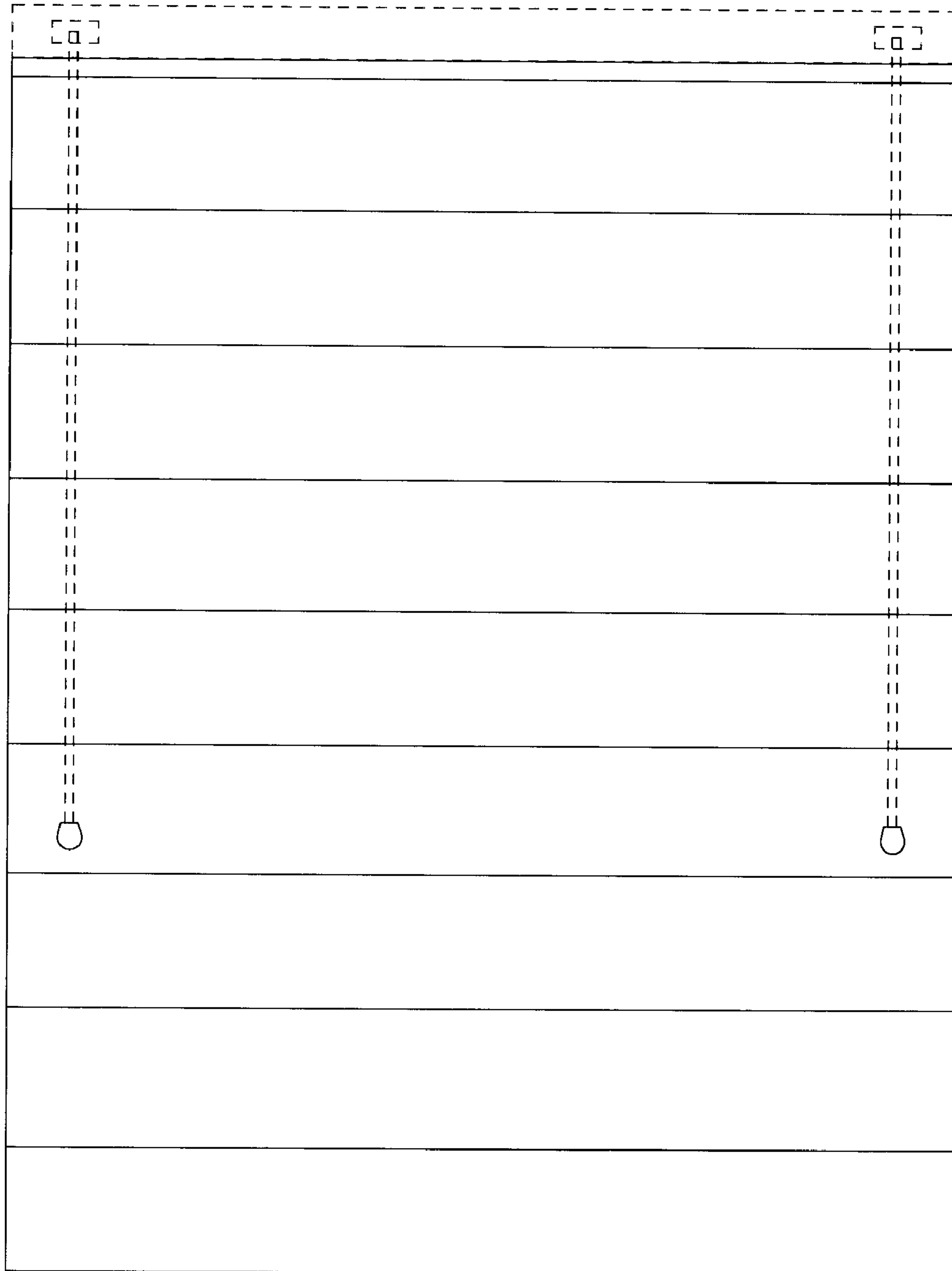


FIG. 2

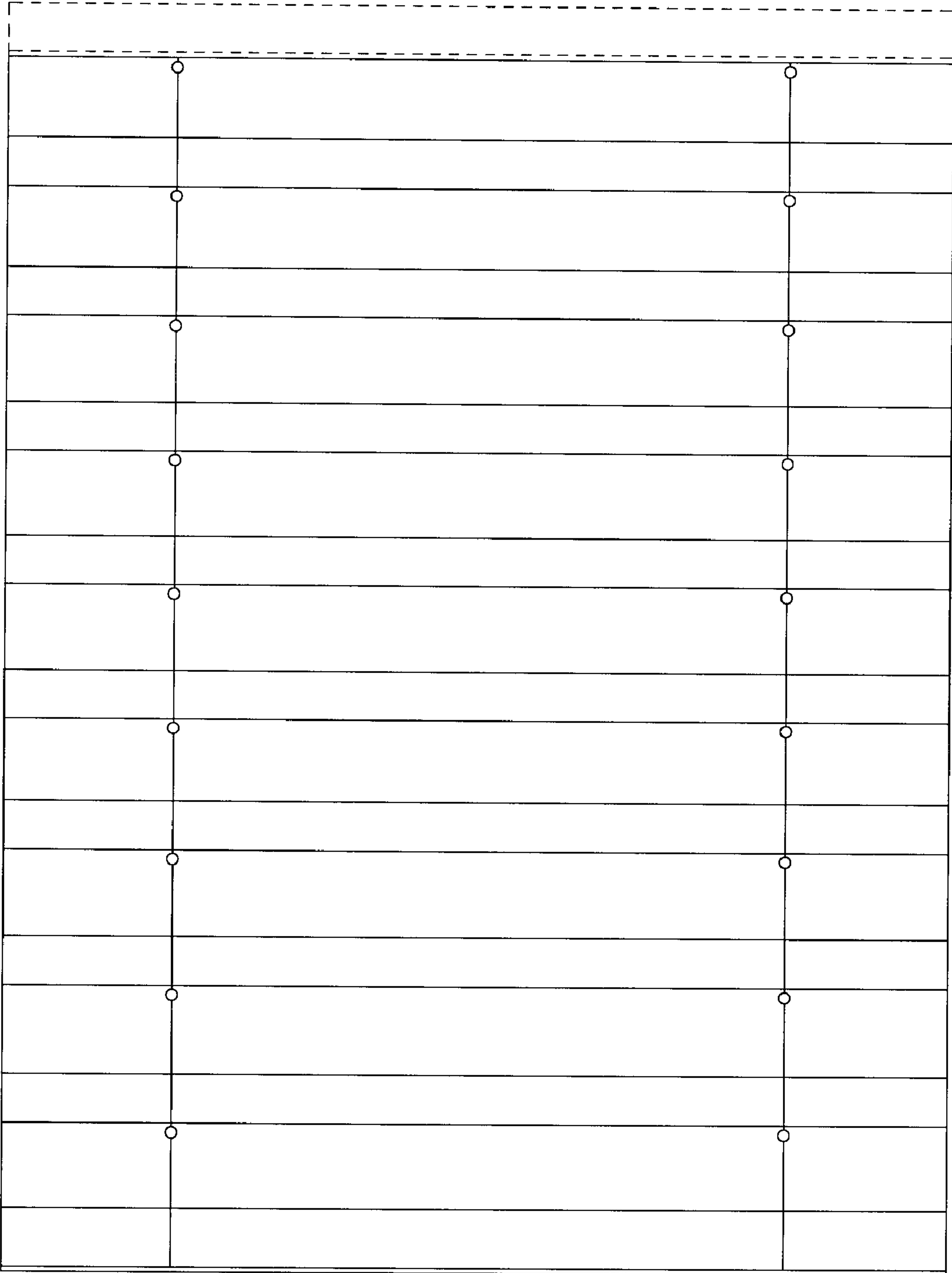


FIG. 3

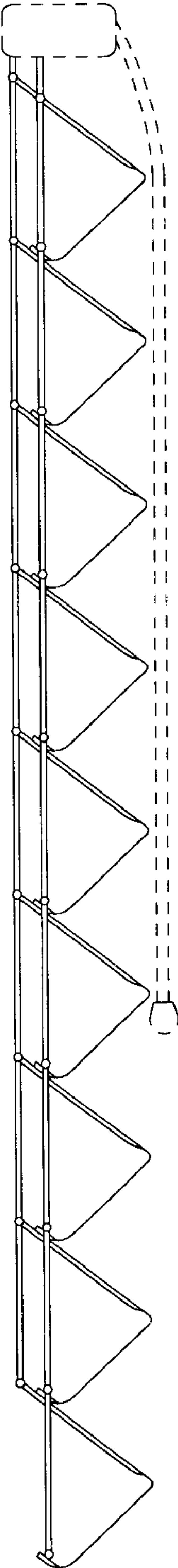


FIG. 4

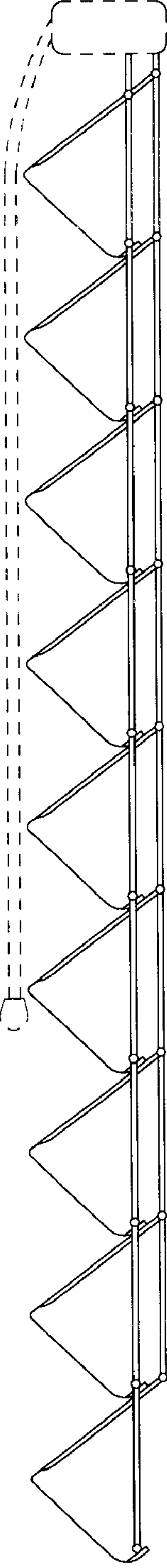


FIG. 5

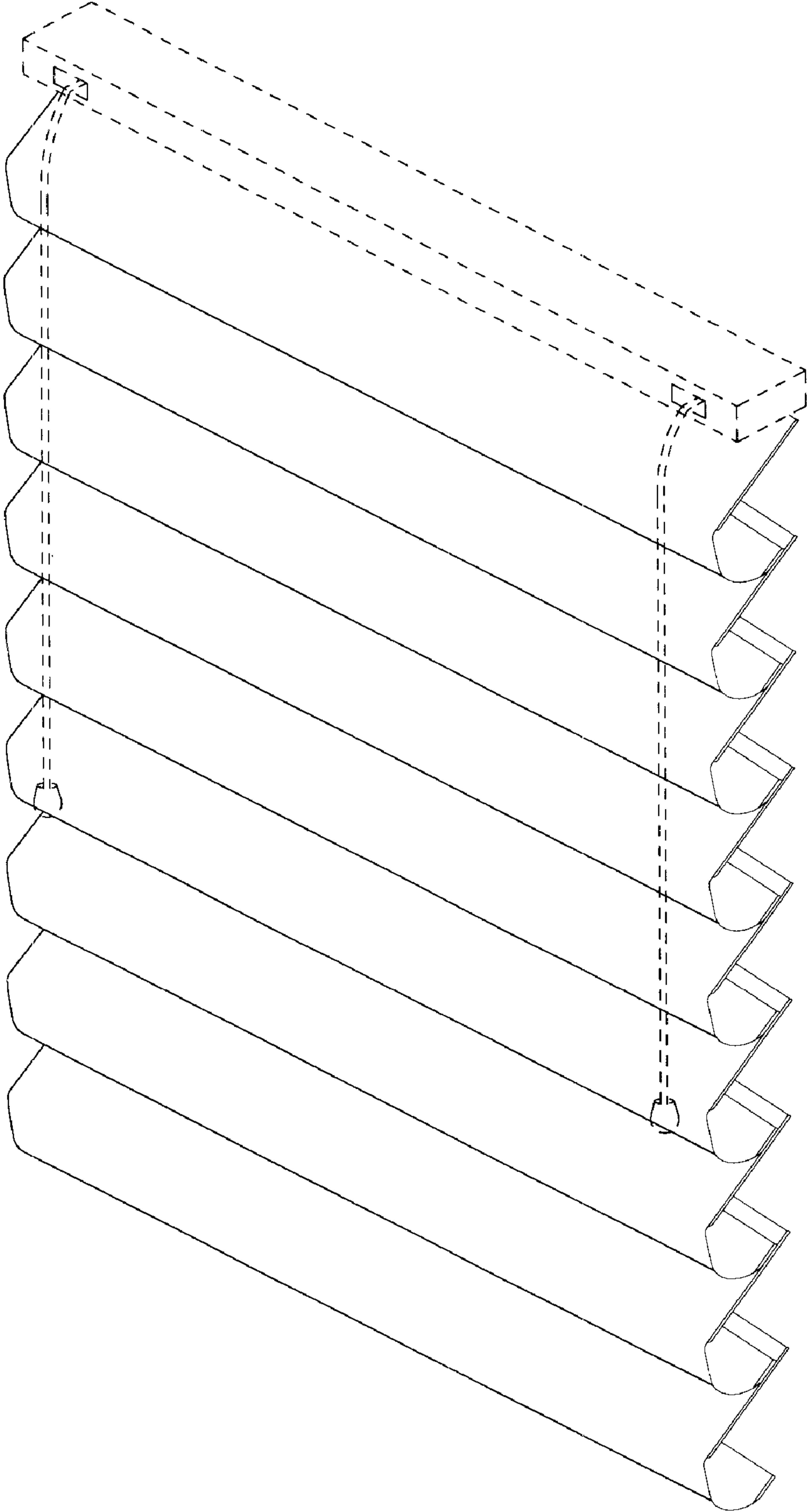


FIG. 6

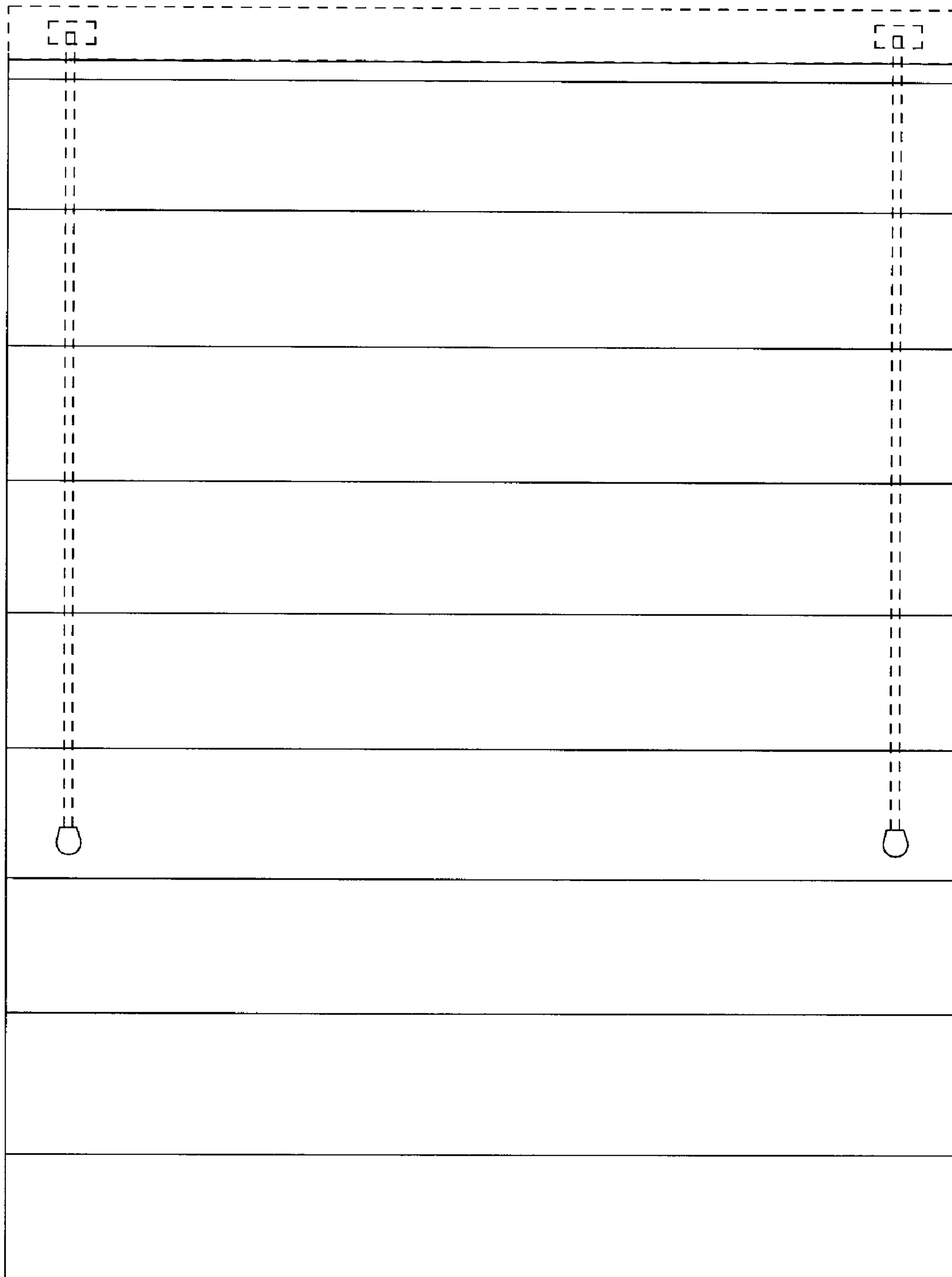


FIG. 7

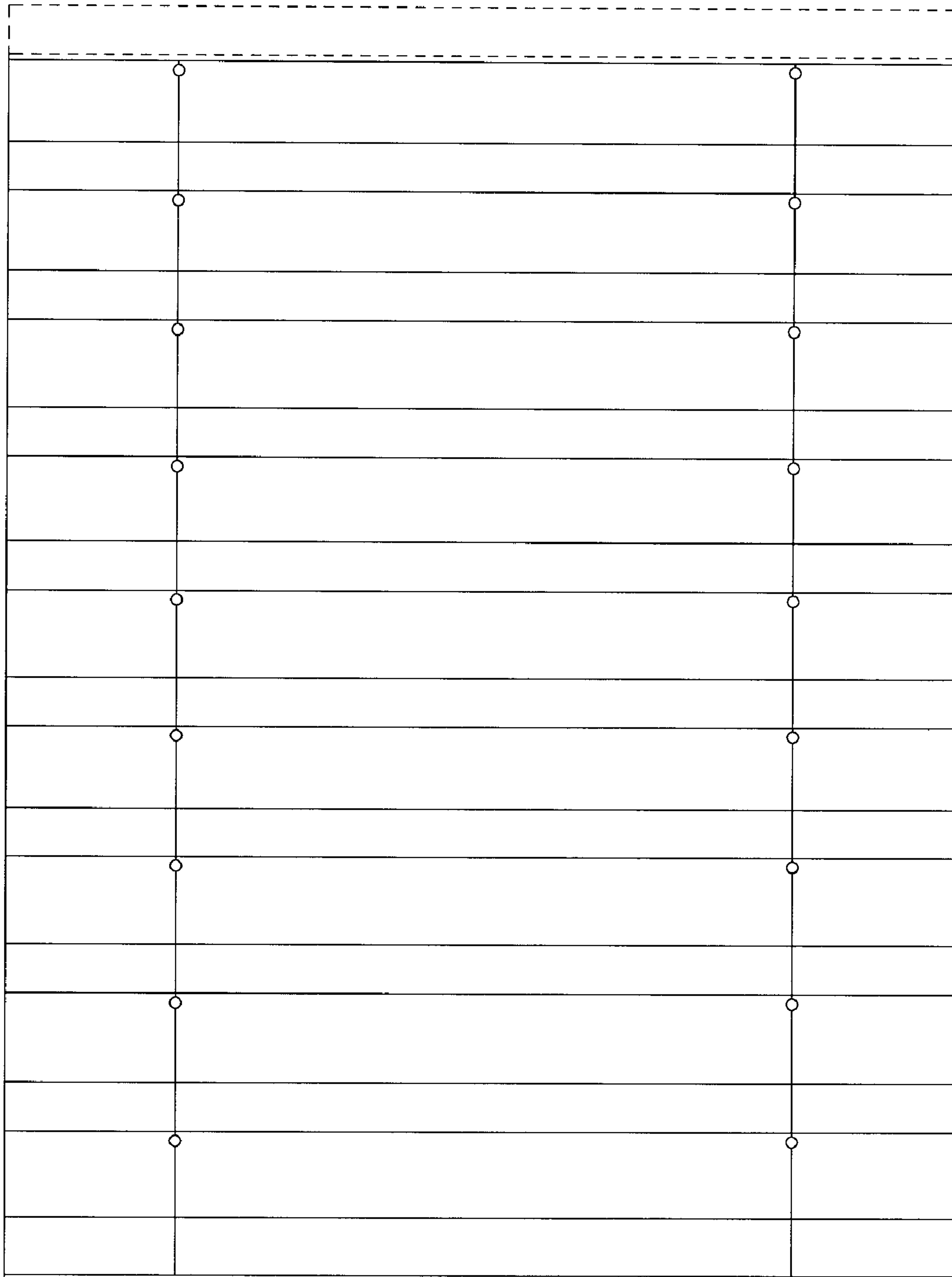


FIG. 8

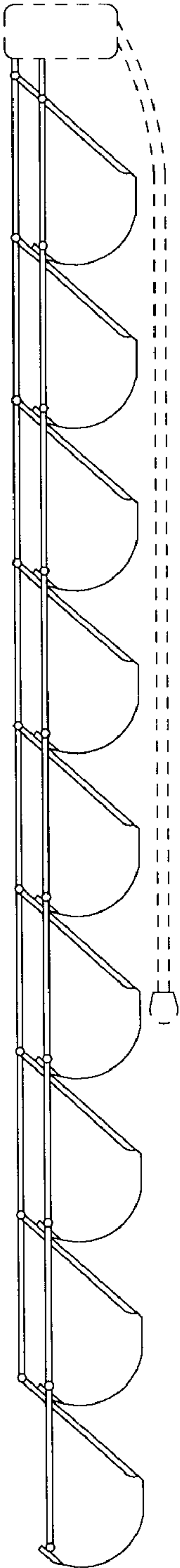


FIG. 9

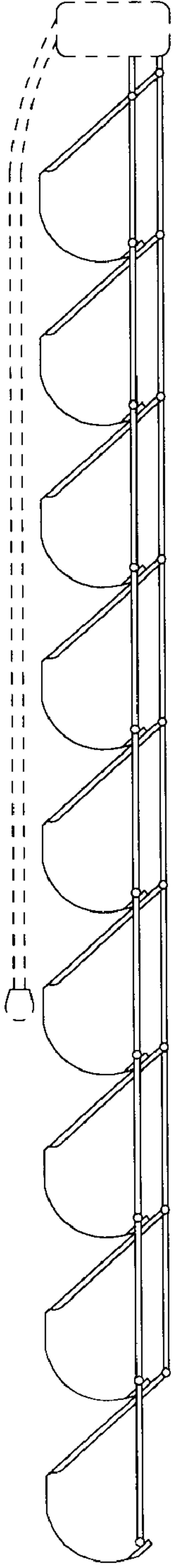


FIG. 10

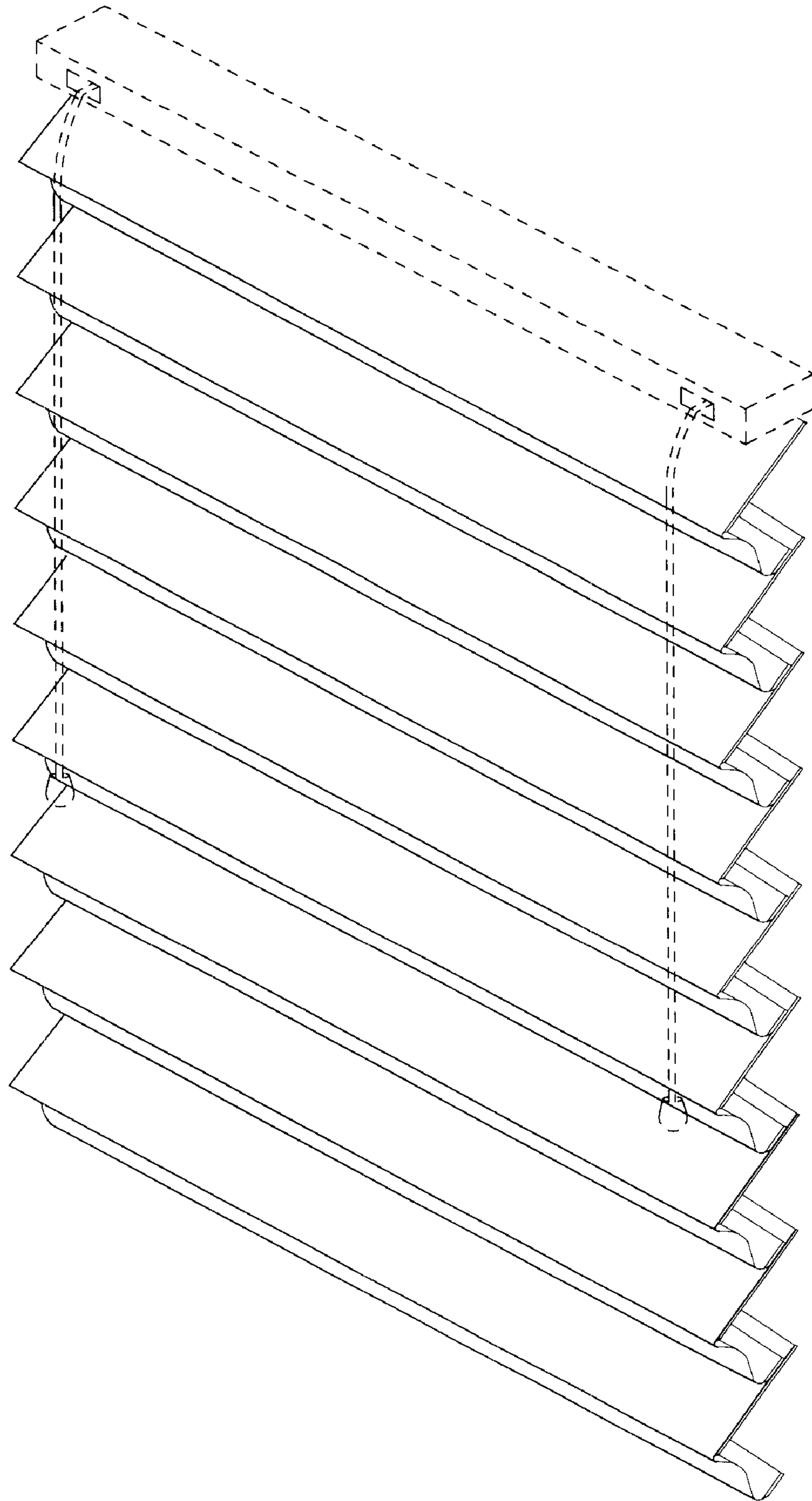


FIG. 11

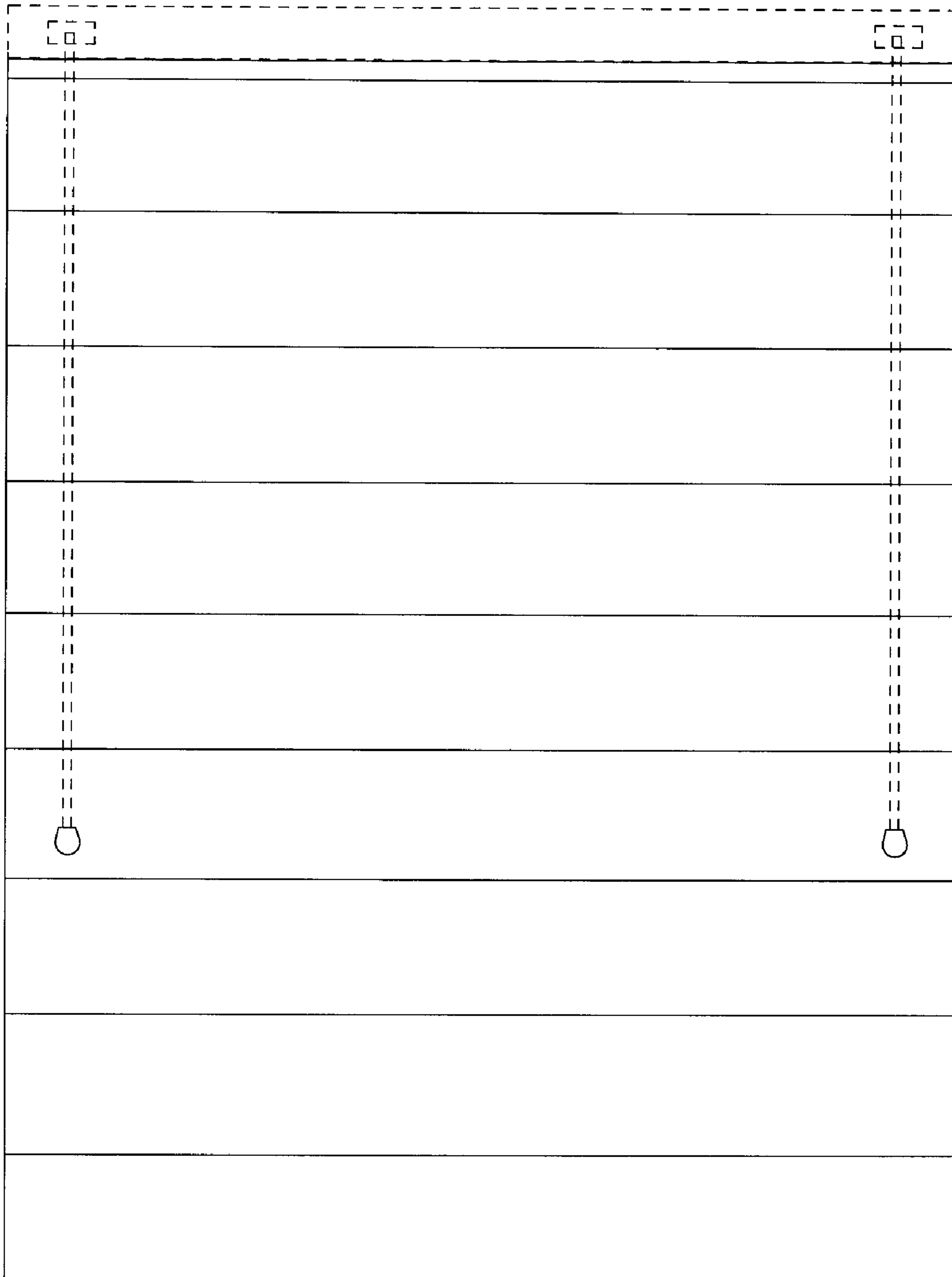


FIG. 12

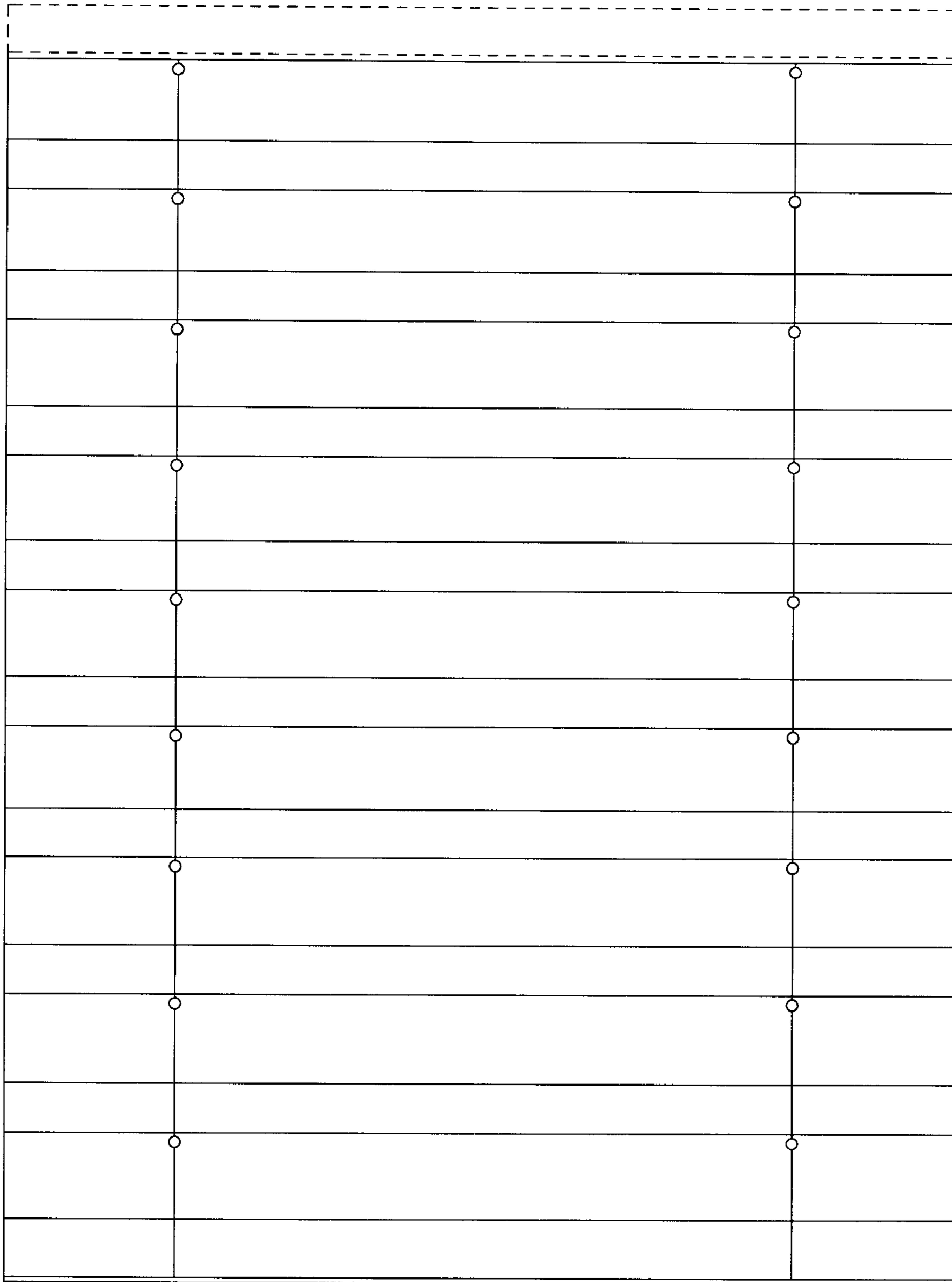


FIG. 13

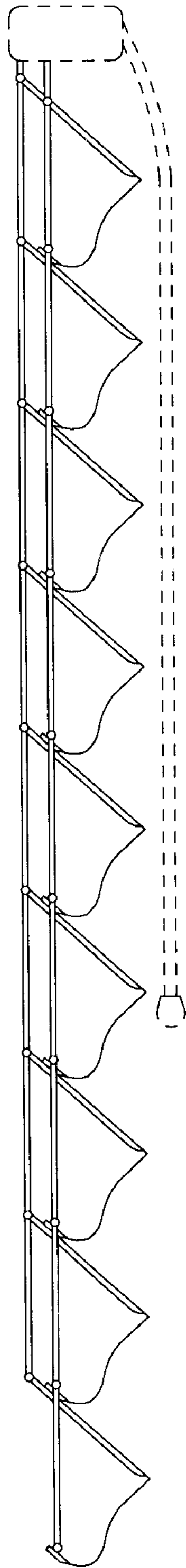


FIG. 14

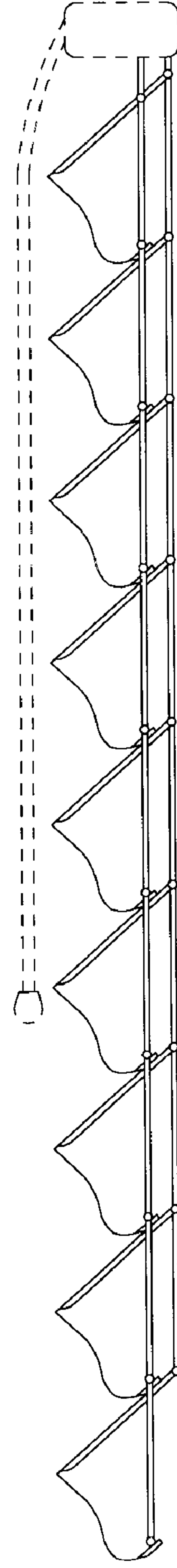


FIG. 15