



US00D510830S

(12) **United States Design Patent**  
**Brandon**

(10) **Patent No.:** **US D510,830 S**  
(45) **Date of Patent:** **\*\* \*Oct. 25, 2005**

(54) **CABINET PANEL**

(75) **Inventor:** **John Brandon**, Attaica, NY (US)

(73) **Assignee:** **Wellborn Holdings, Inc.**, Ashland, AL (US)

(\*) **Notice:** This patent is subject to a terminal disclaimer.

(\*\*) **Term:** **14 Years**

(21) **Appl. No.:** **29/158,557**

(22) **Filed:** **Apr. 5, 2002**

(51) **LOC (8) Cl.** ..... **06-06**

(52) **U.S. Cl.** ..... **D6/510**

(58) **Field of Search** ..... D6/432-448, 492, D6/494, 509, 510, 559-561; 312/107, 198, 204, 257.1, 278, 279

(56) **References Cited**

**U.S. PATENT DOCUMENTS**

D304,983 S	*	12/1989	Palka	.....	D6/492
D323,563 S	*	1/1992	Picasso	.....	D25/138
D338,718 S	*	8/1993	Izzo	.....	D6/494 X
D375,424 S	*	11/1996	Burwick	.....	D6/492
D408,169 S	*	4/1999	Welborn, Jr.	.....	D6/445
D411,060 S	*	6/1999	Horn	.....	D6/445
D412,072 S	*	7/1999	Horn	.....	D6/437
D416,720 S	*	11/1999	Draheim et al.	.....	D6/510
D418,334 S	*	1/2000	Brandon	.....	D6/492
D467,756 S	*	12/2002	Mattick	.....	D6/446

\* cited by examiner

*Primary Examiner*—Cathron C. Brooks

(74) *Attorney, Agent, or Firm*—Lanier Ford Shaver & Payne PC; Coats & Bennett, PLLC

(57) **CLAIM**

The ornamental design for a cabinet panel, as shown and described.

**DESCRIPTION**

FIG. 1 is front elevational view of the cabinet panel.

FIG. 2 is a rear elevational view of the cabinet panel and forms no part of the claimed design.

FIG. 3 is a sectional view of the cabinet panel shown in FIG. 1.

FIG. 3A is an enlarged view of a portion of FIG. 3.

FIG. 4 is a front elevational view of an alternate design of the cabinet panel.

FIG. 5 is a rear elevational view of the cabinet panel shown in FIG. 4 and forms no part of the claimed design.

FIG. 6 is a sectional view of the cabinet panel shown in FIG. 4.

FIG. 7 is a front elevational view of another alternative design of the cabinet panel.

FIG. 8 is a rear elevational view of the cabinet panel shown in FIG. 7 and forms no part of the claimed design.

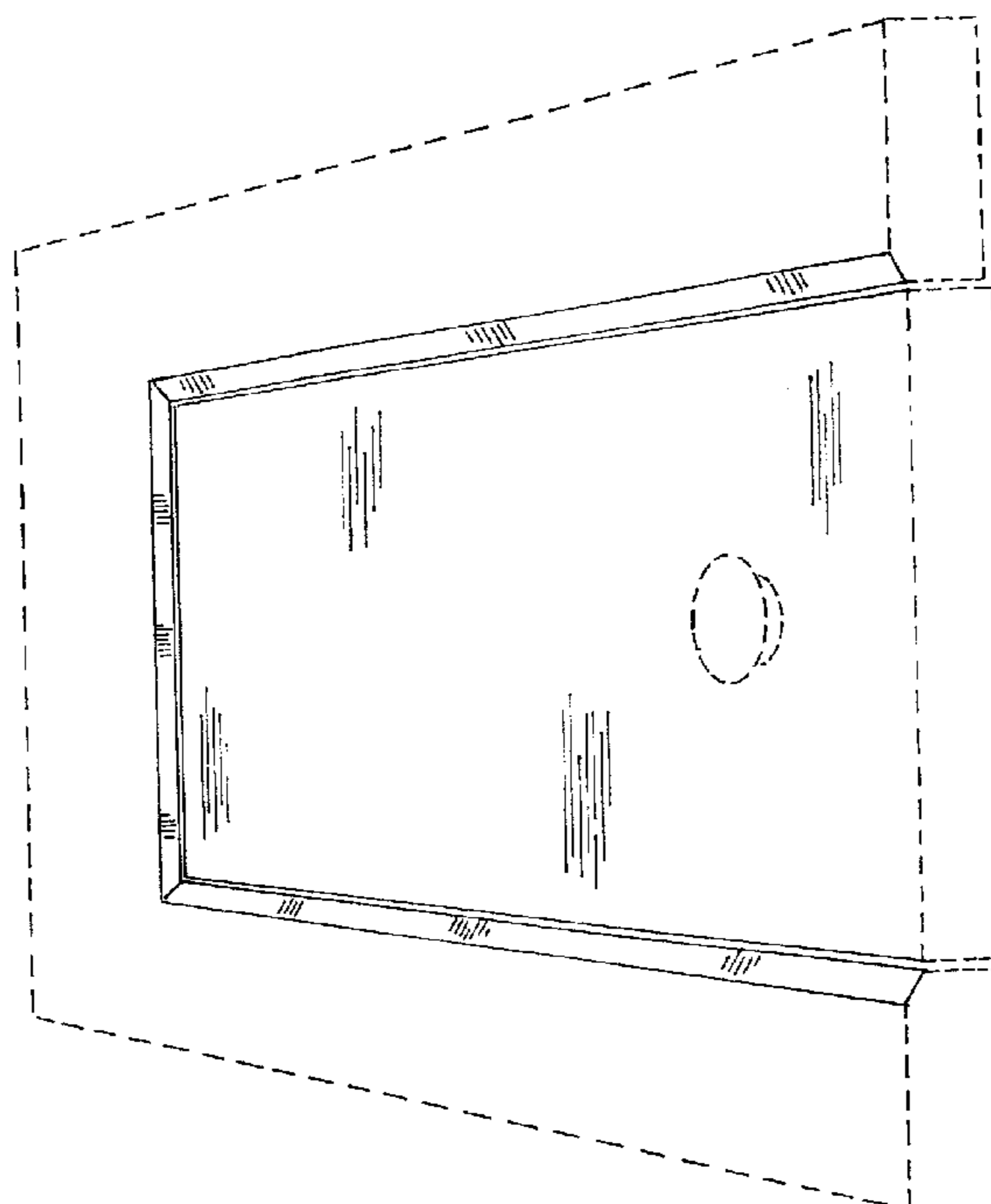
FIG. 9 is a sectional view of the cabinet panel of FIG. 7; and, FIG. 10 is an enlarged view of the bevel detail, which detail is shared by all three embodiments, as specifically seen in FIGS. 3, 6 and 9.

The upper, lower and side edges of the cabinet panels shown in FIGS. 1-10 form no part of the claimed design.

The broken lines form no part of the claimed design.

The characteristic feature of the design resides in a bevel surface that surrounds an interior drawer or door panel where the interior edge of the bevel surface lies approximately flush with the interior drawer or door panel.

**1 Claim, 10 Drawing Sheets**



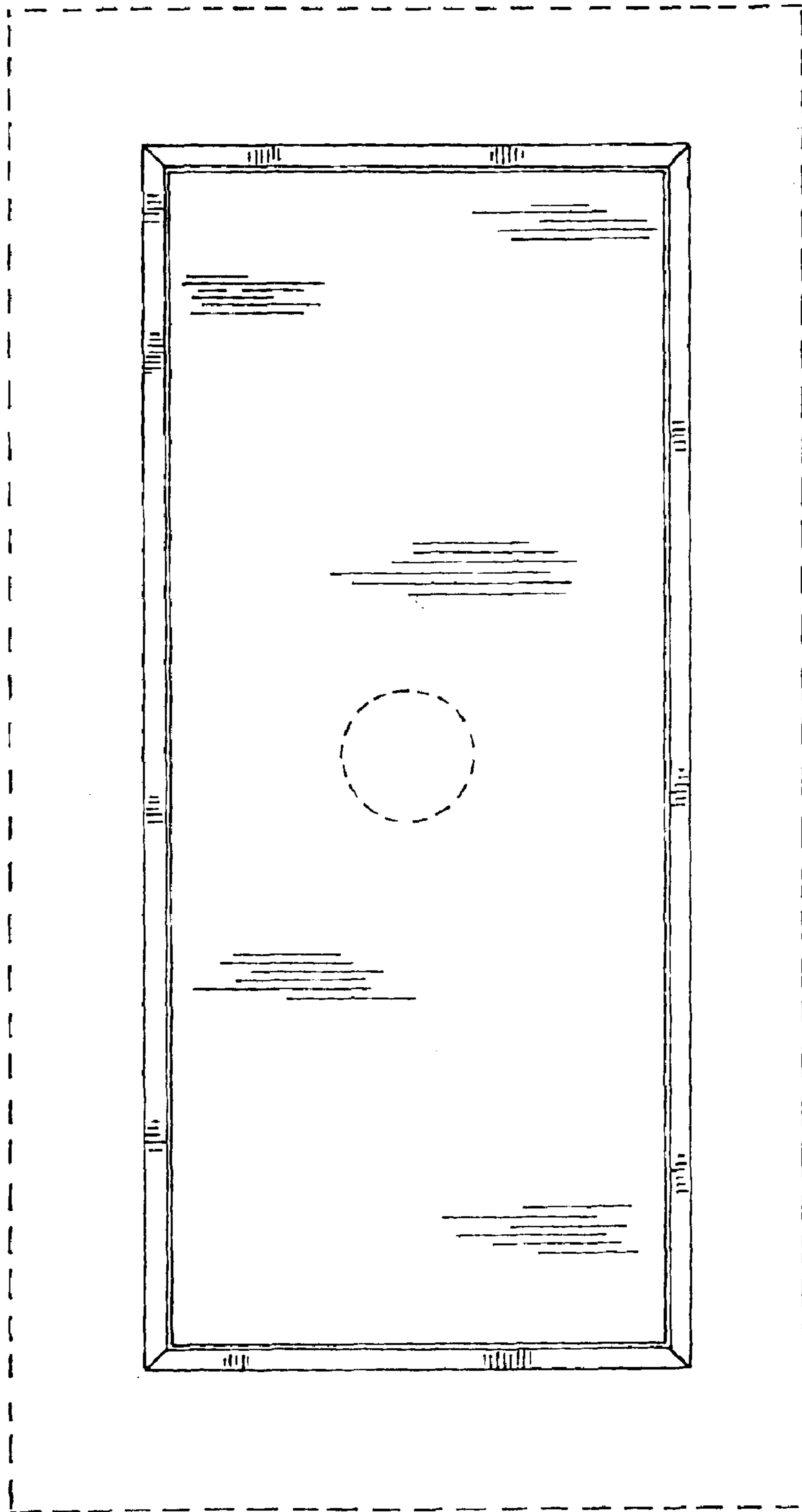


FIG. 1

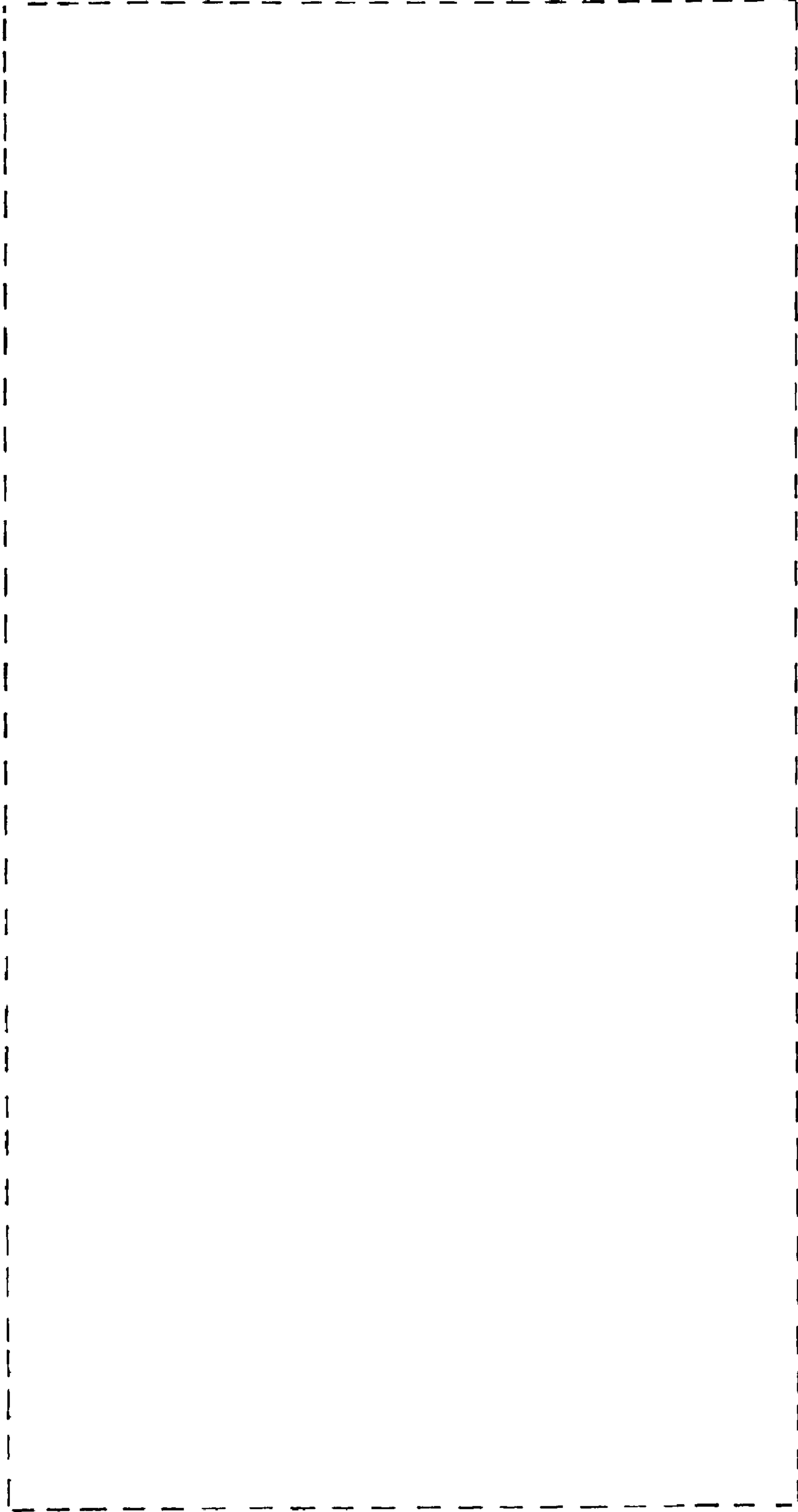


FIG. 2

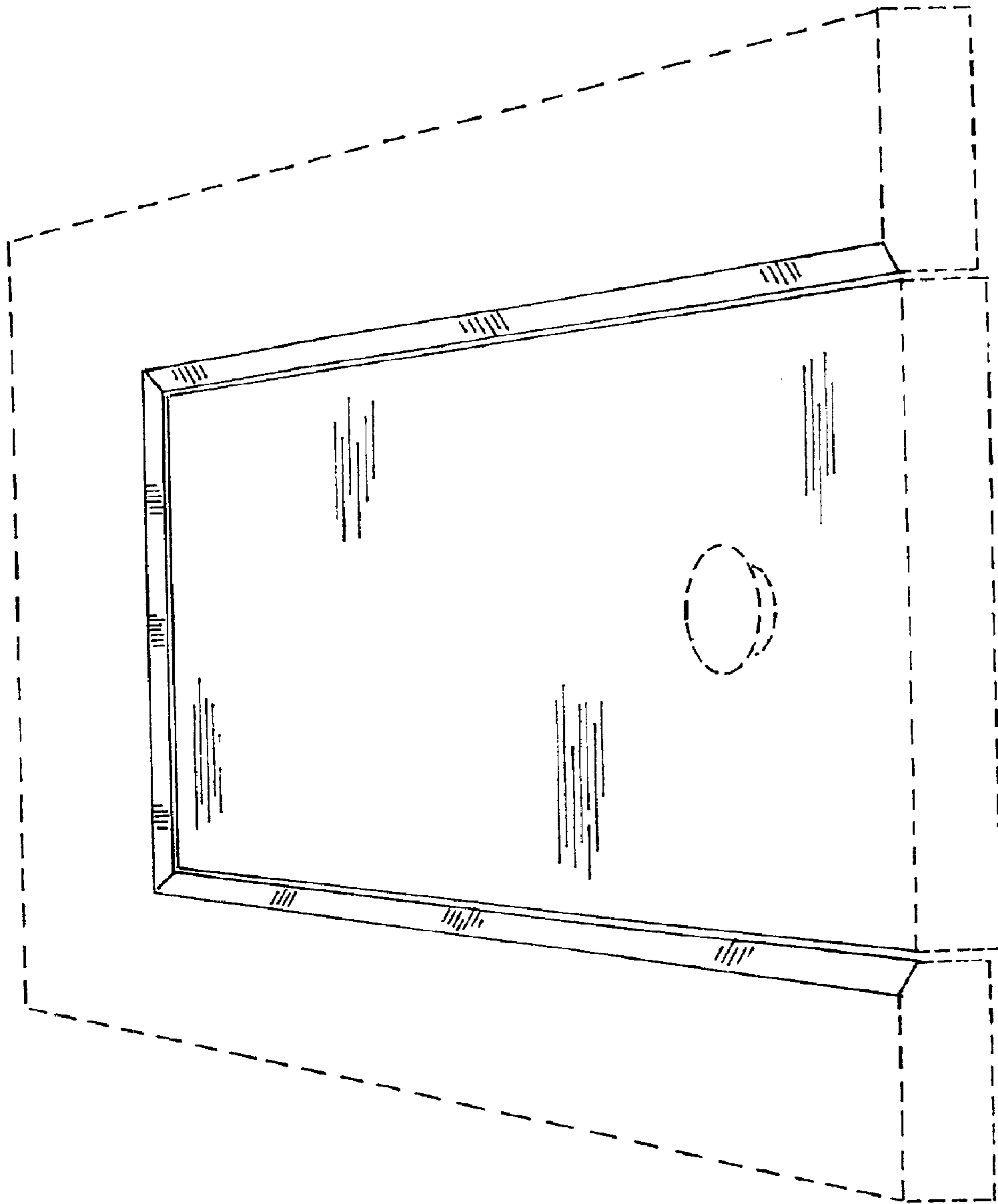


FIG. 3

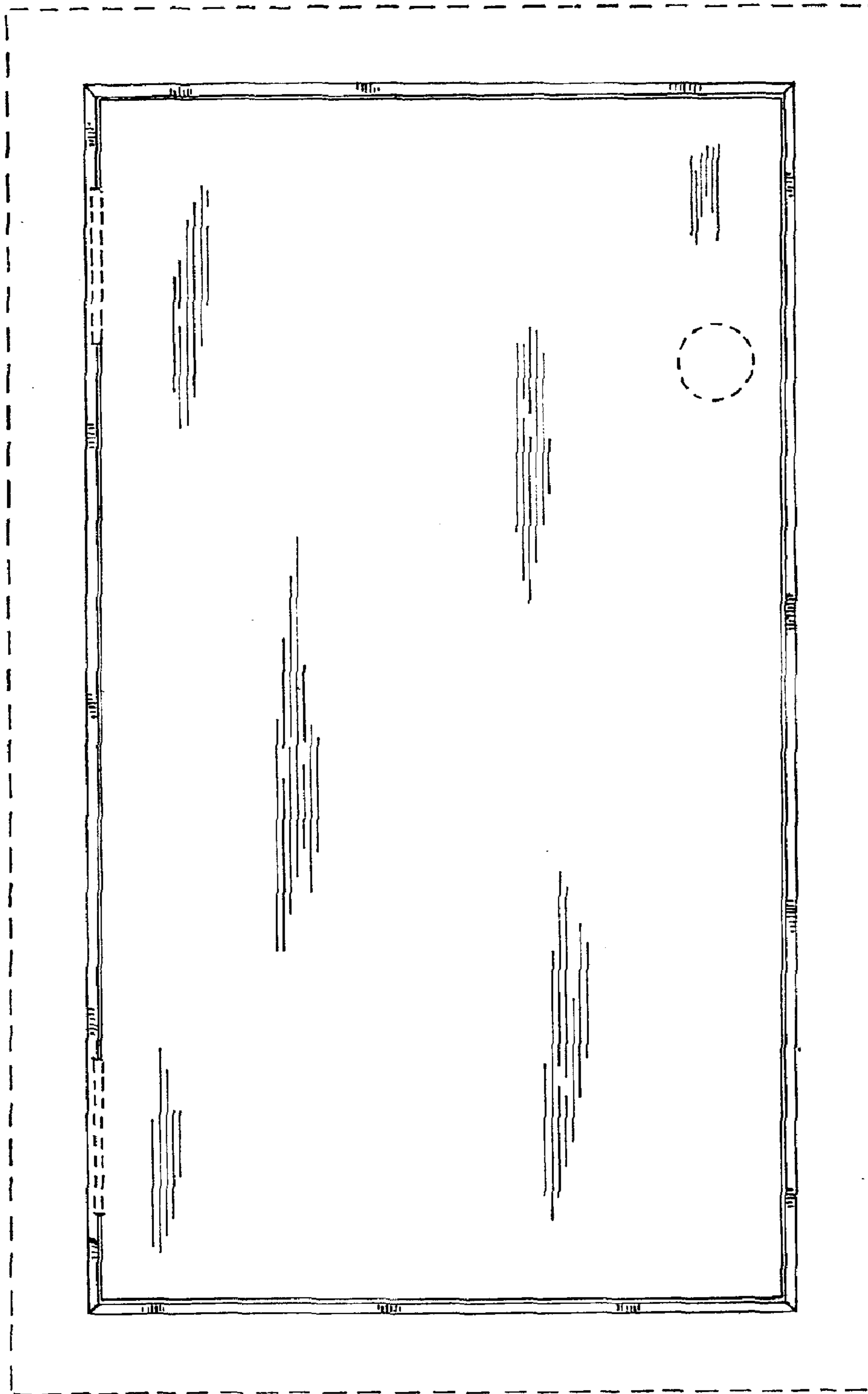


Fig. 4

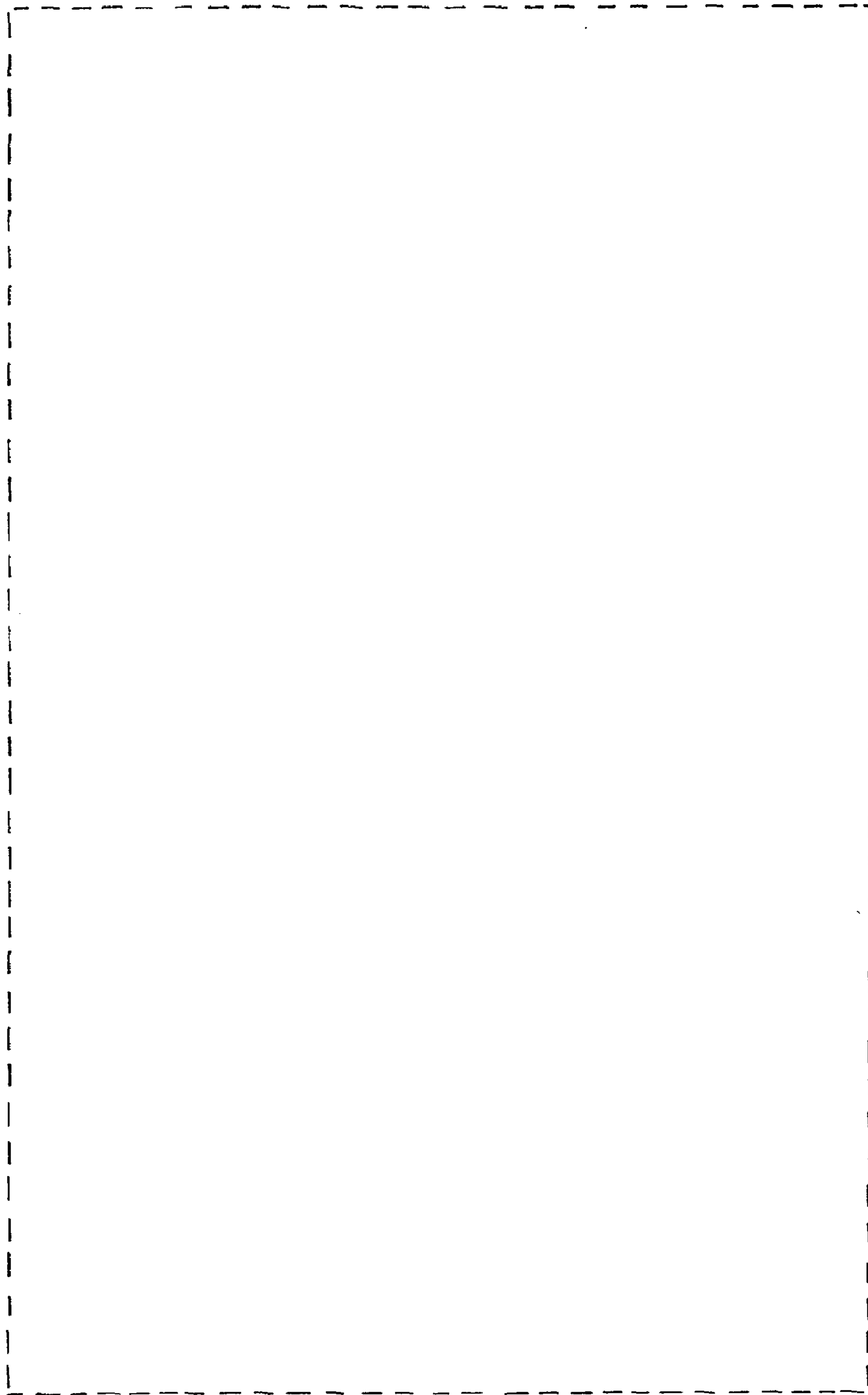


Fig. 5

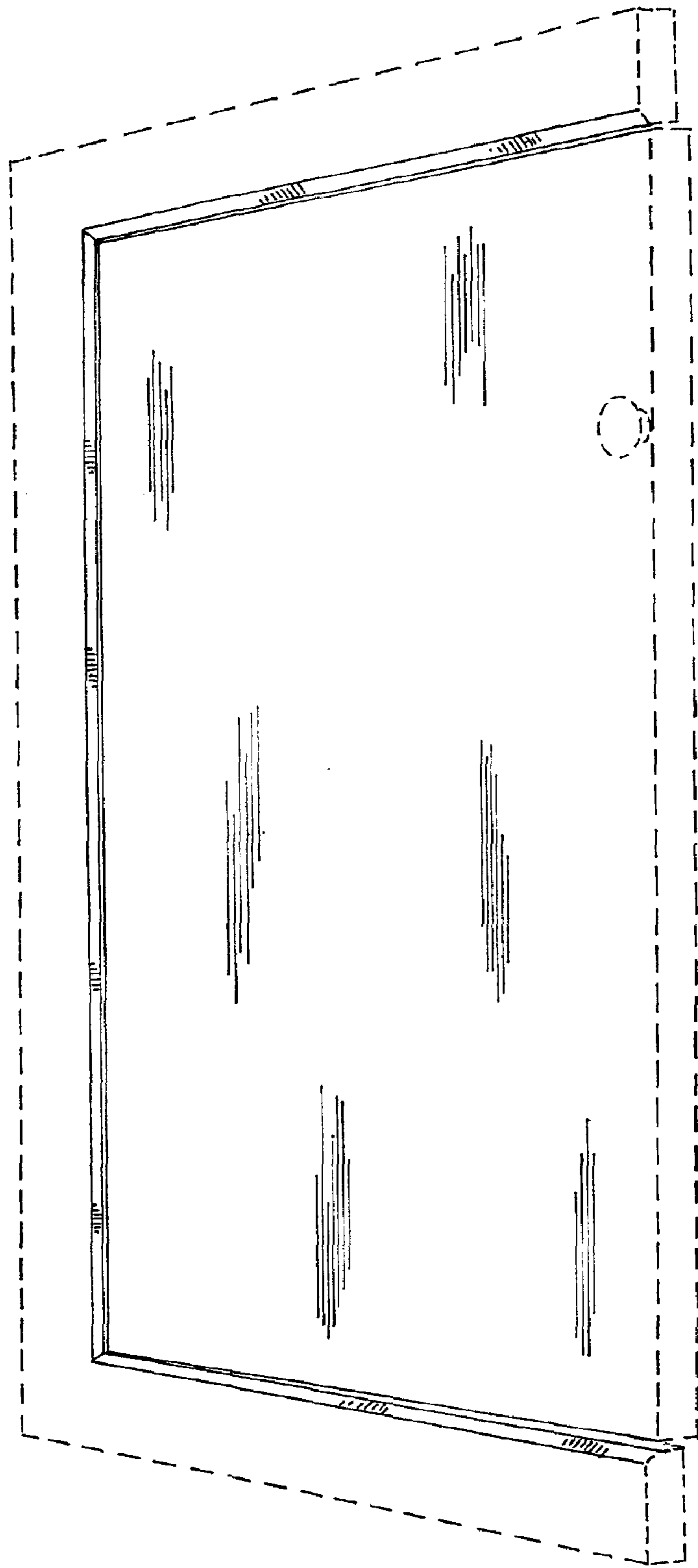


Fig. 6

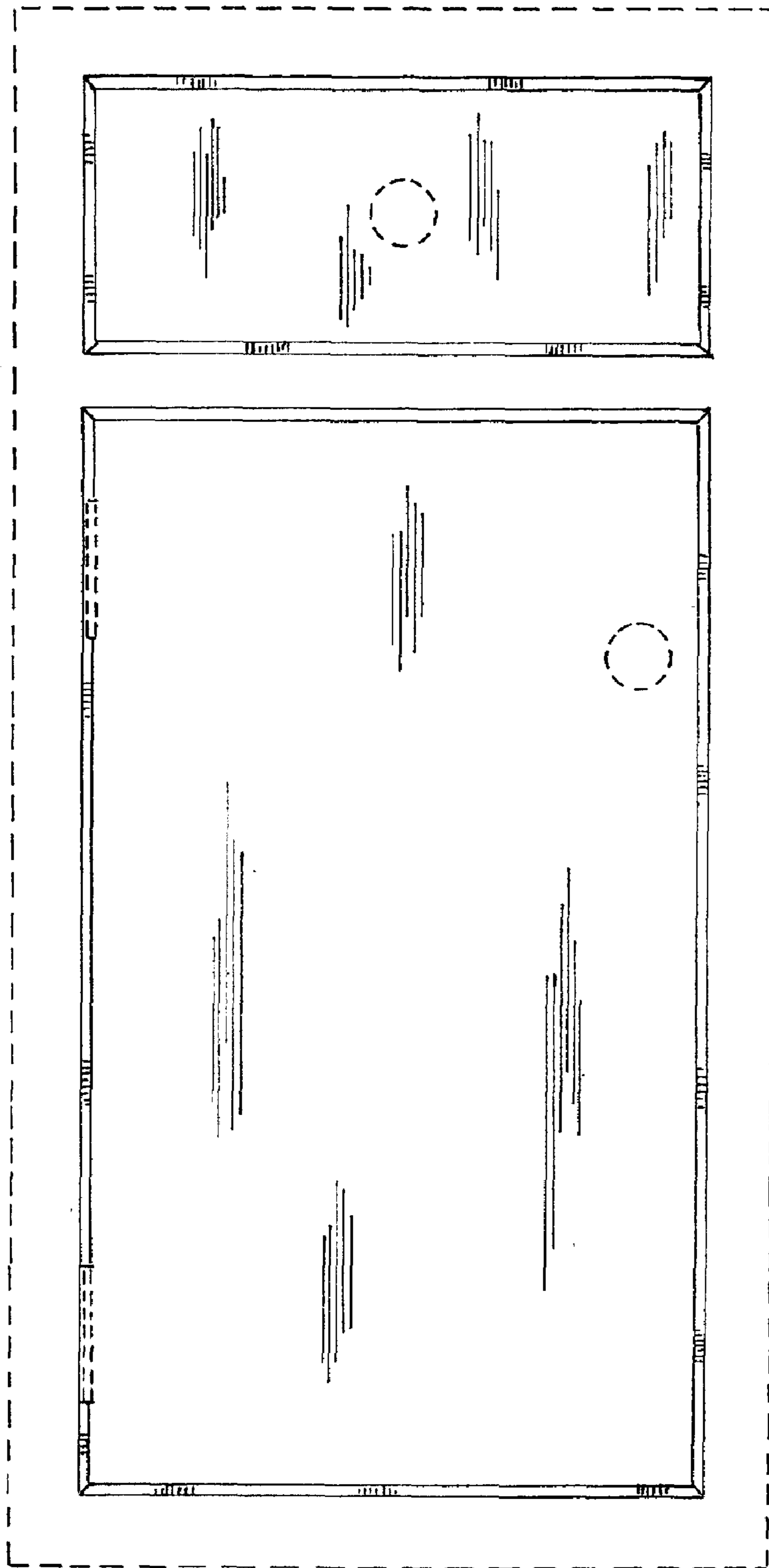


Fig. 7



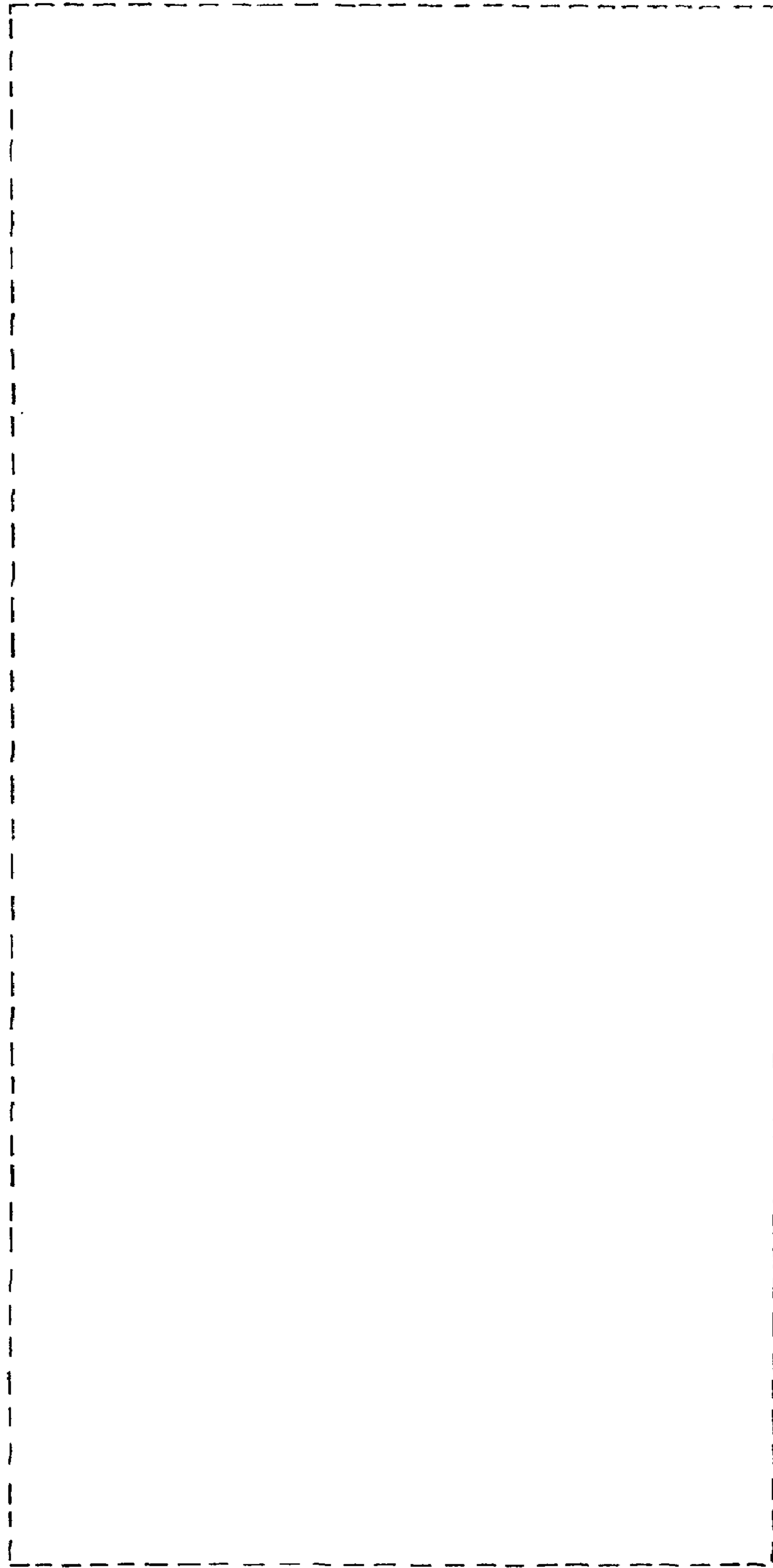


Fig. 8

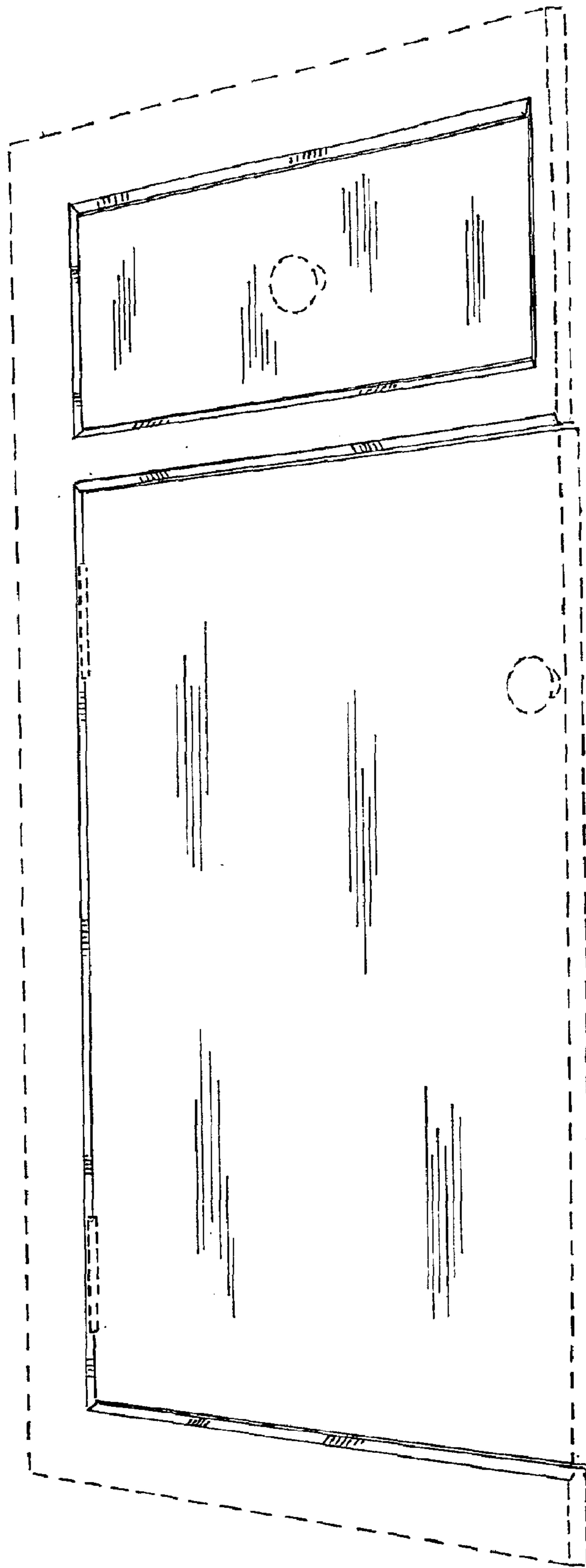


Fig. 9

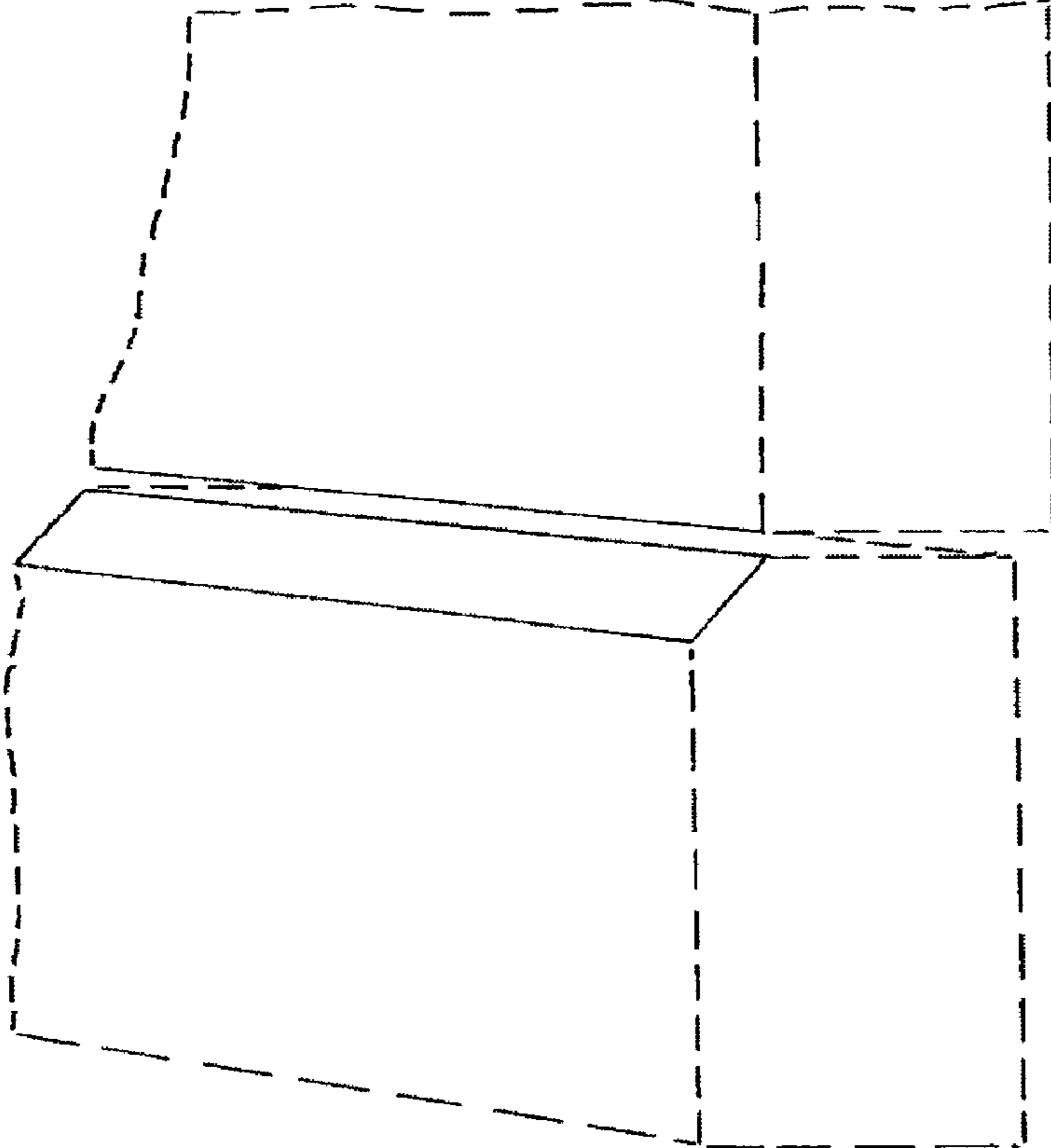


Fig. 10