



US00D510824S

(12) **United States Design Patent**  
**Moore, Sr.**

(10) **Patent No.:** **US D510,824 S**  
(45) **Date of Patent:** **\*\* Oct. 25, 2005**

(54) **BILLIARD TABLE LEG**

(75) Inventor: **William D. Moore, Sr.**, Colfax, NC  
(US)

(73) Assignee: **Brunswick Bowling & Billiards Corporation**, Muskegon, MI (US)

(\*\*) Term: **14 Years**

(21) Appl. No.: **29/190,119**

(22) Filed: **Sep. 15, 2003**

(51) **LOC (8) Cl.** ..... **06-06**

(52) **U.S. Cl.** ..... **D6/495**

(58) **Field of Search** ..... D6/480-489, 495,  
D6/499, 497, 451, 429; 108/150, 153.1,  
155, 156, 157.1, 161; 248/188, 188.1, 188.8;  
D21/783

(56) **References Cited**

**U.S. PATENT DOCUMENTS**

- D798 S \* 5/1856 Bosworth ..... D6/495
- D33,713 S \* 12/1900 Pryibil ..... D21/783
- D435,745 S \* 1/2001 Lovell ..... D6/495

**OTHER PUBLICATIONS**

Web page print-out [http://www.brunswickbilliards.com/history/antique\\_tables/algeria.html](http://www.brunswickbilliards.com/history/antique_tables/algeria.html) dated May 27, 2004 regarding Brunswick Billiards "Algeria" billiards table.

Web page print-out [http://www.brunswickbilliards.com/history/antique\\_tables/century.html](http://www.brunswickbilliards.com/history/antique_tables/century.html) dated May 27, 2004 regarding Brunswick Billiards "Century" billiards table.

Web page print-out [http://www.brunswickbilliards.com/history/antique\\_tables/challenge.html](http://www.brunswickbilliards.com/history/antique_tables/challenge.html) dated May 27, 2004 regarding Brunswick Billiards "Challenge" billiards table.

Web page print-out [http://www.brunswickbilliards.com/history/antique\\_tables/eclipse.html](http://www.brunswickbilliards.com/history/antique_tables/eclipse.html) dated May 27, 2004 regarding Brunswick Billiards "Eclipse" billiards table.

\* cited by examiner

*Primary Examiner*—Janice E. Seeger

(74) *Attorney, Agent, or Firm*—Dykema Gossett PLLC

(57) **CLAIM**

The ornamental design for a billiard table leg, as shown and described.

**DESCRIPTION**

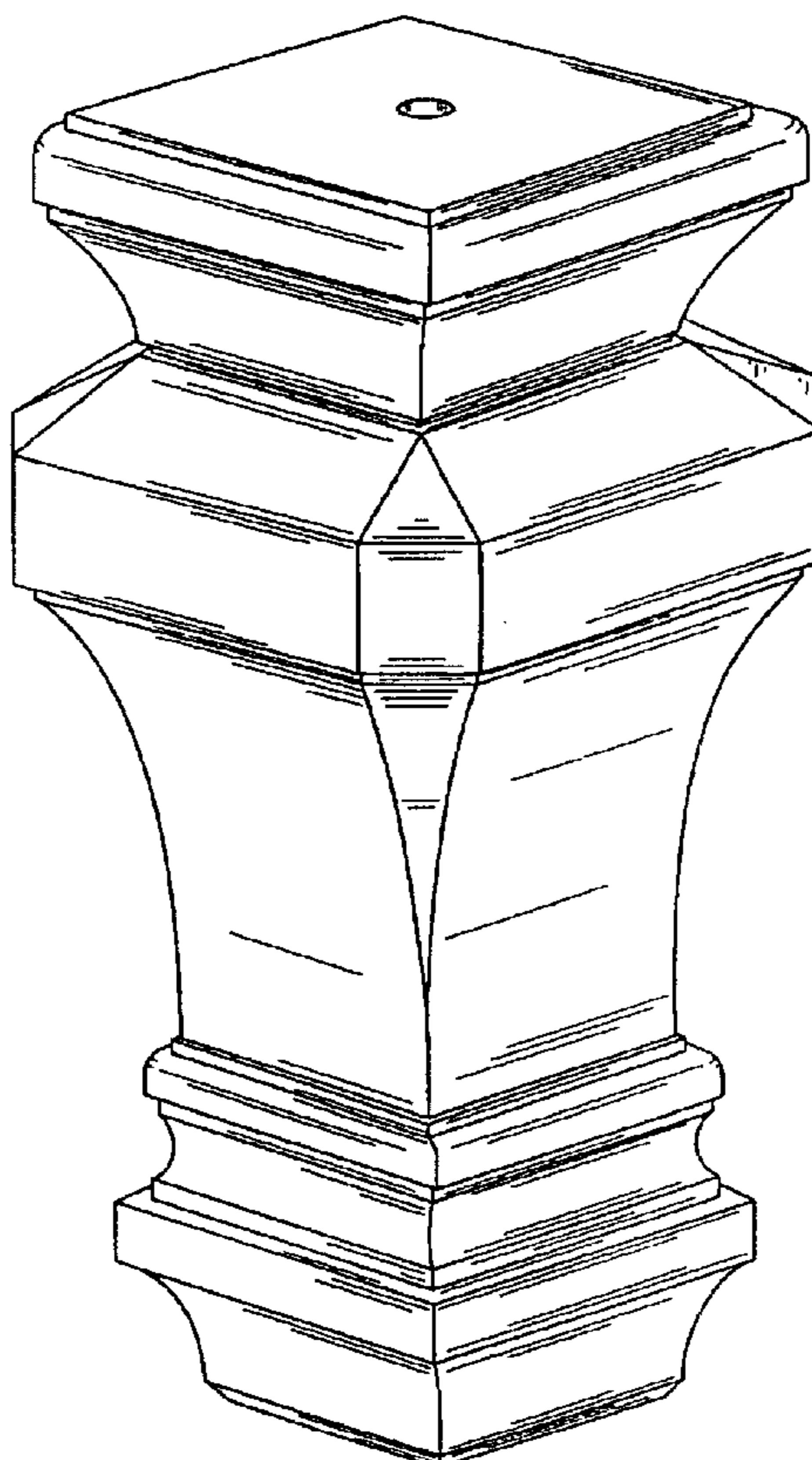
FIG. 1 is a side elevational view of a billiard table leg showing my new design.

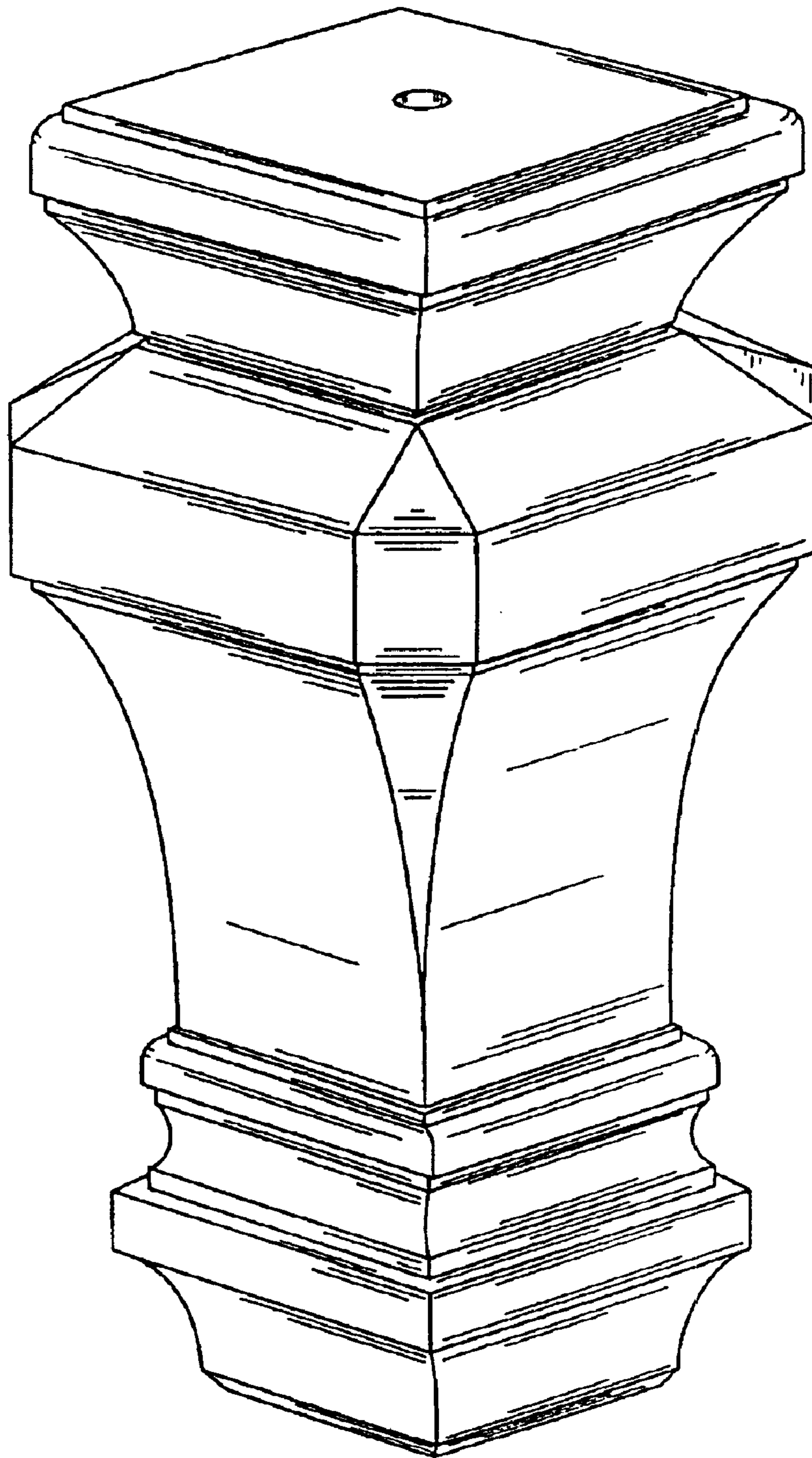
FIG. 2 is a front elevational view of a billiard table leg shown in FIG. 1.

FIG. 3 is an enlarged top view of the billiard table leg shown in FIG. 1; and,

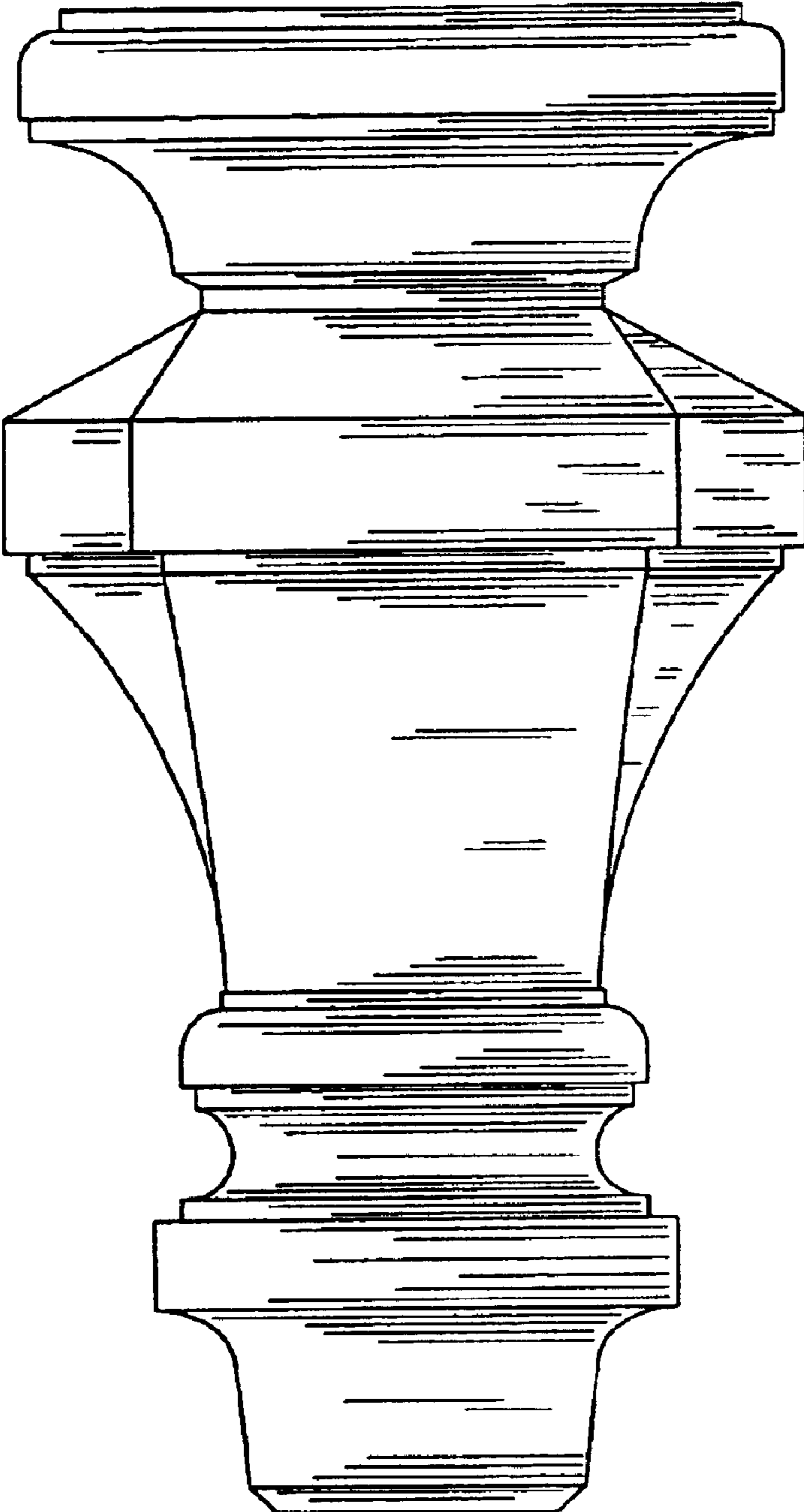
FIG. 4 is an enlarged bottom view of the billiard table leg shown in FIG. 1.

**1 Claim, 3 Drawing Sheets**

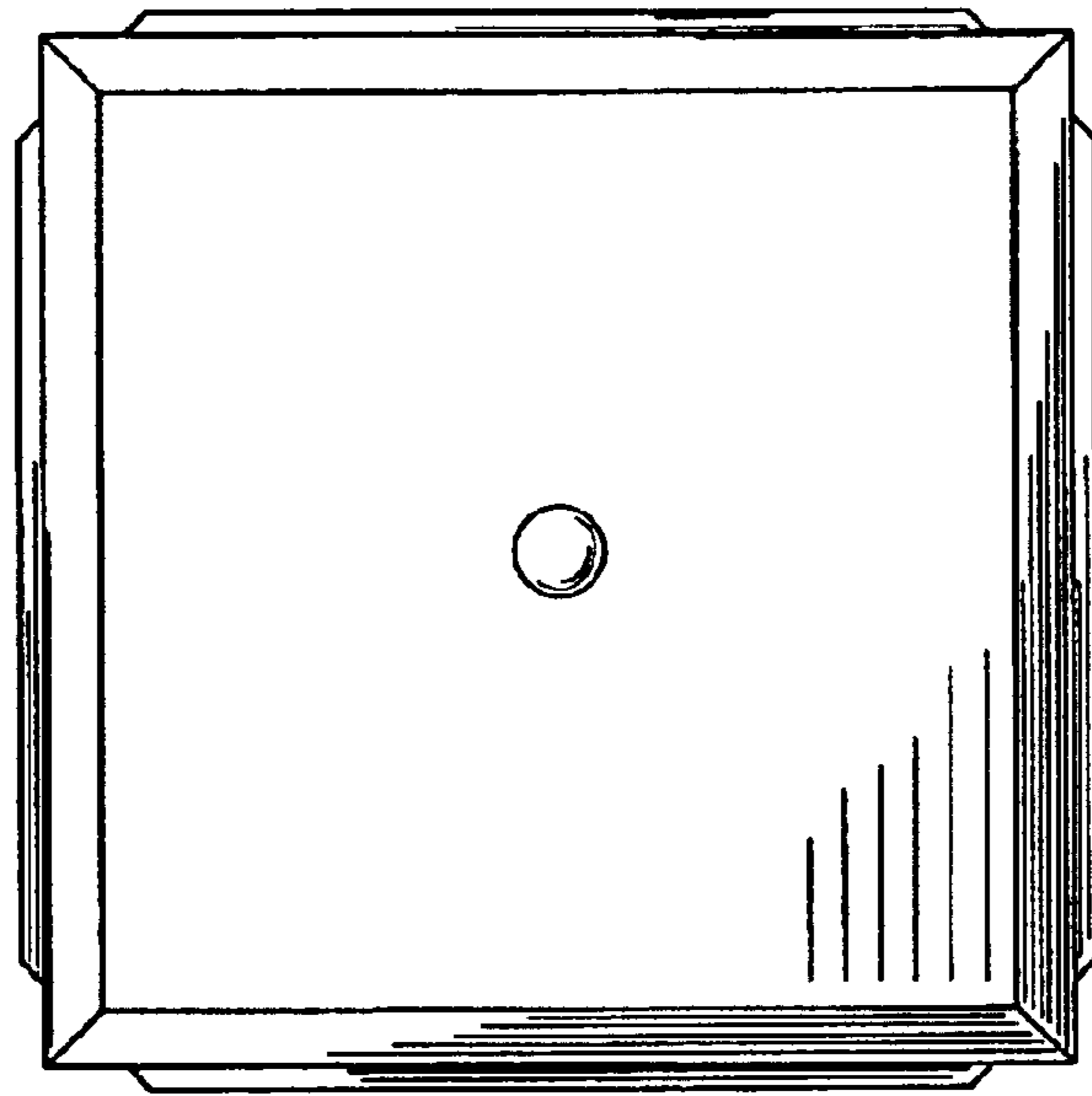




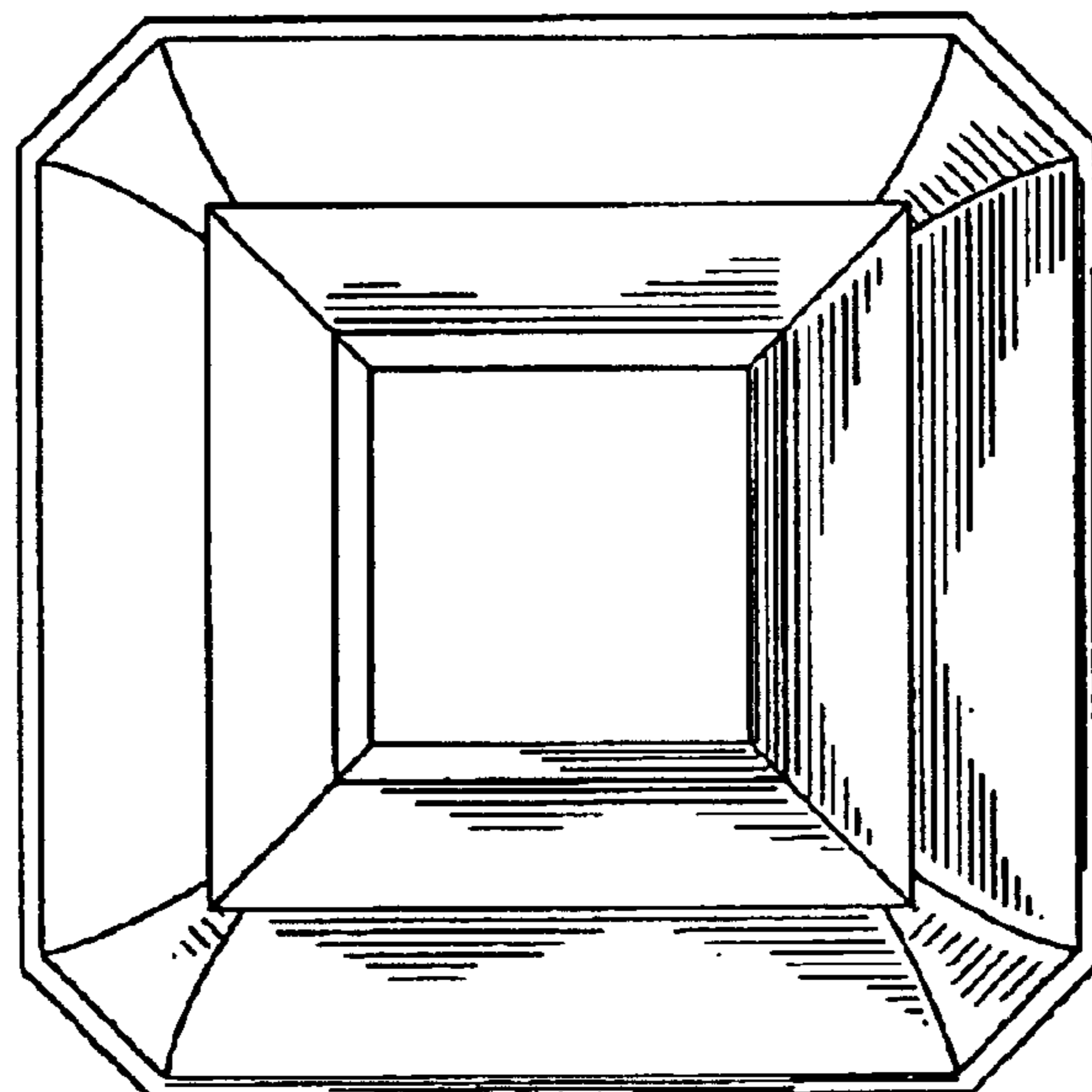
**FIG. 1**



**FIG. 2**



**FIG. 3**



**FIG. 4**