



US00D510821S

(12) **United States Design Patent**
Madison

(10) **Patent No.:** **US D510,821 S**
(45) **Date of Patent:** **** Oct. 25, 2005**

(54) **COMPUTER DESK FOR A FLIP-UP FLAT SCREEN MONITOR**

6,286,440 B1 9/2001 Jyringi
D457,757 S * 5/2002 Nevarez D6/480

(75) Inventor: **Gregory P. Madison**, Story, WY (US)

(Continued)

(73) Assignee: **Electronic Classroom Furniture Systems, LLC**, Story, WY (US)

Primary Examiner—Janice E. Seeger

(**) Term: **14 Years**

(57) **CLAIM**

The ornamental design for an computer desk for a flip-up flat screen monitor, as shown and described.

(21) Appl. No.: **29/198,553**

DESCRIPTION

(22) Filed: **Jan. 30, 2004**

(51) **LOC (8) Cl.** **06-03**

(52) **U.S. Cl.** **D6/425; D6/480**

(58) **Field of Search** D6/480–489, 495–499, D6/429–431, 425, 511, 477, 422, 428; 108/150, 153.1, 11, 13, 14, 156, 157.1, 161, 50.01, 50.02, 65, 69, 77, 79, 83, 86; 248/188, 188.1, 188.8; 312/223.3

FIG. 1 is a front, off-angle, perspective view of one embodiment of a computer desk for a flip-up flat screen monitor incorporating the new design with the flip up panel in the closed position;

FIG. 2 is a front, off-angle, perspective view of the computer desk of FIG. 1 with the flip up panel and flat screen monitor in the raised position;

FIG. 3 is a front elevation view of the computer desk of FIG. 1 with the flip up panel in the closed position;

FIG. 4 is a rear elevation view of the computer desk of FIG. 3;

FIG. 5 is a left side elevation view of the computer desk of FIG. 3;

FIG. 6 is a right side elevation view of the computer desk of FIG. 3;

FIG. 7 is a top plan view of the computer desk of FIG. 3;

FIG. 8 is a bottom plan view of the computer desk of FIG. 3;

FIG. 9 is a front elevation view of the computer desk of FIG. 1 with the flip up panel and flat screen monitor in the raised position;

FIG. 10 is a rear elevation view of the computer desk of FIG. 9;

FIG. 11 is a left side elevation view of the computer desk of FIG. 9;

FIG. 12 is a right side elevation view of the computer desk of FIG. 9;

FIG. 13 is a top plan view of the computer desk of FIG. 9; and,

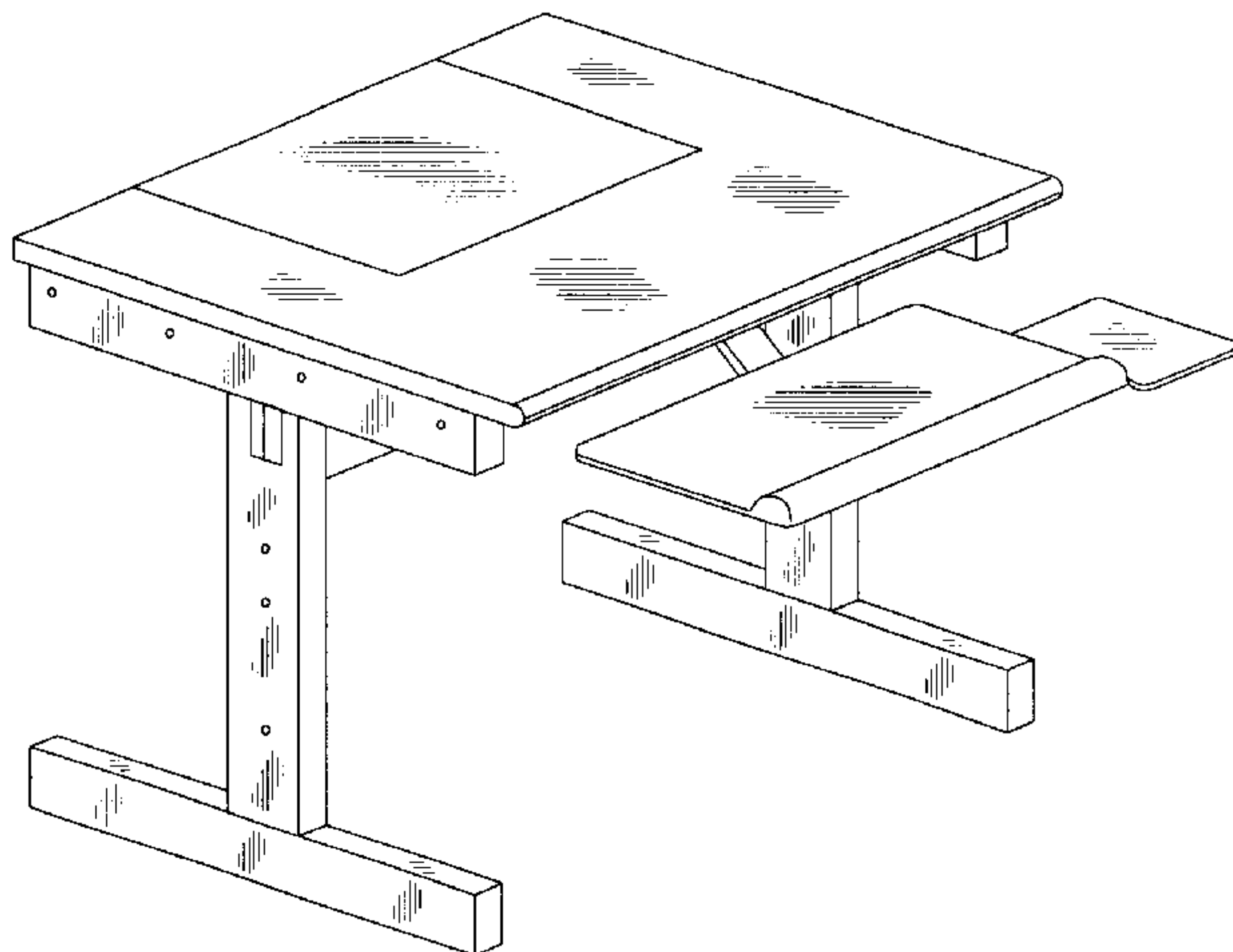
FIG. 14 is a bottom plan view of the computer desk of FIG. 9.

(56) **References Cited**

U.S. PATENT DOCUMENTS

3,635,174 A *	1/1972	Ball et al.	108/150
D278,956 S	5/1985	Gordon	
4,669,789 A	6/1987	Pemberton	
4,766,422 A	8/1988	Wolters et al.	
5,125,727 A	6/1992	Lechman et al.	
5,199,773 A	4/1993	Price, Jr. et al.	
5,290,099 A	3/1994	Lechman	
5,294,193 A	3/1994	Wegman et al.	
5,364,177 A	11/1994	Ugalde	
D368,189 S *	3/1996	Bro et al.	D6/480
D372,601 S	8/1996	Roberts et al.	
5,651,594 A	7/1997	Lechman	
5,699,744 A	12/1997	Lechman	
5,758,934 A	6/1998	Flutka et al.	
6,076,473 A	6/2000	Conte	
6,092,883 A	7/2000	Lechman	
D429,088 S	8/2000	Lechman	
D429,579 S	8/2000	Lechman	
6,170,926 B1	1/2001	Roberts et al.	
D437,506 S	2/2001	Lechman	
D438,401 S	3/2001	Lechman	
D440,069 S	4/2001	Lechman	

1 Claim, 7 Drawing Sheets



US D510,821 S

Page 2

U.S. PATENT DOCUMENTS			
6,418,860 B1	7/2002	Hinderhofer	
6,446,564 B1	9/2002	Anderson	
D469,979 S *	2/2003	Wang	D6/425
			* cited by examiner
		6,553,919 B1	4/2003 Nevin
		D474,920 S *	5/2003 Holt
		6,609,465 B2	8/2003 Kolavo
			D6/425

FIG. 1

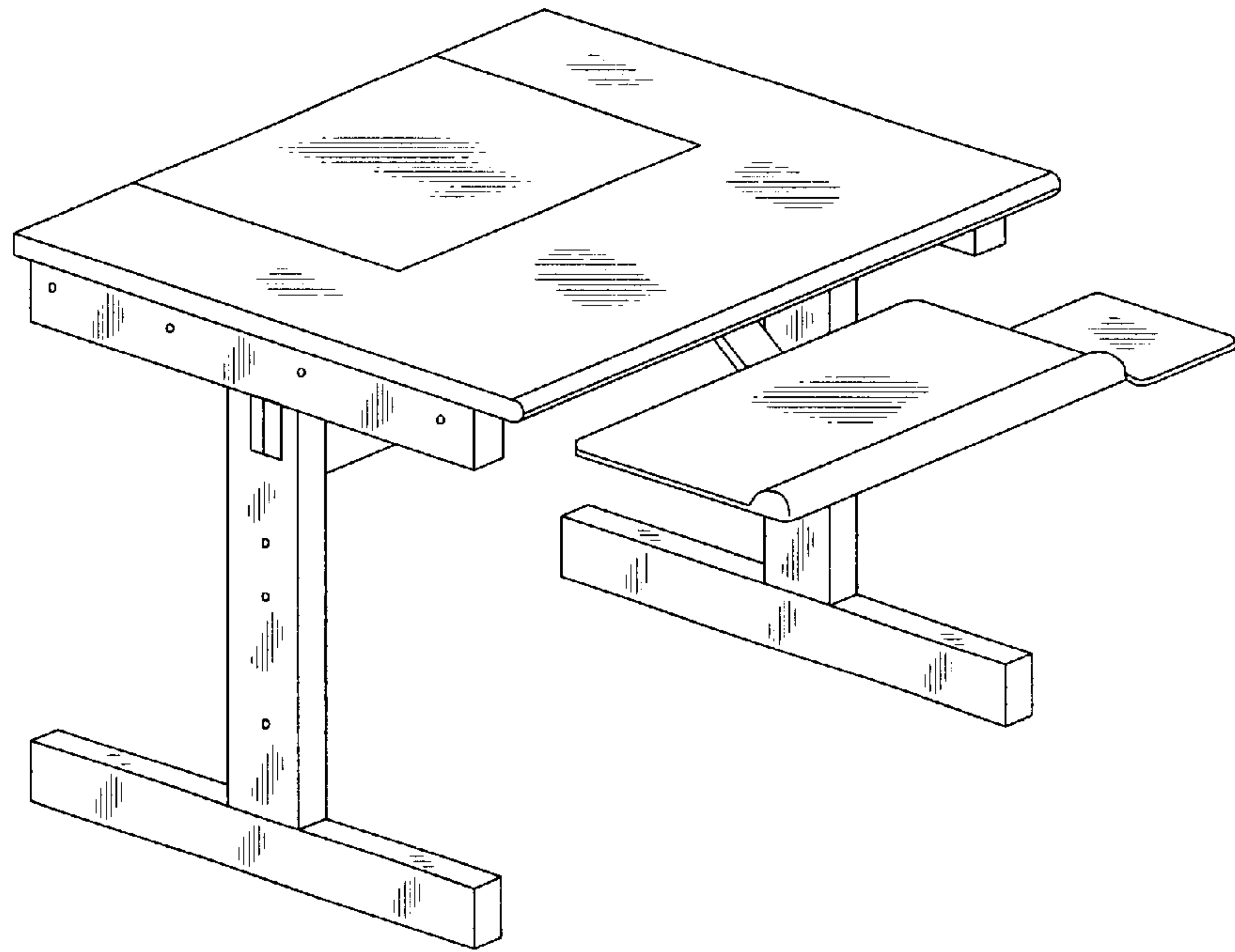
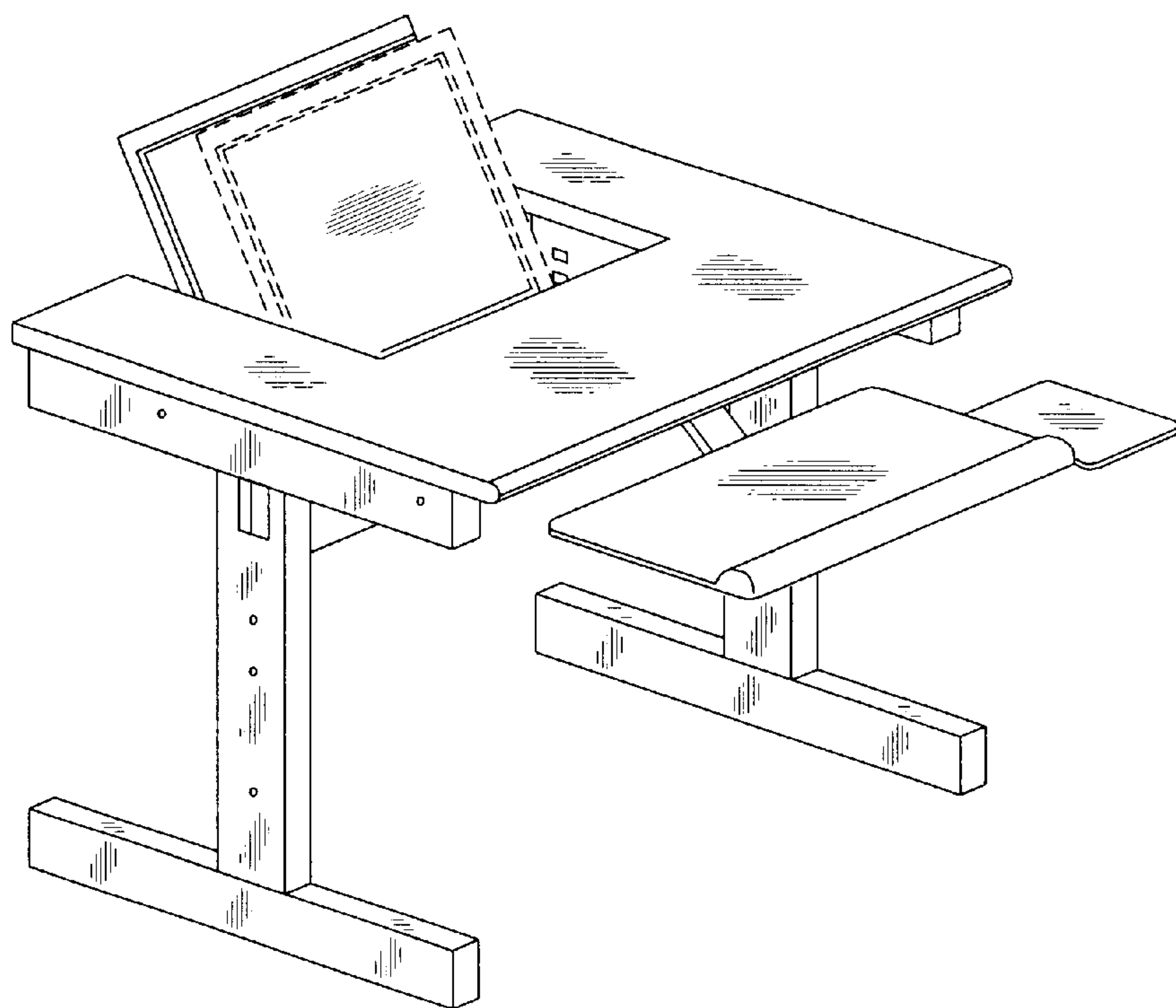


FIG. 2



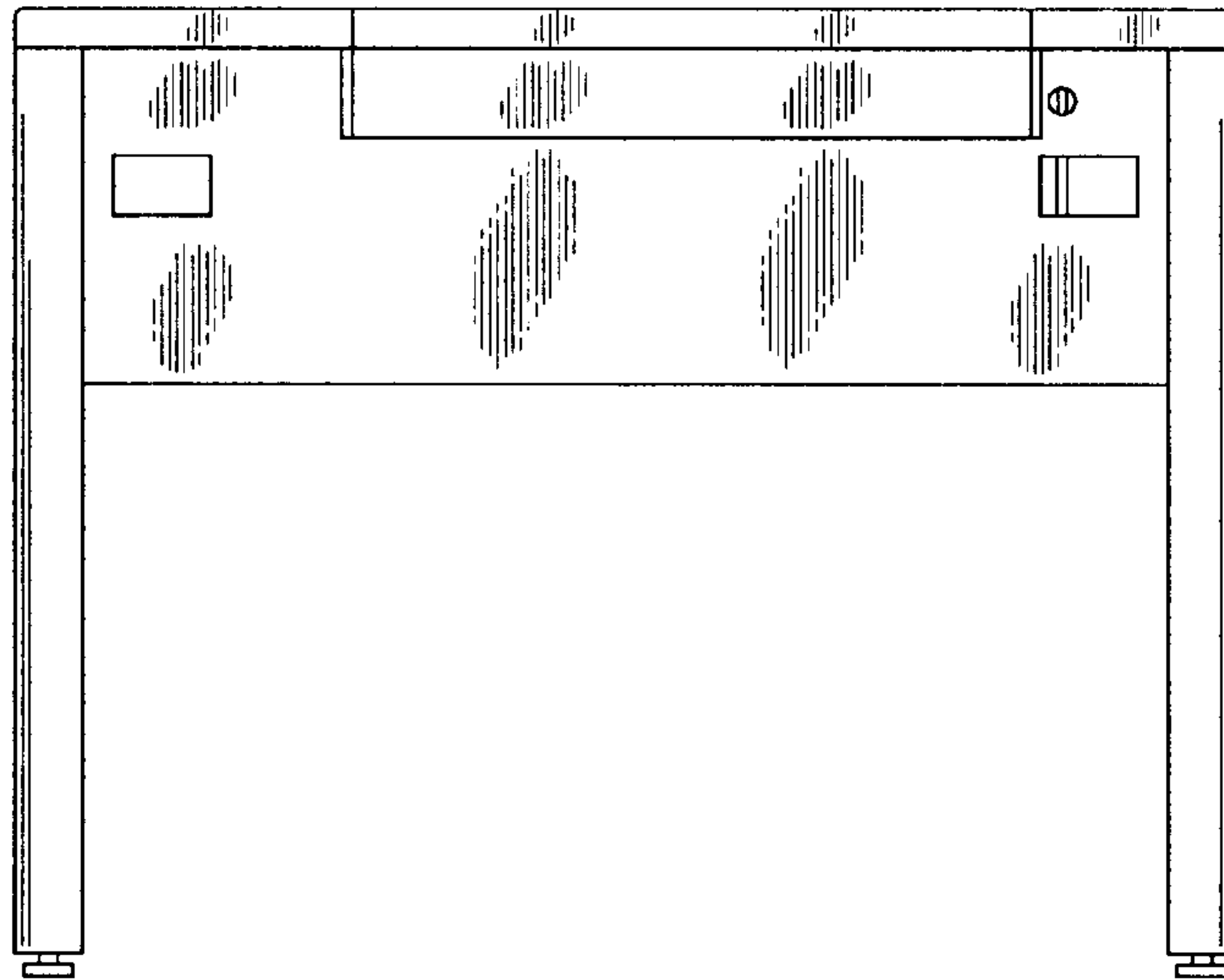


FIG. 3

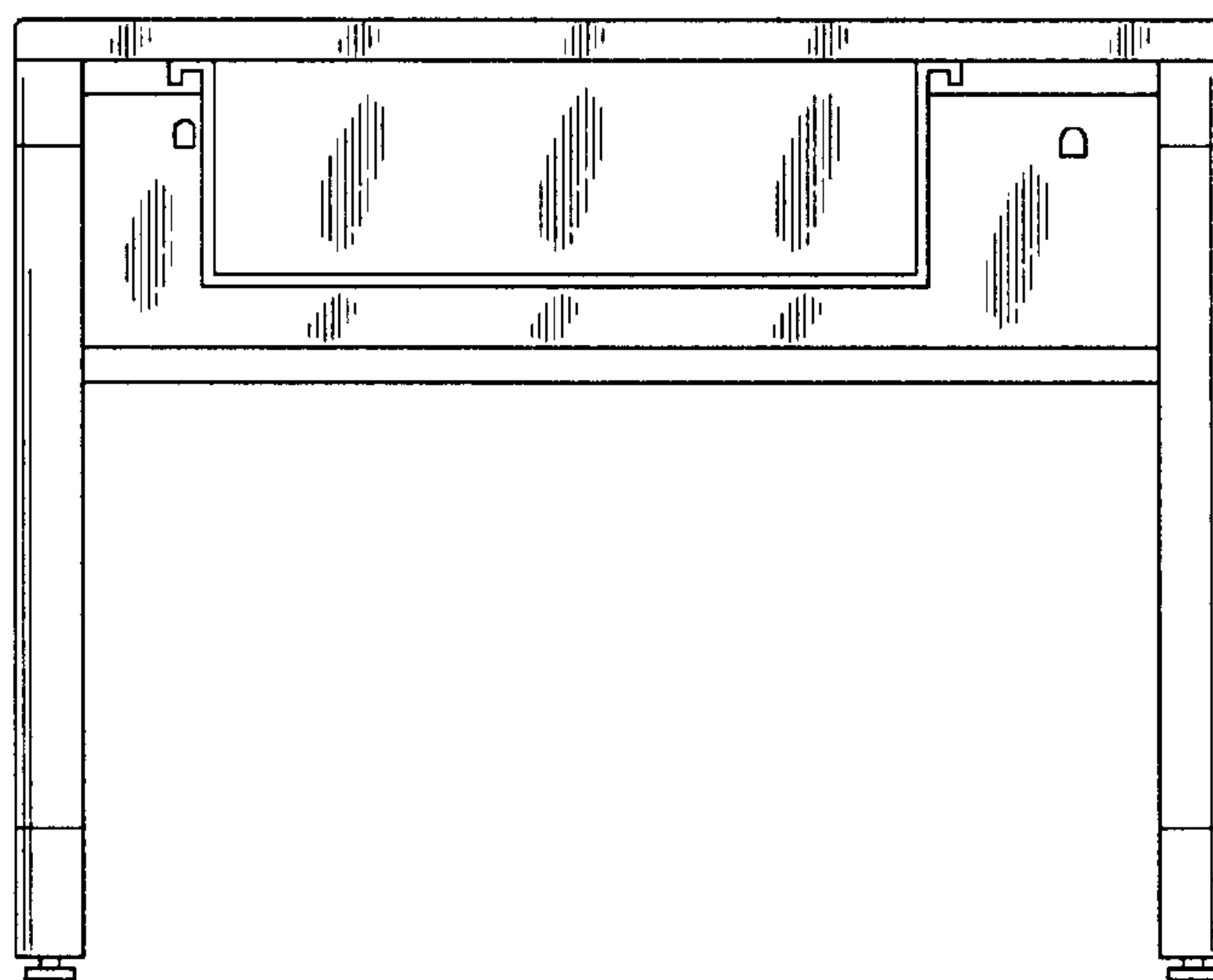


FIG. 4

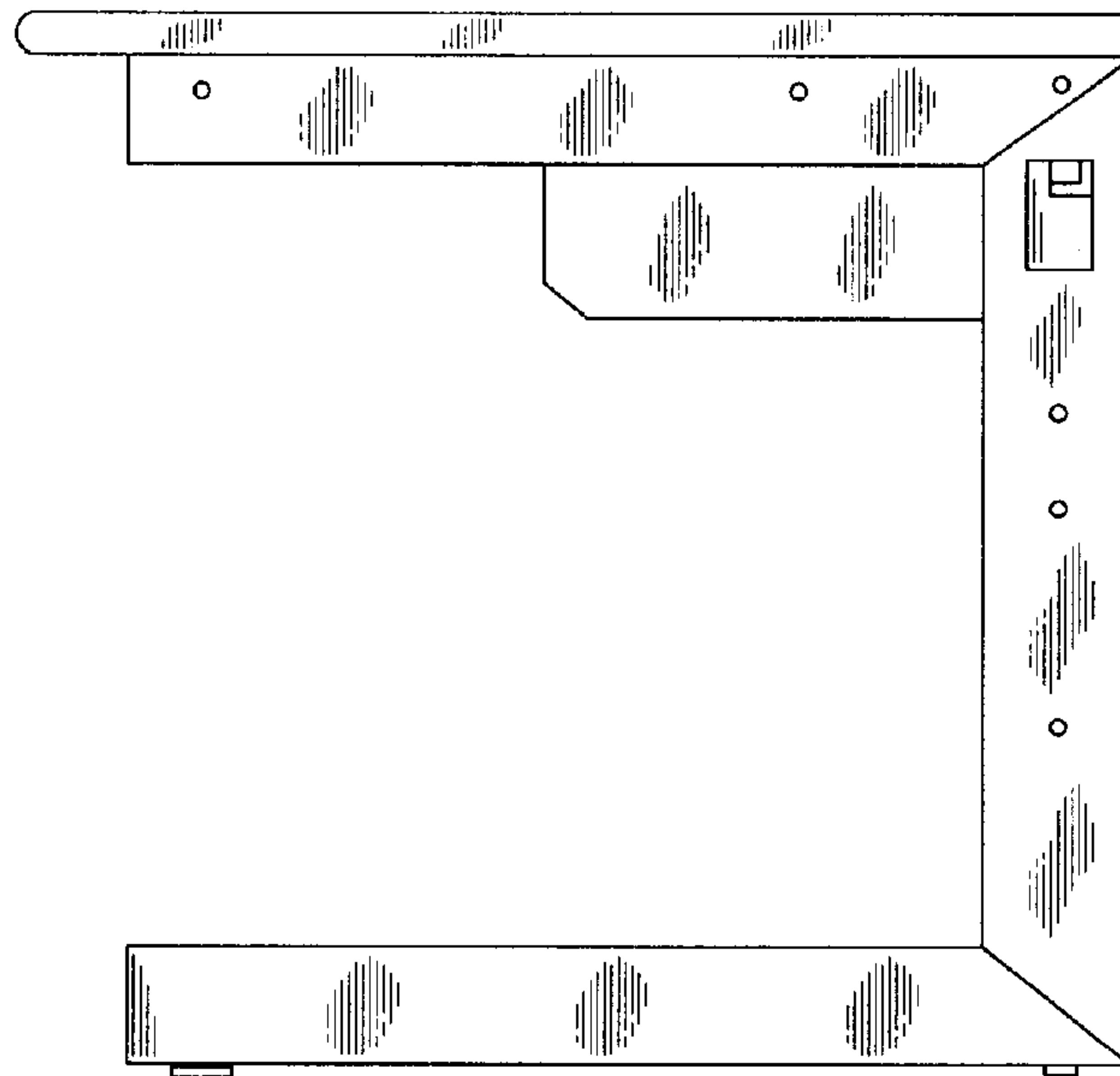


FIG. 5

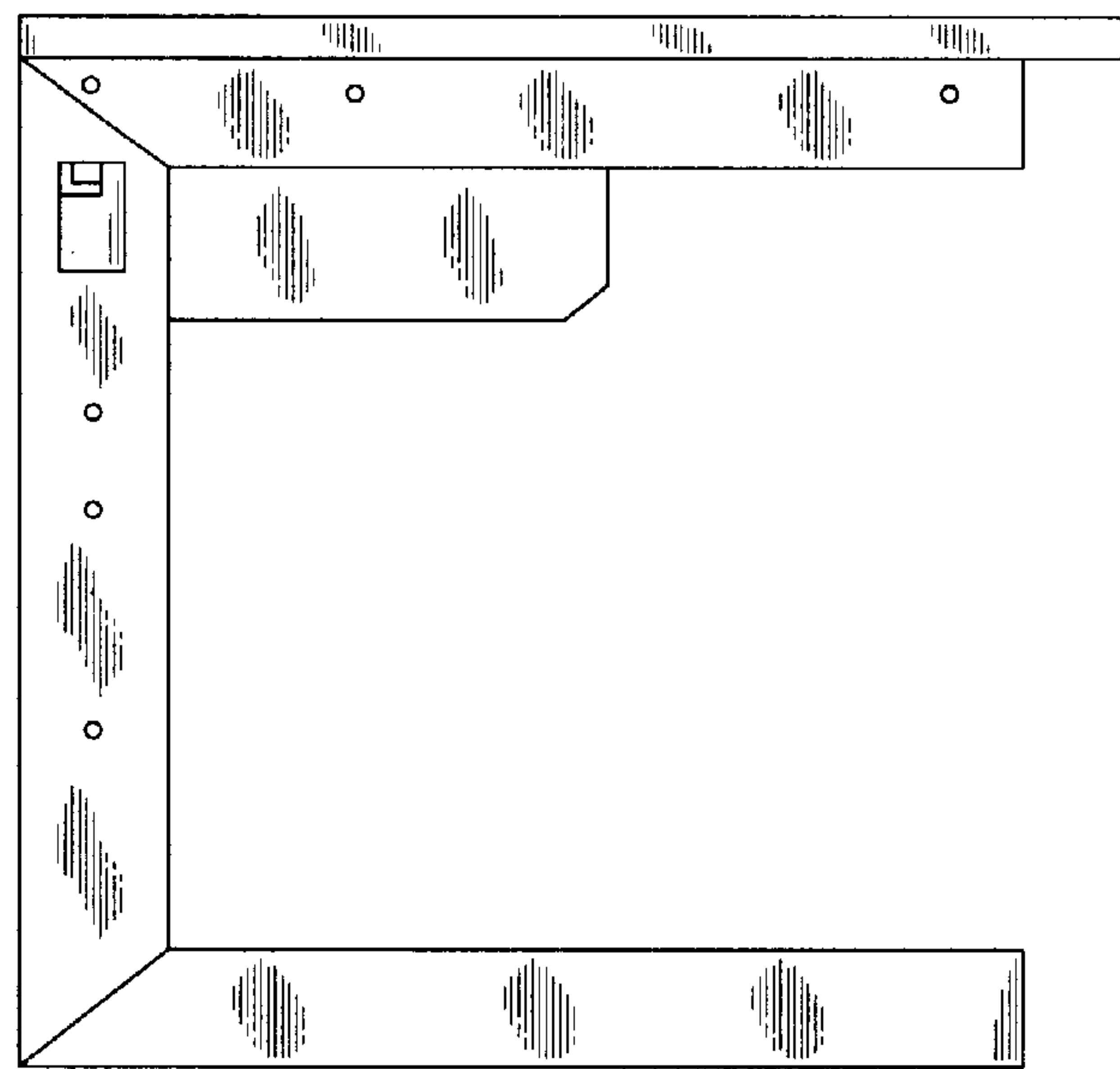


FIG. 6

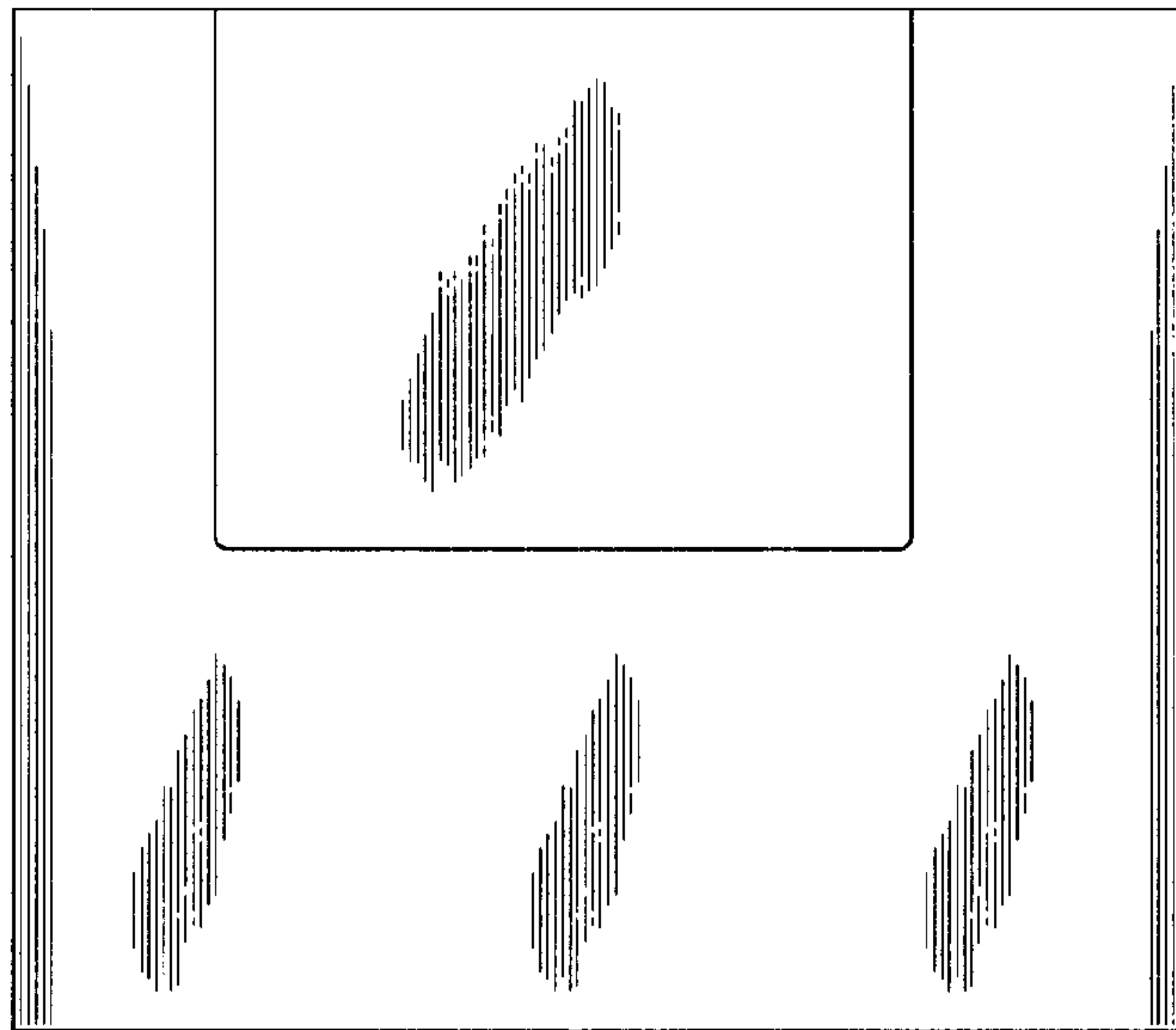


FIG. 7

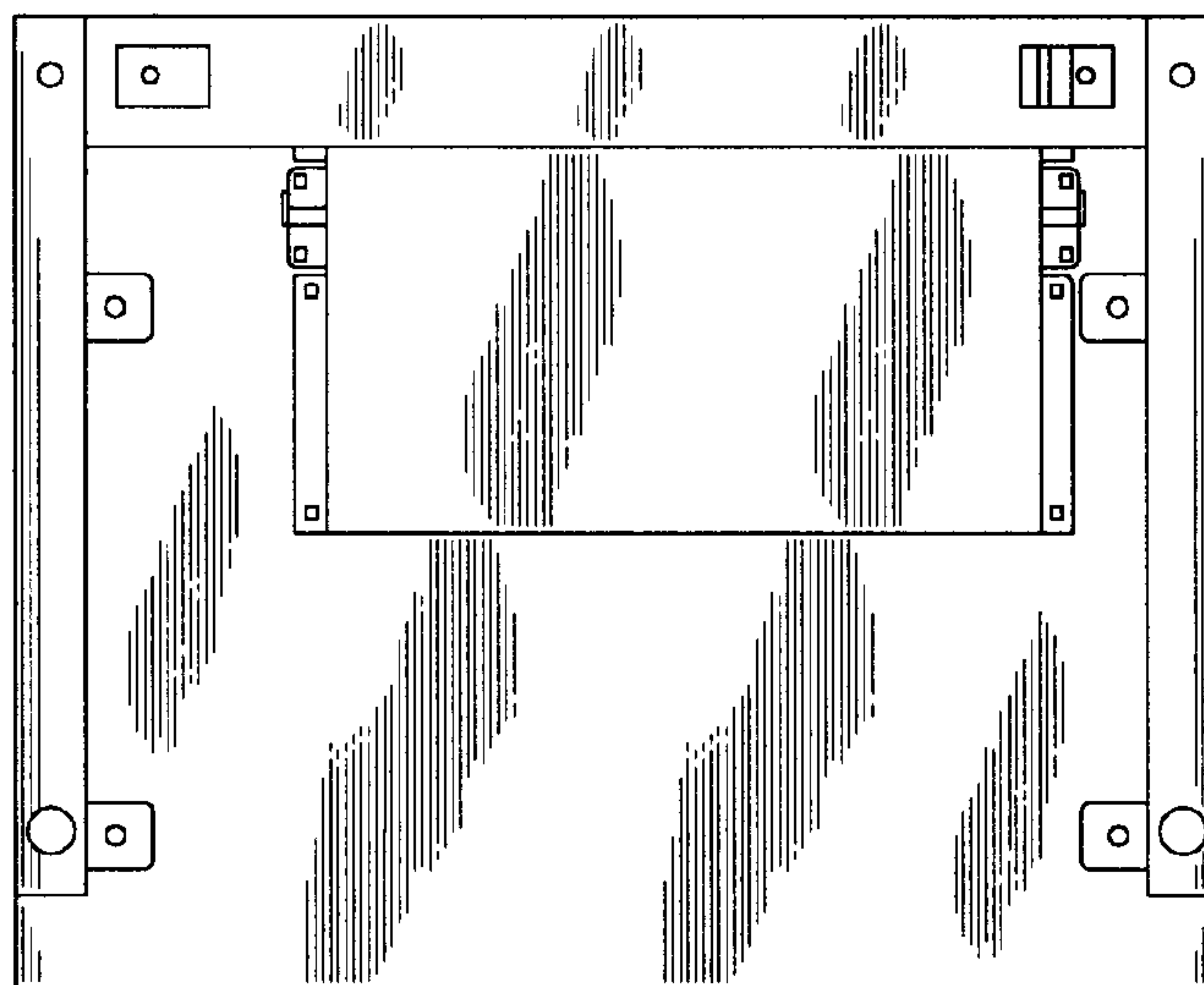


FIG. 8

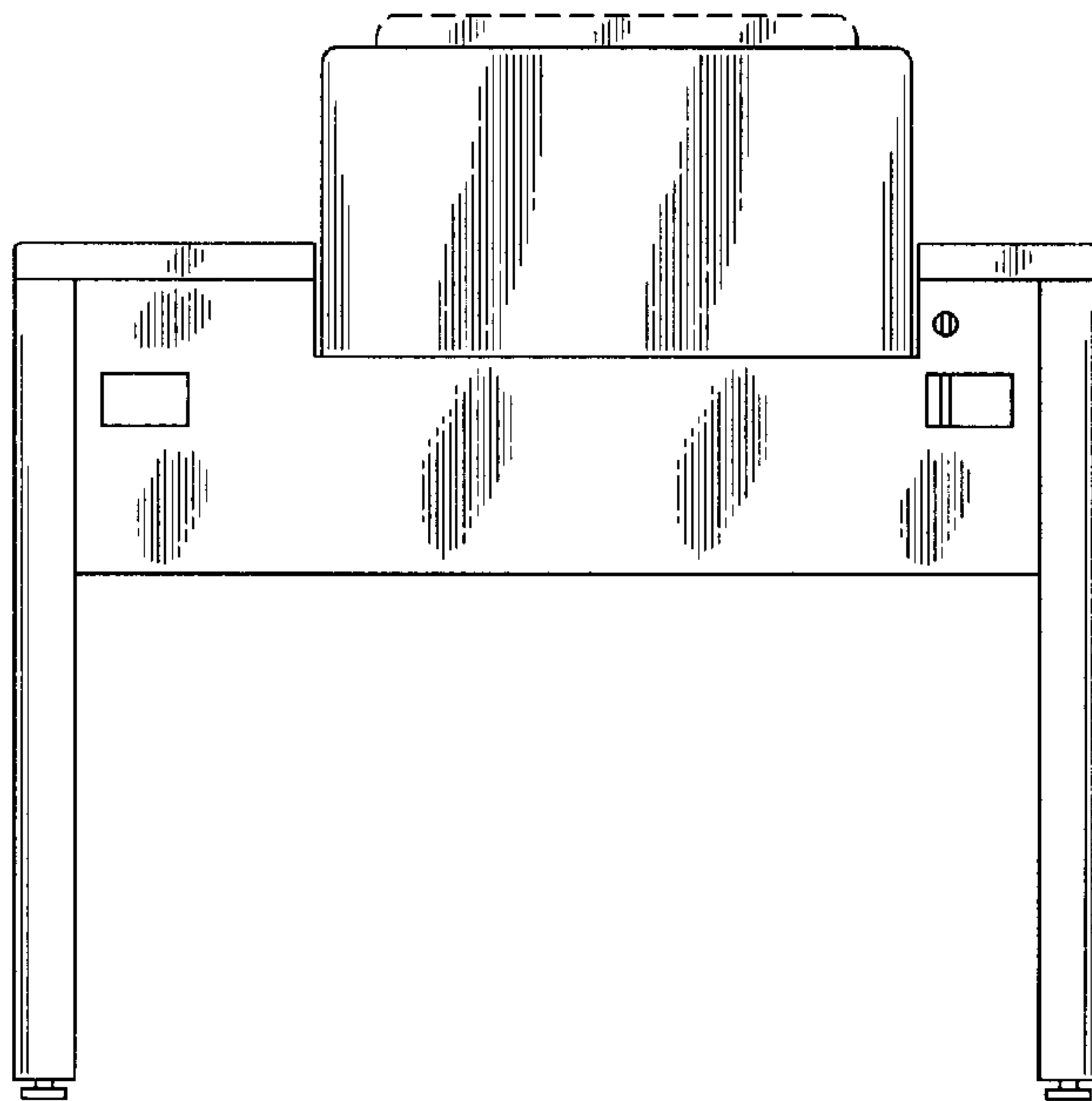


FIG. 9

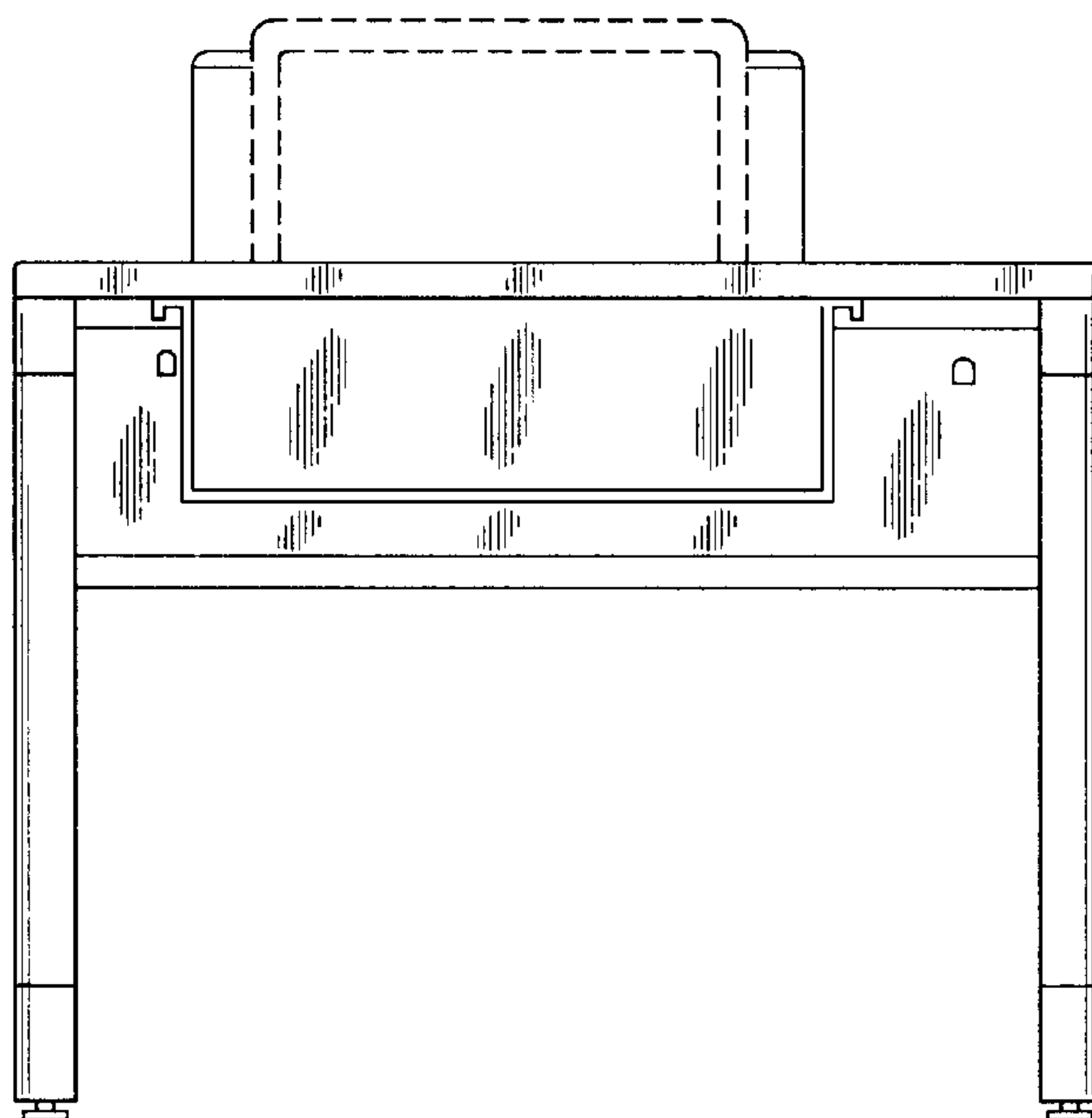


FIG. 10

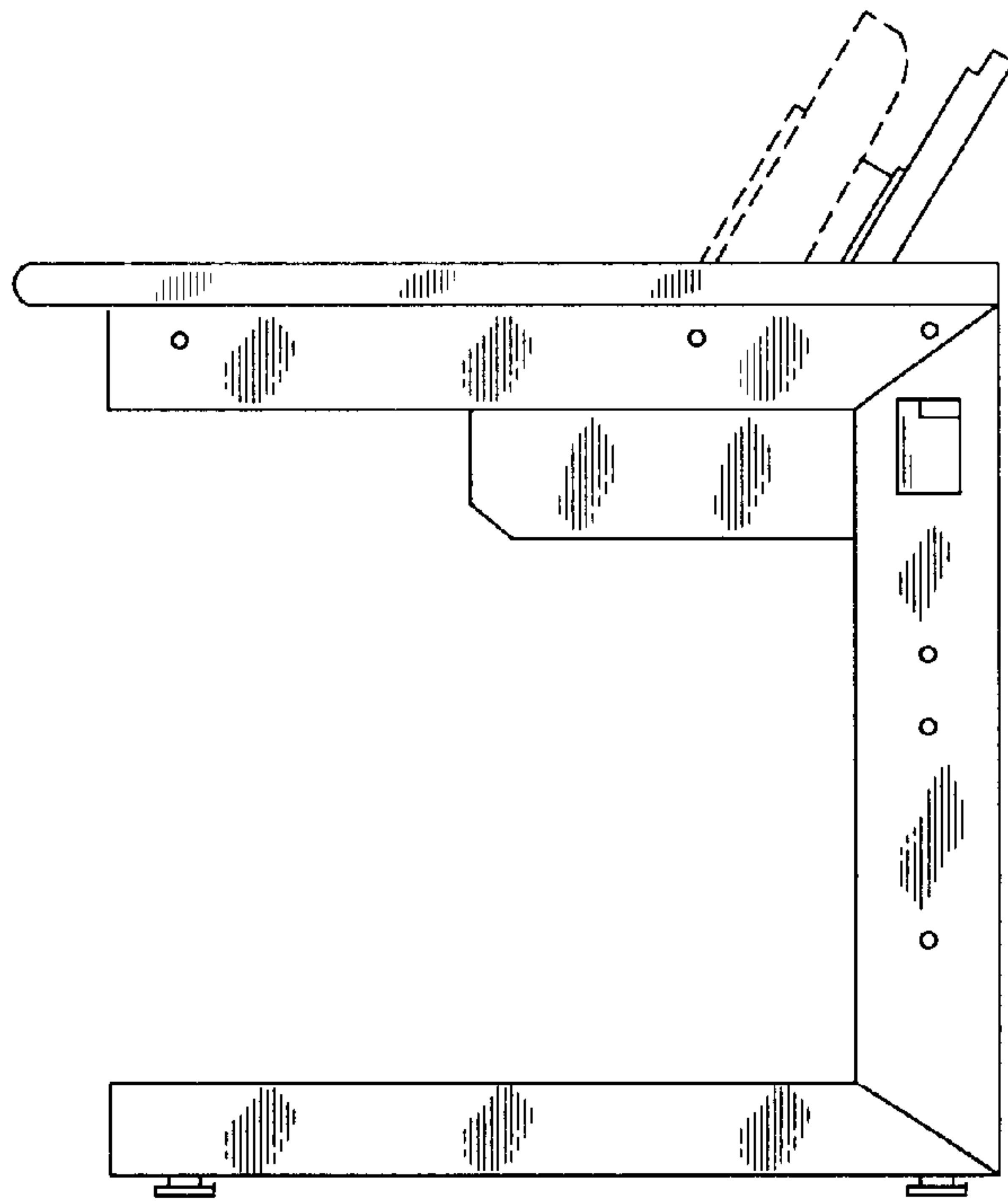


FIG. 11

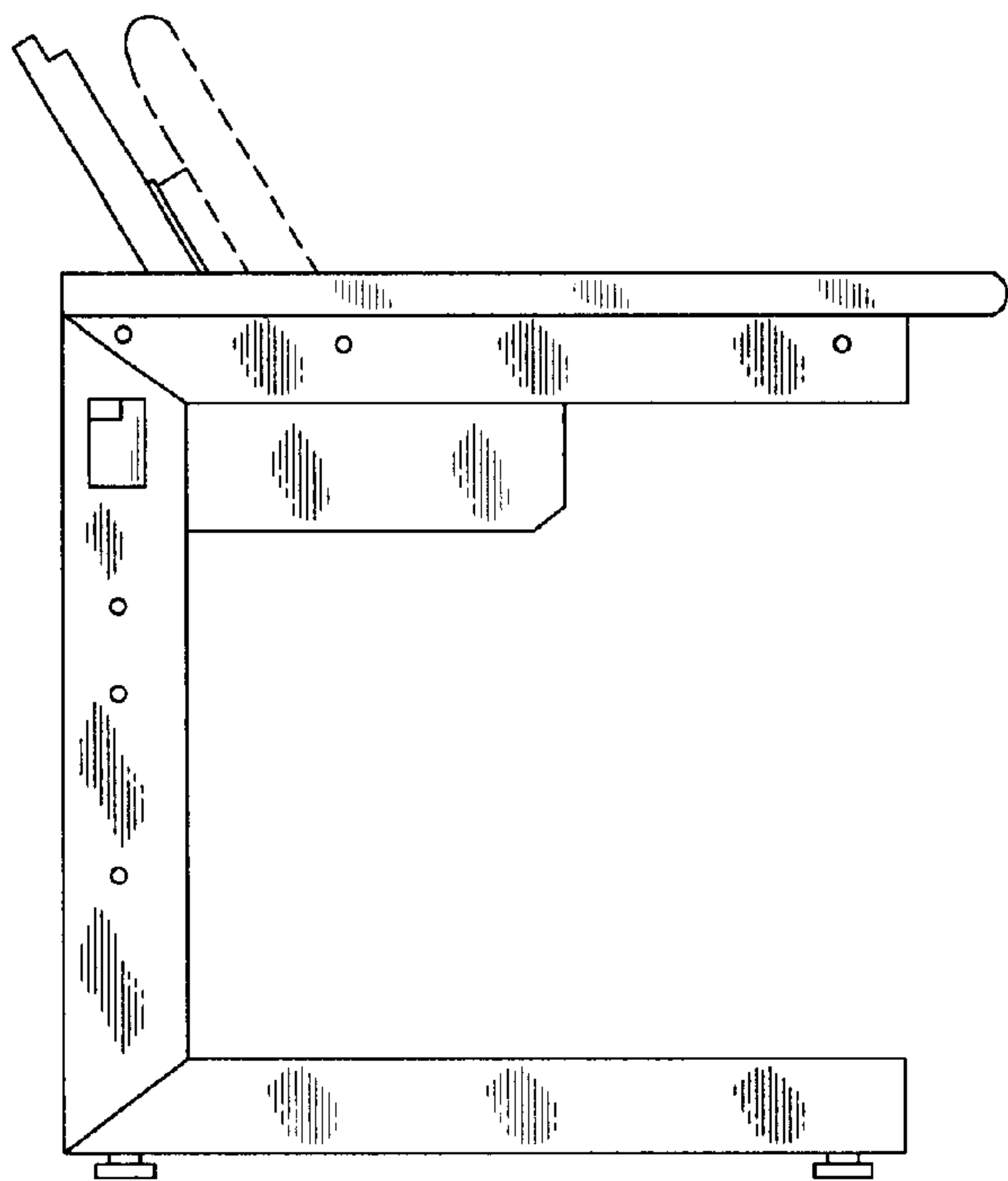


FIG. 12

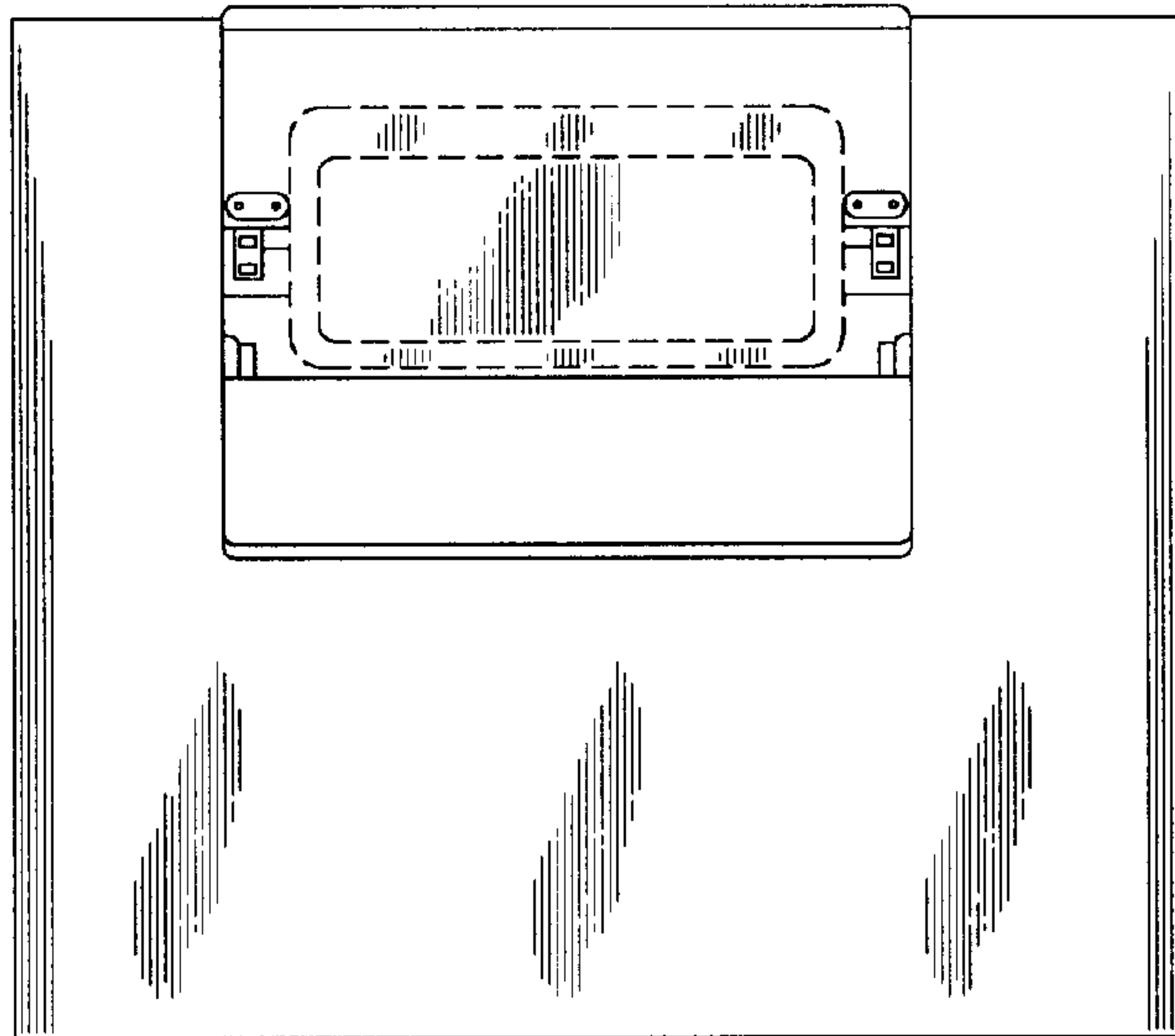


FIG. 13

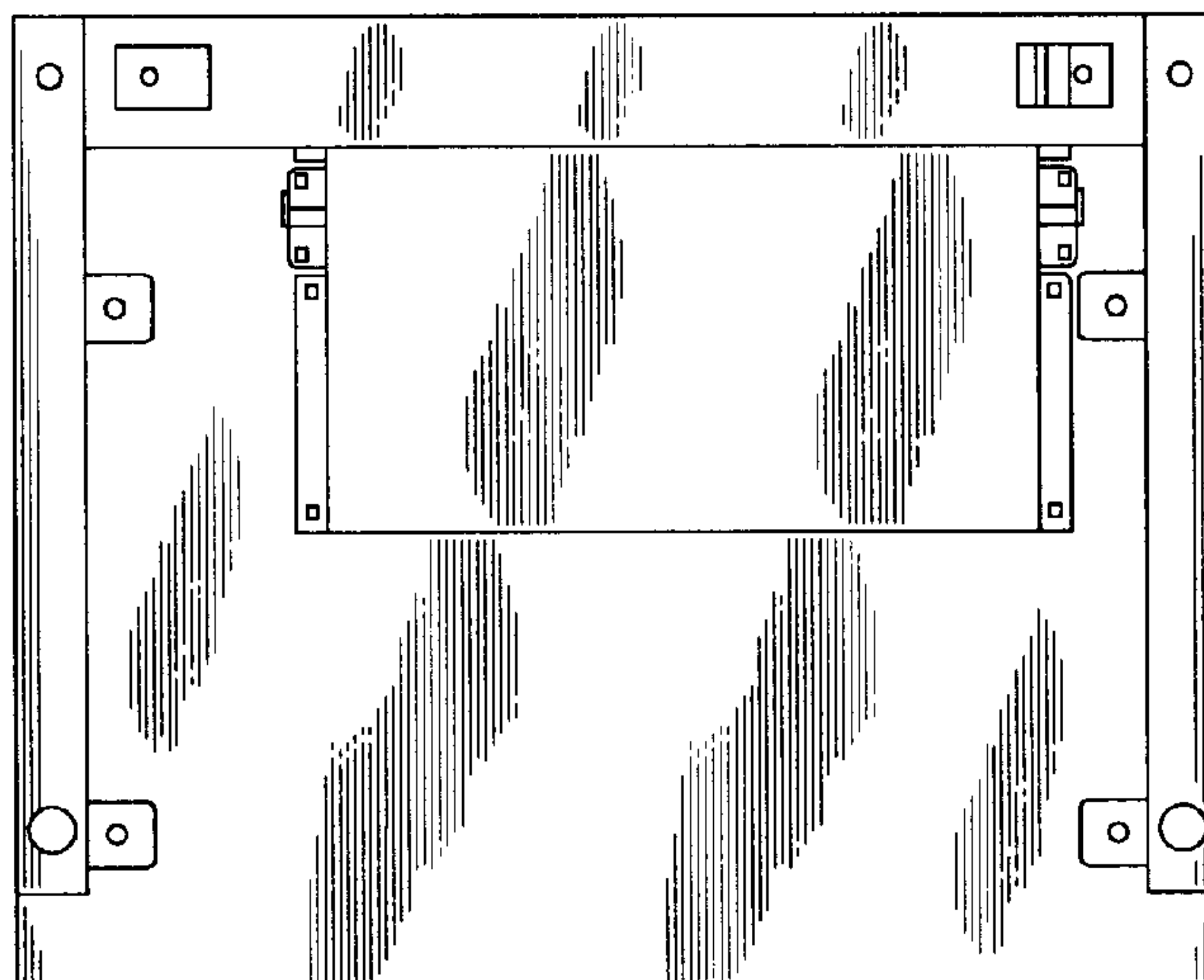


FIG. 14