



US00D510820S

(12) **United States Design Patent**
Asagami et al.

(10) **Patent No.:** **US D510,820 S**

(45) **Date of Patent:** **** Oct. 25, 2005**

(54) **BED FOR BABY**

(75) Inventors: **Hideatsu Asagami**, Tokyo-To (JP);
Minoru Nishizawa, Tokyo-To (JP)

(73) Assignee: **Combi Corporation**, Tokyo-To (JP)

(**) Term: **14 Years**

(21) Appl. No.: **29/202,984**

(22) Filed: **Apr. 8, 2004**

(30) **Foreign Application Priority Data**

Oct. 9, 2003 (JP) 2003-29740

(51) **LOC (8) Cl.** **06-01**

(52) **U.S. Cl.** **D6/392; D6/391**

(58) **Field of Search** D6/382, 383, 390-395,
D6/333, 555; 5/2.1, 947, 101, 105, 655

(56) **References Cited**

U.S. PATENT DOCUMENTS

D202,691 S	*	11/1965	Essman	D6/601
D206,747 S	*	1/1967	Essman	D6/601
D329,950 S	*	10/1992	Takahashi et al.	D6/392
D332,197 S	*	1/1993	Chase	D6/555
6,151,737 A	*	11/2000	Henninge	5/655
6,269,503 B1	*	8/2001	Betker	5/655

* cited by examiner

Primary Examiner—Janice E. Seeger

(74) *Attorney, Agent, or Firm*—Birch, Stewart Kolasch & Birch, LLP

(57) **CLAIM**

The ornamental design for a bed for baby, as shown and described.

DESCRIPTION

FIG. 1 is a front perspective view of a bed for baby showing our new design;
 FIG. 2 is a front elevational view thereof;
 FIG. 3 is a rear elevational view thereof;
 FIG. 4 is a left side view thereof;
 FIG. 5 is a right side elevational view thereof;
 FIG. 6 is a top plan view thereof;
 FIG. 7 is a bottom plan view thereof;
 FIG. 8 is a front perspective view showing the bed body opened;
 FIG. 9 is a front elevational view thereof showing the bed body opened;
 FIG. 10 is a rear elevational view thereof showing the bed body opened;
 FIG. 11 is a right side view thereof showing the bed body opened;
 FIG. 12 is a left side elevational view thereof showing the bed body opened;
 FIG. 13 is a top plan view thereof showing the bed body opened; and,
 FIG. 14 is a bottom plan view thereof showing the bed body opened.

1 Claim, 3 Drawing Sheets

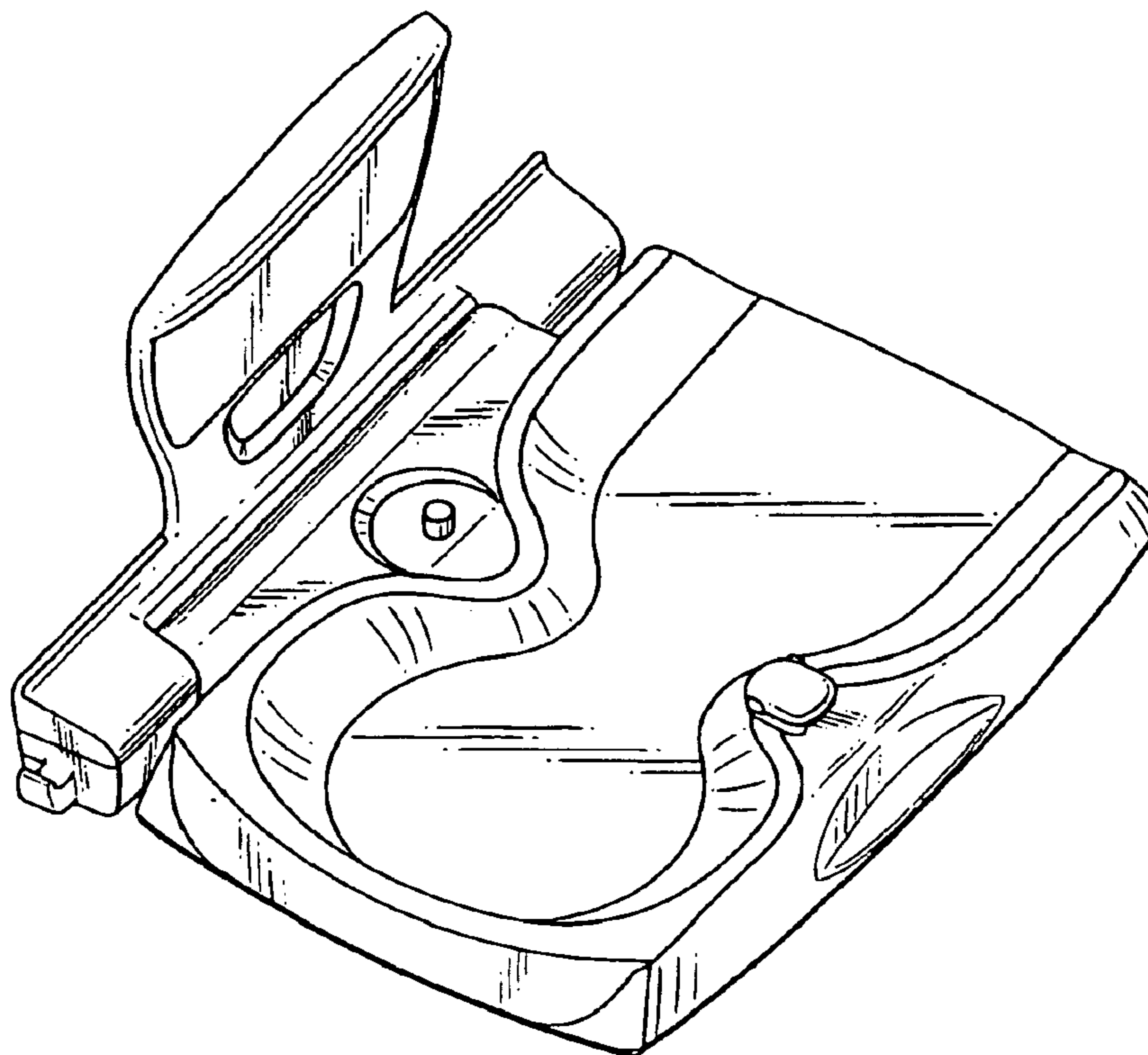


FIG. 1

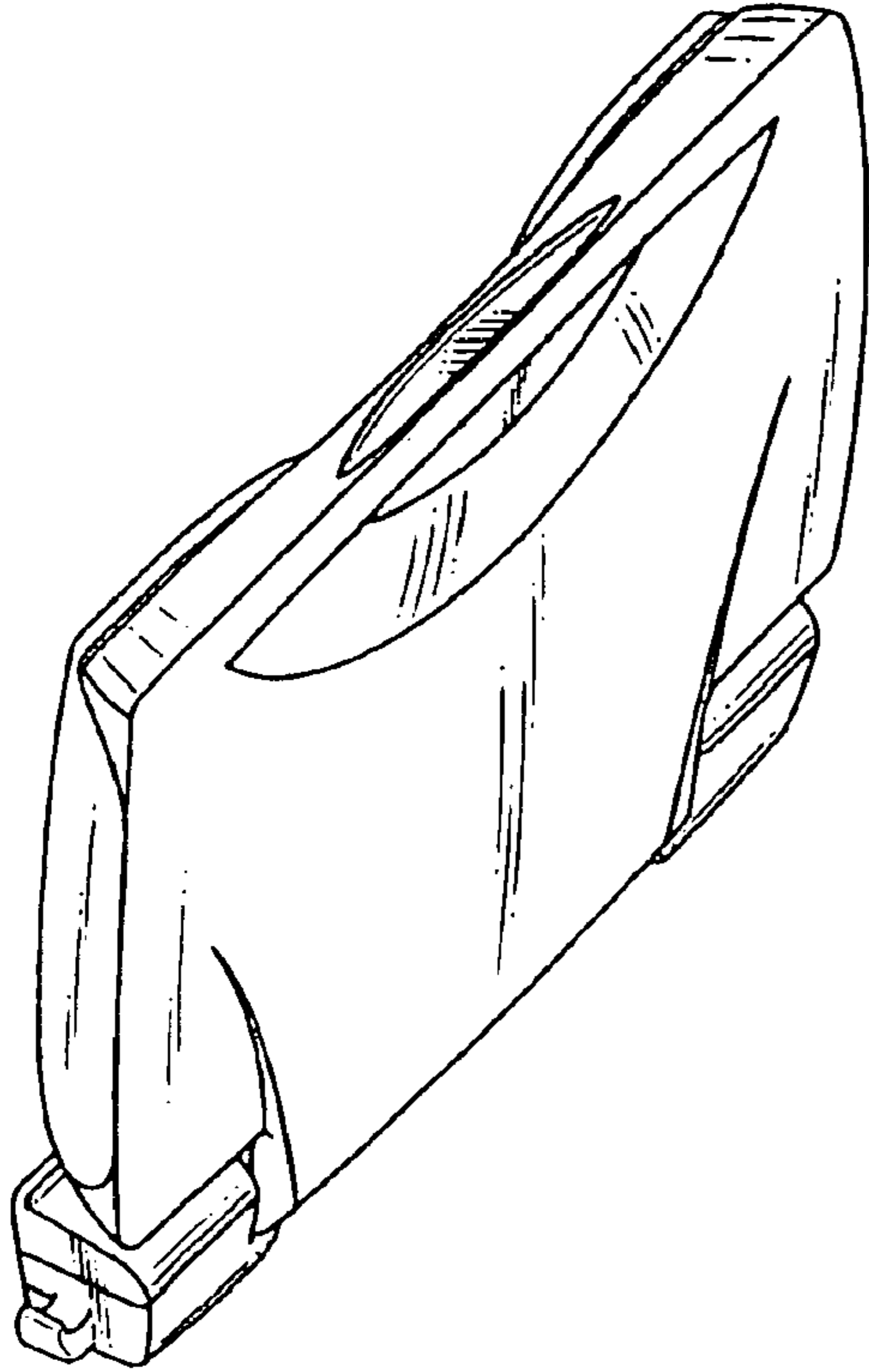


FIG. 2

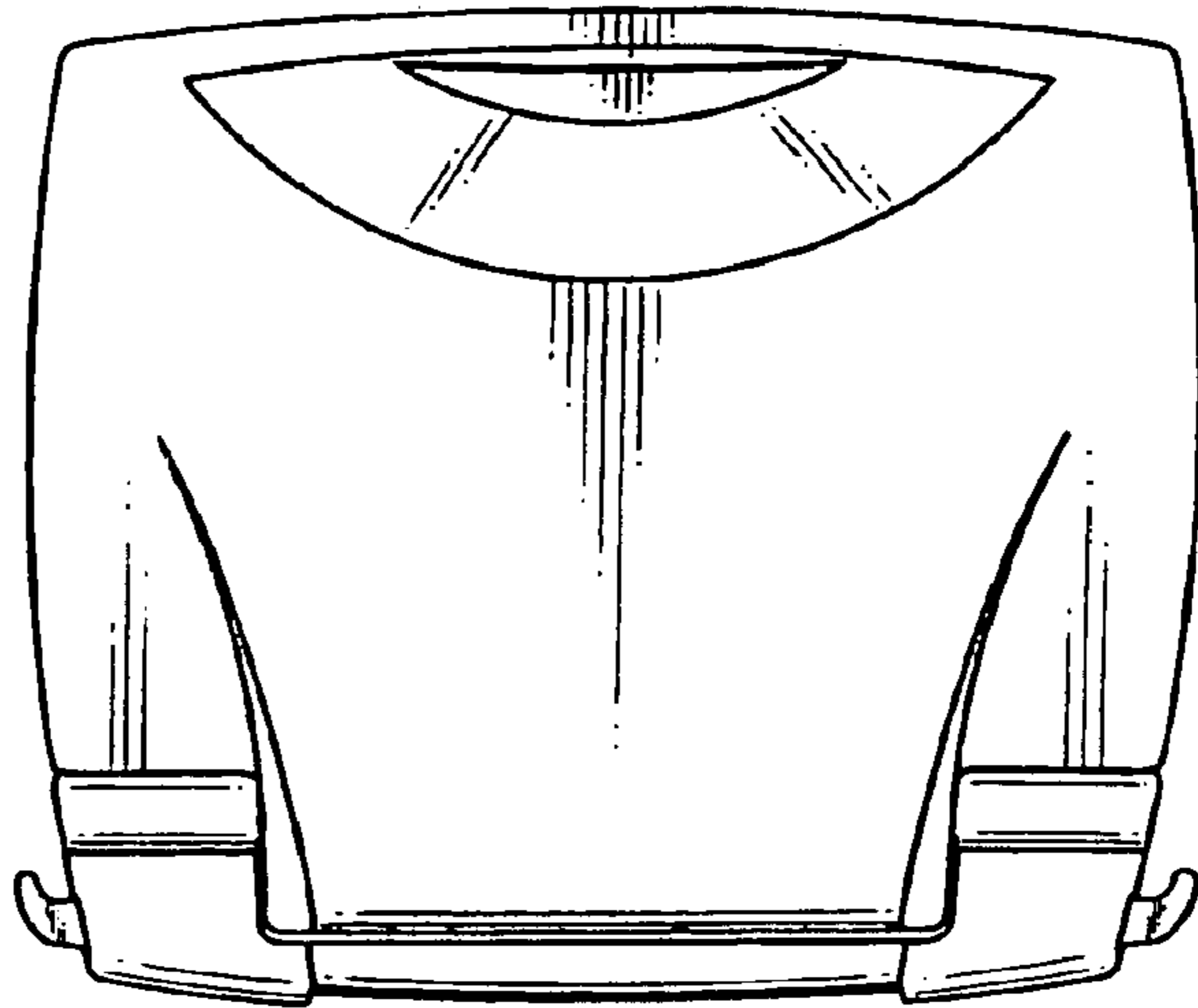


FIG. 3

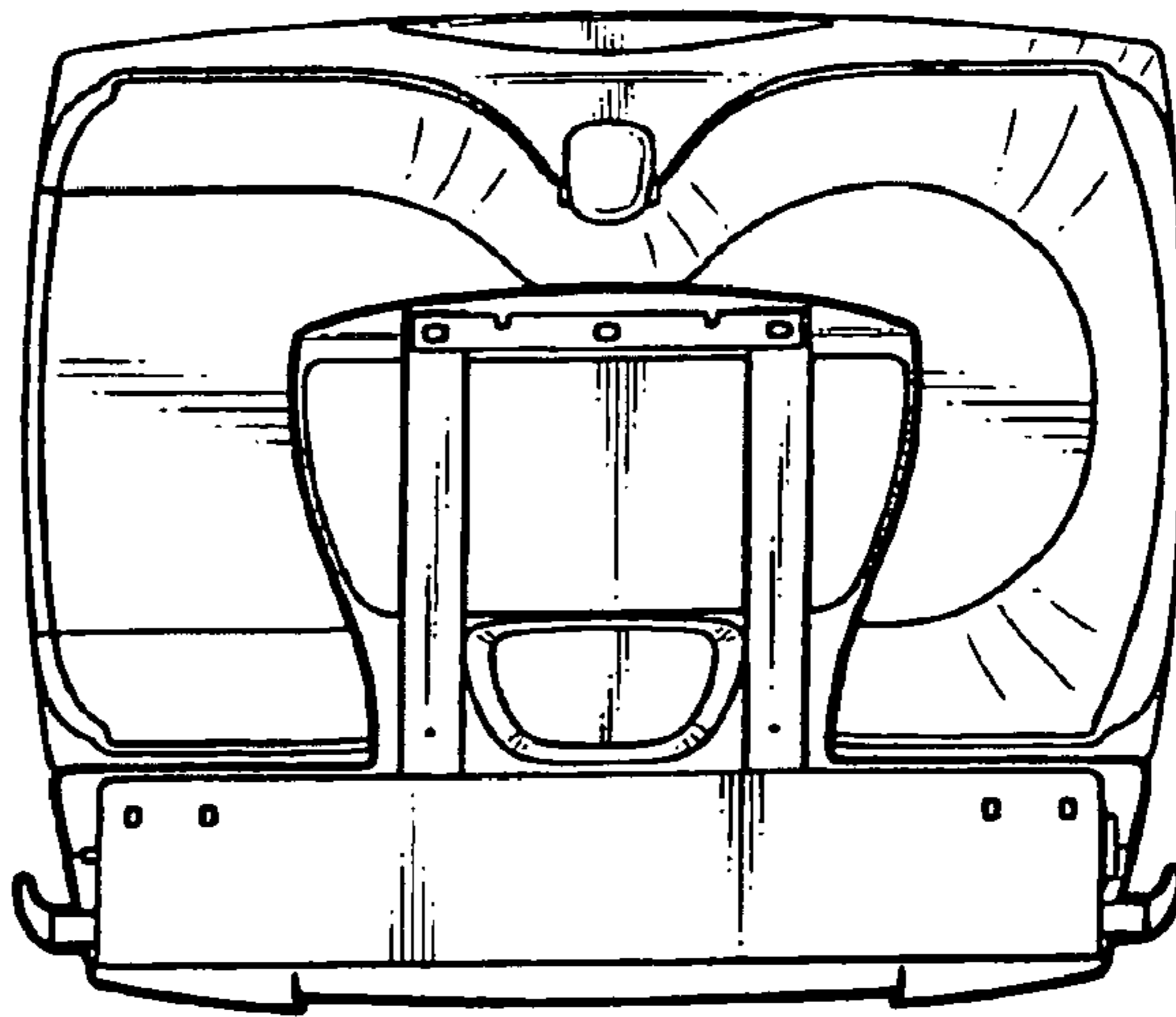


FIG. 4



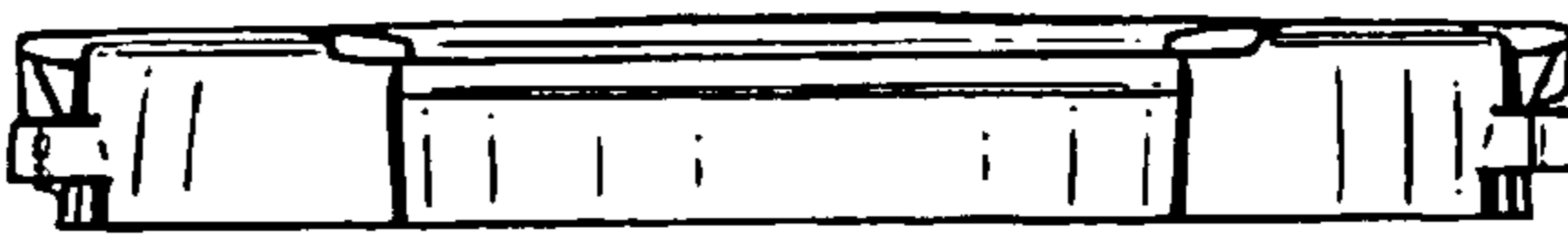
FIG. 5



FIG. 6



FIG. 7



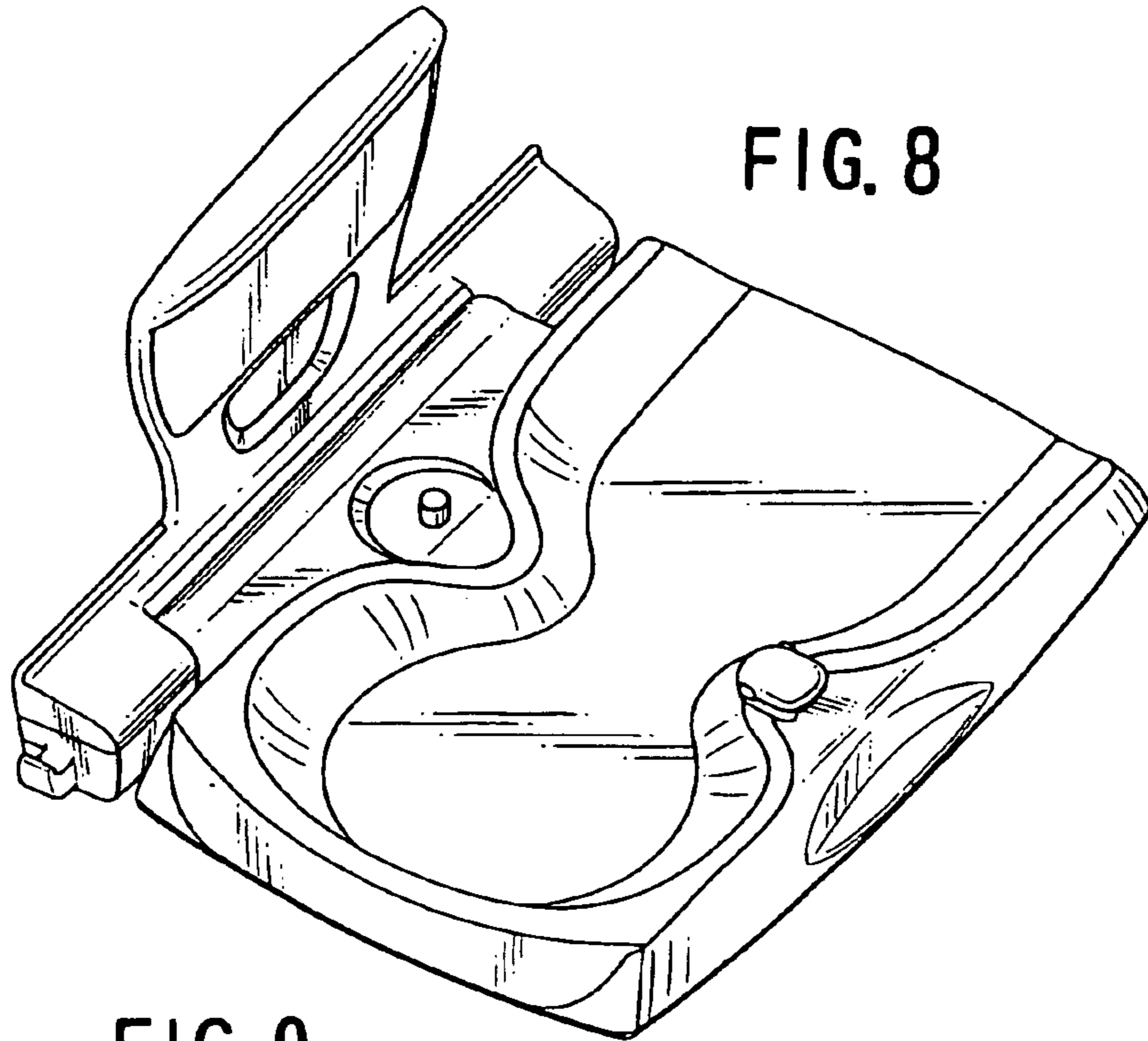


FIG. 8

FIG. 9

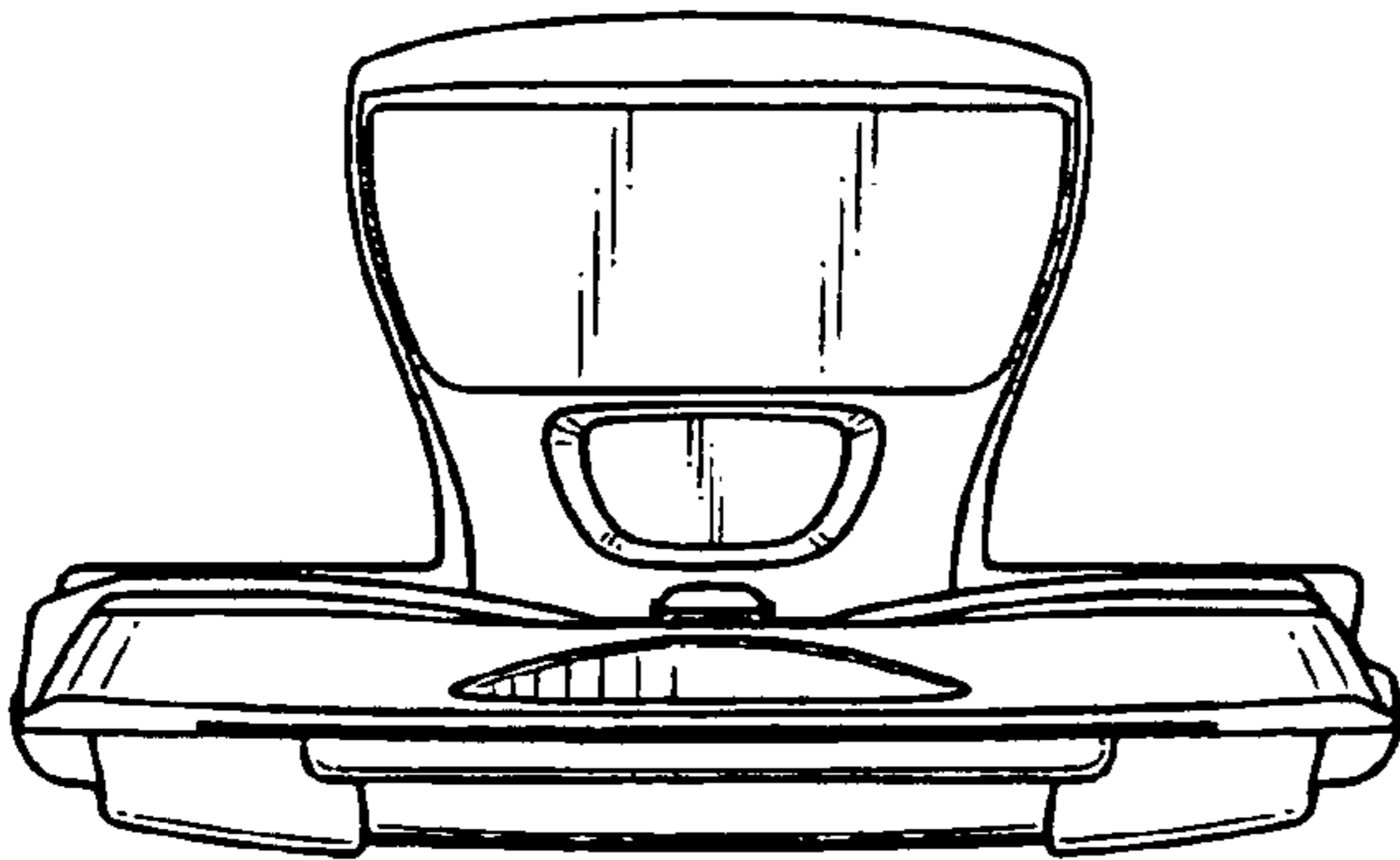


FIG. 10

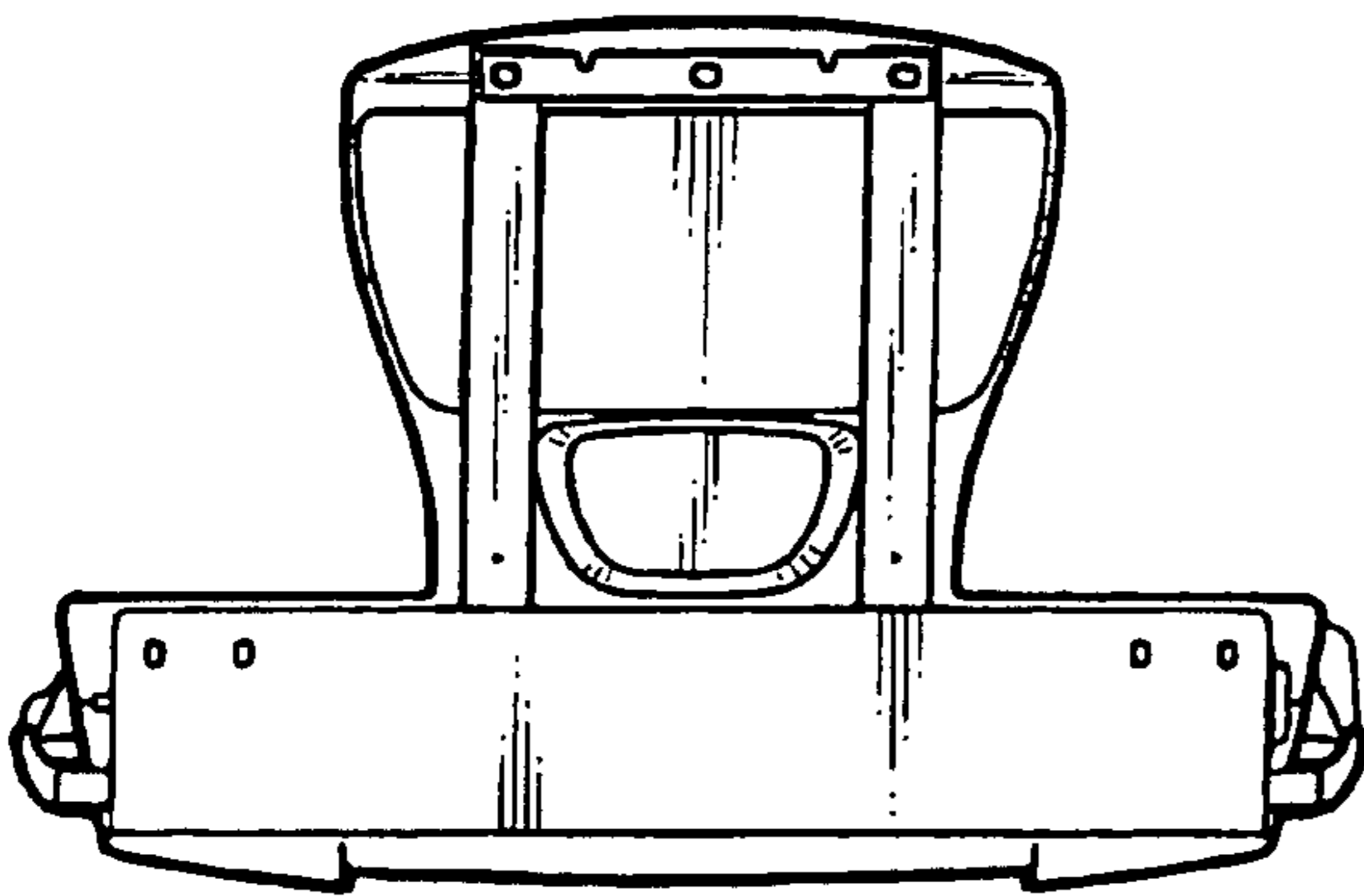


FIG. 11

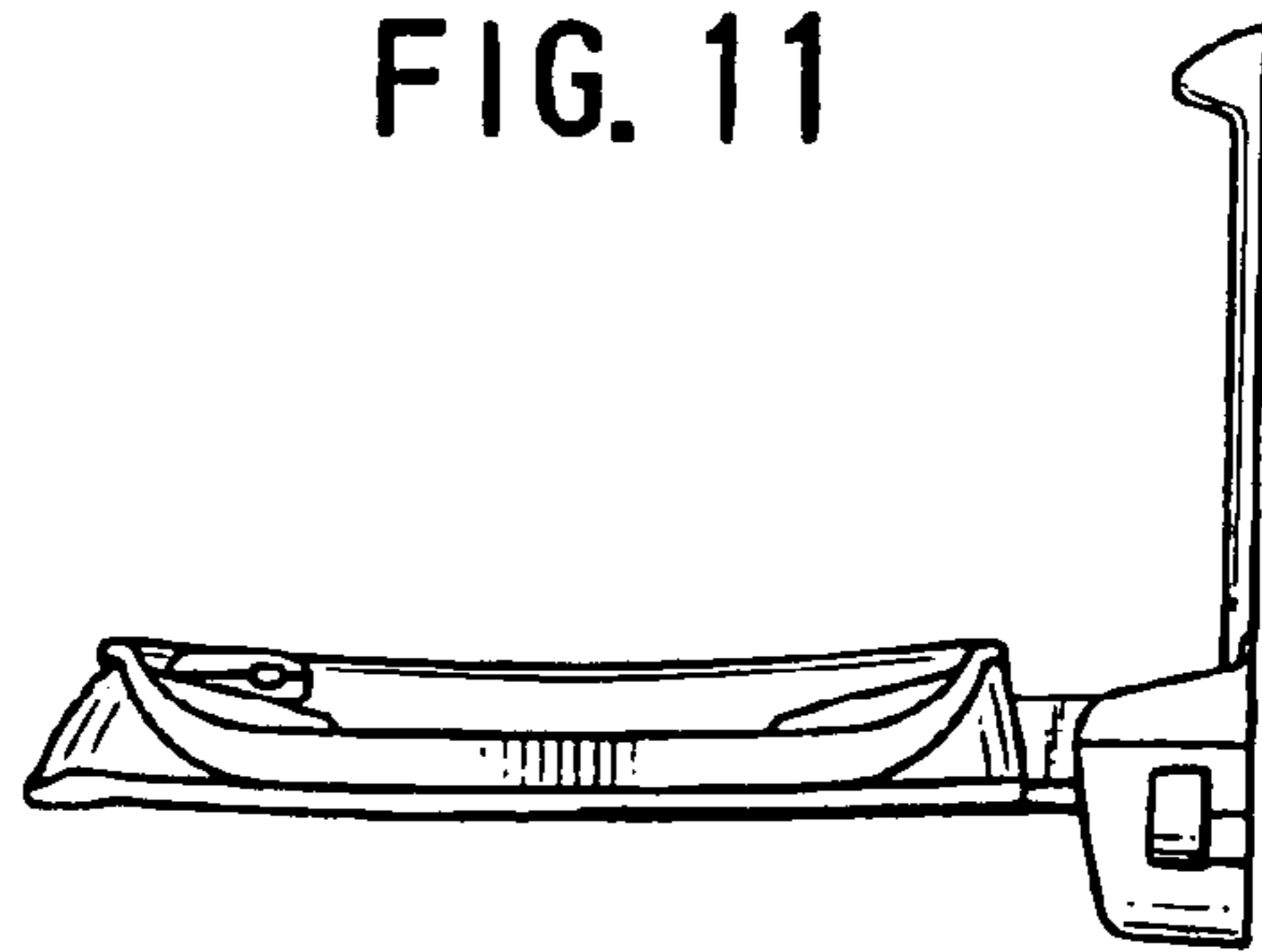


FIG. 12

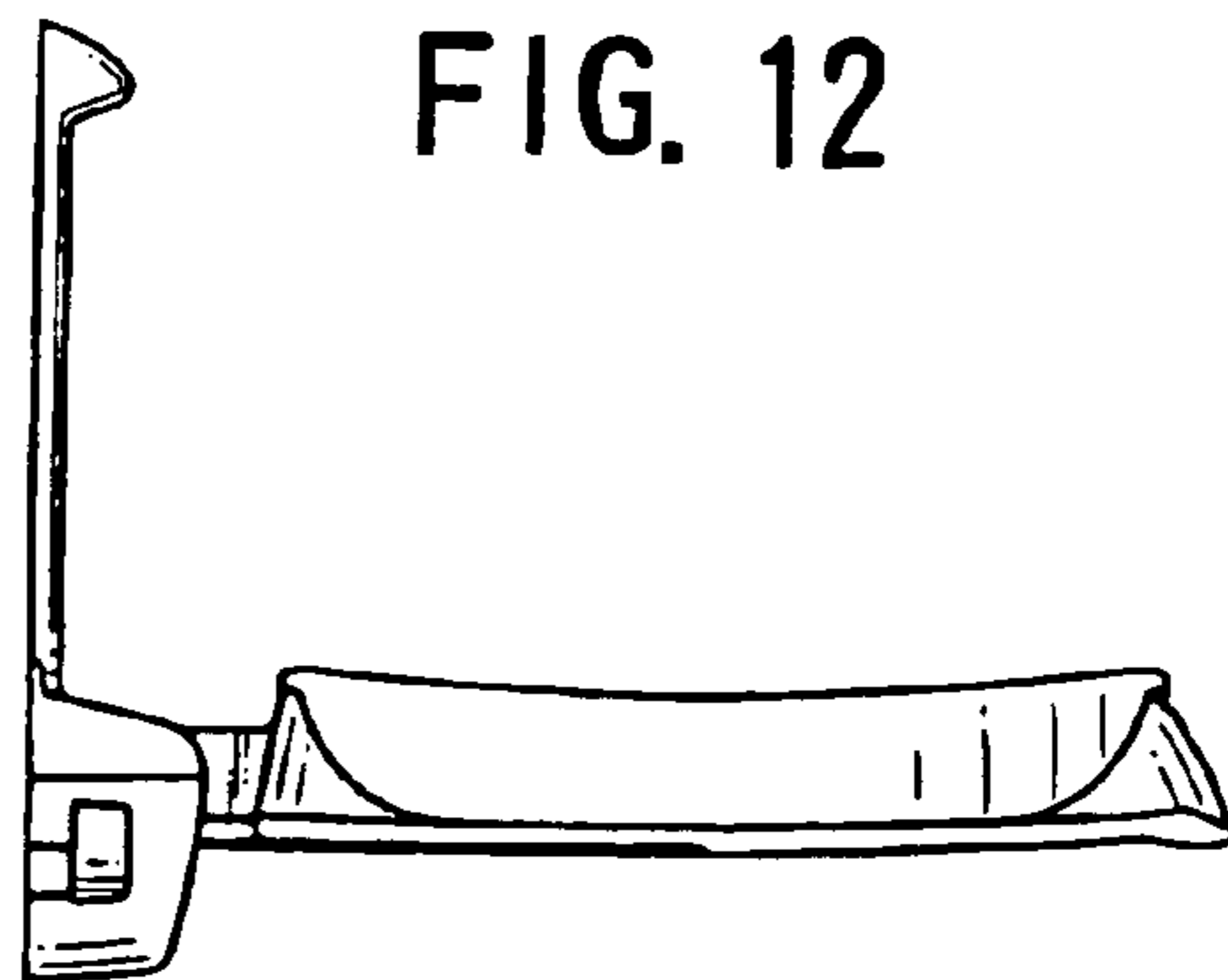


FIG. 13

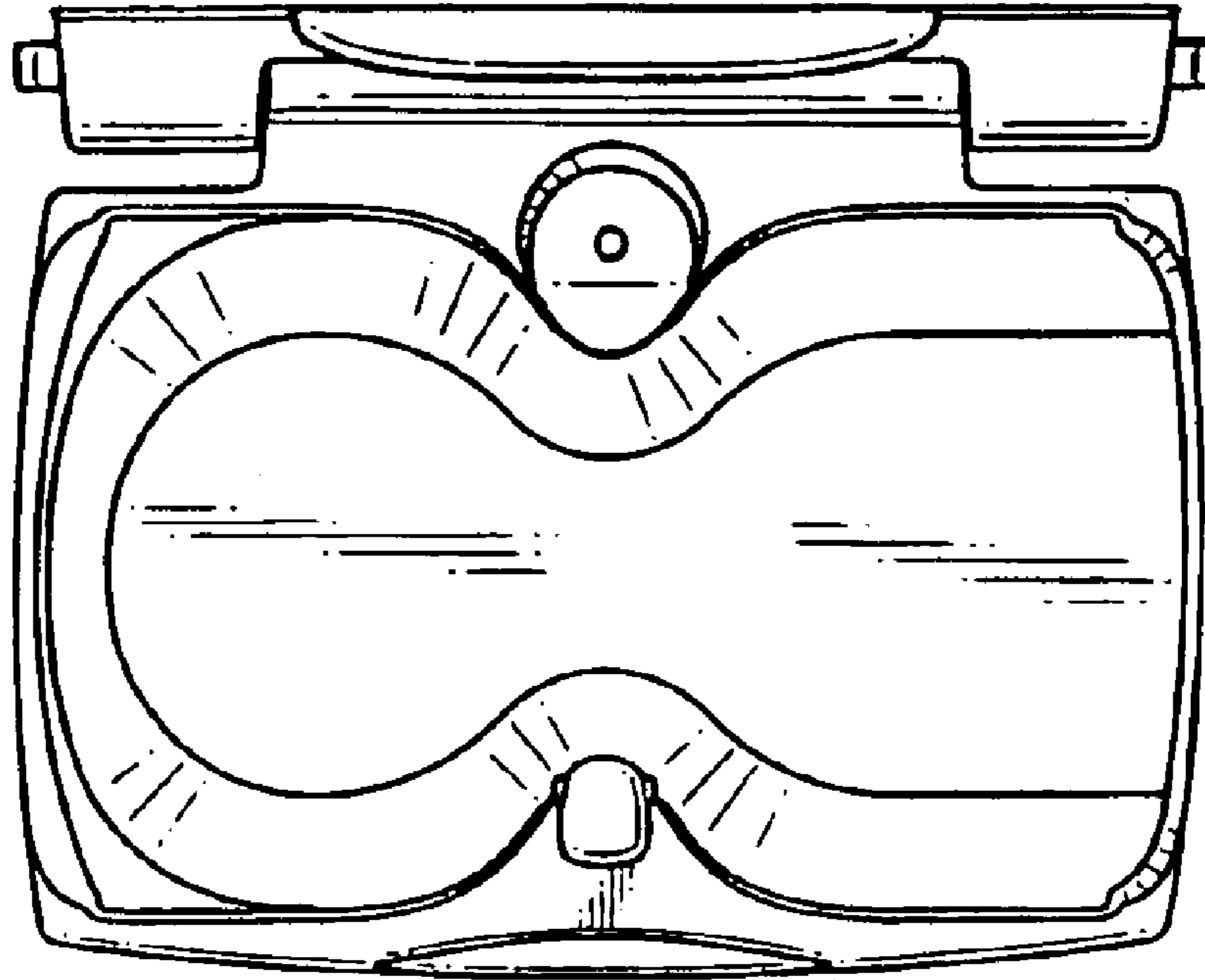


FIG. 14

