



US00D510818S

(12) **United States Design Patent**
Nastri

(10) **Patent No.:** **US D510,818 S**

(45) **Date of Patent:** **** Oct. 25, 2005**

(54) **SOFA**

(76) **Inventor:** **Giovanni Nastri**, Via Nazionale dei
Giovi 159, 20030 Lentate Sul Seveso
Milano (IT)

(**) **Term:** **14 Years**

(21) **Appl. No.:** **29/194,389**

(22) **Filed:** **Nov. 24, 2003**

(51) **LOC (8) Cl.** **06-01**

(52) **U.S. Cl.** **D6/381**

(58) **Field of Search** D6/334, 335, 336,
D6/364, 371, 381, 500-502; 5/12.1; 297/232,
445.1

(56) **References Cited**

U.S. PATENT DOCUMENTS

D367,187 S	*	2/1996	Natuzzi et al.	D6/381
D373,485 S	*	9/1996	Natuzzi et al.	D6/381
D379,272 S	*	5/1997	Natuzzi et al.	D6/381
D385,121 S	*	10/1997	Natuzzi et al.	D6/381
D388,631 S	*	1/1998	Natuzzi et al.	D6/381

D410,344 S	*	6/1999	Lewis et al.	D6/381
D418,992 S	*	1/2000	Natuzzi et al.	D6/381
D428,556 S	*	7/2000	Natuzzi et al.	D6/381
D476,499 S	*	7/2003	Ricci	D6/381
D477,928 S	*	8/2003	Natuzzi et al.	D6/381

* cited by examiner

Primary Examiner—Caron D. Veynar

Assistant Examiner—Vy Nguyen

(74) *Attorney, Agent, or Firm*—Hedman & Costigan, P.C.

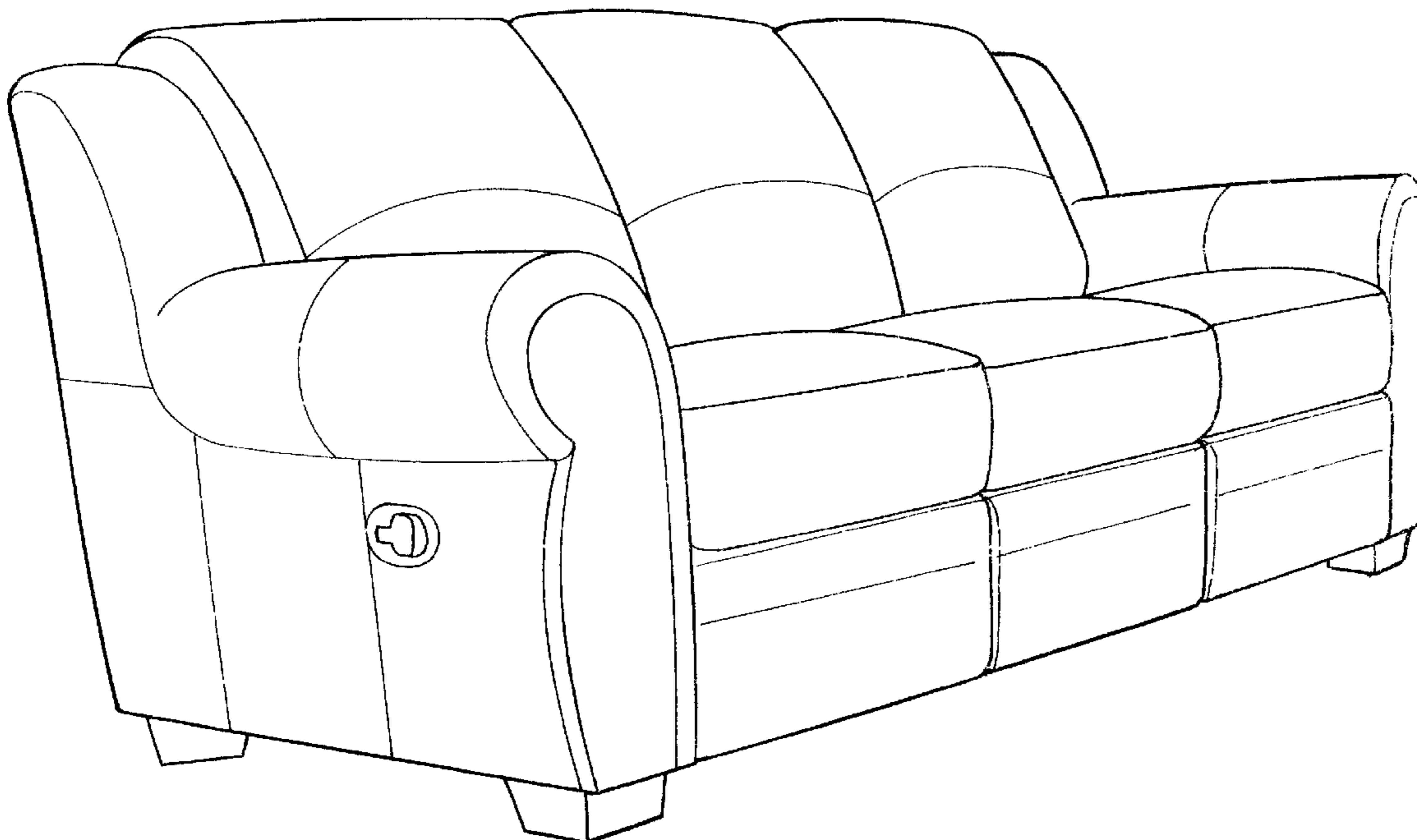
(57) **CLAIM**

The ornamental design for a sofa, as shown and described.

DESCRIPTION

FIG. 1 is a front perspective view of an embodiment of a sofa according to the invention;
FIG. 2 is a front view of a sofa according to the invention;
FIG. 3 is a back view of the sofa;
FIG. 4 is a right side view of the sofa;
FIG. 5 is a left side view of the sofa;
FIG. 6 is a top view of the sofa; and,
FIG. 7 is a bottom view of the sofa.

1 Claim, 6 Drawing Sheets



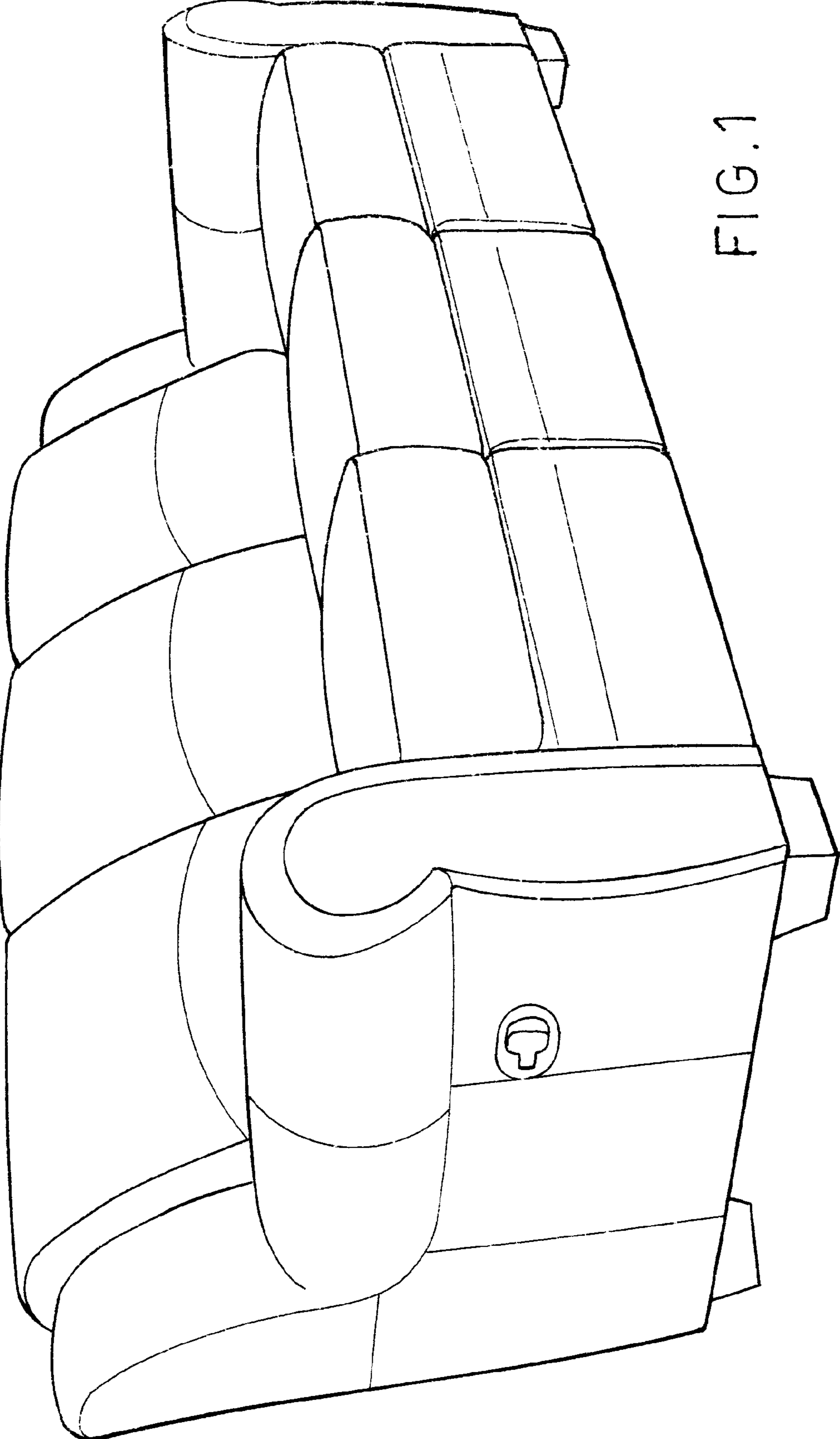


FIG. 1

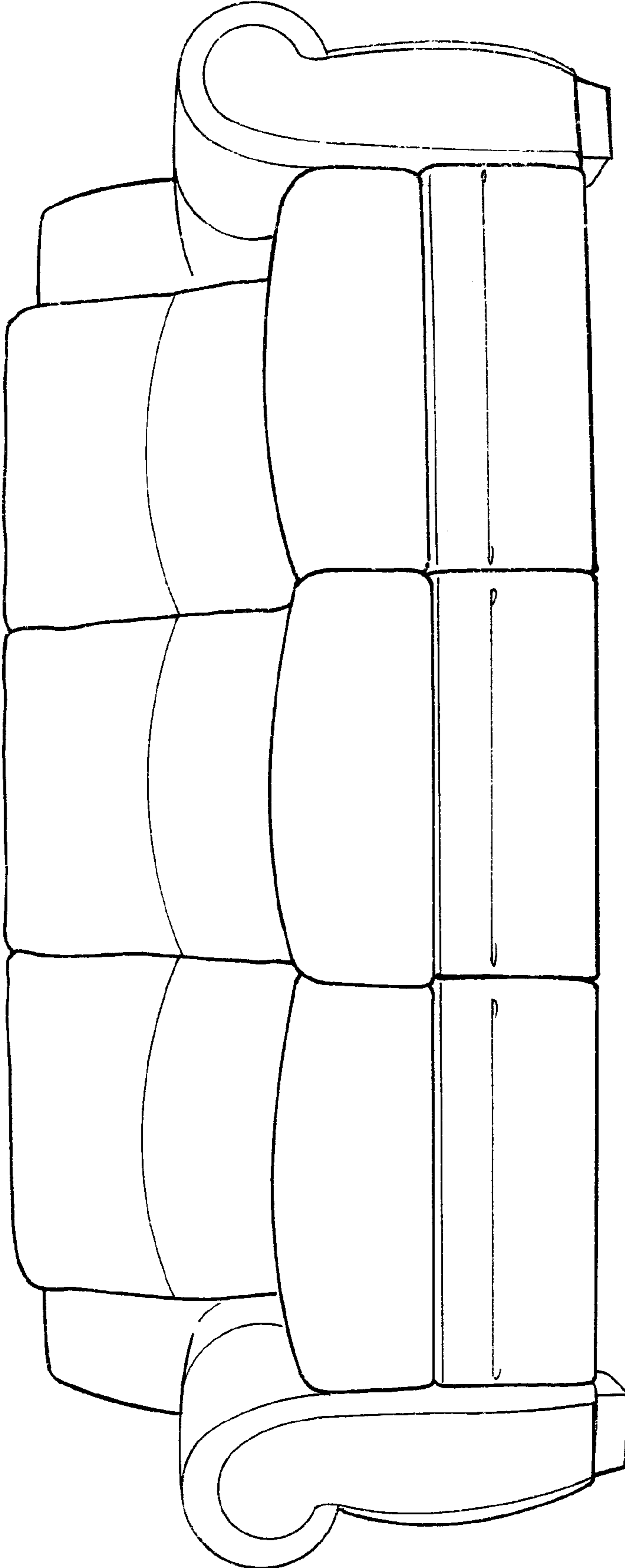
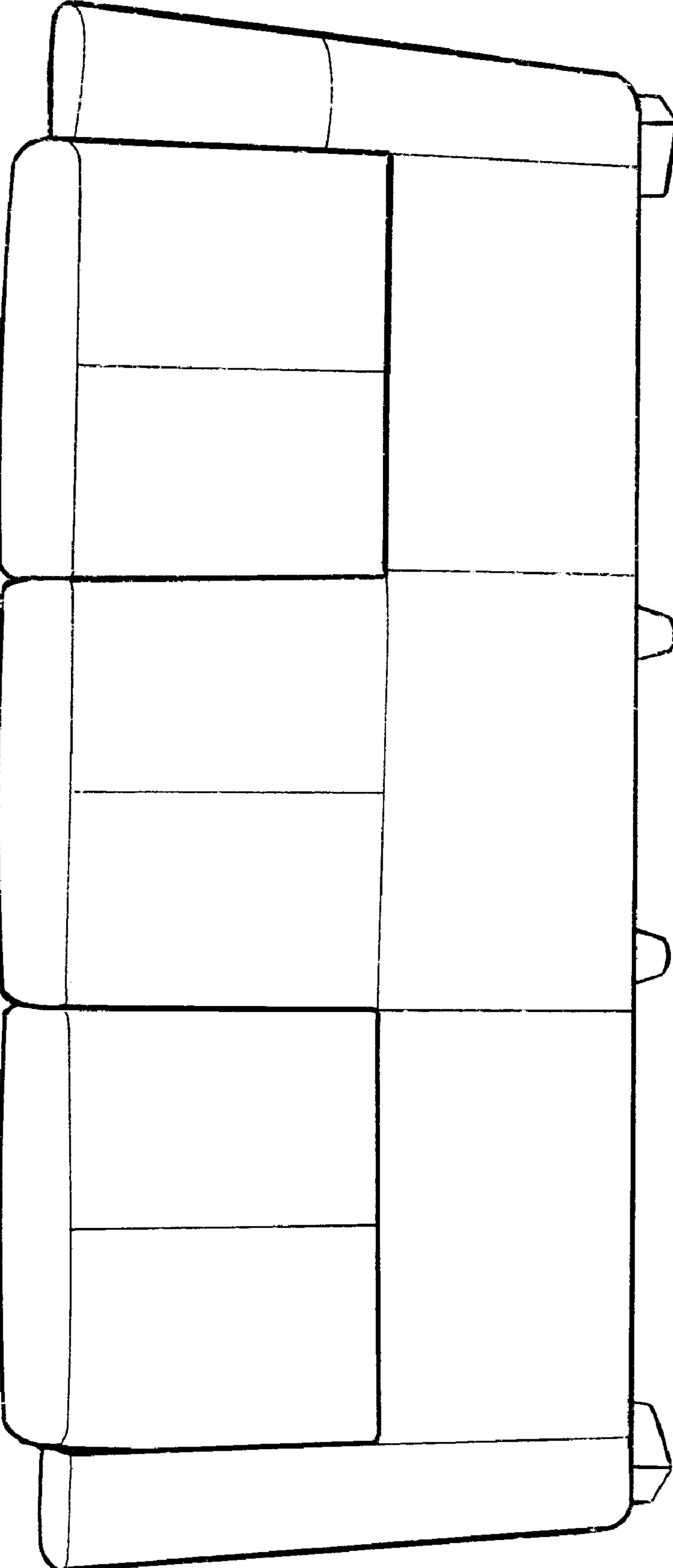


FIG. 2

FIG. 3



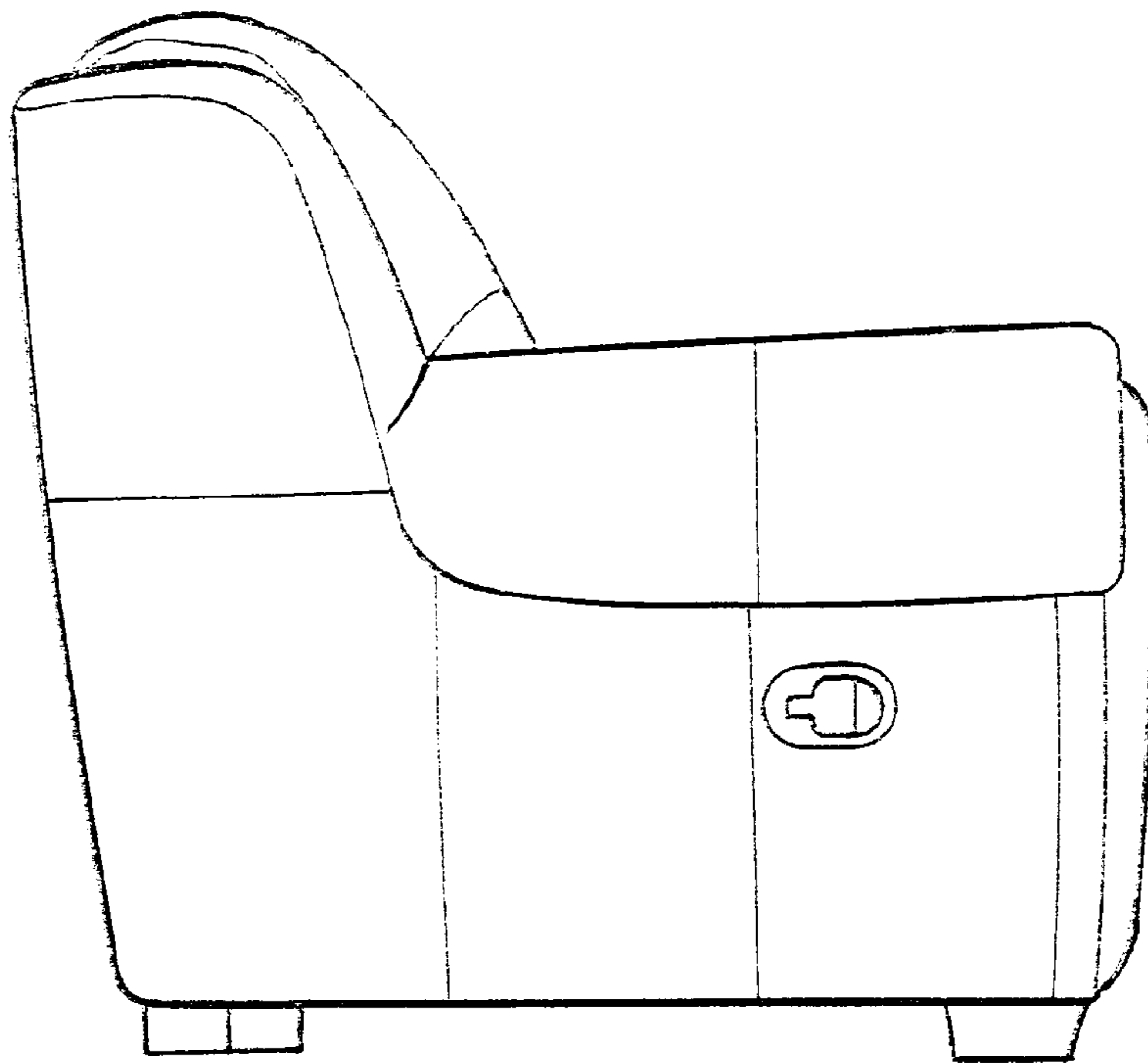


FIG. 4

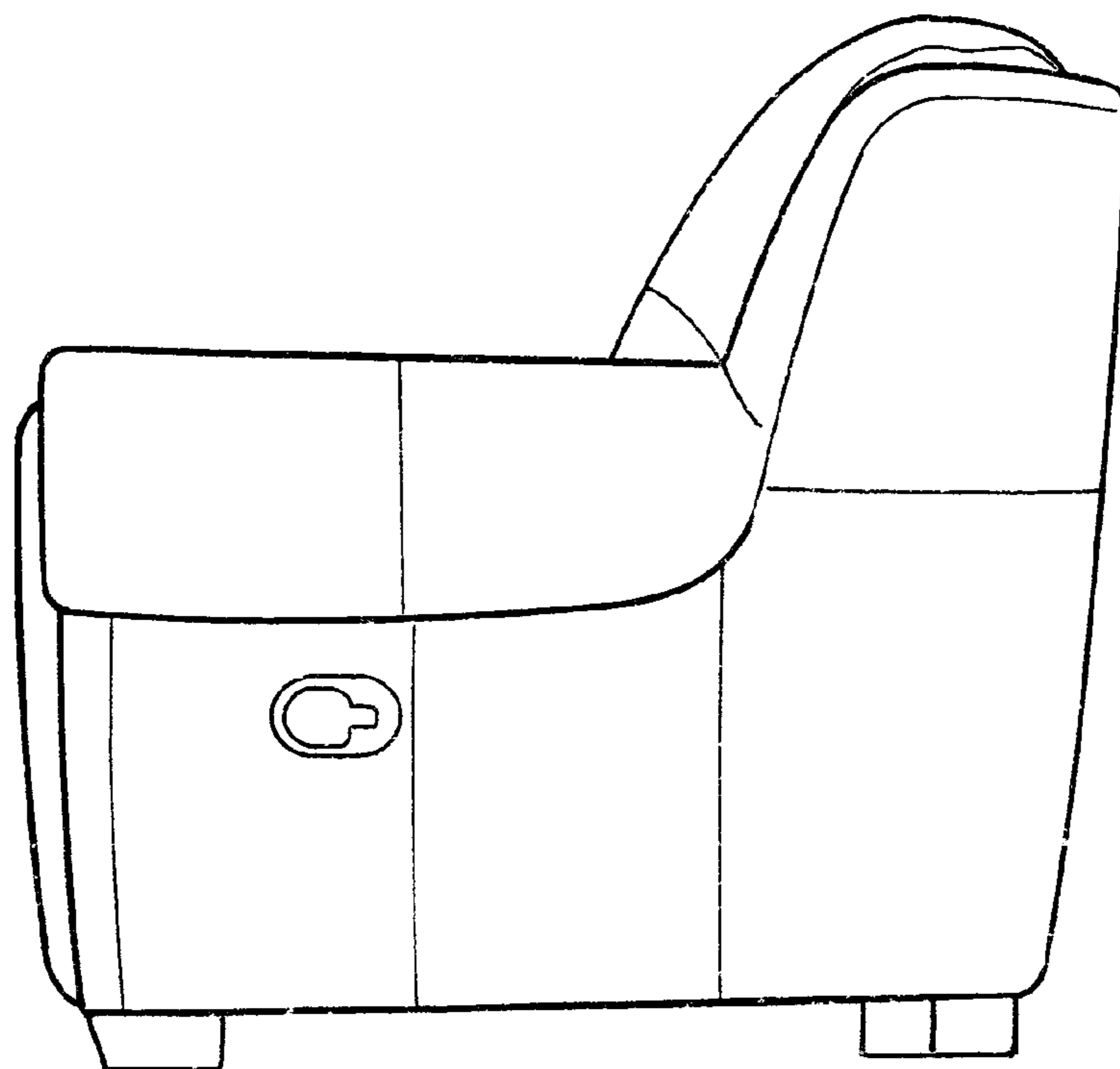


FIG. 5

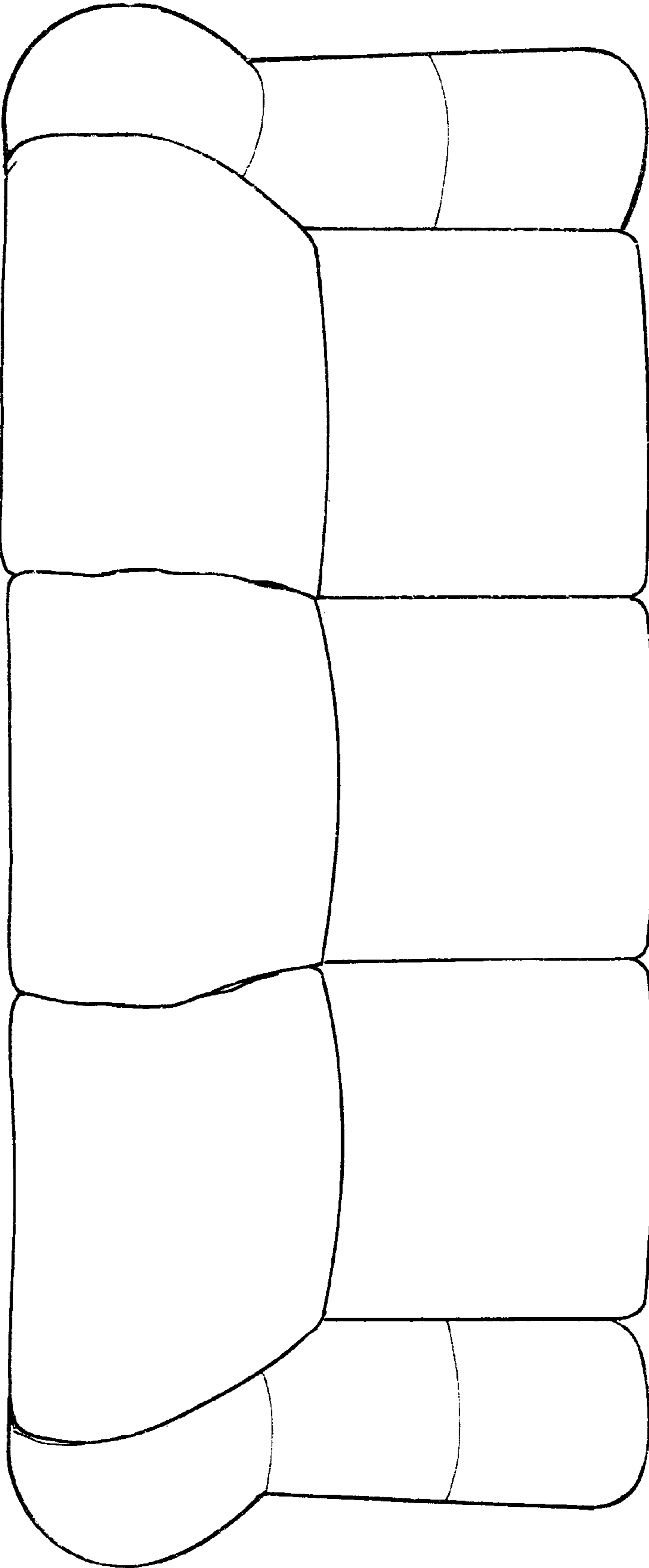


FIG 6

FIG. 7

