



US00D510817S

(12) **United States Design Patent** (10) **Patent No.:** **US D510,817 S**  
**Goodworth** (45) **Date of Patent:** **\*\* Oct. 25, 2005**

(54) **DRAFTING STOOL WITHOUT ARMS**

FOREIGN PATENT DOCUMENTS

(75) Inventor: **William H. Goodworth**, Davenport, IA (US)

BE	524012	11/1953
CA	1184108	3/1985
DE	626080	8/1936

(73) Assignee: **HNI Technologies Inc.**, Muscatine, IA (US)

OTHER PUBLICATIONS

(\*\*) Term: **14 Years**

- www.steelcase.com, Jul. 18, 2001, 1 page.
- www.troelsgrum-schwensen.com, Jul. 16, 2001, 2 pages.
- www.keilhauer.com, Jul. 18, 2001, 1 page.
- www.fixturesfurniture.com, Aug. 8, 2001, 2 pages.
- www.virco.com, Jul. 16, 2001, 1 page.
- www.virco.com, Aug. 8, 2001, 1 page.
- www.visualibrary.com, Feb. 27, 2002, 1 page.
- www.troelsgrum-schwensen.com, Mar. 6, 2002, 1 page.
- www.tribu-design.com, Aug. 13, 2001, 1 page.
- www.plantationpatterns.com, Oct. 1, 2001, 2 pages.
- www.unitedchair.com, Jul. 2001, 1 page.
- www.meritalia.it.it/sedie/eng, Aug. 16, 2001, 1 page.
- www.troelsgrum-schwensen.com, Jul 24, 2001, 1 page.
- www.scottriceok.com, Jul. 16, 2001, 1 page.
- www.psgerry.com, Sep. 27, 2001, 2 pages.

(21) Appl. No.: **29/181,990**

(22) Filed: **May 19, 2003**

(51) **LOC (8) Cl.** ..... **06-01**

(52) **U.S. Cl.** ..... **D6/366; D6/360**

(58) **Field of Search** ..... D6/334, 335, 360, D6/364, 365, 366, 367, 500, 501, 502; 297/411.2, 423.1, 461

(56) **References Cited**

U.S. PATENT DOCUMENTS

1,950,226 A	3/1934	Cable	
2,602,489 A	7/1952	Holten	
3,475,054 A	10/1969	Flint	
D274,675 S	* 7/1984	Diffrient	D6/366
D277,443 S	* 2/1985	Murry	D6/366
D279,246 S	6/1985	Murry	
D303,597 S	9/1989	Kaminski	
D303,598 S	9/1989	Tornero	
D309,382 S	* 7/1990	Buhk	D6/360
D366,089 S	1/1996	Ackerson, Jr.	
5,697,673 A	12/1997	Favaretto	
D401,453 S	11/1998	Holt	
D408,161 S	4/1999	Caruso	
D435,746 S	1/2001	Diffrient	
D438,392 S	3/2001	Lucci et al.	
D439,452 S	3/2001	Turner et al.	
D440,797 S	4/2001	Norman	
D447,351 S	9/2001	Sato	
D453,633 S	2/2002	Diffrient	
D456,627 S	* 5/2002	Pearce et al.	D6/366
D465,938 S	* 11/2002	Huang	D6/366
D475,210 S	* 6/2003	Tsai	D6/366
D483,193 S	* 12/2003	Goodworth	D6/366
2002/0005658 A1	1/2002	Peretti	

\* cited by examiner

*Primary Examiner*—Mimosa De

(74) *Attorney, Agent, or Firm*—Ronald A. Sandler; Jones Day

(57) **CLAIM**

The ornamental design for a drafting stool without arms, as shown and described.

**DESCRIPTION**

- FIG. 1 is a front isometric view of the drafting stool without arms showing the new design.
- FIG. 2 is a front view thereof.
- FIG. 3 is a rear view thereof.
- FIG. 4 is a left side elevation view thereof.
- FIG. 5 is a right side elevation view thereof.
- FIG. 6 is a top plan view thereof; and,
- FIG. 7 is a bottom plan view thereof.

**1 Claim, 4 Drawing Sheets**

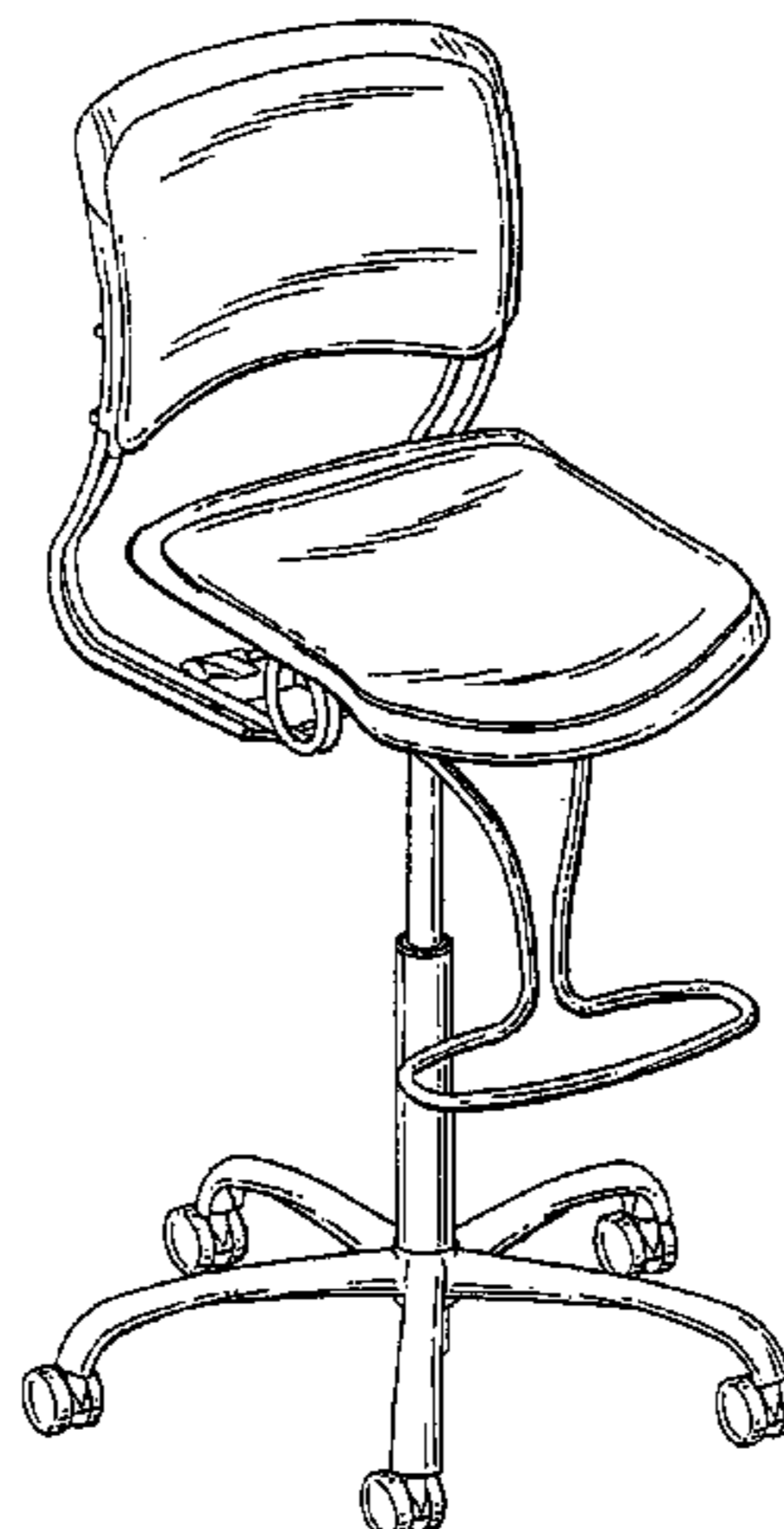
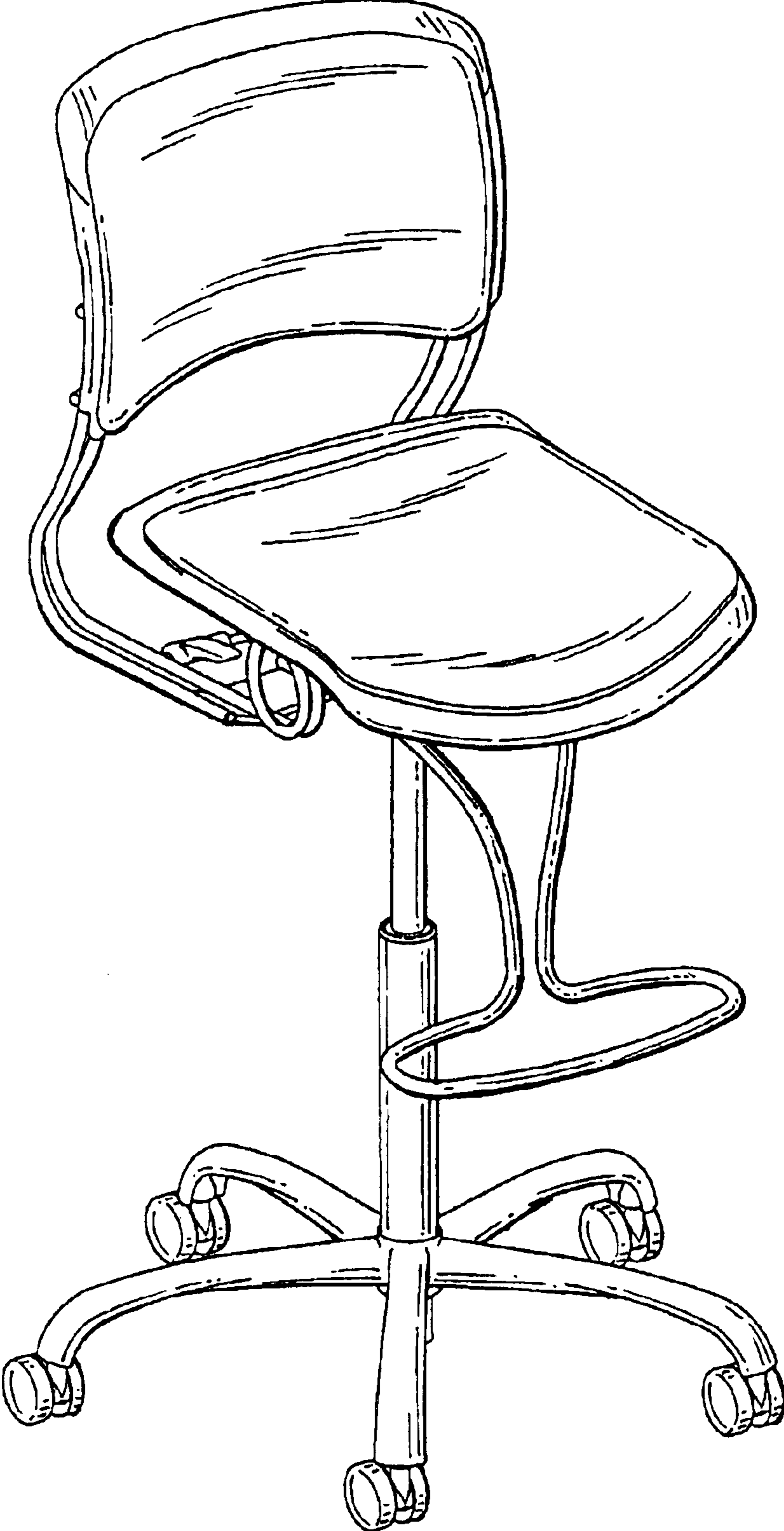


FIG. 1



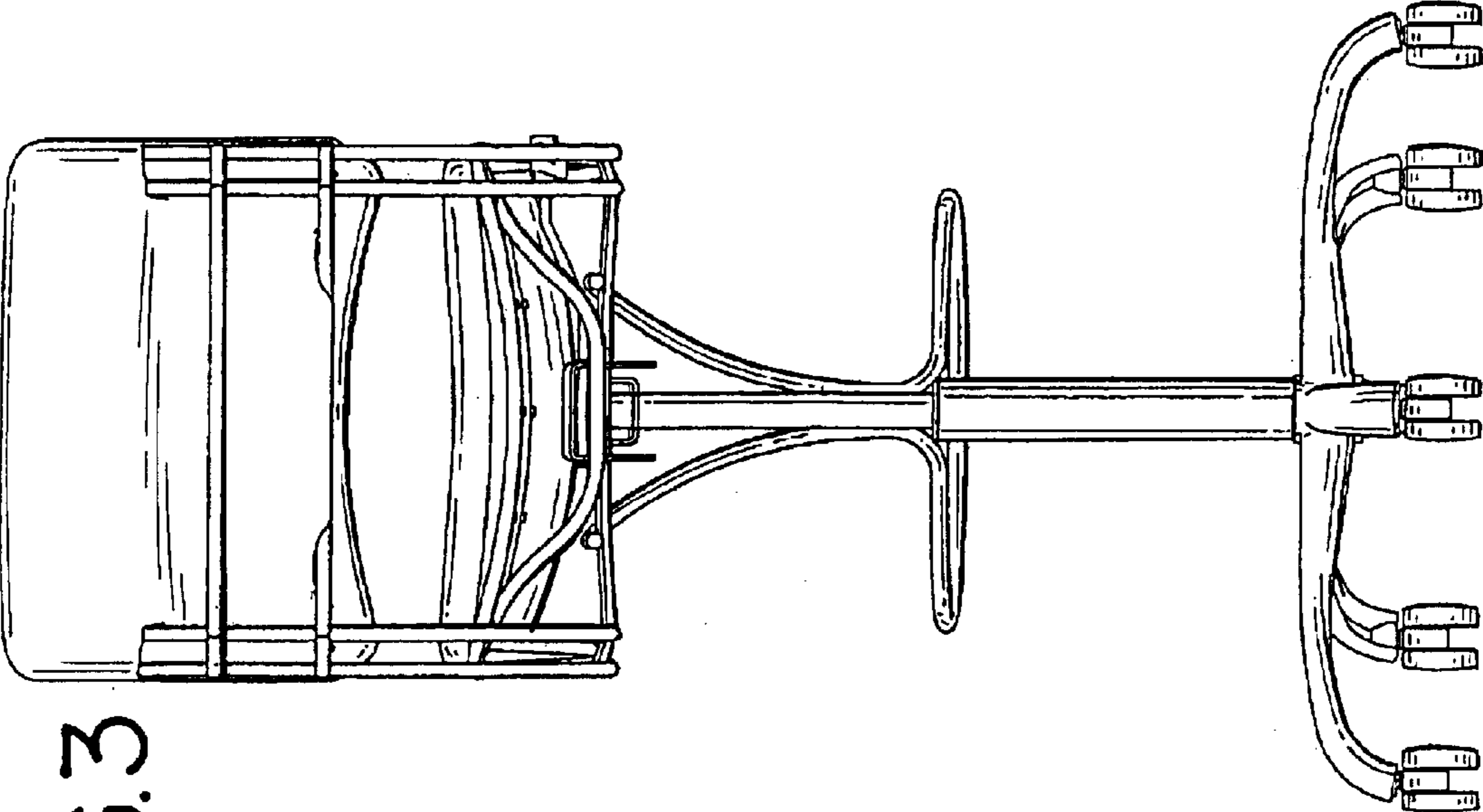


FIG.3

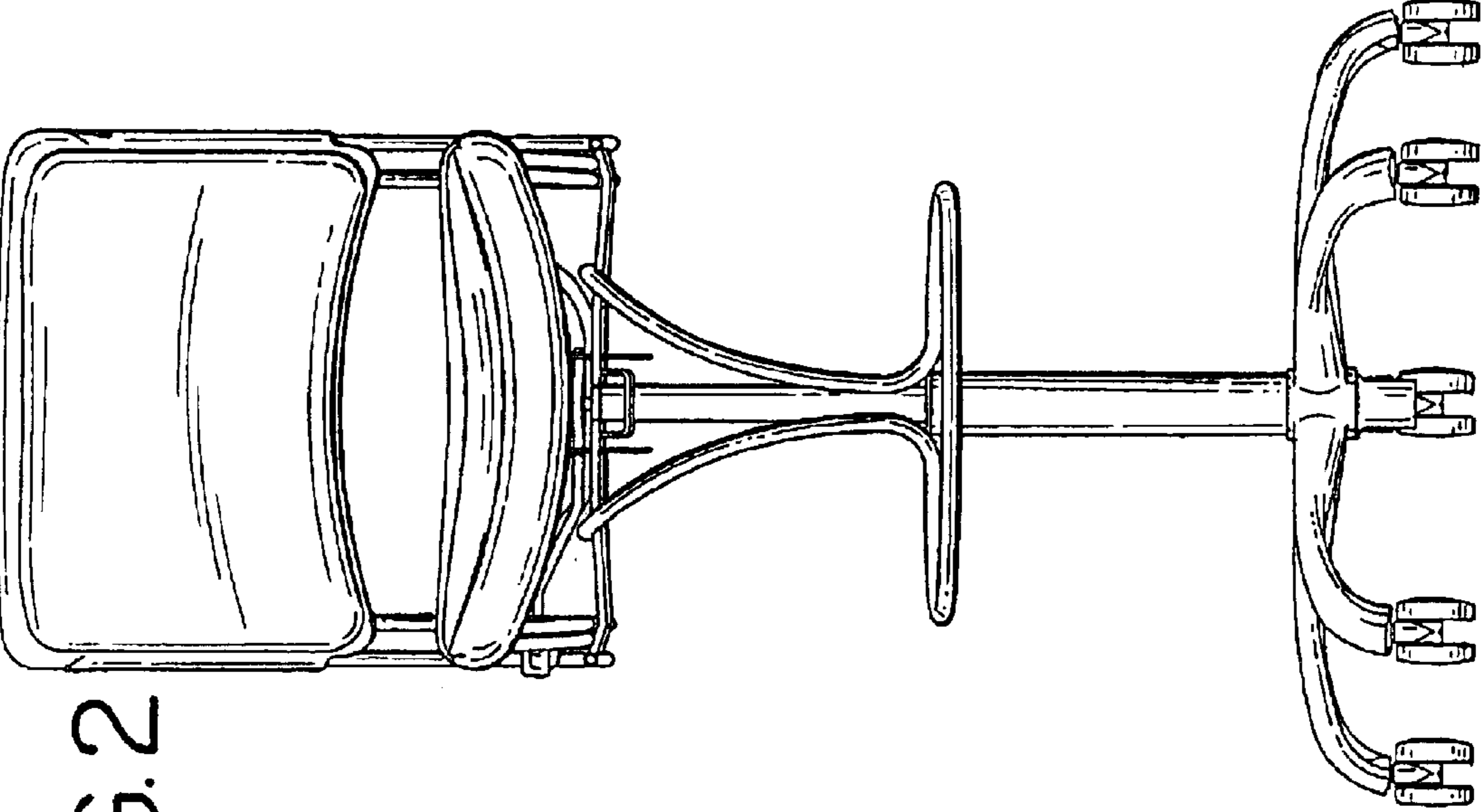


FIG.2

FIG. 5

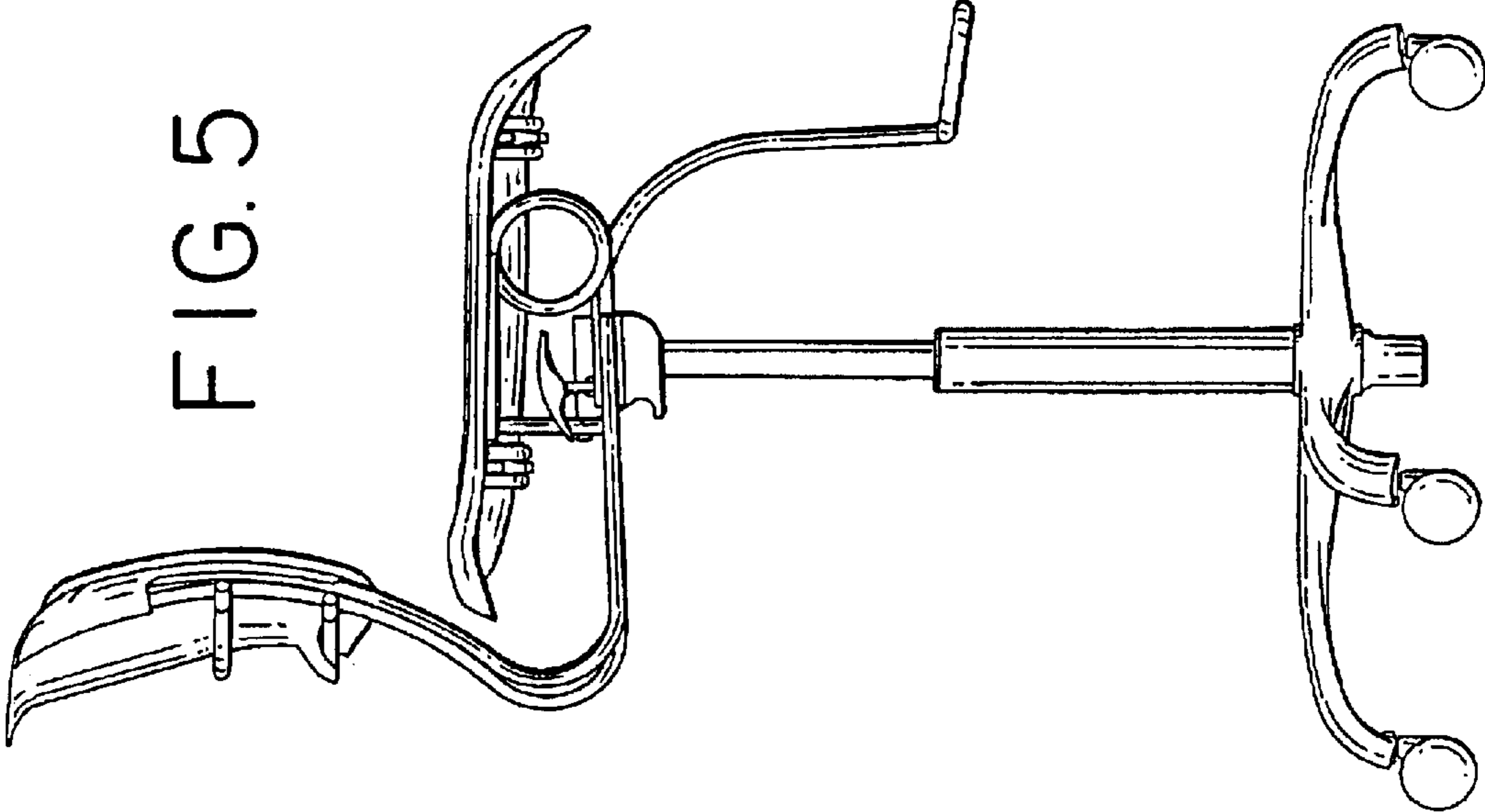


FIG. 4

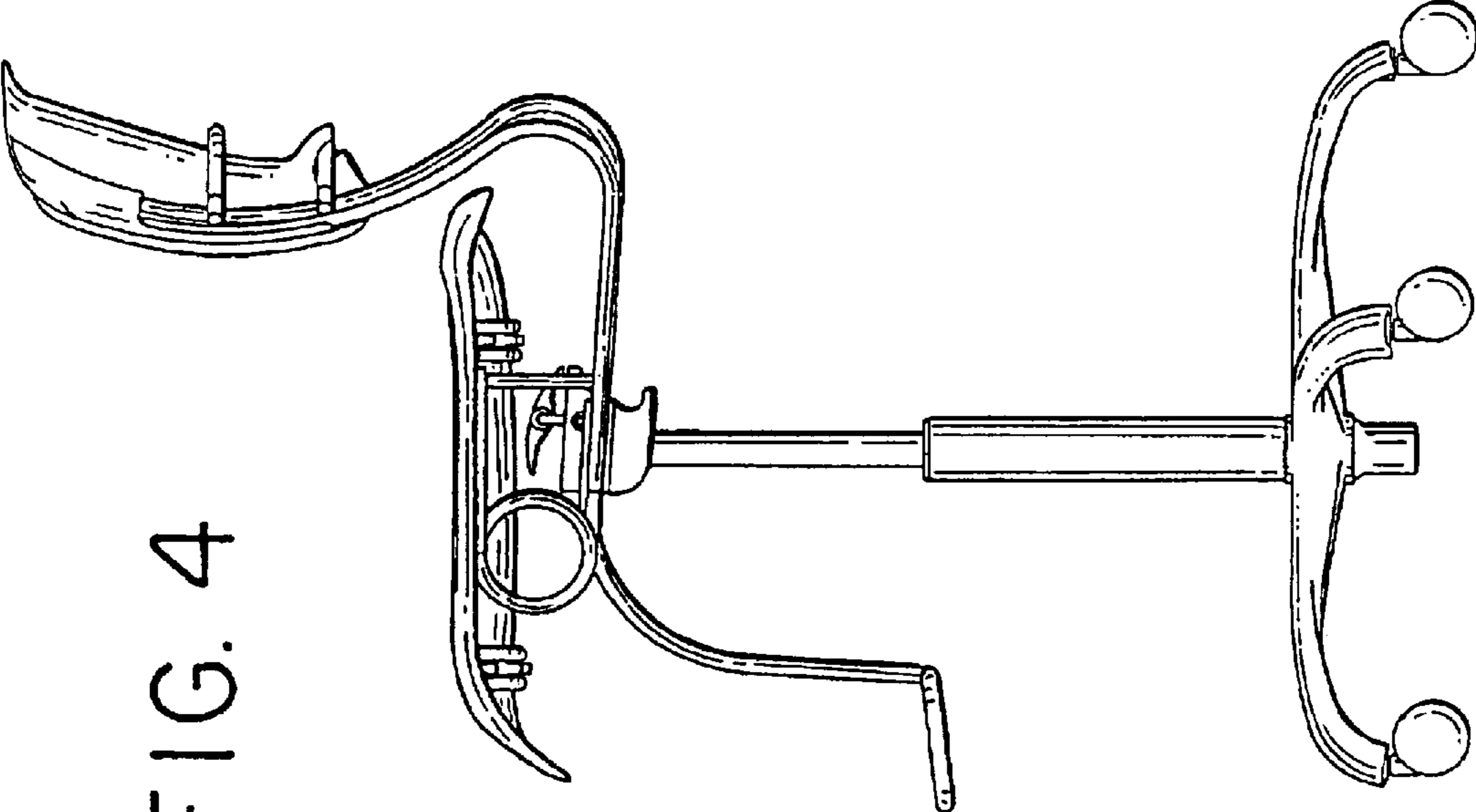




FIG. 7

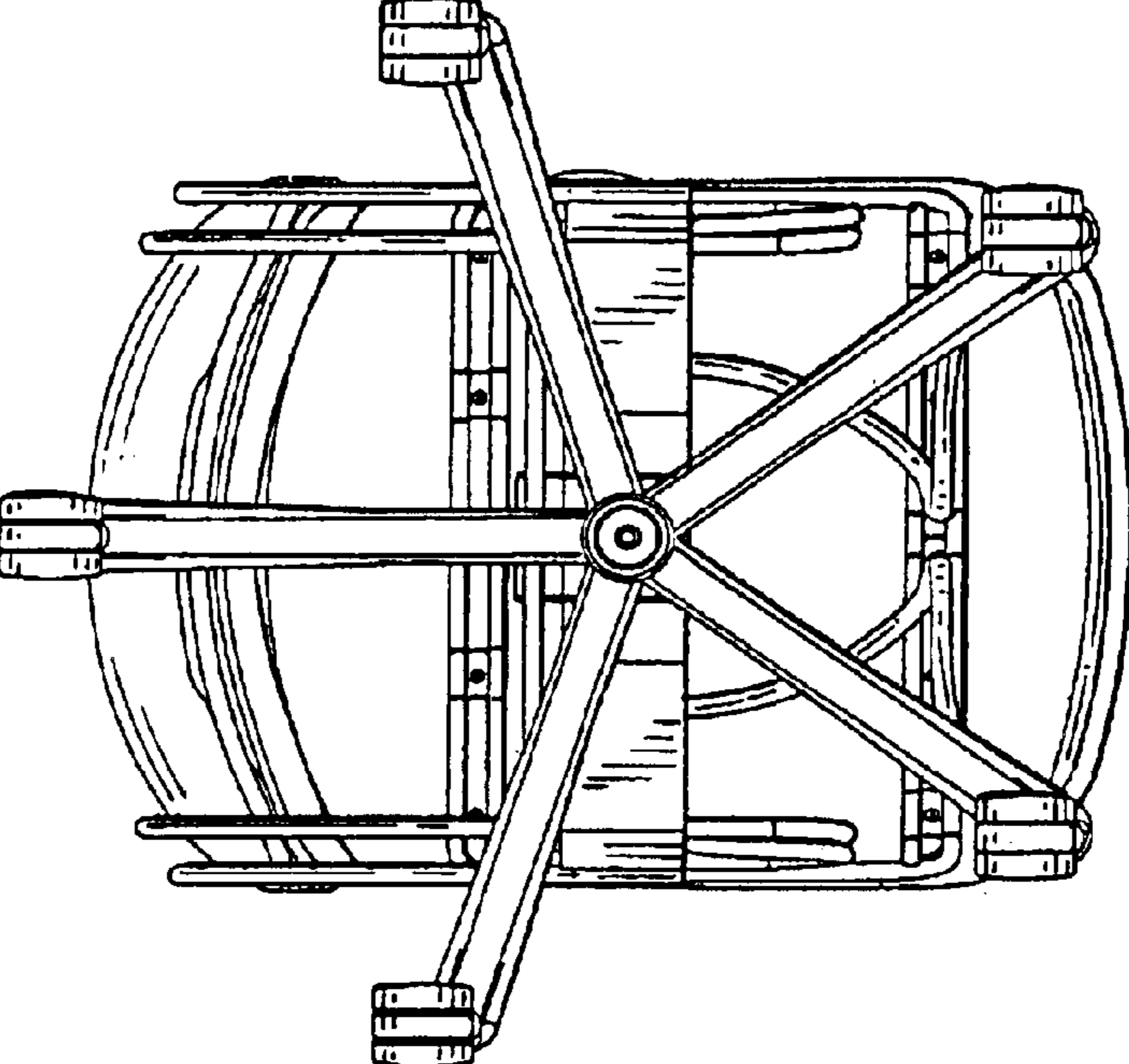


FIG. 6

