



US00D510816S

(12) **United States Design Patent**
Lee

(10) **Patent No.: US D510,816 S**
(45) **Date of Patent: ** Oct. 25, 2005**

(54) **PASSENGER SEAT**

(75) **Inventor: Jong Hee Lee, Goyang (KR)**

(73) **Assignee: Korean Airlines Co., Ltd. (KR)**

(**) **Term: 14 Years**

(21) **Appl. No.: 29/212,575**

(22) **Filed: Sep. 2, 2004**

(30) **Foreign Application Priority Data**

Aug. 27, 2004 (KR) 30-2004-0026315

(51) **LOC (8) Cl. 06-01**

(52) **U.S. Cl. D6/356**

(58) **Field of Search** D6/334-336, 356,
D6/360, 361, 367, 368, 377, 381, 500-502;
297/170, 172, 174, 232, 174 R, 354.1,
361.1, 452.14, 452.34; D12/195, 345

(56) **References Cited**

U.S. PATENT DOCUMENTS

- D402,125 S * 12/1998 Dryburgh et al. D6/356
- D405,275 S * 2/1999 Dryburgh et al. D6/356
- D439,063 S * 3/2001 Round et al. D6/356
- D439,425 S * 3/2001 Park et al. D6/356

- D443,990 S * 6/2001 Beroth D6/356
- D487,981 S * 4/2004 Ludeke et al. D6/356
- D493,294 S * 7/2004 Newson D6/356

* cited by examiner

Primary Examiner—Mimosa De

(74) *Attorney, Agent, or Firm*—O'Melveny & Myers LLP

(57) **CLAIM**

The ornamental design for a passenger seat, as shown and described.

DESCRIPTION

The design consists of the ornamental shape of a passenger seat. The bottom of the passenger seat is not ornamented, and is not part of the design.

FIG. 1 is a perspective view of the passenger seat.

FIG. 2 is a front view of the passenger seat.

FIG. 3 is a rear view of the passenger seat.

FIG. 4 is a left side view of the passenger seat.

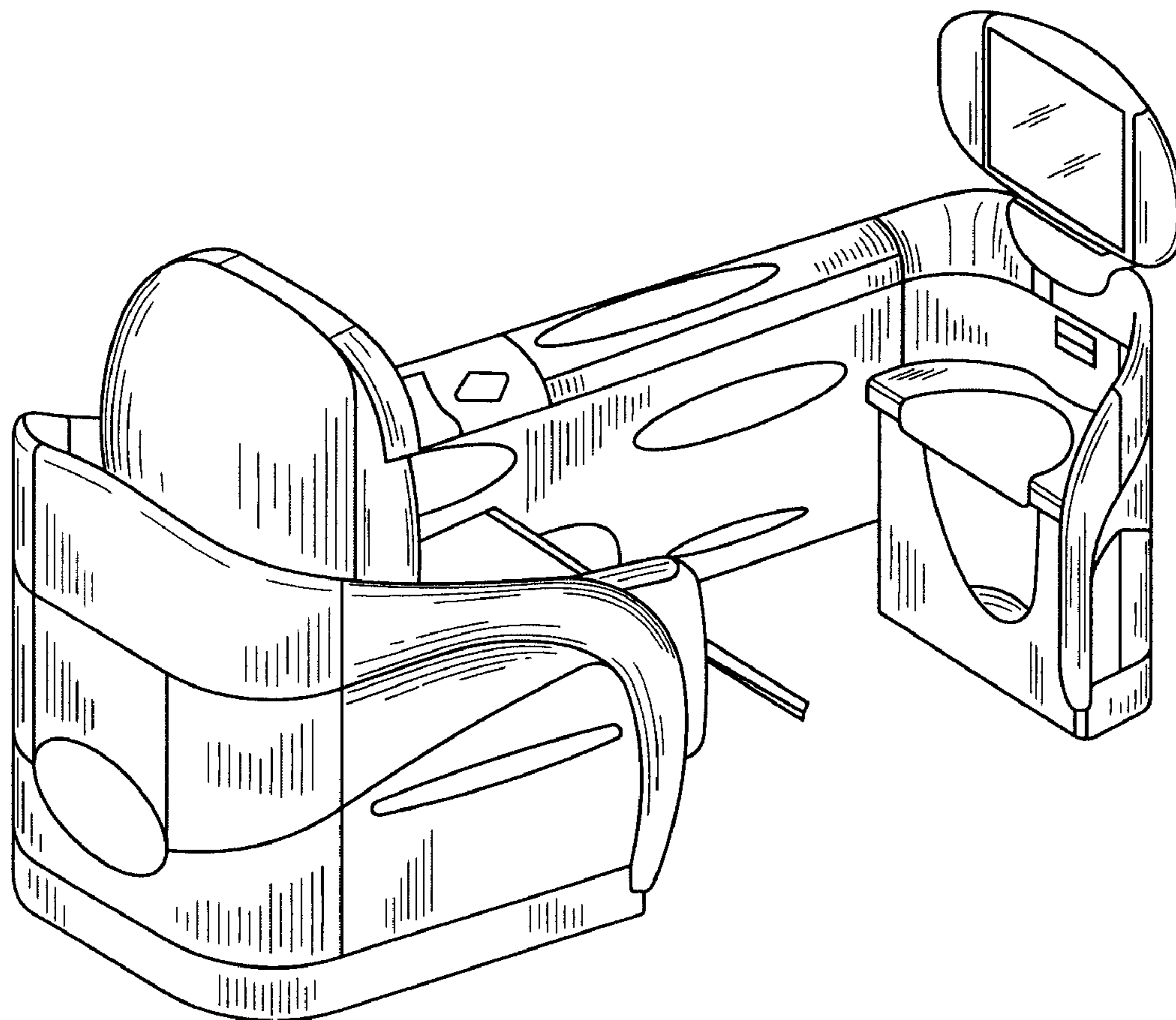
FIG. 5 is a right side view of the passenger seat.

FIG. 6 is a top plan view of the passenger seat.

FIG. 7 is a perspective view of the passenger seat while in a reclining position; and,

FIG. 8 is a perspective view of the passenger seat with table in a deployed position.

1 Claim, 4 Drawing Sheets



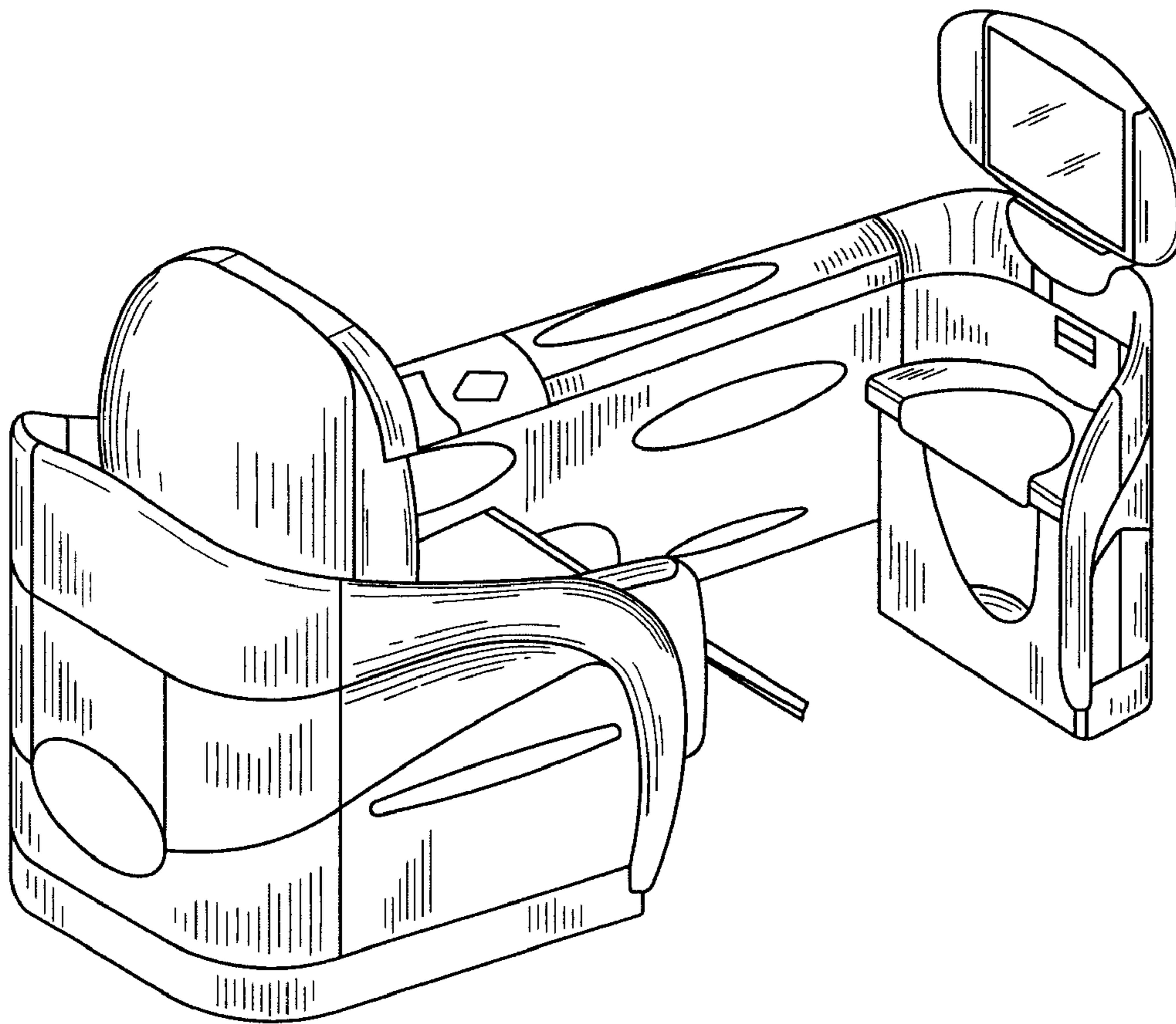


FIG. 1

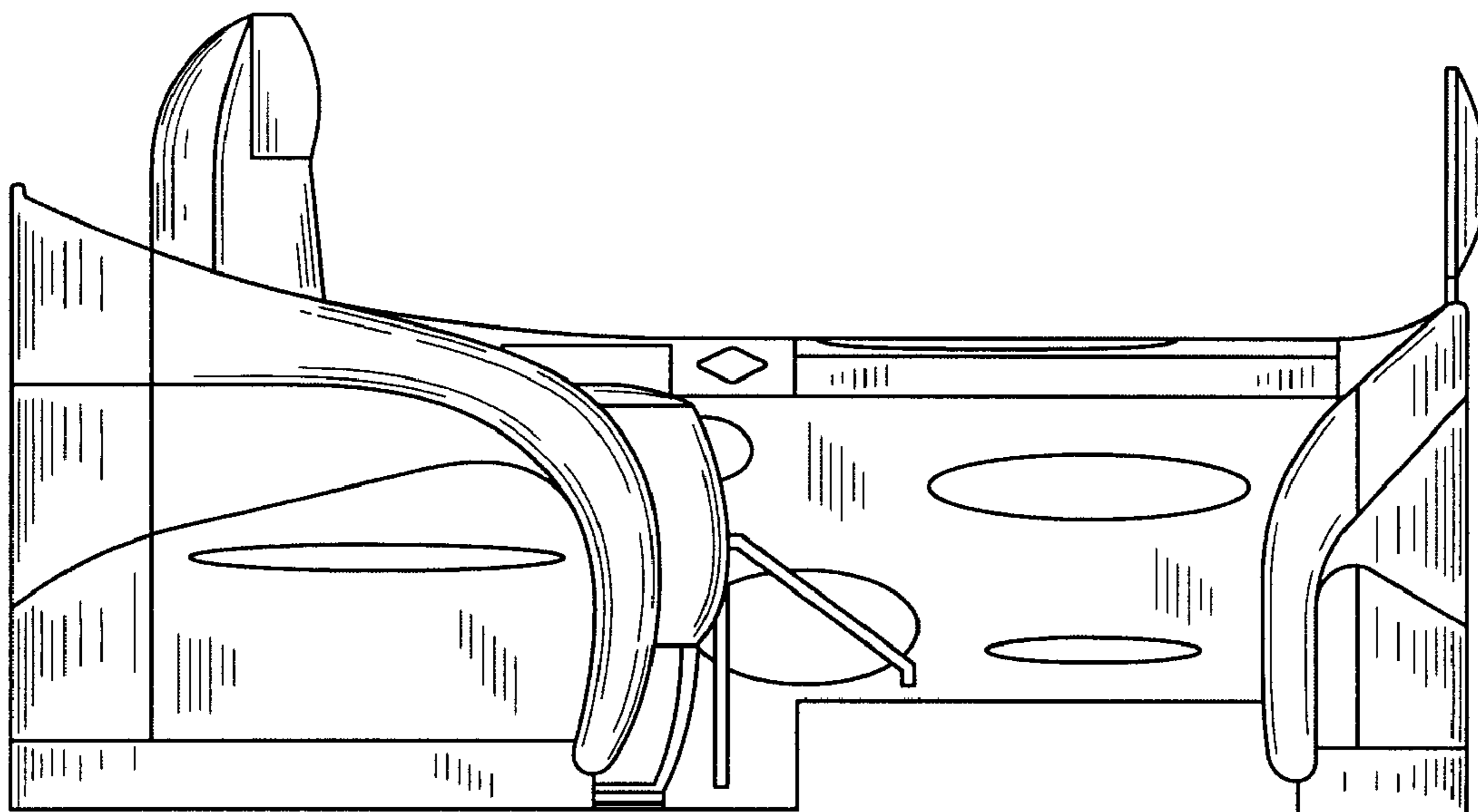


FIG. 2

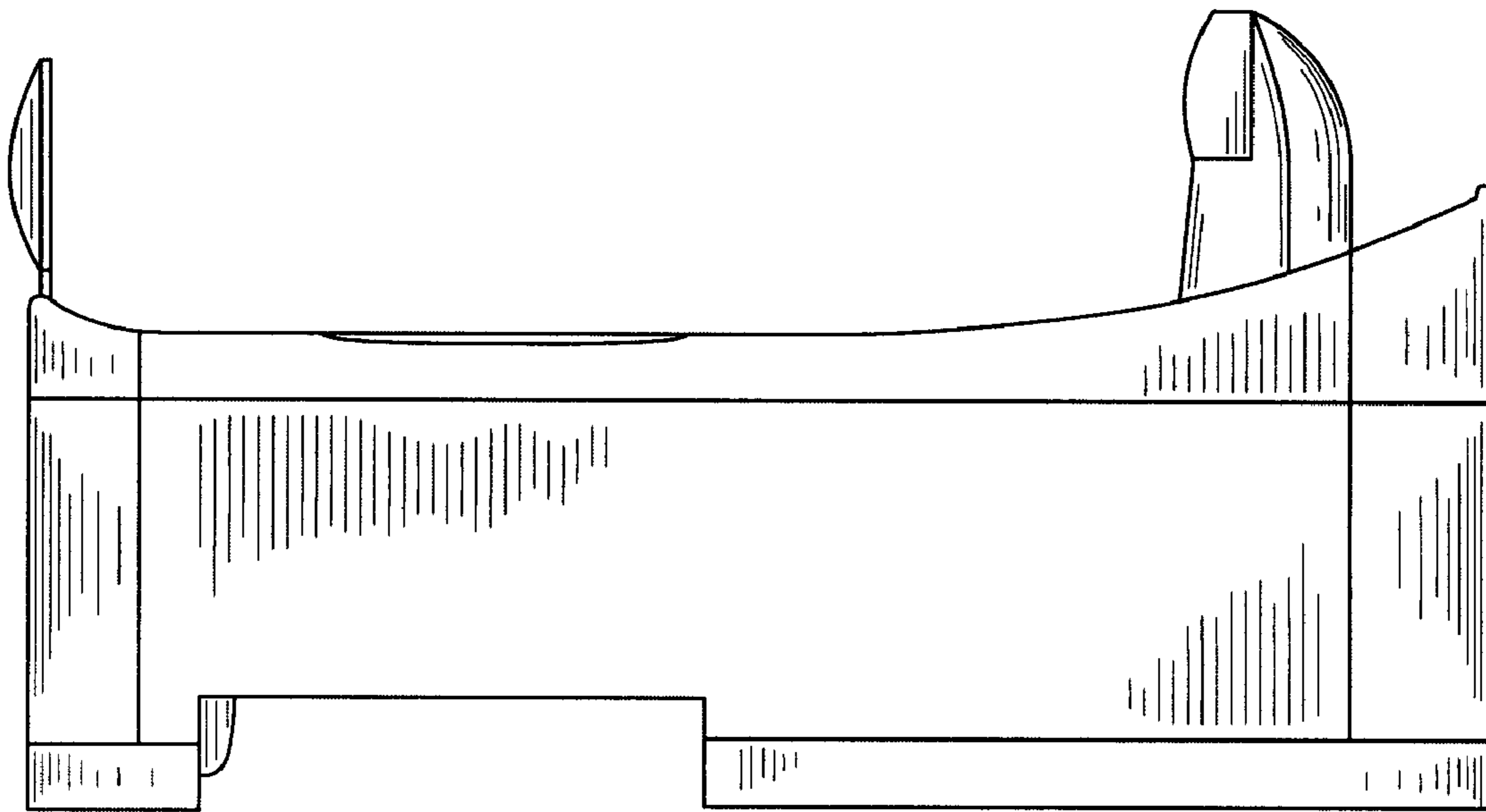


FIG. 3

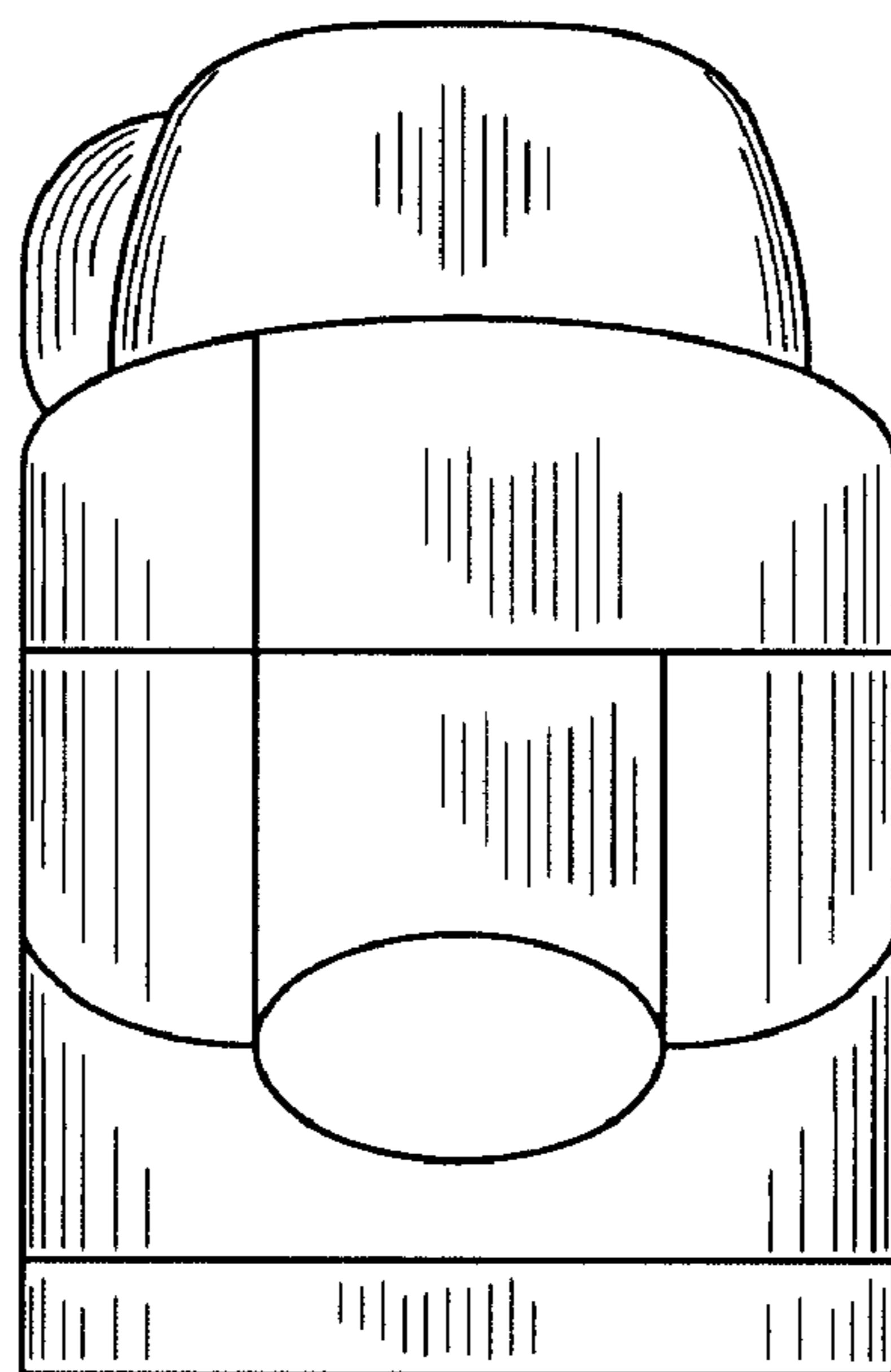


FIG. 4

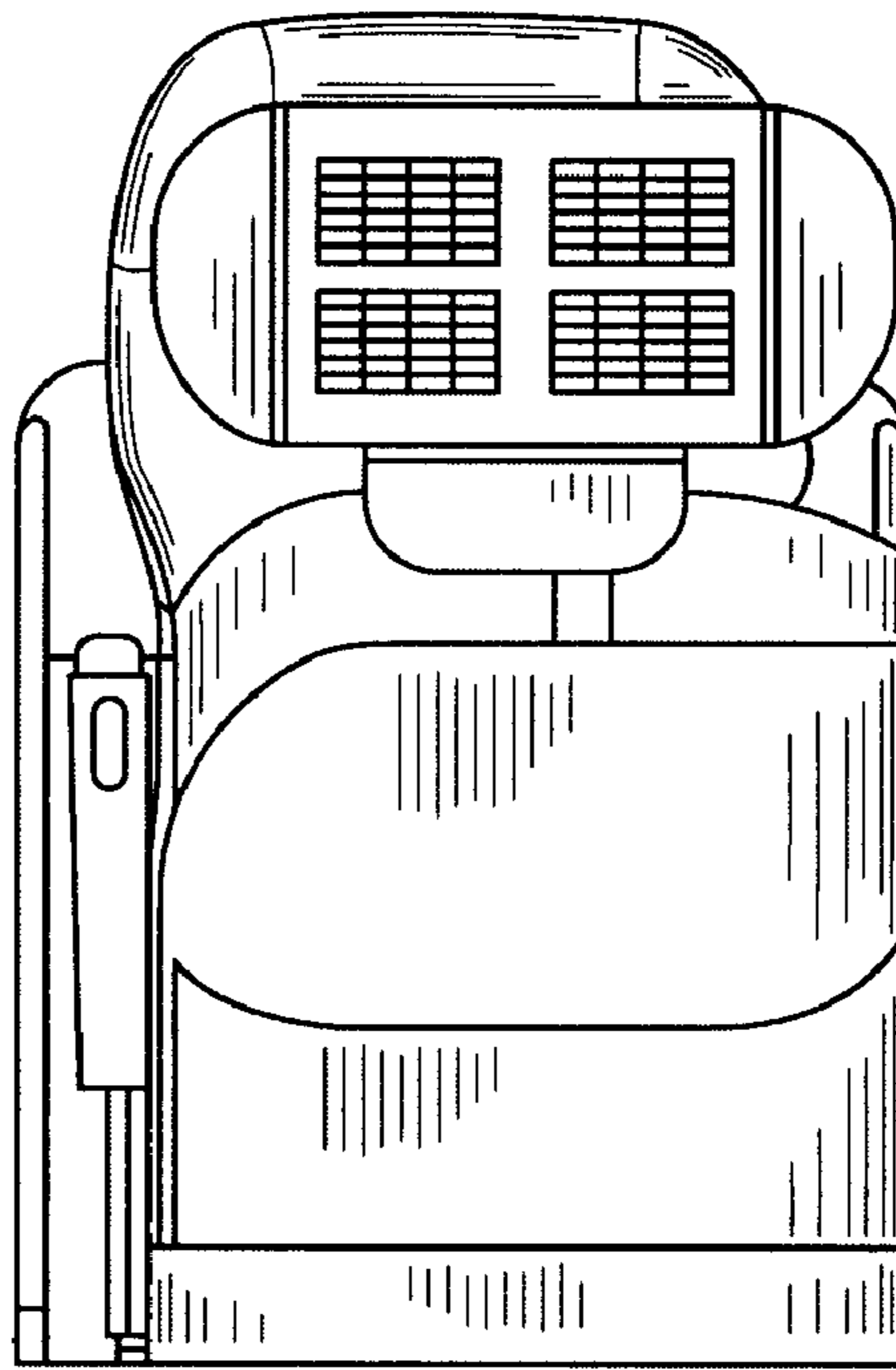


FIG. 5

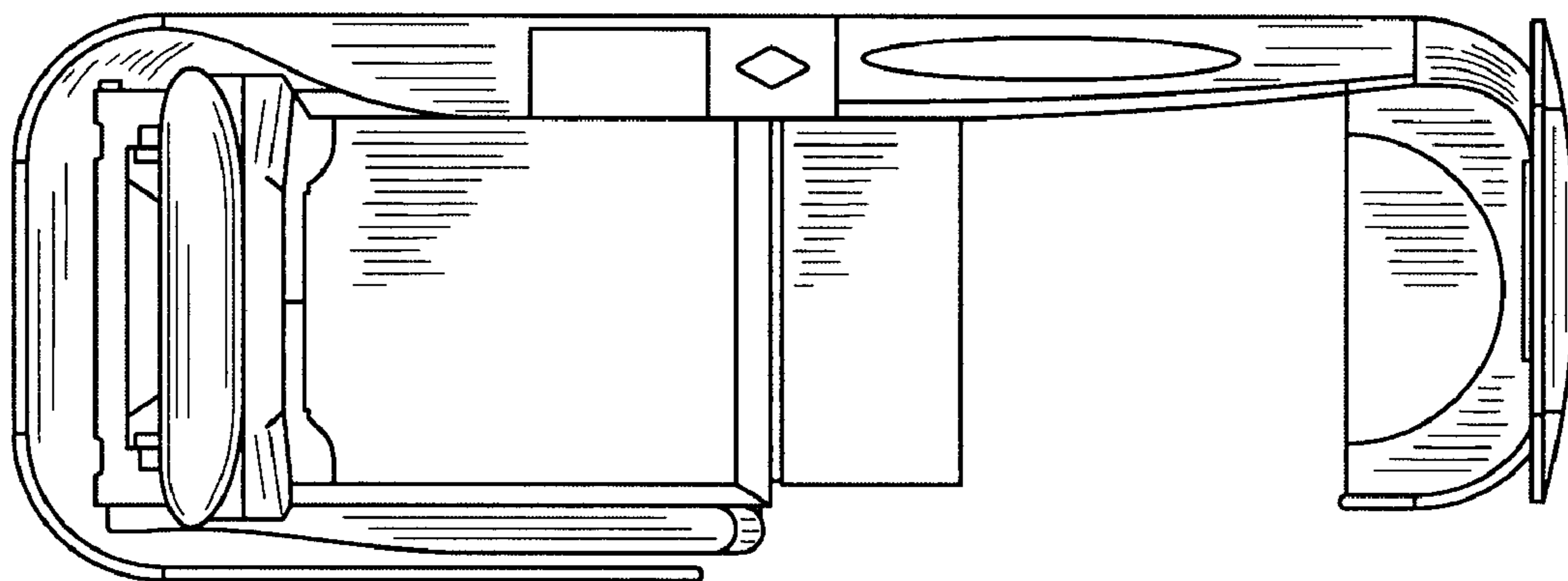


FIG. 6

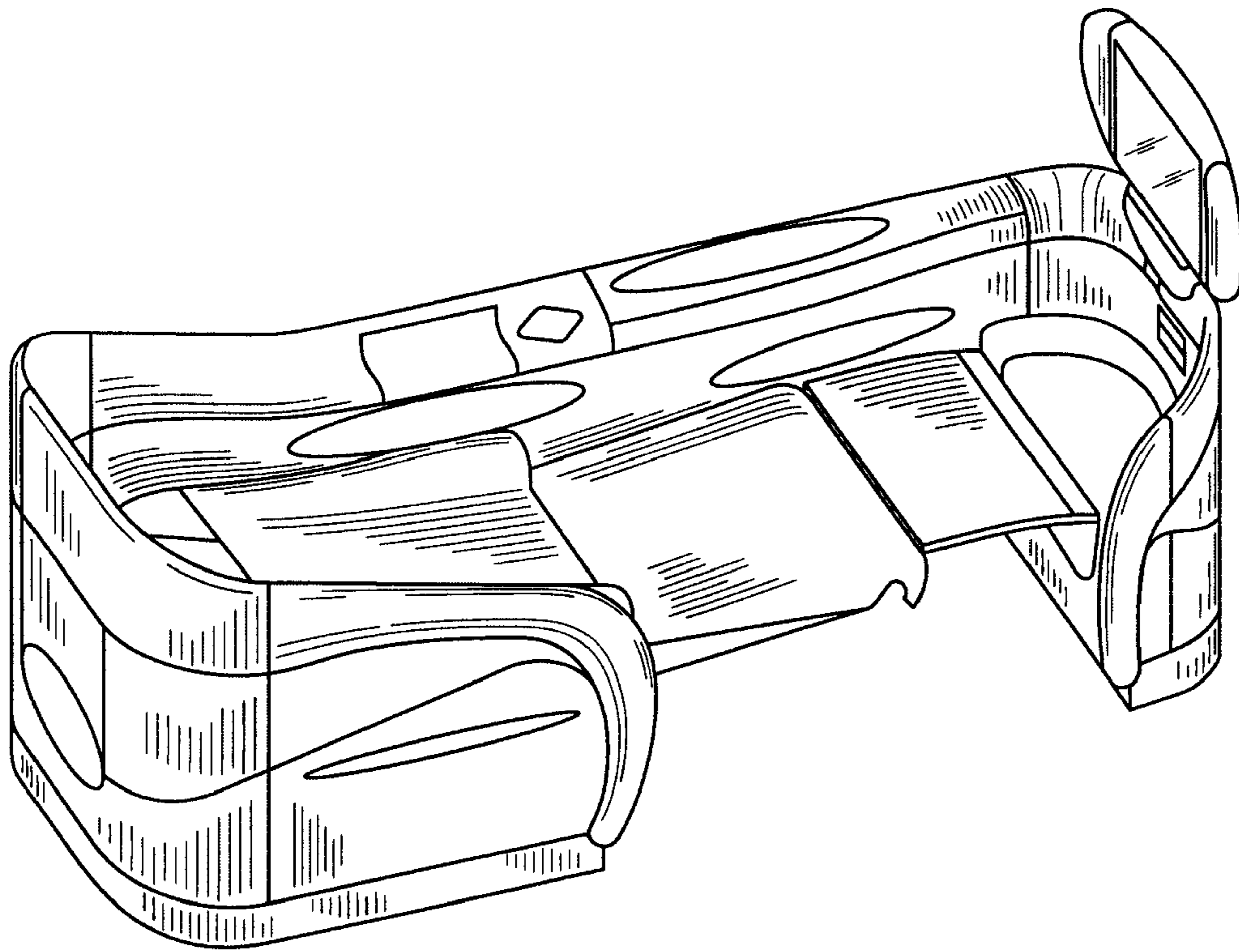


FIG. 7

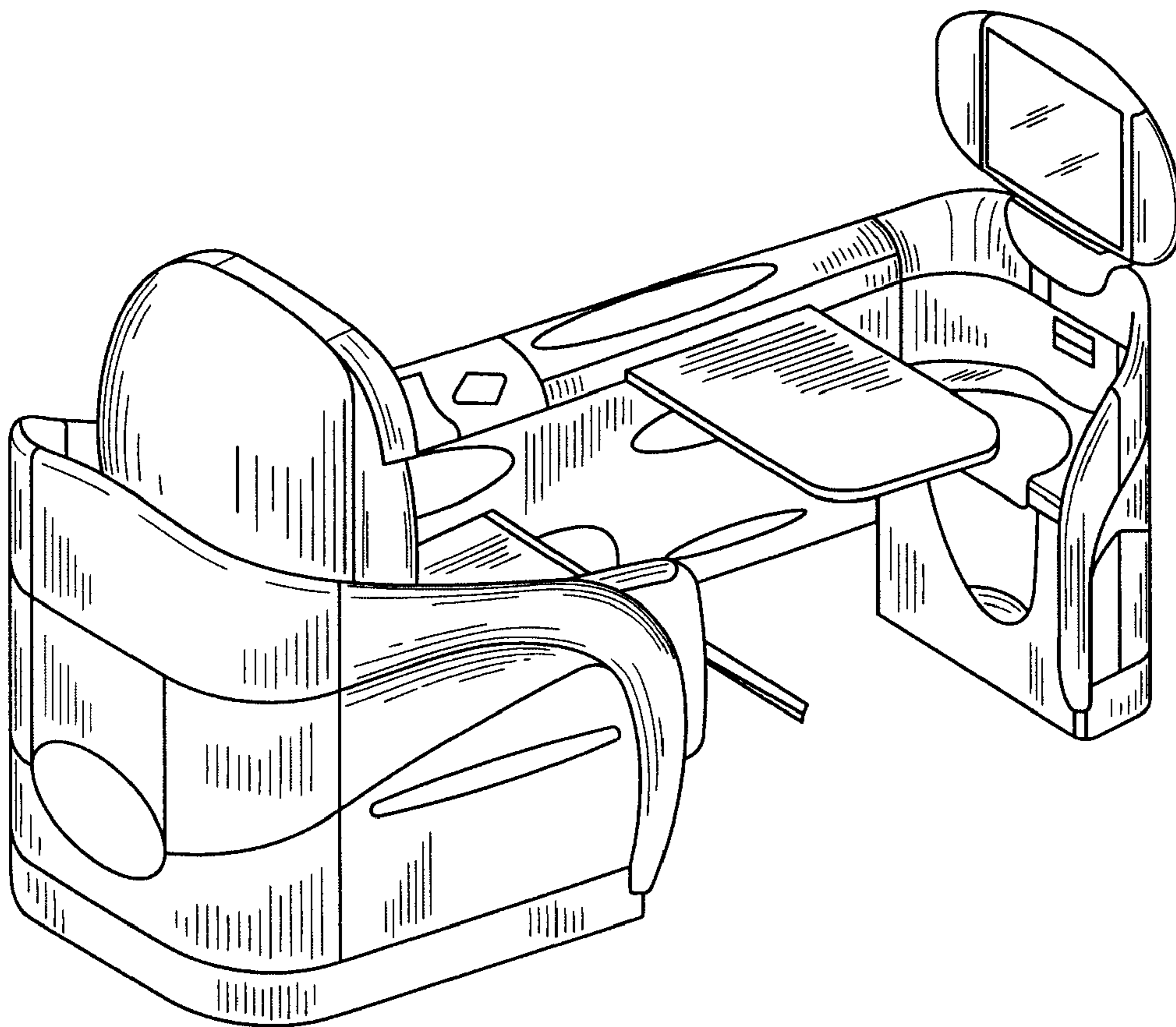


FIG. 8