

US00D510813S

(12) **United States Design Patent** (10) **Patent No.:** **US D510,813 S**
Gilman (45) **Date of Patent:** **** Oct. 25, 2005**

(54) **FOLDABLE PAINTBRUSH HOLDER**

WO WO03028504 4/2003

(76) Inventor: **W. Lee Gilman**, 891 Russ Norris Rd.,
Elk Park, NC (US) 28622

OTHER PUBLICATIONS

(**) Term: **14 Years**

“Paint Brush Holder For Carrying To Class”, website:
<http://sewing.about.com/library/weekly/aa071901a.htm>, 3
pages, May 7, 2004.

(21) Appl. No.: **29/214,185**

* cited by examiner

(22) Filed: **Sep. 30, 2004**

(51) **LOC (8) Cl.** **04-99**

Primary Examiner—Alan P. Douglas
Assistant Examiner—Lavone D. Tabor

(52) **U.S. Cl.** **D4/199; D9/422; D9/433;**
D3/228

(74) *Attorney, Agent, or Firm*—Wood, Ngo & Eisenberg,
PLLC

(58) **Field of Search** D4/199; 15/184,
15/246, 247; 206/15.2, 15.3, 361, 362.2,
362.3, 362.4, 775–777, 822; D3/201, 221,
228, 230, 303; D9/414, 418, 422, 430–432,
702, 711, 712; 150/161

(57) **CLAIM**

The ornamental design for a foldable paintbrush holder, as
shown and described.

(56) **References Cited**

DESCRIPTION

U.S. PATENT DOCUMENTS

1,951,576 A	3/1934	Lehr	
2,290,359 A	7/1942	Ringler	
2,841,273 A	7/1958	Scott	
4,606,456 A	8/1986	Kaminski	
4,751,762 A	6/1988	Meimeteas	
4,847,939 A	7/1989	Derencsenyi et al.	
5,191,973 A	3/1993	Shteynberg	
5,244,090 A	9/1993	Keith	
D350,234 S	9/1994	Losole	
5,363,959 A	* 11/1994	Crosby et al. 206/362.4
5,465,453 A	11/1995	Landmeier	
D395,005 S	* 6/1998	Burton D9/431
5,791,608 A	8/1998	Nielsen et al.	
D436,450 S	1/2001	Wilson	
6,575,295 B2	6/2003	Mayfield	
6,675,966 B1	1/2004	Ray	
2003/0062280 A1	4/2003	Davis	
2004/0050732 A1	3/2004	Baker	

FIG. 1 is a perspective view of a foldable paintbrush holder,
which is used for storing or displaying a paintbrush, showing
my new design;

FIG. 2 is a reduced front elevational view thereof;

FIG. 3 is a reduced rear elevational view thereof;

FIG. 4 is a reduced left side elevational view thereof;

FIG. 5 is a reduced right side elevational view thereof;

FIG. 6 is a reduced top plan view thereof;

FIG. 7 is a reduced bottom plan view thereof;

FIG. 8 is a front elevational view showing the interior of the
paintbrush holder in an unfolded condition thereof;

FIG. 9 is a front elevational view showing the exterior of the
paintbrush holder in an unfolded condition thereof; and,

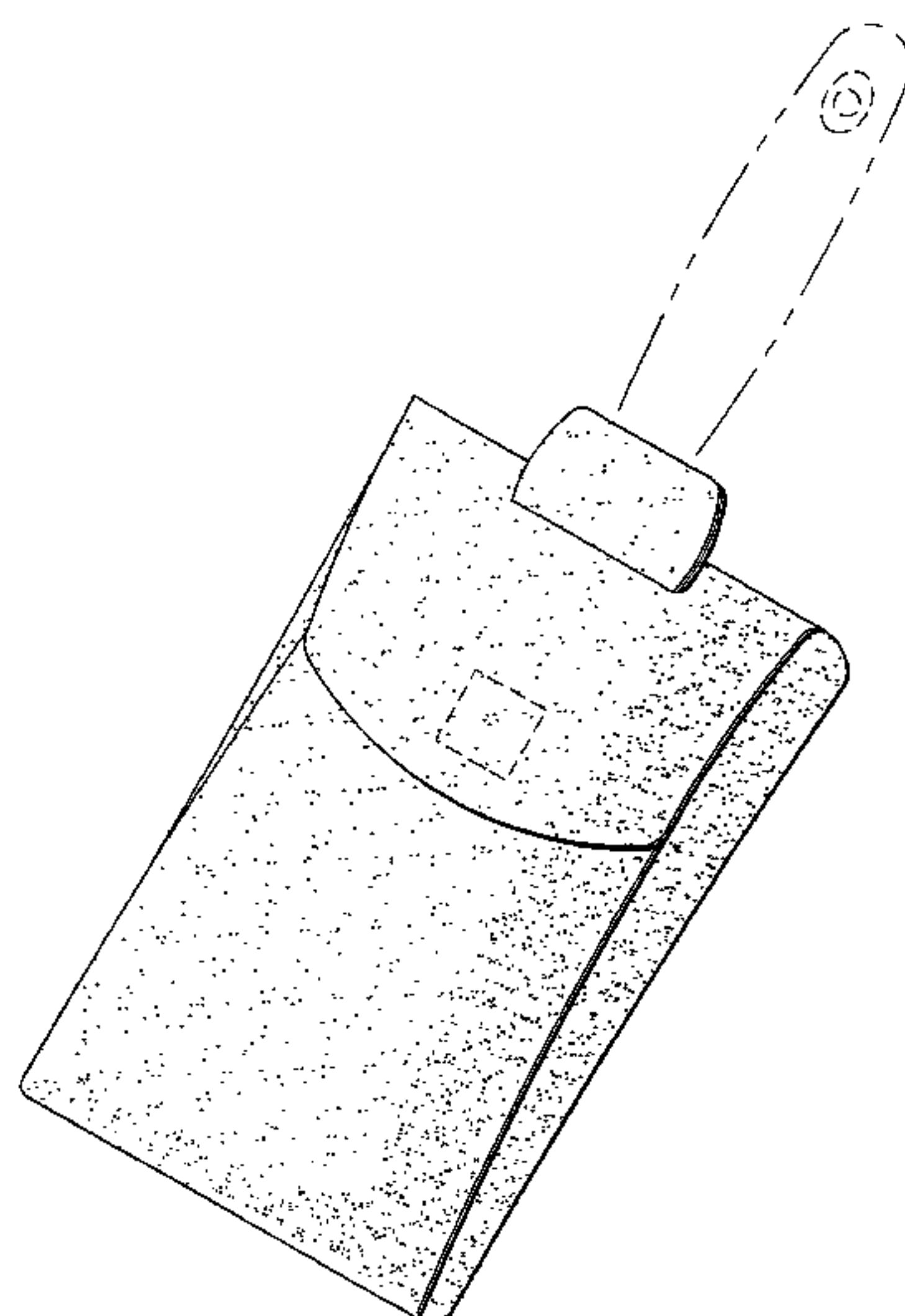
FIG. 10 is a right side view of the paintbrush holder in an
unfolded condition.

The broken lines shown in FIGS. 1, 2, 8, and 9 are for
illustrative purposes only and form no part of the claimed
design.

FOREIGN PATENT DOCUMENTS

DE 3622462 1/1988

1 Claim, 5 Drawing Sheets



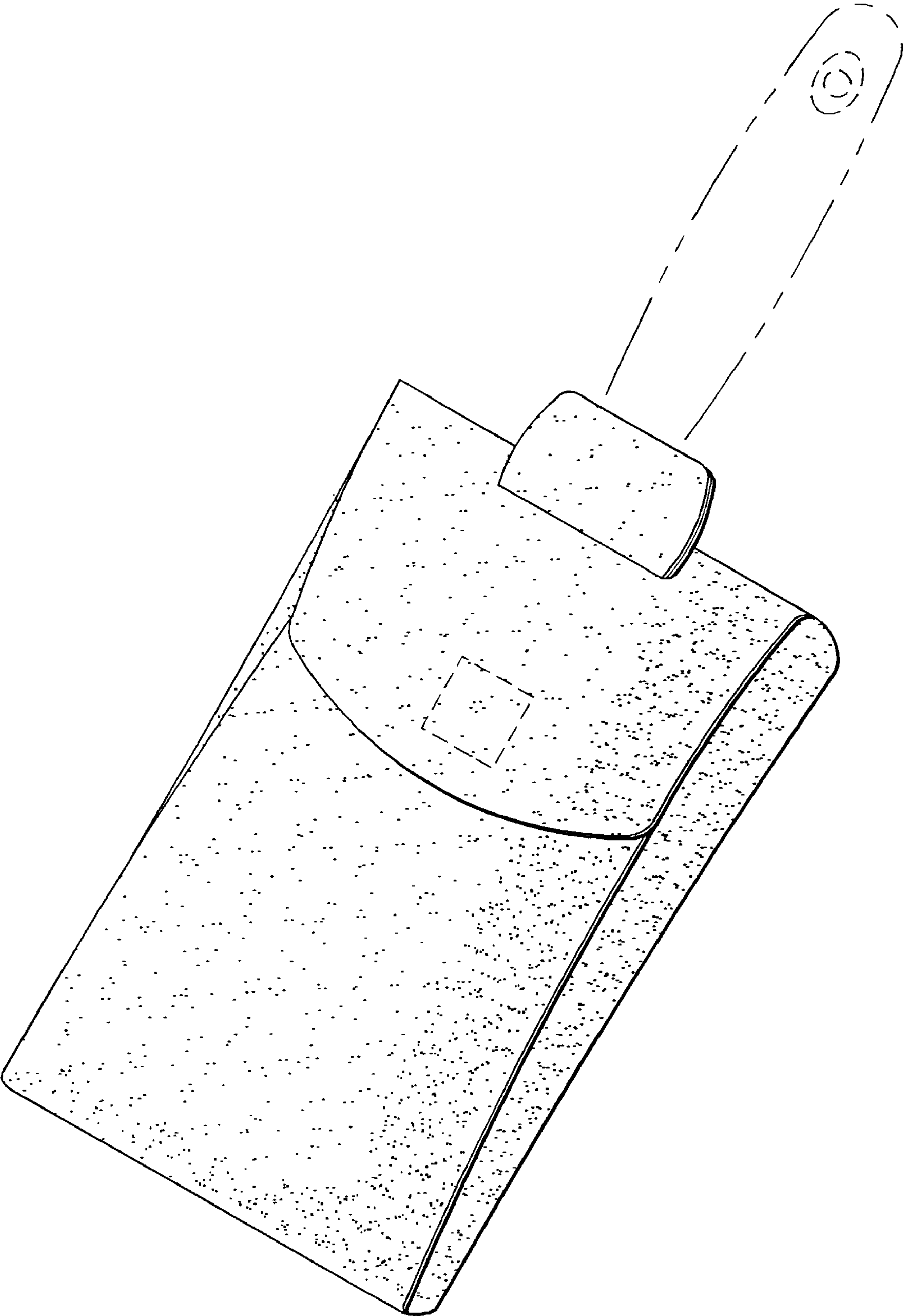


Fig. 1

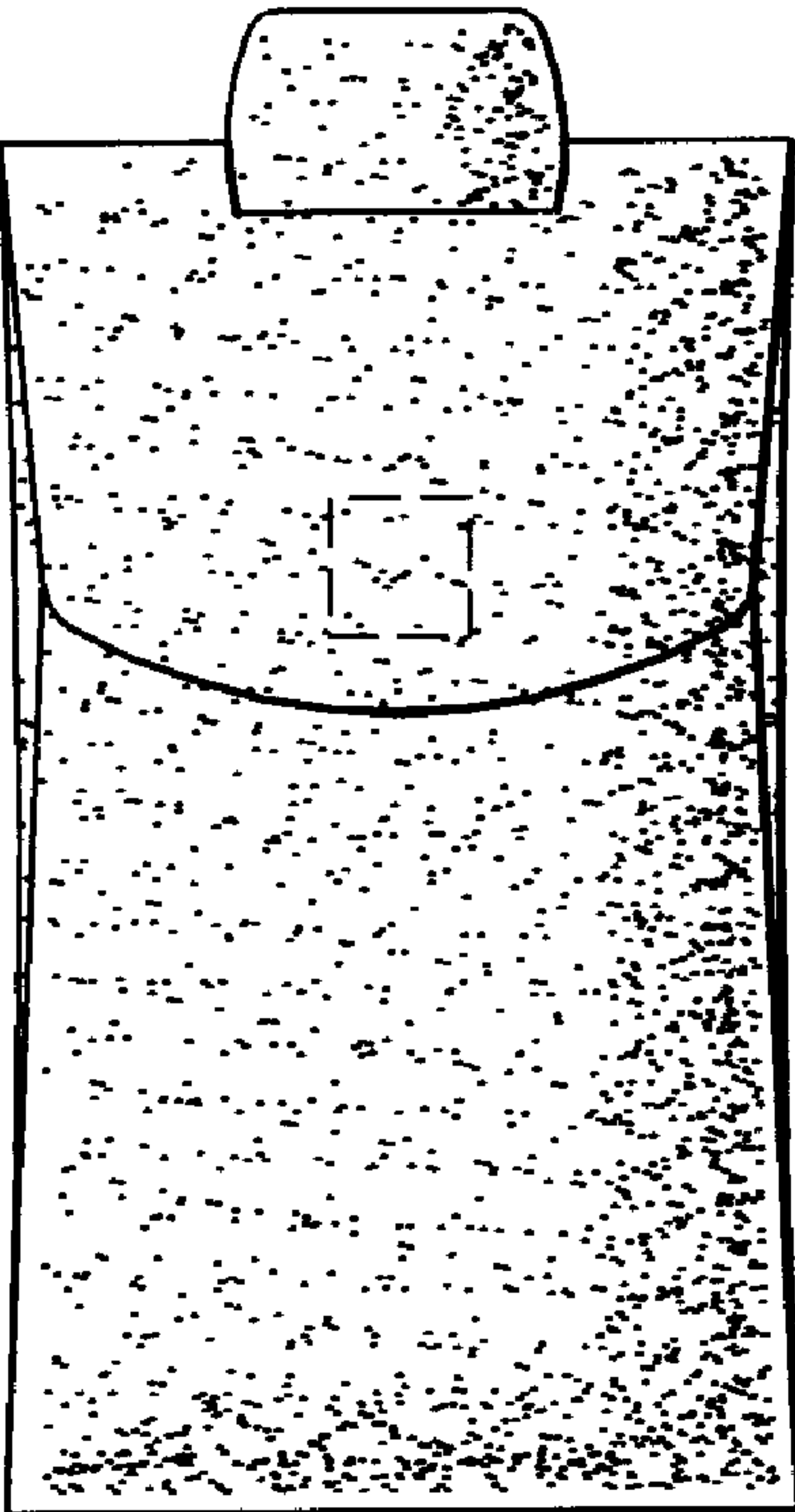


Fig. 2

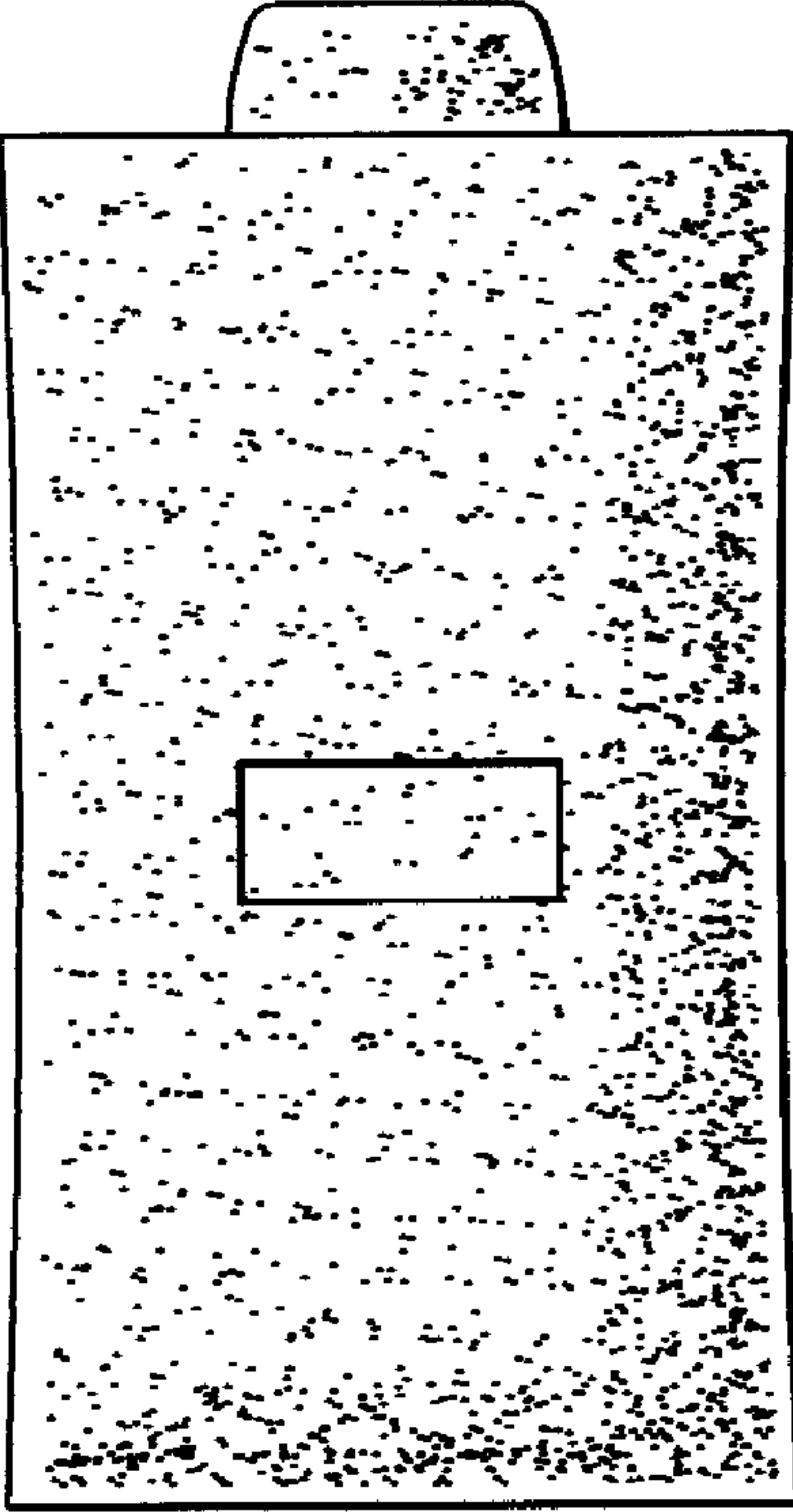


Fig. 3

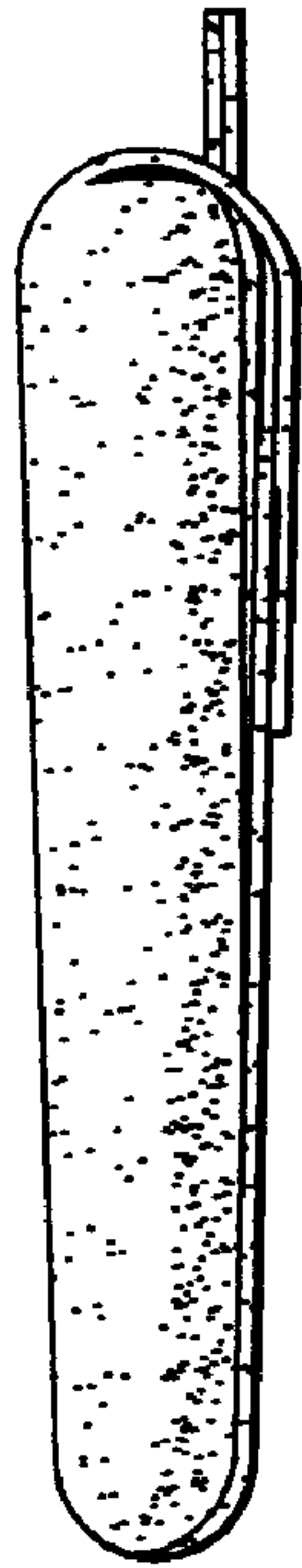


Fig. 4



Fig. 5

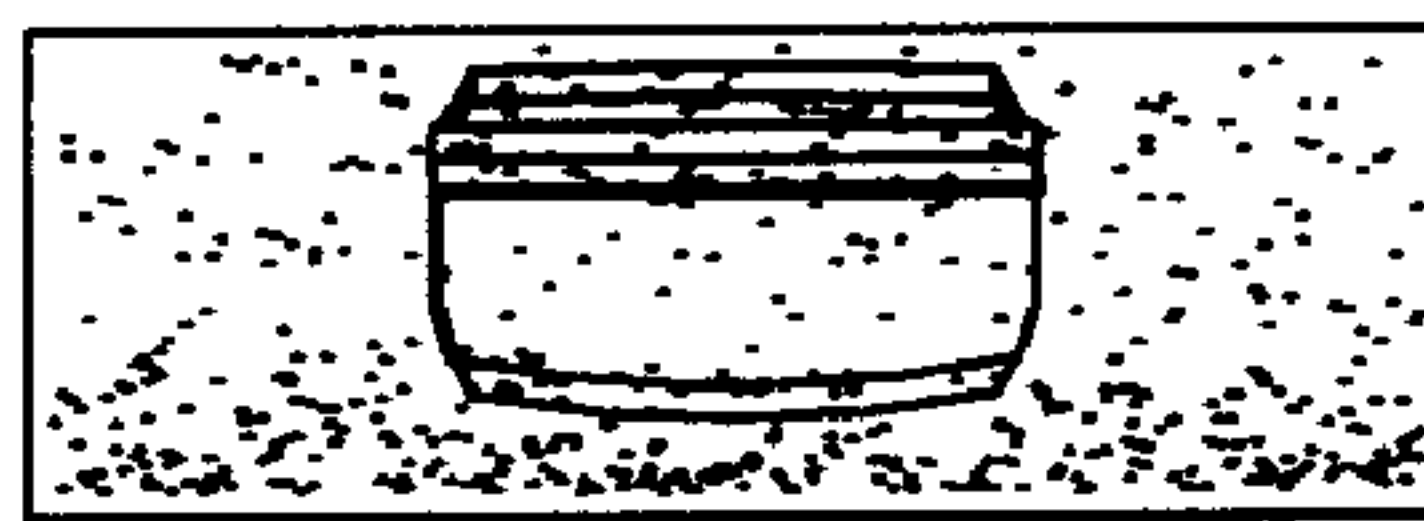


Fig. 6

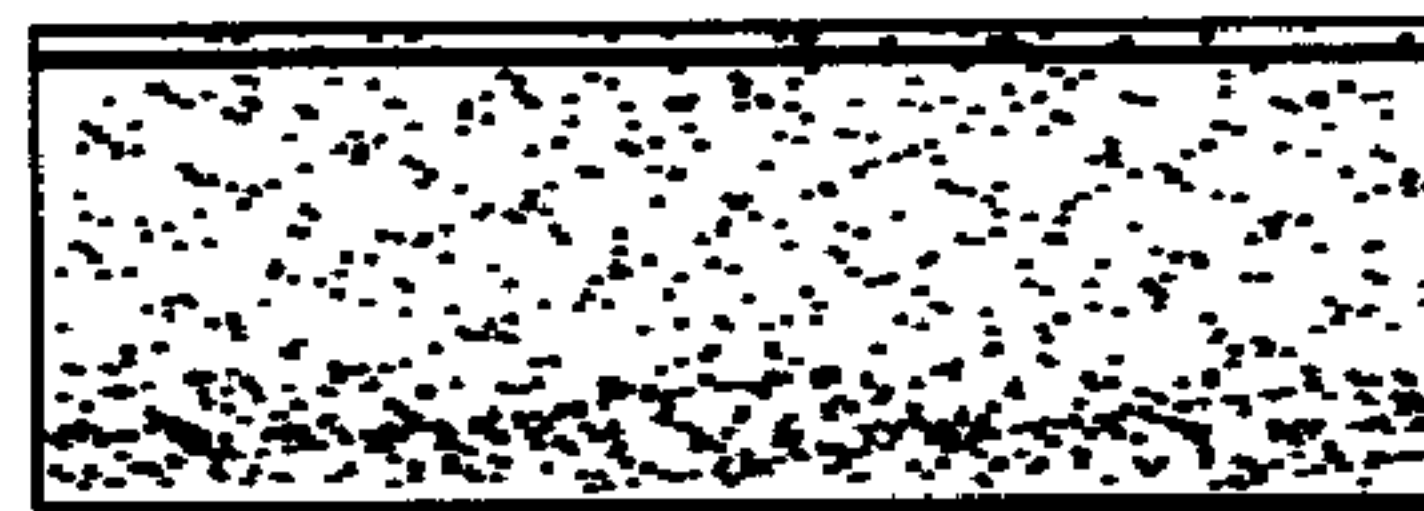


Fig. 7

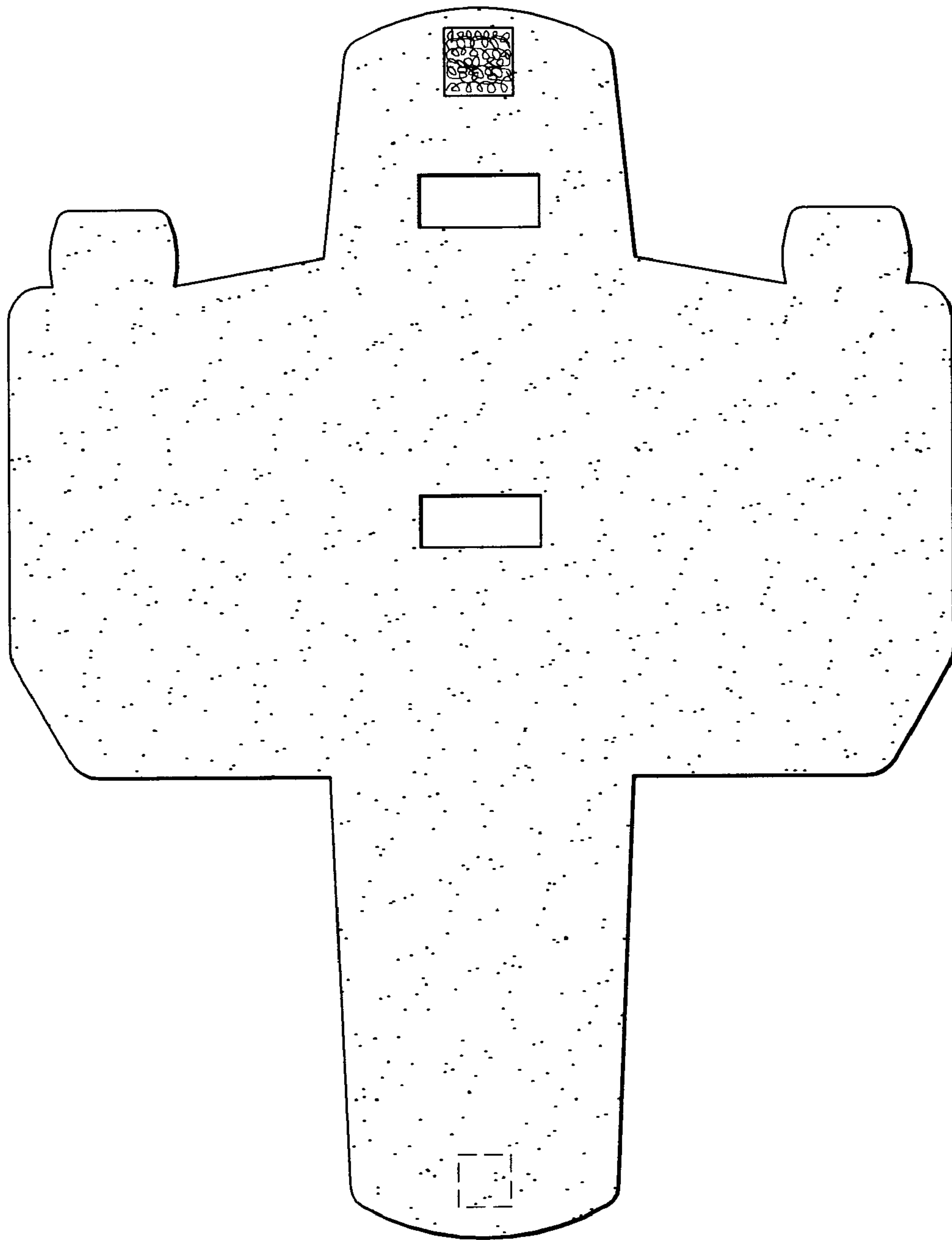


Fig. 8

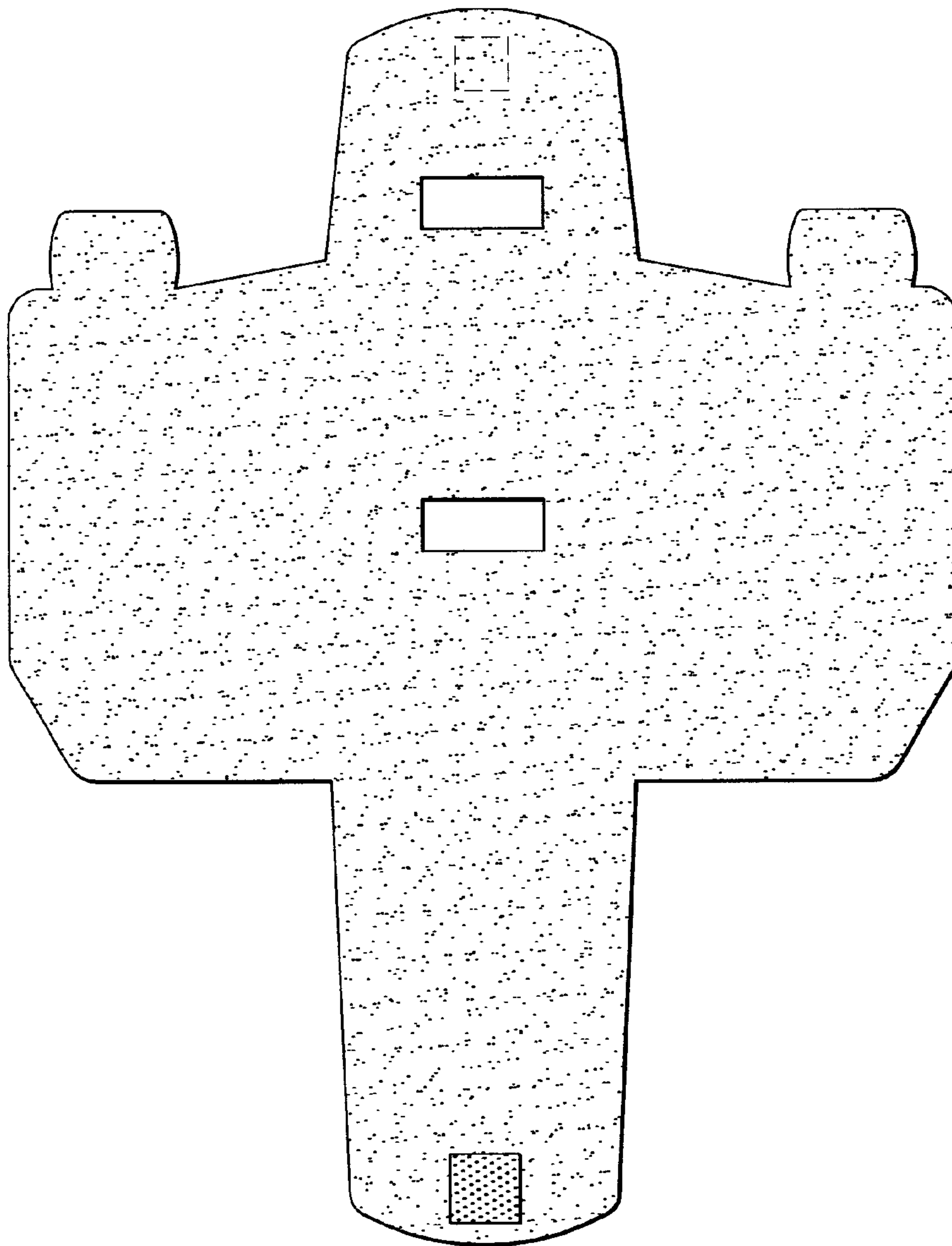


Fig. 9



Fig. 10