

US00D510812S

(12) **United States Design Patent**
Bortz

(10) **Patent No.:** **US D510,812 S**
(45) **Date of Patent:** **** Oct. 25, 2005**

- (54) **EDGER**
- (75) **Inventor:** **Gary Bortz**, North Ryde (AU)
- (73) **Assignee:** **Sellys Pty Limited**, Padstow (AU)
- (**) **Term:** **14 Years**
- (21) **Appl. No.:** **29/205,313**
- (22) **Filed:** **May 12, 2004**
- (30) **Foreign Application Priority Data**
Nov. 12, 2003 (AU) 3973/2003
- (51) **LOC (8) Cl.** **04-04**
- (52) **U.S. Cl.** **D4/137**
- (58) **Field of Search** D4/137, 138, 199;
D8/90, 94; D32/52; 15/143.1, 144.1, 104.93,
104.94, 145, 176.1, 208, 209.1, 210.1, 210.5,
229.13, 235.4, 244.1; 451/344, 490, 523,
524, 526

- 3,473,183 A * 10/1969 Burns et al. 15/144.1
- D218,202 S * 7/1970 Nicolay D4/137 X
- 3,708,821 A * 1/1973 Chase et al. 15/210.1
- 6,305,043 B1 * 10/2001 Rosnak 15/144.1 X

* cited by examiner

Primary Examiner—Alan P. Douglas
Assistant Examiner—Lavone D. Tabor
(74) *Attorney, Agent, or Firm*—Greenlee Winner and Sullivan PC

(57) **CLAIM**

The ornamental design for an edger, as shown and described.

DESCRIPTION

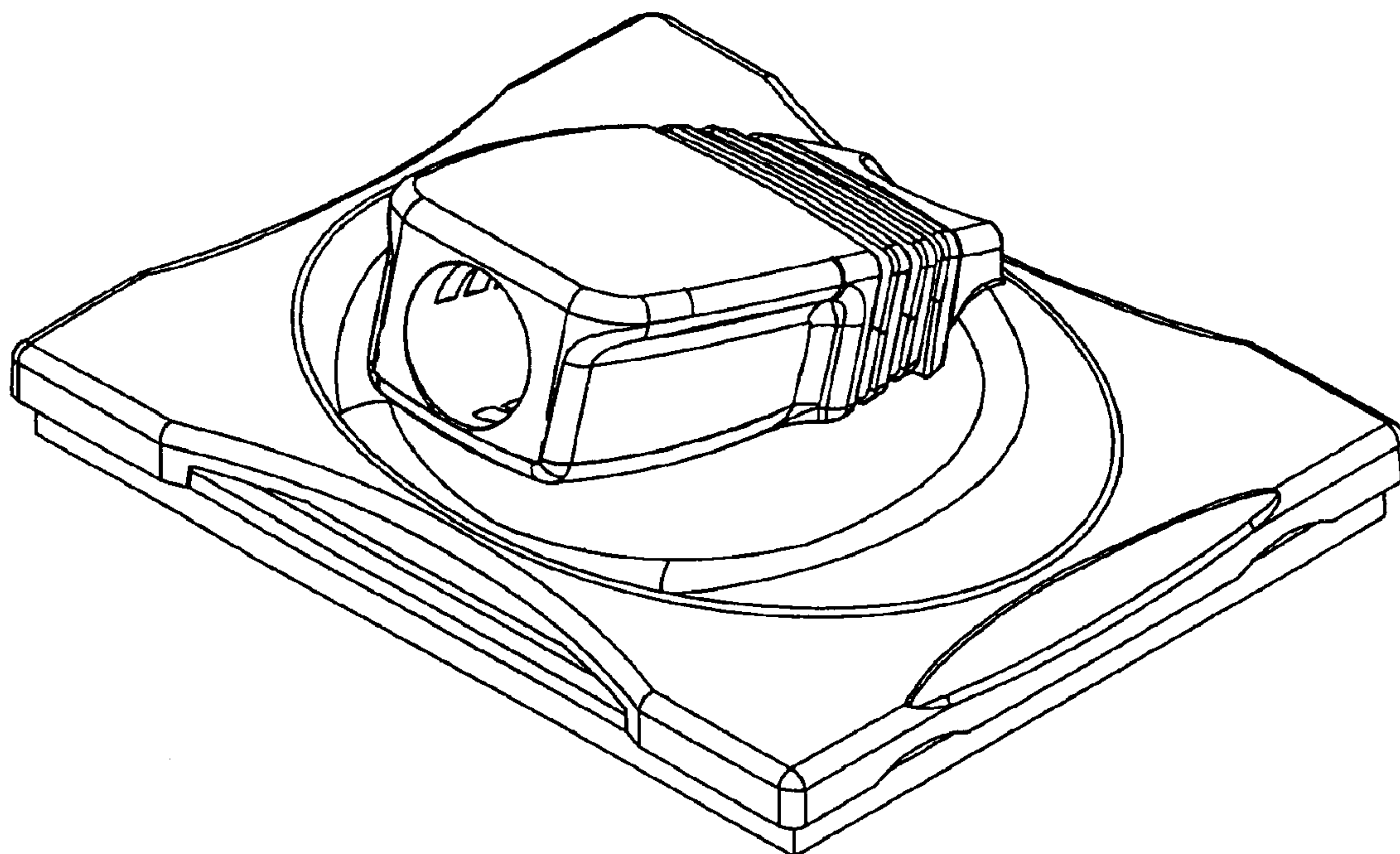
FIG. 1 is a plan view of the edger.
FIG. 2 is a side view of the edger.
FIG. 3 is a rear view of the edger; and,
FIG. 4 is a perspective view of the edger.
The side of the edger not shown is a mirror image of the side shown in FIG. 2 and the undisclosed bottom forms no part of the claimed design.

(56) **References Cited**

U.S. PATENT DOCUMENTS

- D198,563 S * 7/1964 Burns et al. D4/137

1 Claim, 4 Drawing Sheets



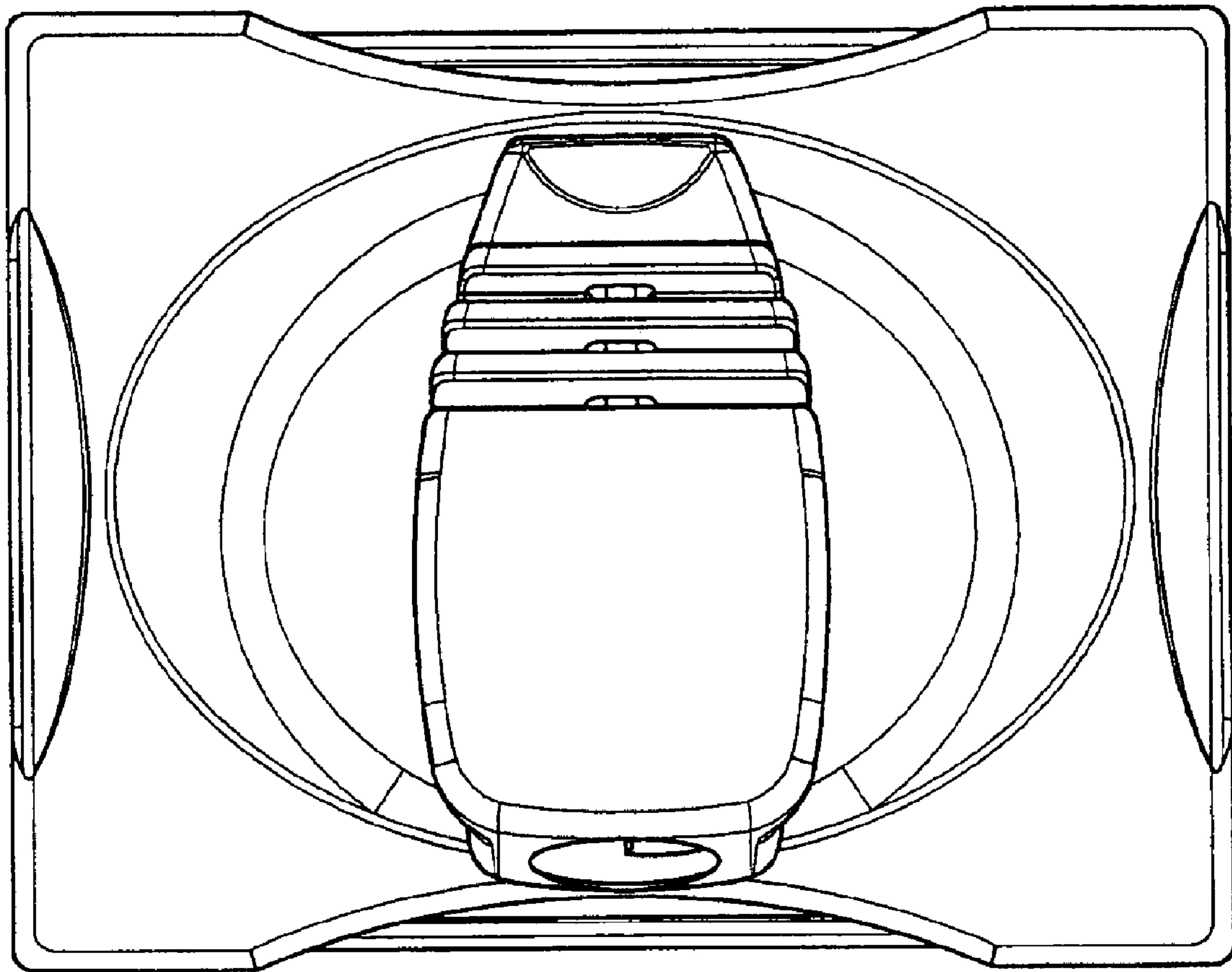


FIG. 1

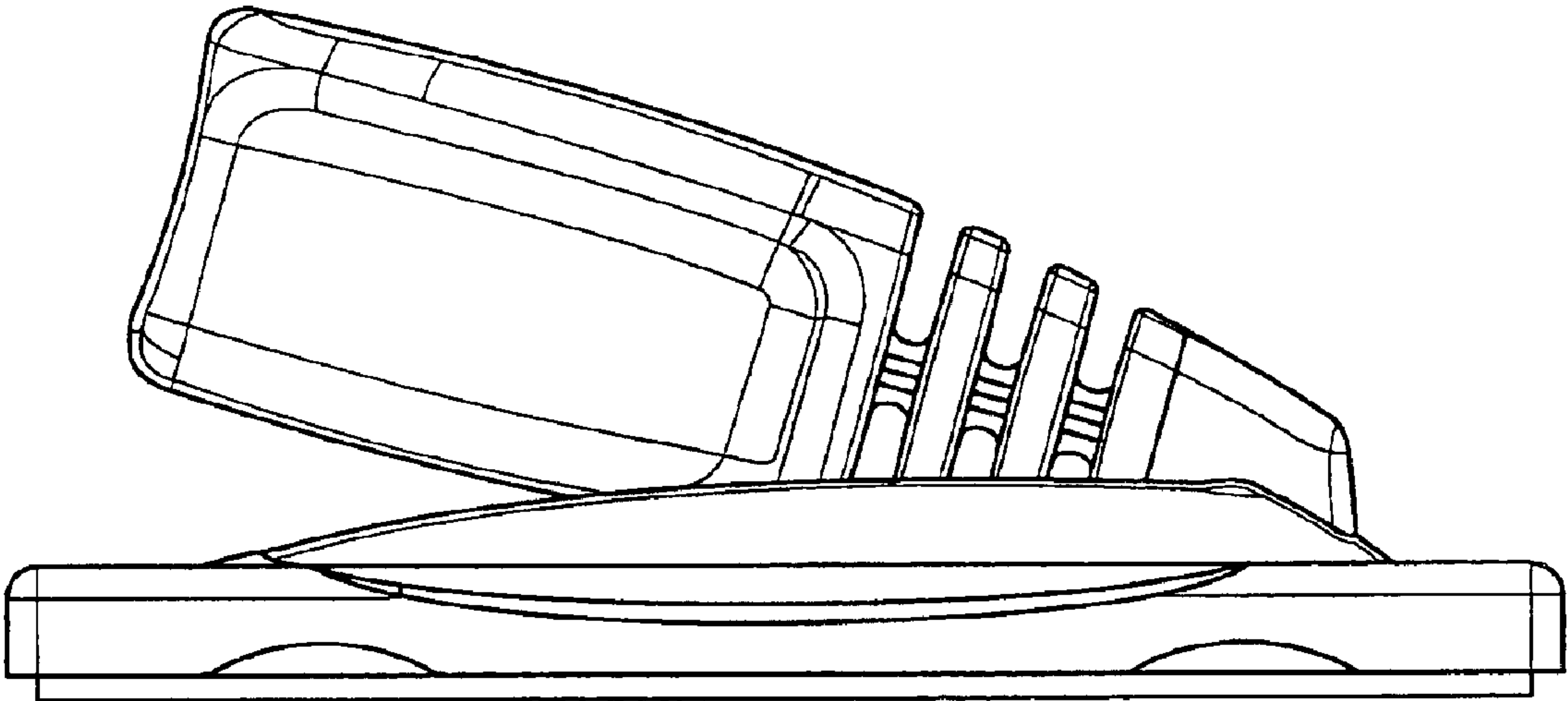


FIG. 2

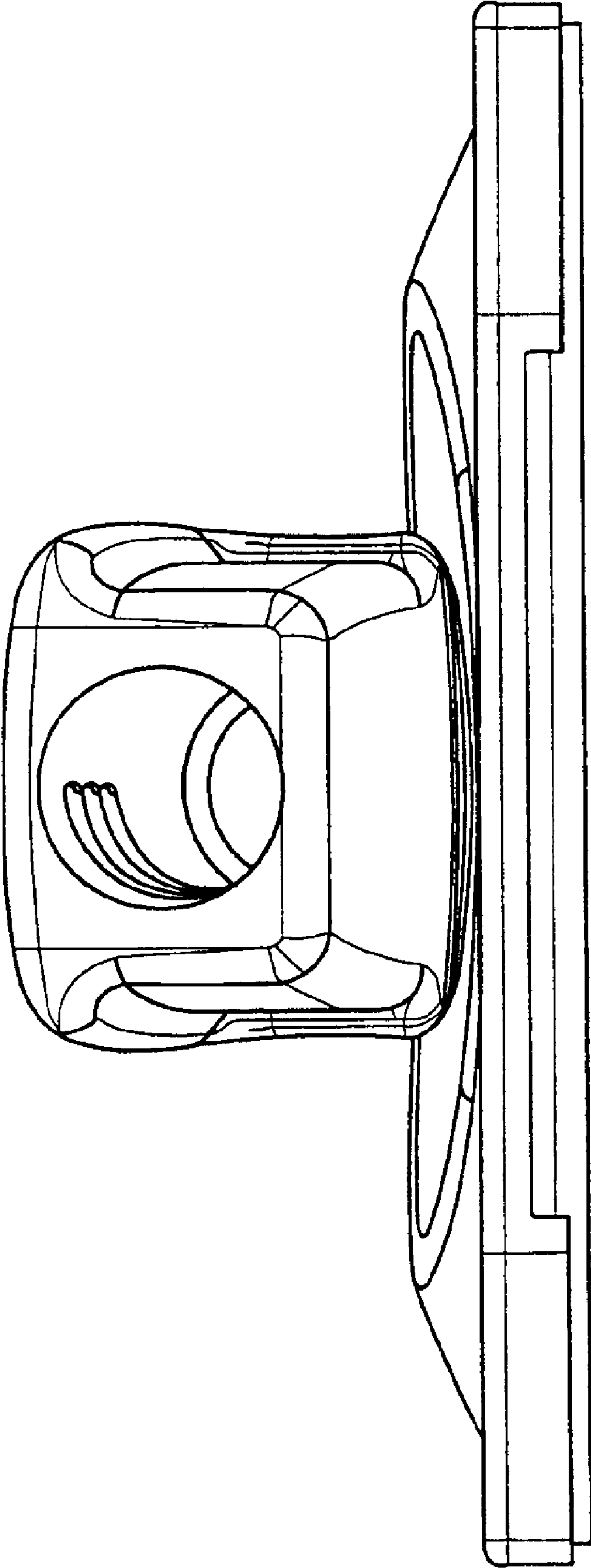


FIG. 3

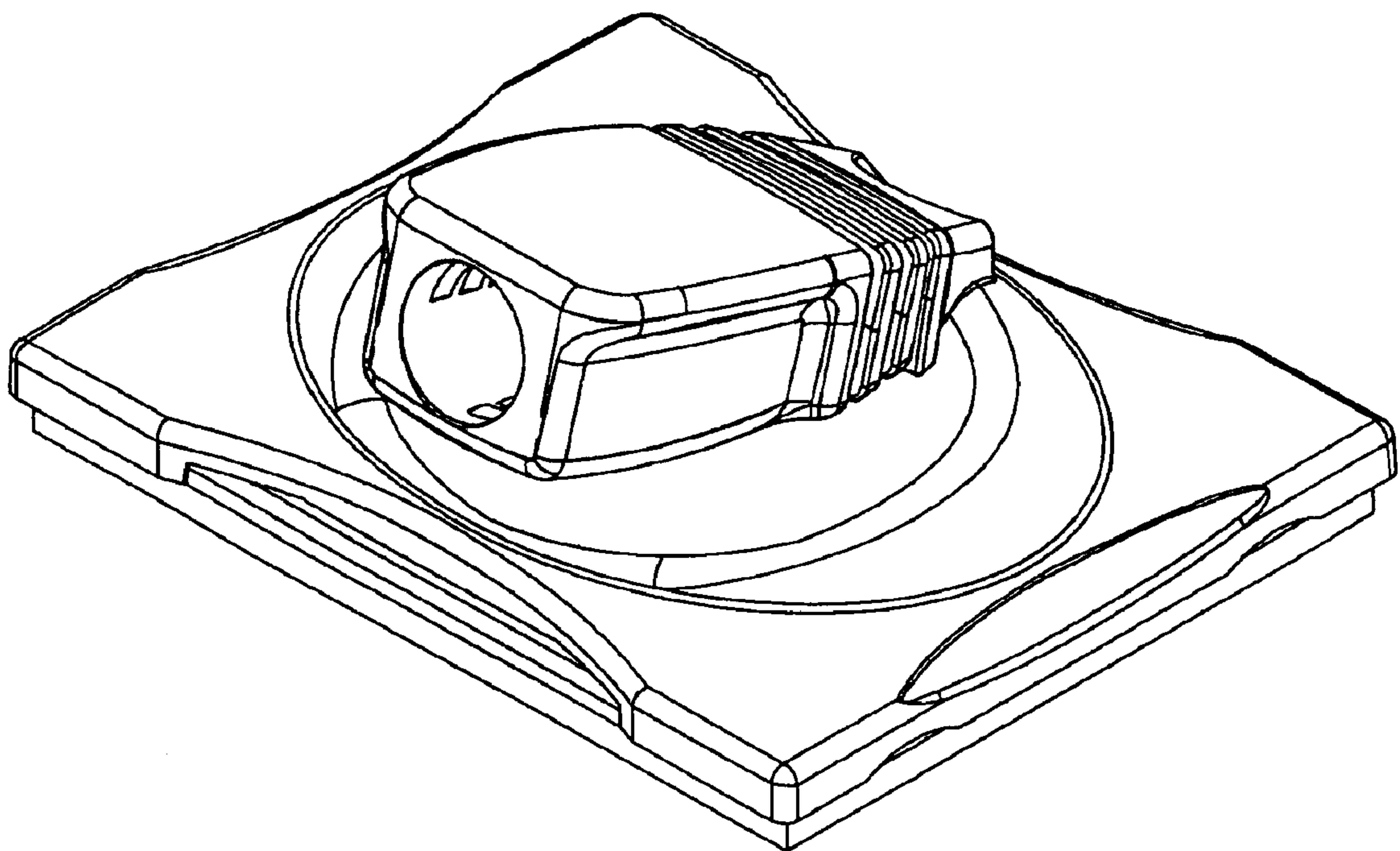


FIG. 4

UNITED STATES PATENT AND TRADEMARK OFFICE
CERTIFICATE OF CORRECTION

PATENT NO. : Des. 510,812 S
DATED : October 25, 2005
INVENTOR(S) : Bortz


Page 1 of 1

It is certified that error appears in the above-identified patent and that said Letters Patent is hereby corrected as shown below:

Title page.
Item [73], Assignee, should read -- **Selleys Pty Limited** --.

Signed and Sealed this

Twenty-fourth Day of January, 2006

A handwritten signature in black ink on a light gray dotted background. The signature reads "Jon W. Dudas" in a cursive style.

JON W. DUDAS

Director of the United States Patent and Trademark Office