



US00D510805S

(12) **United States Design Patent**  
**Wang**

(10) **Patent No.:** **US D510,805 S**

(45) **Date of Patent:** **\*\* Oct. 25, 2005**

(54) **FOURTEEN PARTITION GOLF BAG INSERT**

(74) *Attorney, Agent, or Firm*—GSS Law Group; Gregory Scott Smith

(76) **Inventor:** **Jessie Li-Kuo Wang**, 46980 Ocotillo Ct., Fremont, CA (US) 94539

(57) **CLAIM**

(\*\*) **Term:** **14 Years**

The ornamental design for a fourteen partition golf bag insert, as shown and described.

(21) **Appl. No.:** **29/113,082**

**DESCRIPTION**

(22) **Filed:** **Nov. 1, 1999**

(51) **LOC (8) Cl.** ..... **03-99**

FIG. 1 is a perspective view of a fourteen partition golf bag insert showing my new design;

(52) **U.S. Cl.** ..... **D3/320**

FIG. 2 is a top plan view, the bottom plan view being plain with no design;

(58) **Field of Search** ..... D3/320, 255, 259, D3/254; 206/315.2–315.8; 211/70.2

FIG. 3 is a top plan view of an oval bag insert;

FIG. 4 is a top plan view of an alternate embodiment of a fourteen partition golf bag insert; and,

FIG. 5 is a top plan view of the embodiment of FIG. 4 in an oval pattern.

(56) **References Cited**

**U.S. PATENT DOCUMENTS**

D382,707 S	*	8/1997	Wang	.....	D3/255
D386,303 S	*	11/1997	Wang	.....	D3/255
D389,311 S	*	1/1998	Wang	.....	D3/320
D391,082 S	*	2/1998	Kim	.....	D3/320

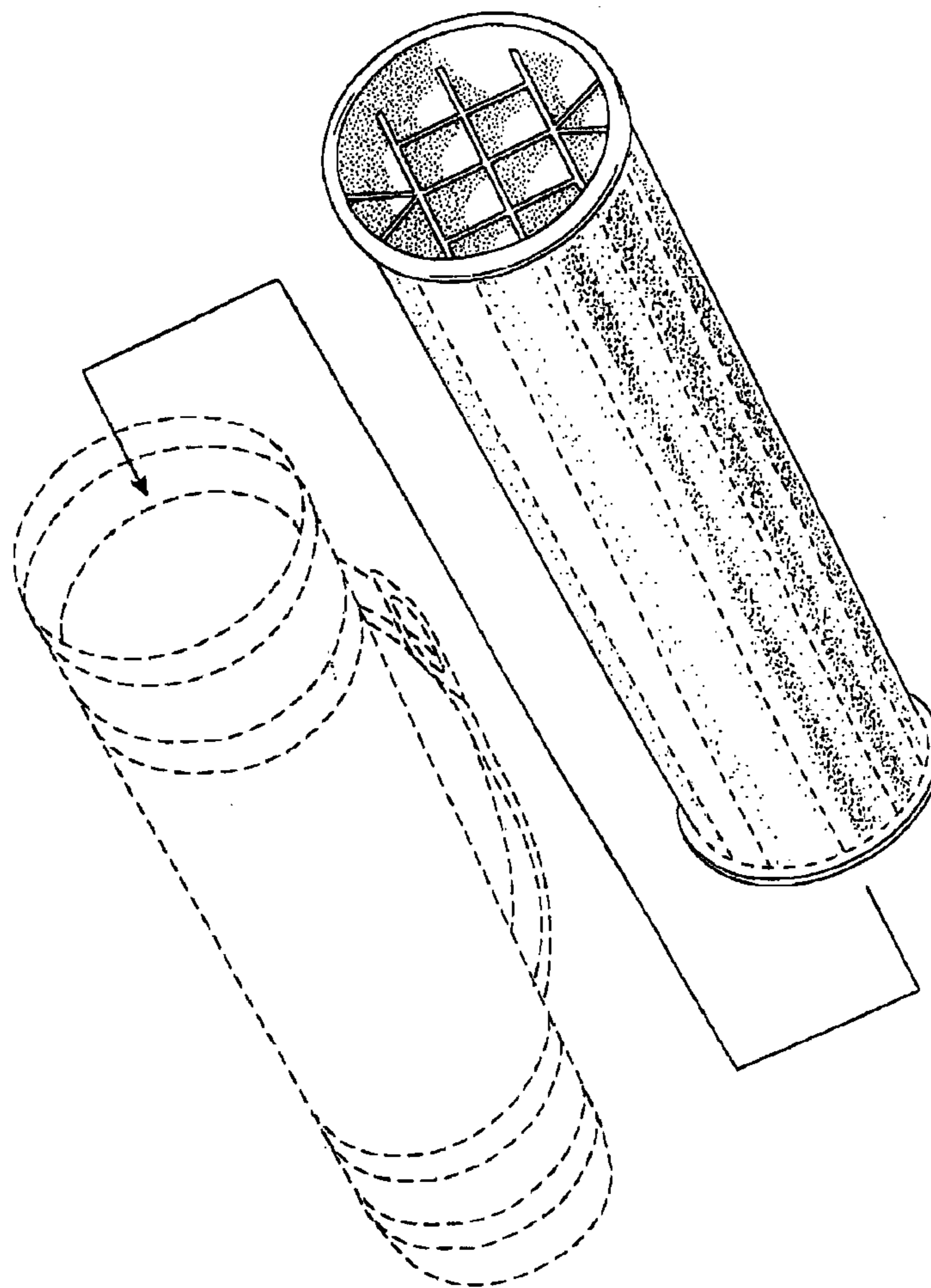
The design shown by broken lines in FIG. 2 are for illustrative purposes only and form no part of the claimed invention.

The broken line showing of environment in the drawings is for illustrative purposes only and forms no part of the claimed design.

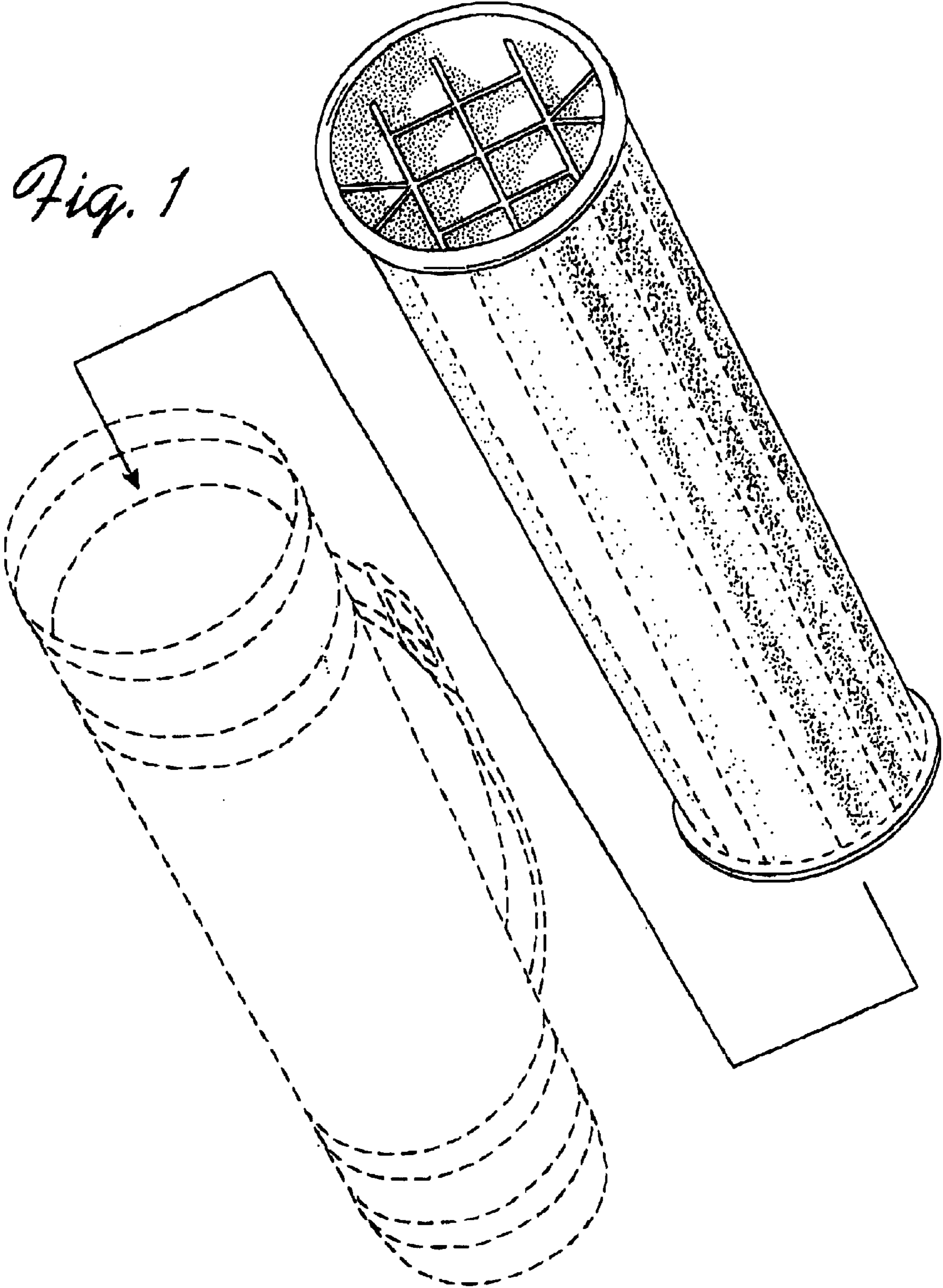
\* cited by examiner

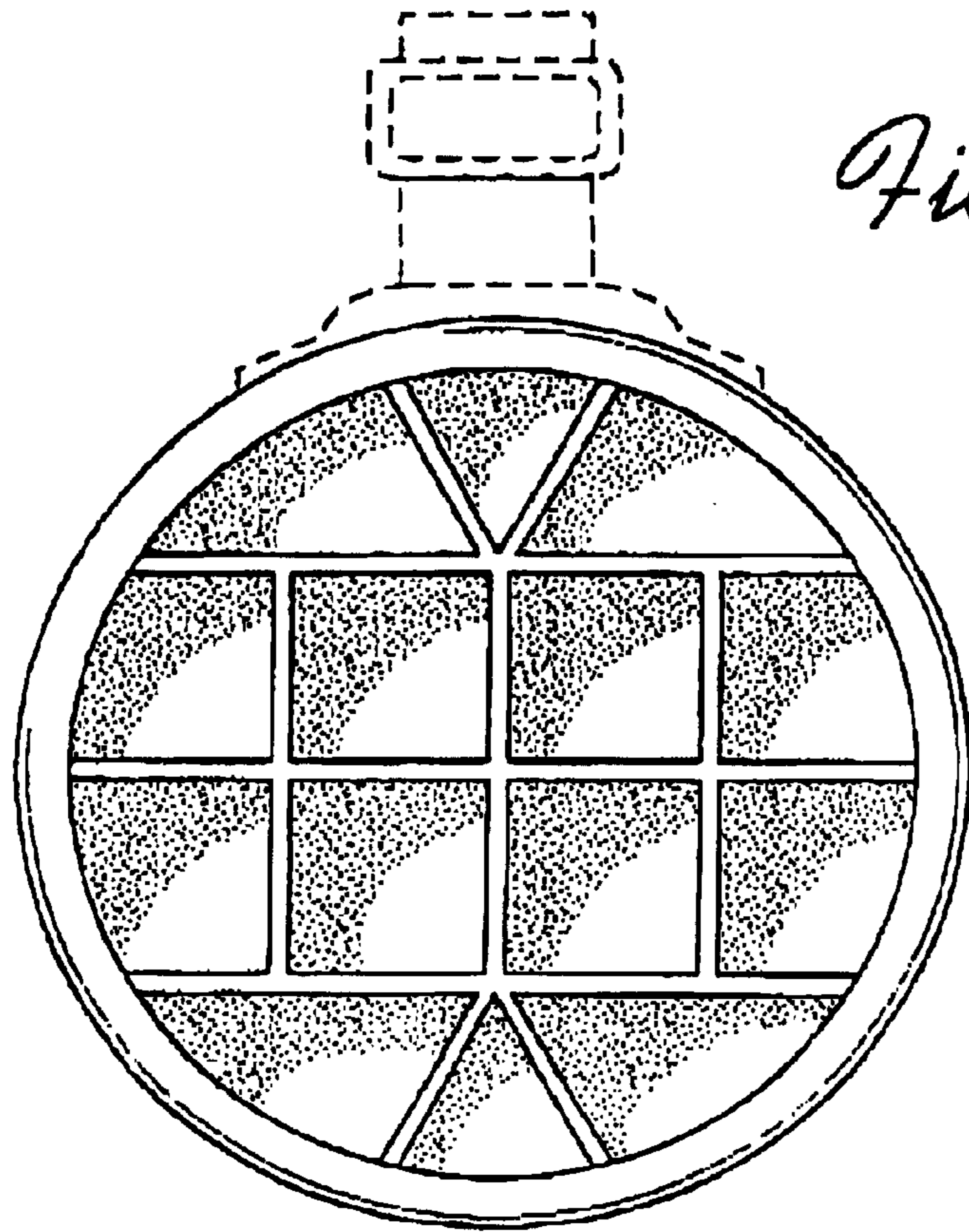
*Primary Examiner*—Catherine R. Oliver

**1 Claim, 3 Drawing Sheets**

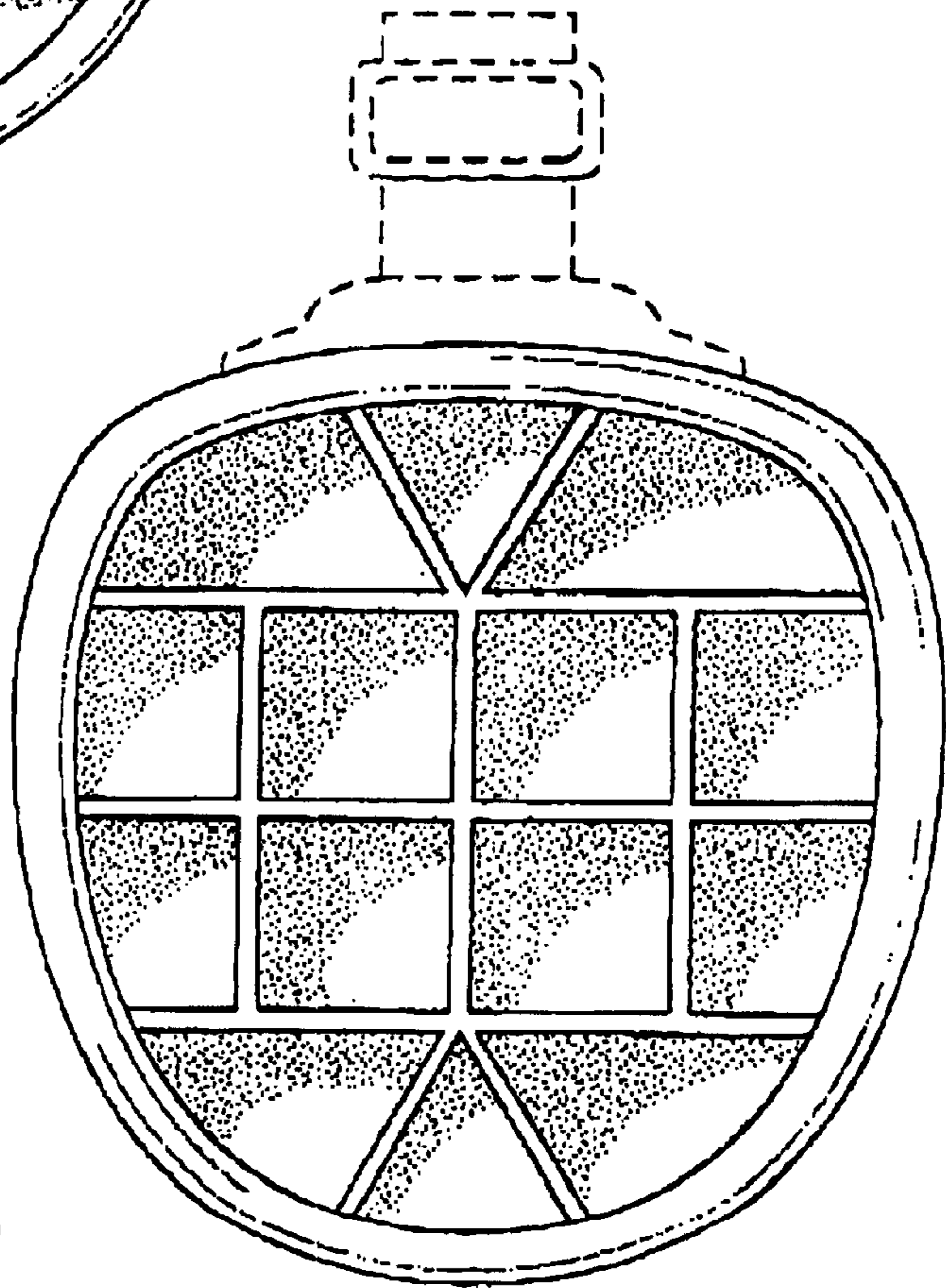


*Fig. 1*

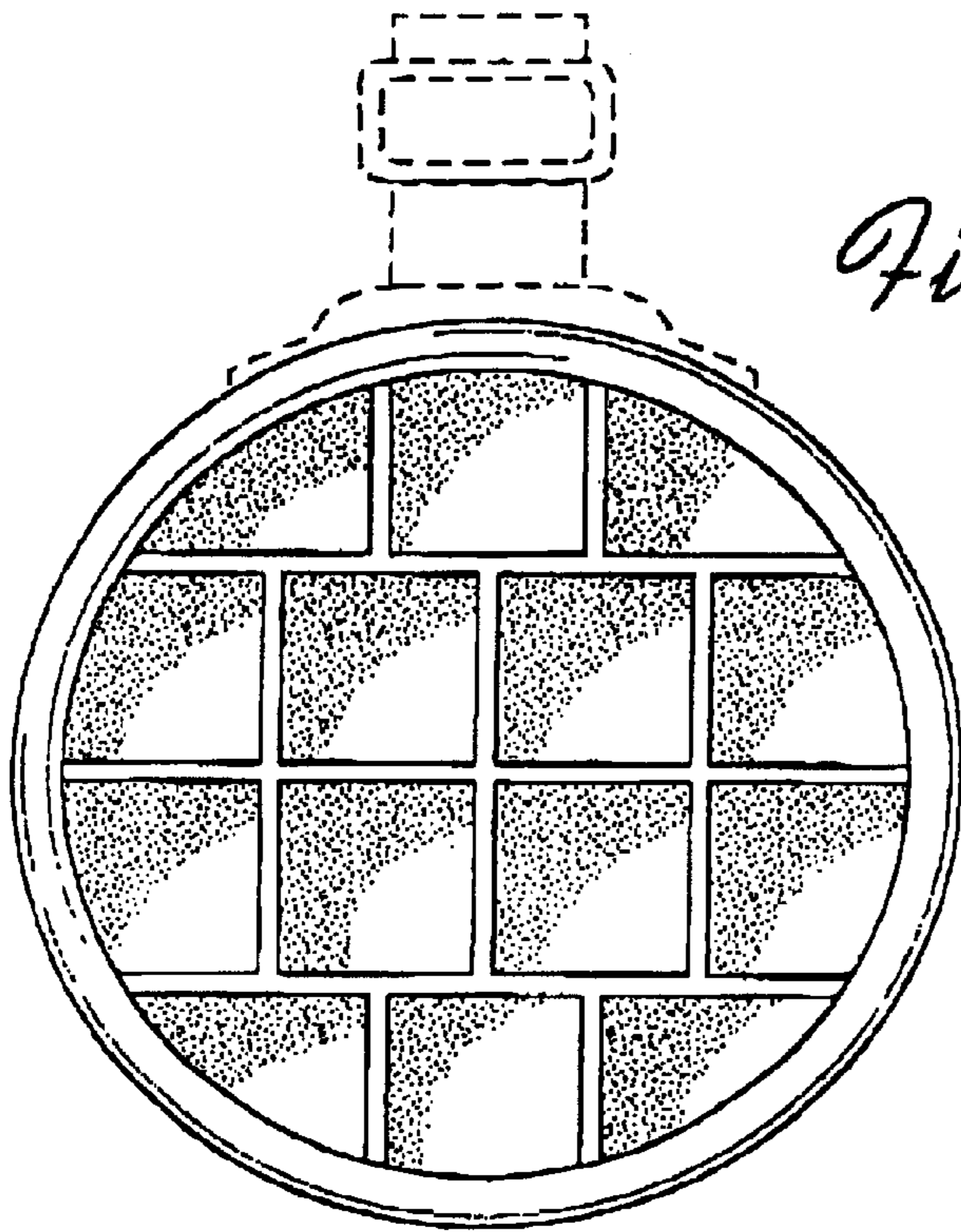




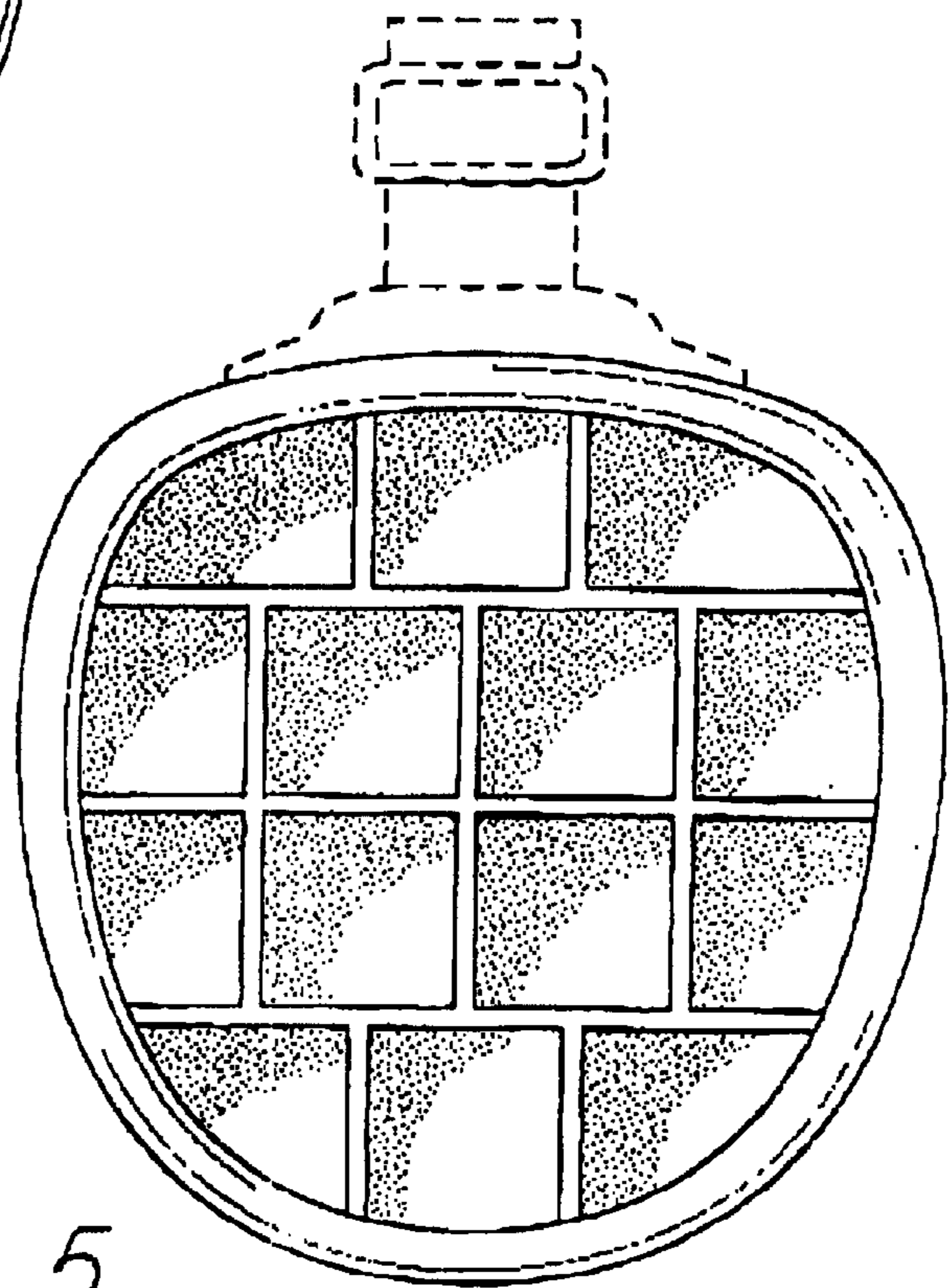
*Fig. 2*



*Fig. 3*



*Fig. 4*



*Fig. 5*