



US00D510802S

(12) **United States Design Patent**  
**Sagol**

(10) **Patent No.:** **US D510,802 S**

(45) **Date of Patent:** **\*\* Oct. 25, 2005**

(54) **STORAGE BOX**

(75) **Inventor:** **Sami Sagol, Ramat Hasharon (IL)**

(73) **Assignee:** **Keter Plastic Ltd., Herzelyia (IL)**

(\*\*) **Term:** **14 Years**

(21) **Appl. No.:** **29/192,436**

(22) **Filed:** **Oct. 27, 2003**

(51) **LOC (8) Cl. .... 03-01**

(52) **U.S. Cl. .... D3/273; D3/294**

(58) **Field of Search .... D3/272, 273, 276,**  
**D3/281, 282, 294, 295, 905, 279; D9/423,**  
**424; D6/432; 206/315.1, 372, 373; D25/16;**  
**312/203, 204, 226; 220/835**

(56) **References Cited**

**U.S. PATENT DOCUMENTS**

D319,016 S	*	8/1991	Kahl	.....	D9/424
D328,425 S	*	8/1992	Brightbill	.....	D9/425
D355,118 S	*	2/1995	Dickinson et al.	.....	D9/425
D361,511 S	*	8/1995	Dickinson et al.	.....	D9/425

5,507,385 A	*	4/1996	Koloski et al.	.....	206/372
D376,259 S	*	12/1996	Dickinson et al.	.....	D3/273
D382,112 S	*	8/1997	Egan	.....	D3/273
D408,631 S	*	4/1999	Dickinson et al.	.....	D3/302
D444,626 S	*	7/2001	Anderson et al.	.....	D3/273

\* cited by examiner

*Primary Examiner*—Philip S. Hyder

(74) *Attorney, Agent, or Firm*—Nath & Associates PLLC;  
Gregory B. Kang; Derek Richmond

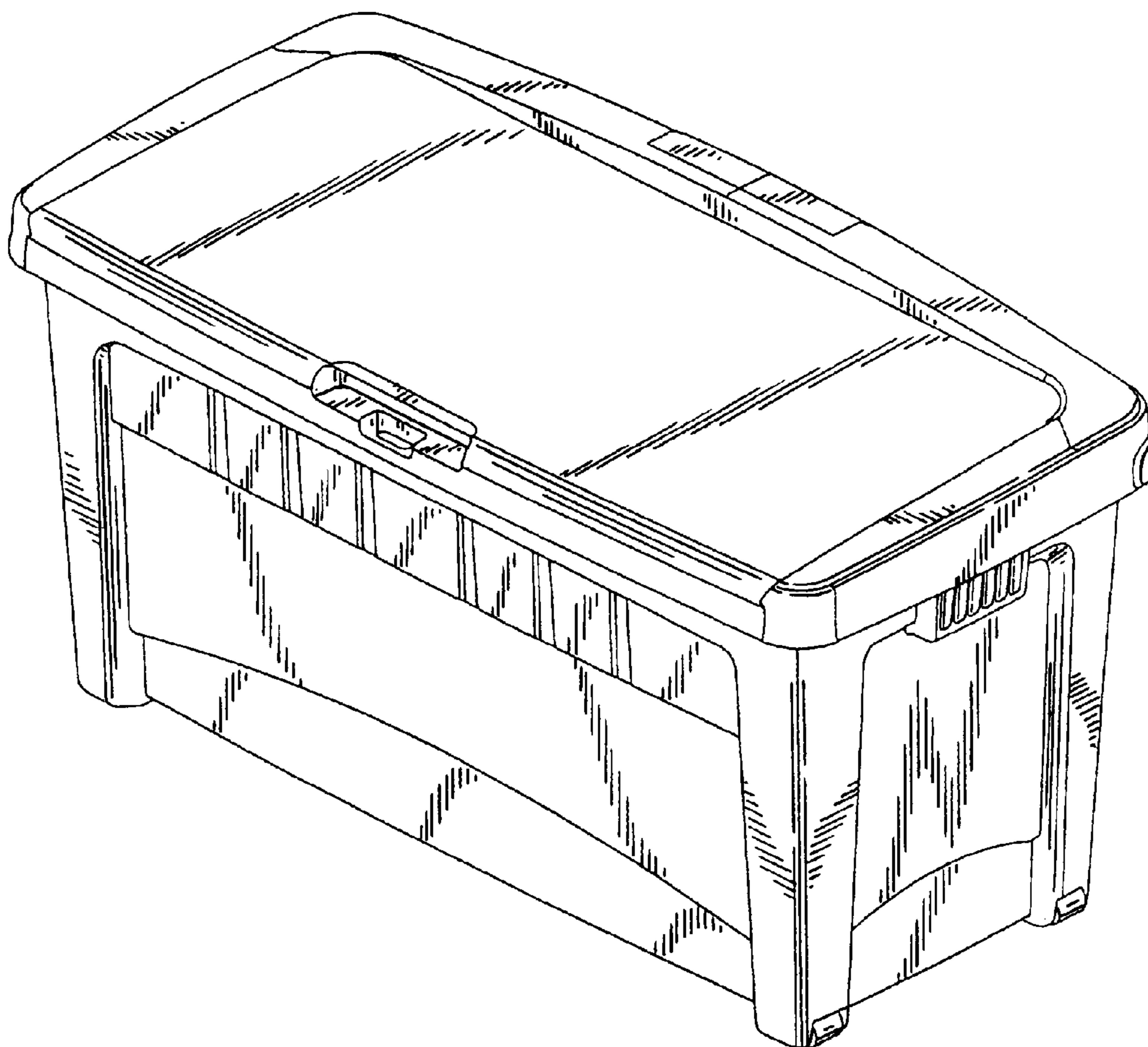
(57) **CLAIM**

The ornamental design for a storage box, as shown and described.

**DESCRIPTION**

FIG. 1 is a perspective view of a storage box;  
FIG. 2 is a rear view of the storage box;  
FIG. 3 is a front view of the storage box;  
FIG. 4 is a left side view of the storage box;  
FIG. 5 is a right side view of the storage box;  
FIG. 6 is a top view of the storage box; and,  
FIG. 7 is a bottom view of the storage box.

**1 Claim, 4 Drawing Sheets**



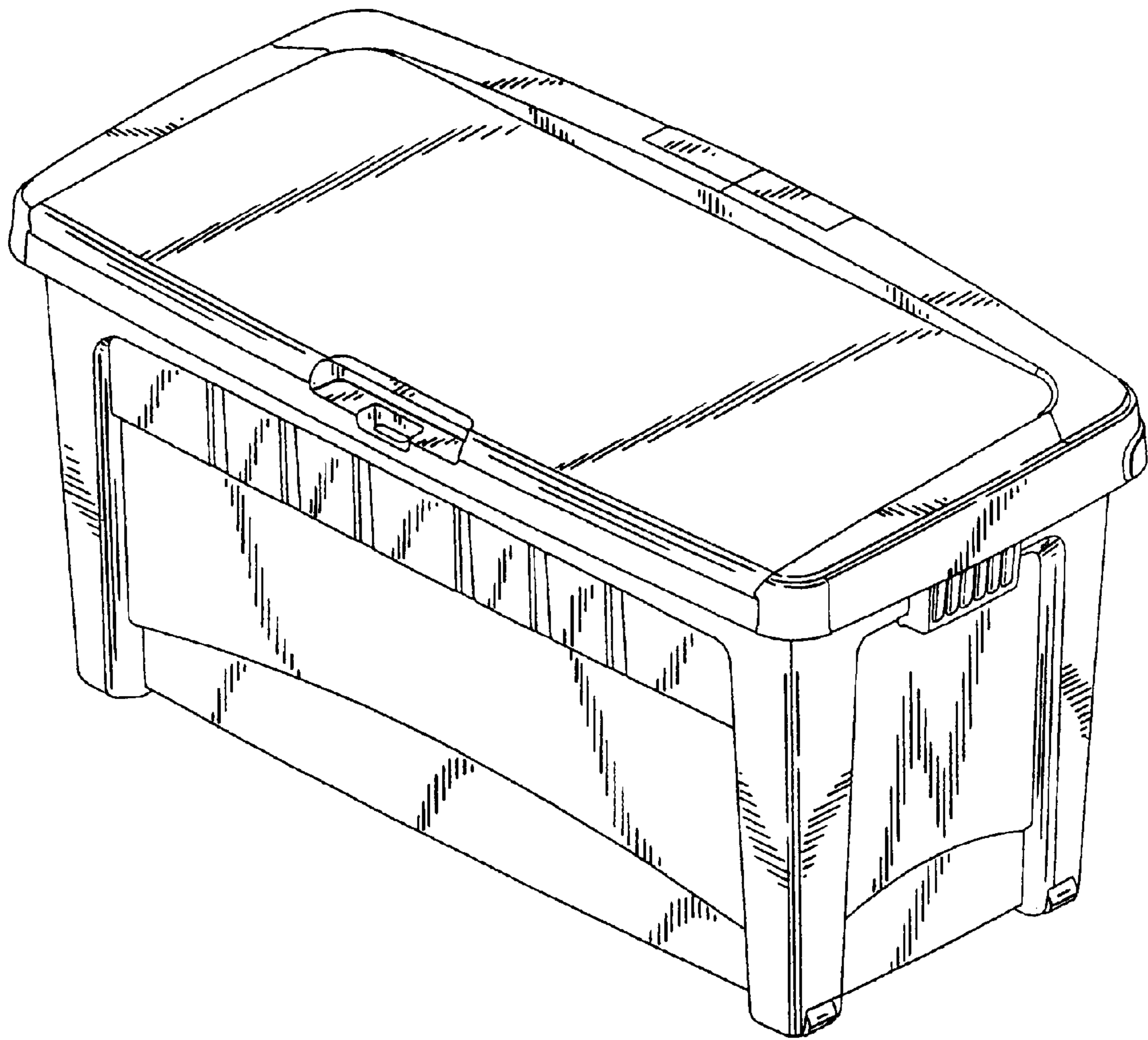


FIG. 1

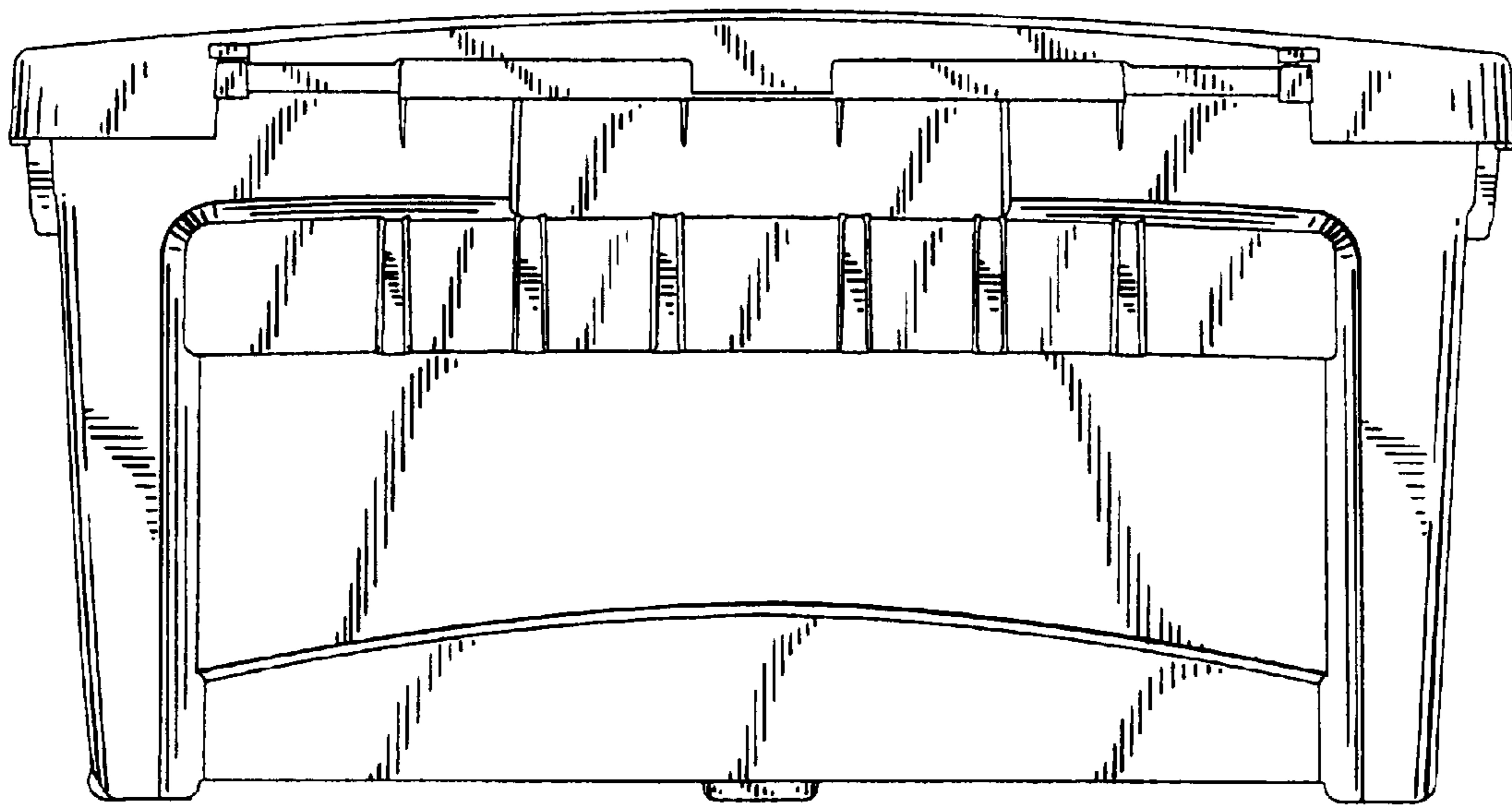


FIG. 2

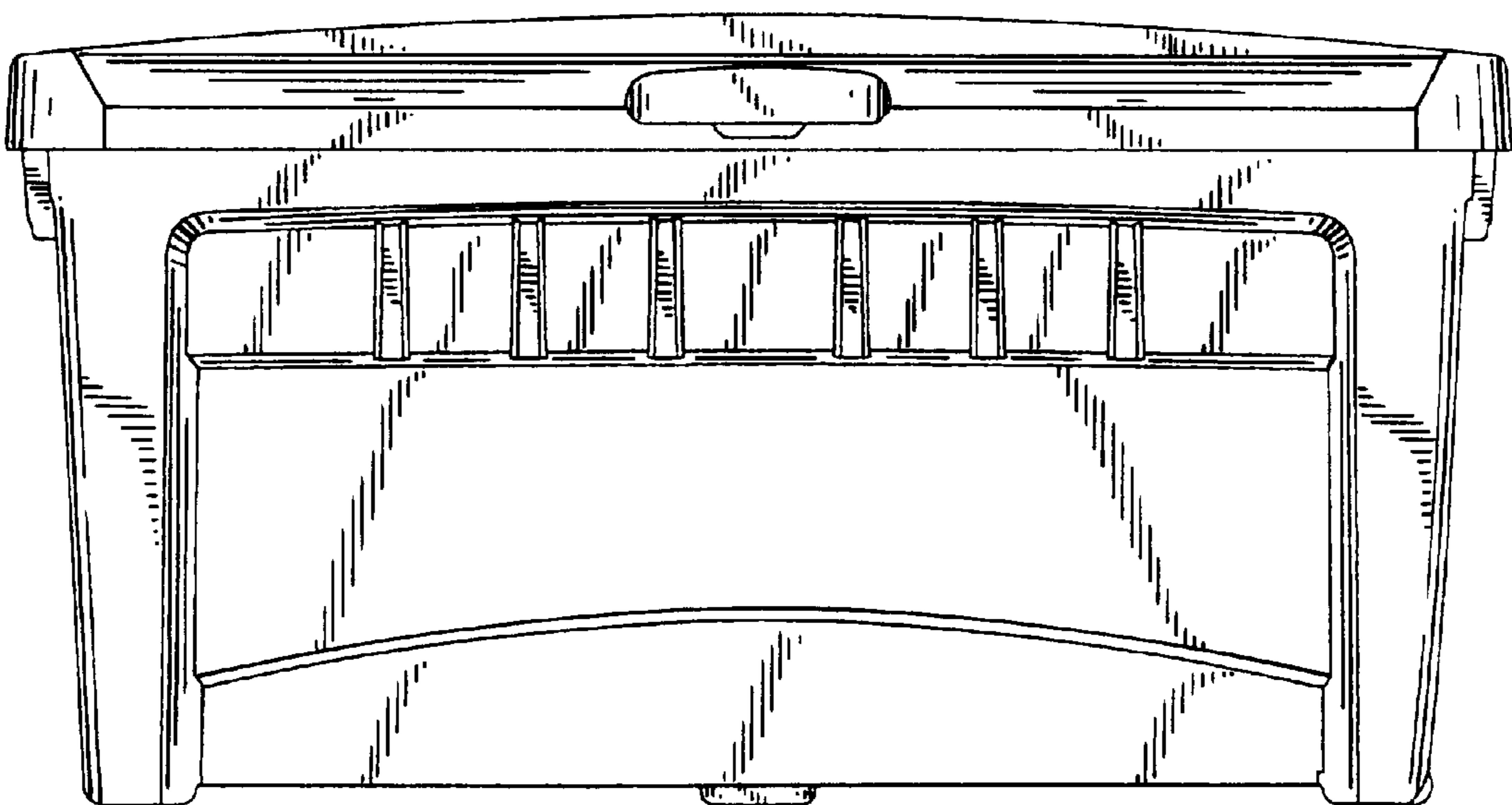


FIG. 3

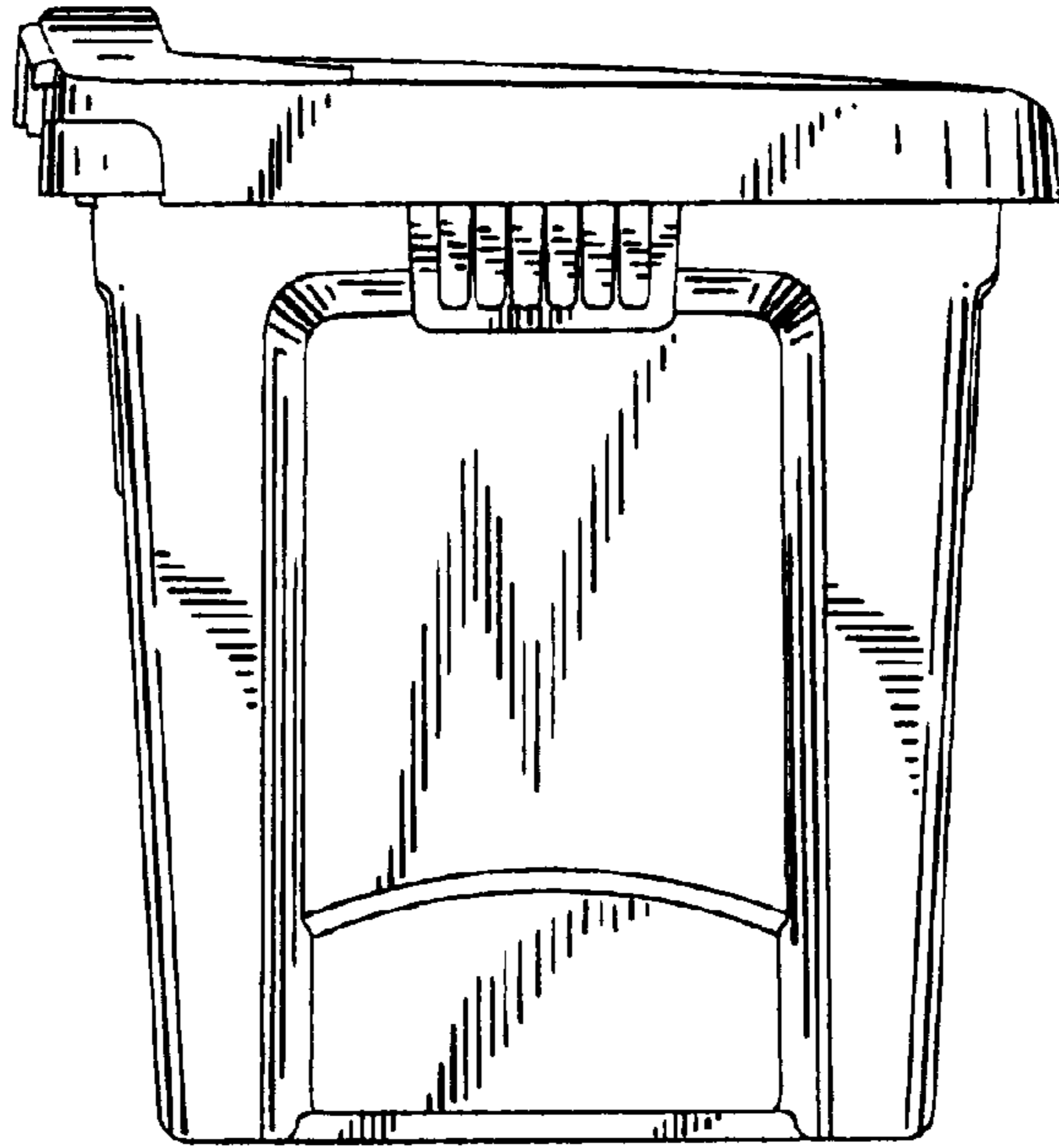


FIG. 4

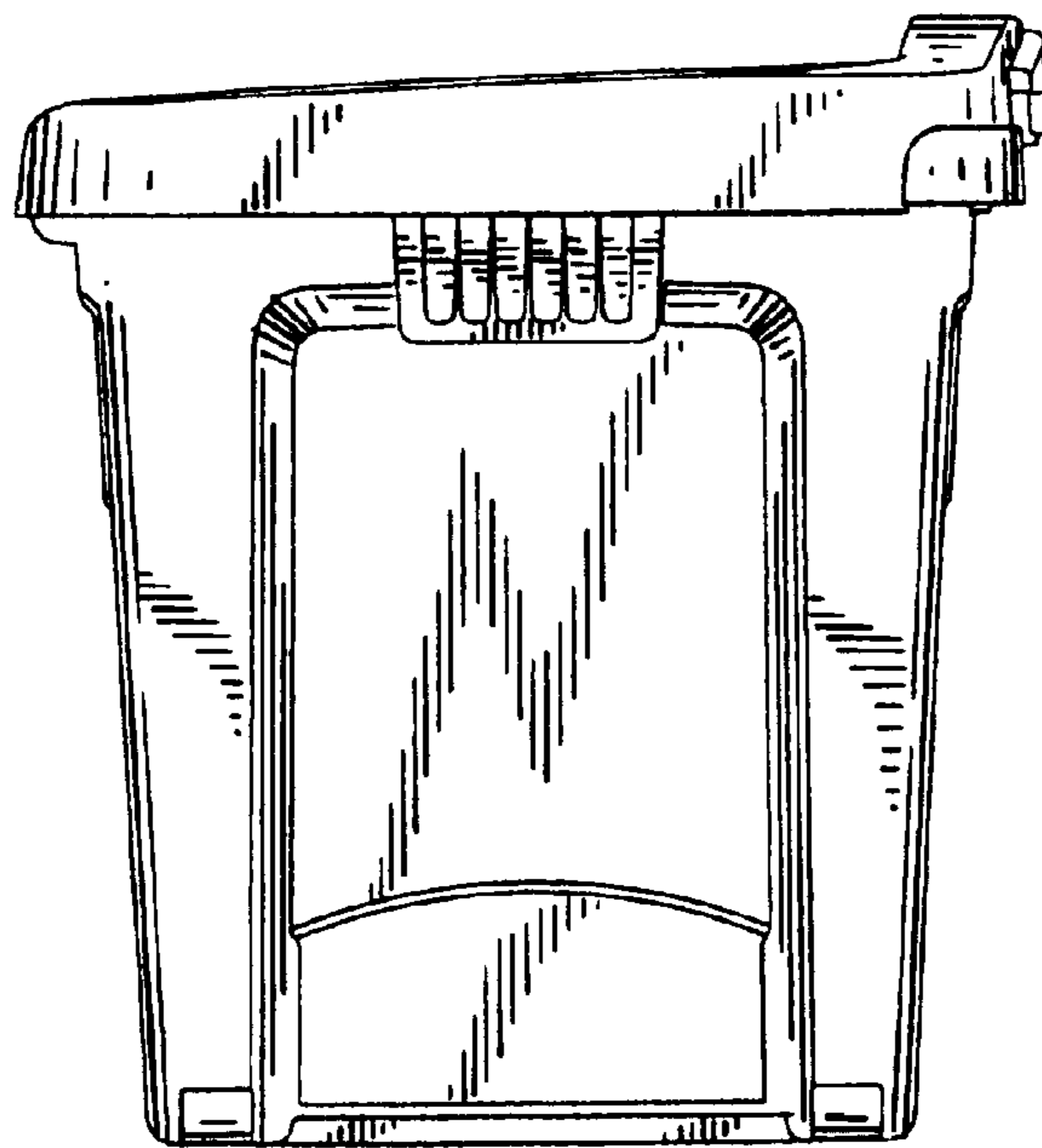


FIG. 5

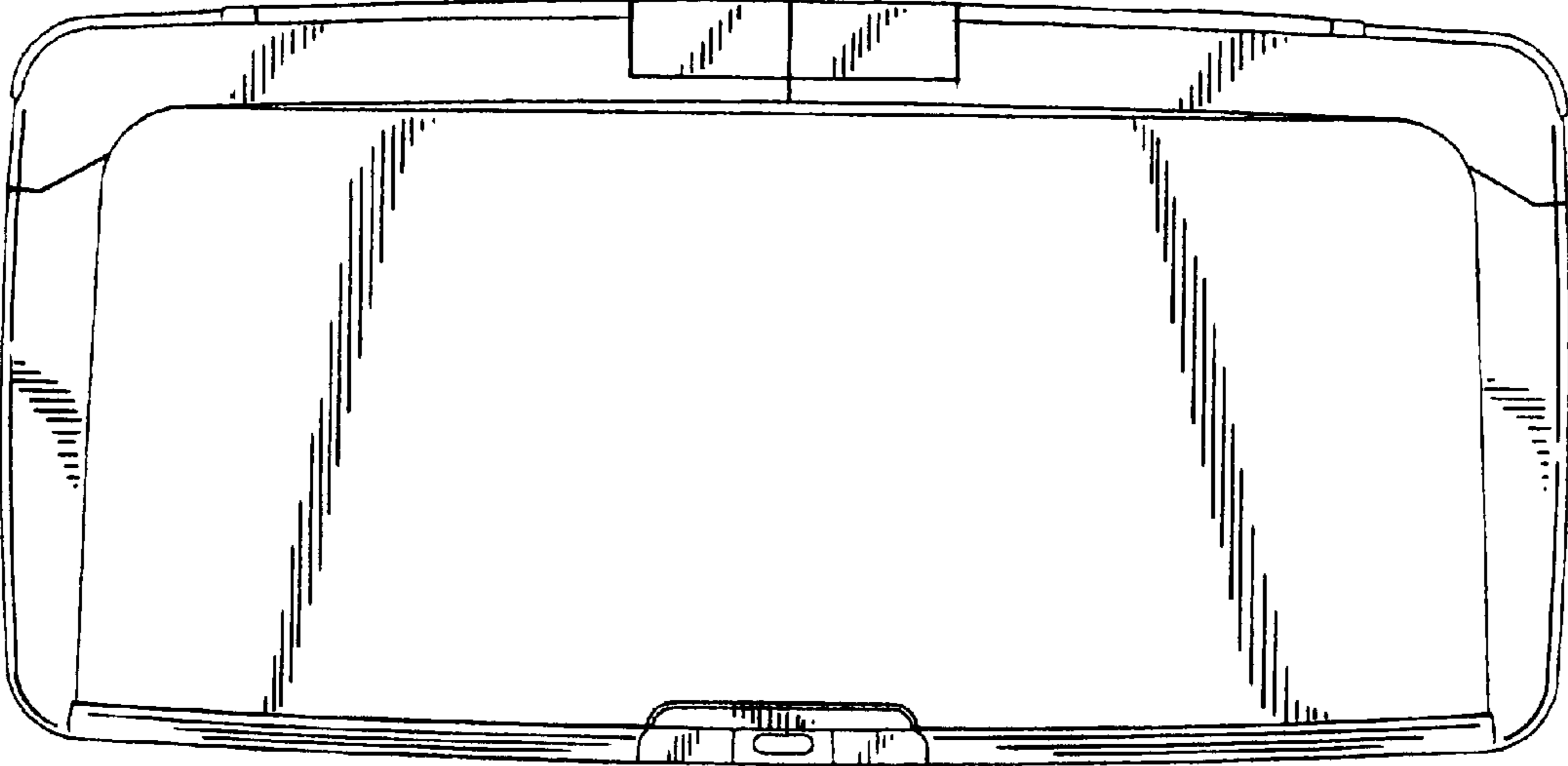


FIG. 6

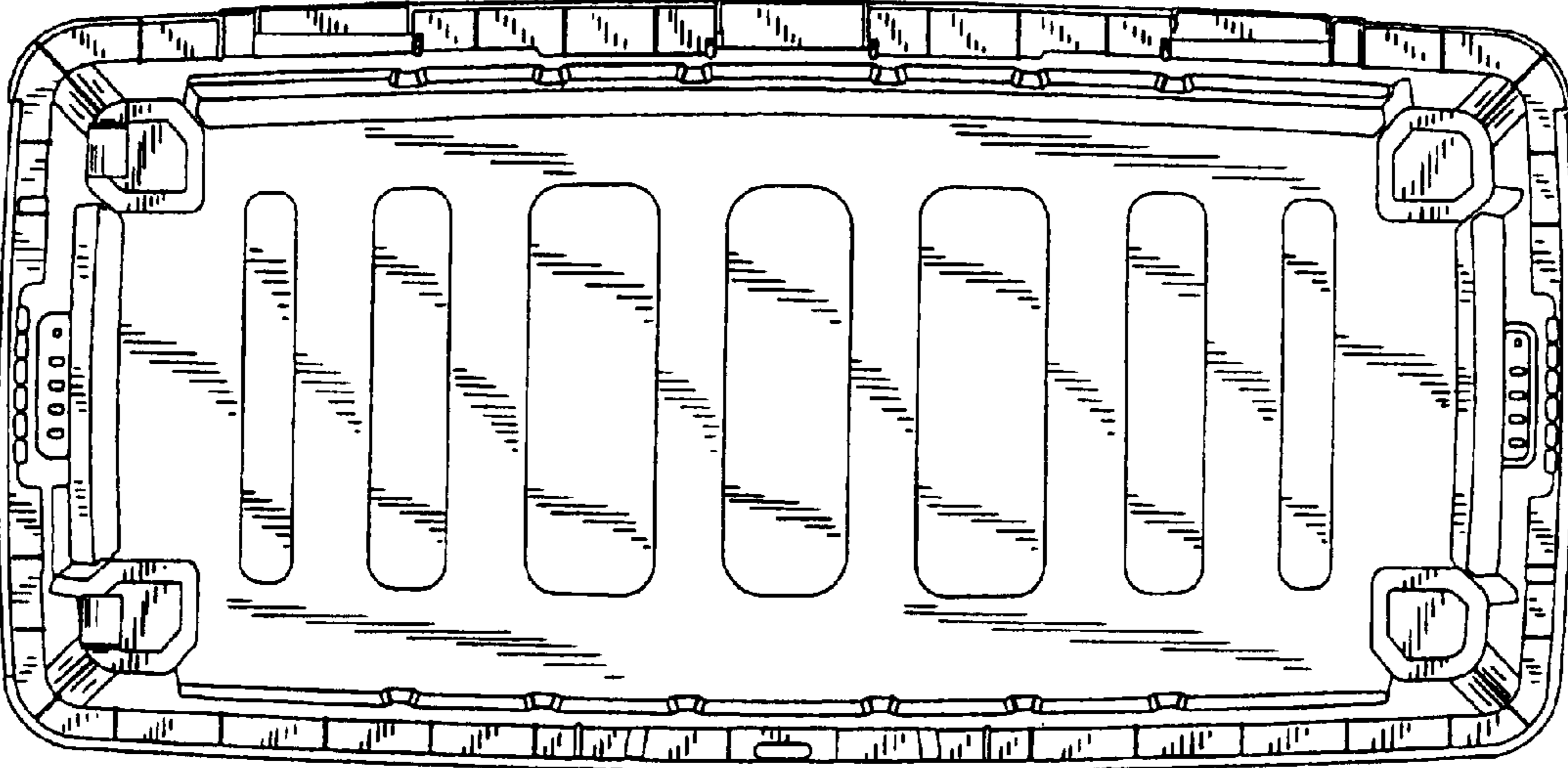


FIG. 7