



US00D510799S

(12) **United States Design Patent**
Cassegrain

(10) **Patent No.:** **US D510,799 S**

(45) **Date of Patent:** **** Oct. 25, 2005**

(54) **HANDBAG**

(75) **Inventor:** **Philippe Cassegrain, Paris (FR)**

(73) **Assignee:** **S.A.S. Jean Cassegrain, Paris (FR)**

(**) **Term:** **14 Years**

(21) **Appl. No.:** **29/198,469**

(22) **Filed:** **Jan. 29, 2004**

(51) **LOC (8) Cl. 03-01**

(52) **U.S. Cl. D3/233**

(58) **Field of Search** D3/232, 233, 241,
D3/243, 245, 246, 244, 234, 238, 301,
303; 150/114, 117, 103, 104, 106, 111,
127, 128, 130, 900; 190/103, 109, 113,
115, 900, 903, 1, 102, 104, 105, 106, 107,
110, 902; 383/6, 31, 37, 38, 40, 66, 78,
2, 4, 120

(56) **References Cited**

U.S. PATENT DOCUMENTS

1,553,697 A * 9/1925 Lederer 383/40
D155,177 S * 9/1949 Nathan D3/243
D268,304 S * 3/1983 Schimmel D3/243
4,856,570 A * 8/1989 Rushing et al. 150/103
D447,866 S * 9/2001 Achache D3/233
D452,073 S 12/2001 Cassegrain
D456,991 S * 5/2002 Achache D3/233

OTHER PUBLICATIONS

Longchamp—Paris, Les Pliages, Spring 2002, Catalogue,
Paris, France.

* cited by examiner

Primary Examiner—Louis S. Zarfes

Assistant Examiner—Monica A. Weingart

(74) *Attorney, Agent, or Firm*—Gottlieb, Rackman &
Reisman, P.C.

(57) **CLAIM**

The ornamental design for a handbag, as shown and
described.

DESCRIPTION

FIG. 1 is a bottom plan view of a handbag showing my new
design;

FIG. 2 is a rear elevation view thereof;

FIG. 3 is a front elevation view thereof;

FIG. 4 is a right side elevation view thereof, the left side
elevation view being a mirror image thereof;

FIG. 5 is a top plan view thereof;

FIG. 6 is a bottom plan view of the design, similar to that of
FIG. 1, but showing the handbag in an expanded condition;

FIG. 7 is a rear elevation view thereof;

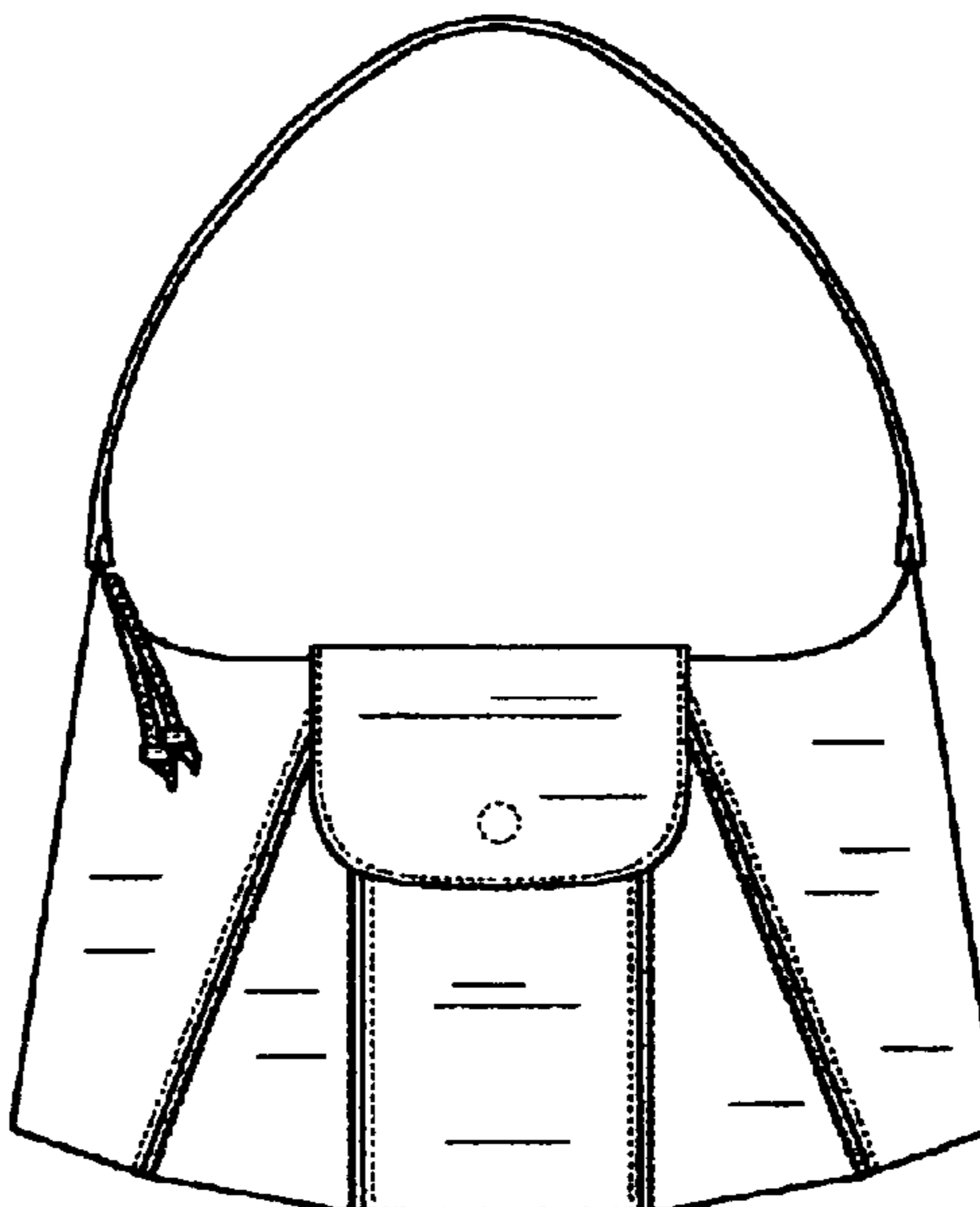
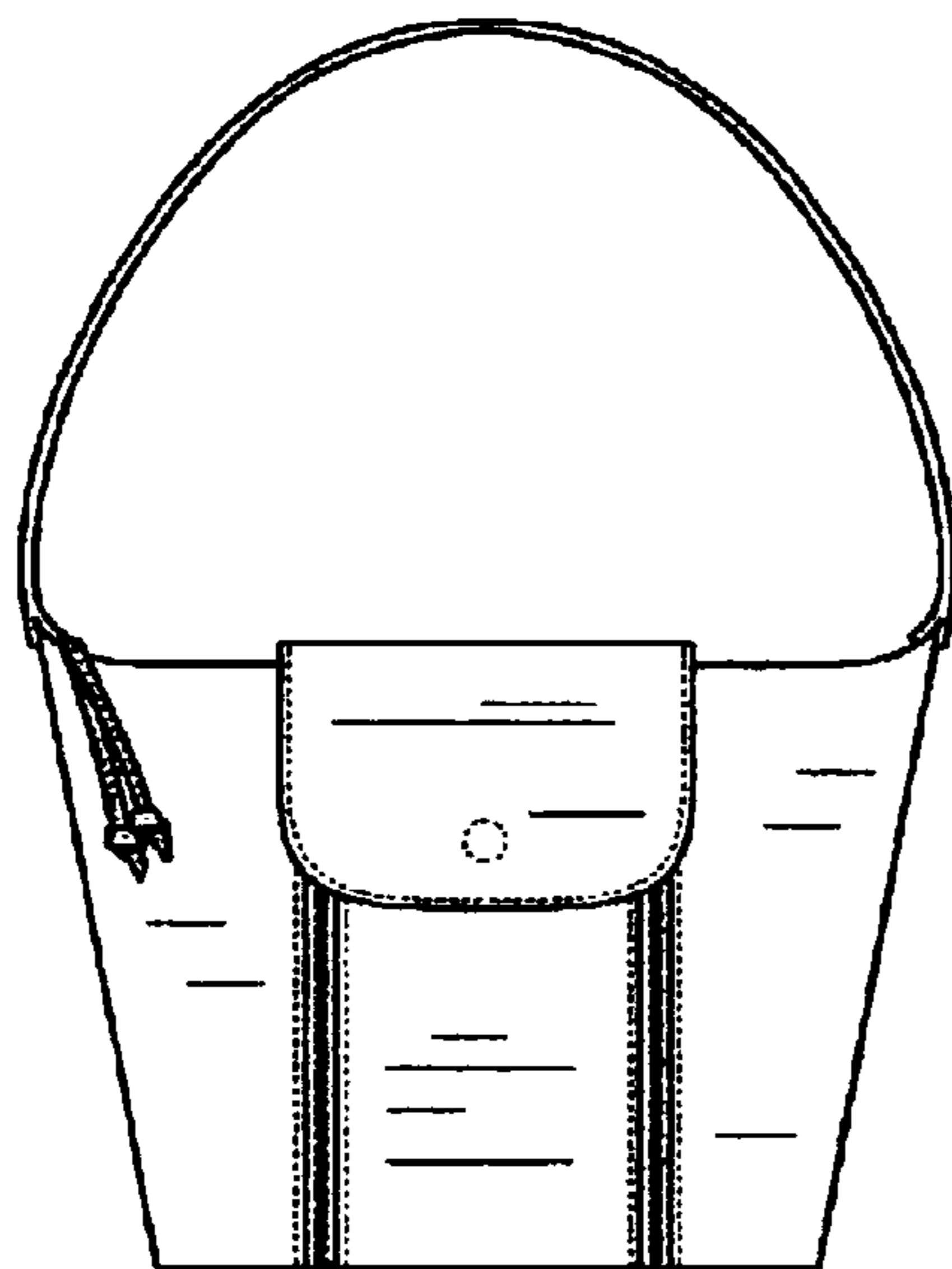
FIG. 8 is a front side elevation view thereof;

FIG. 9 is a right side elevation view thereof, the left side
elevation view being a mirror image thereof; and,

FIG. 10 is a top plan view thereof.

The broken line showing of zipper pulls, in FIGS. 2, 5, and
7, is for illustrative purposes only and forms no part of the
claimed design.

1 Claim, 2 Drawing Sheets



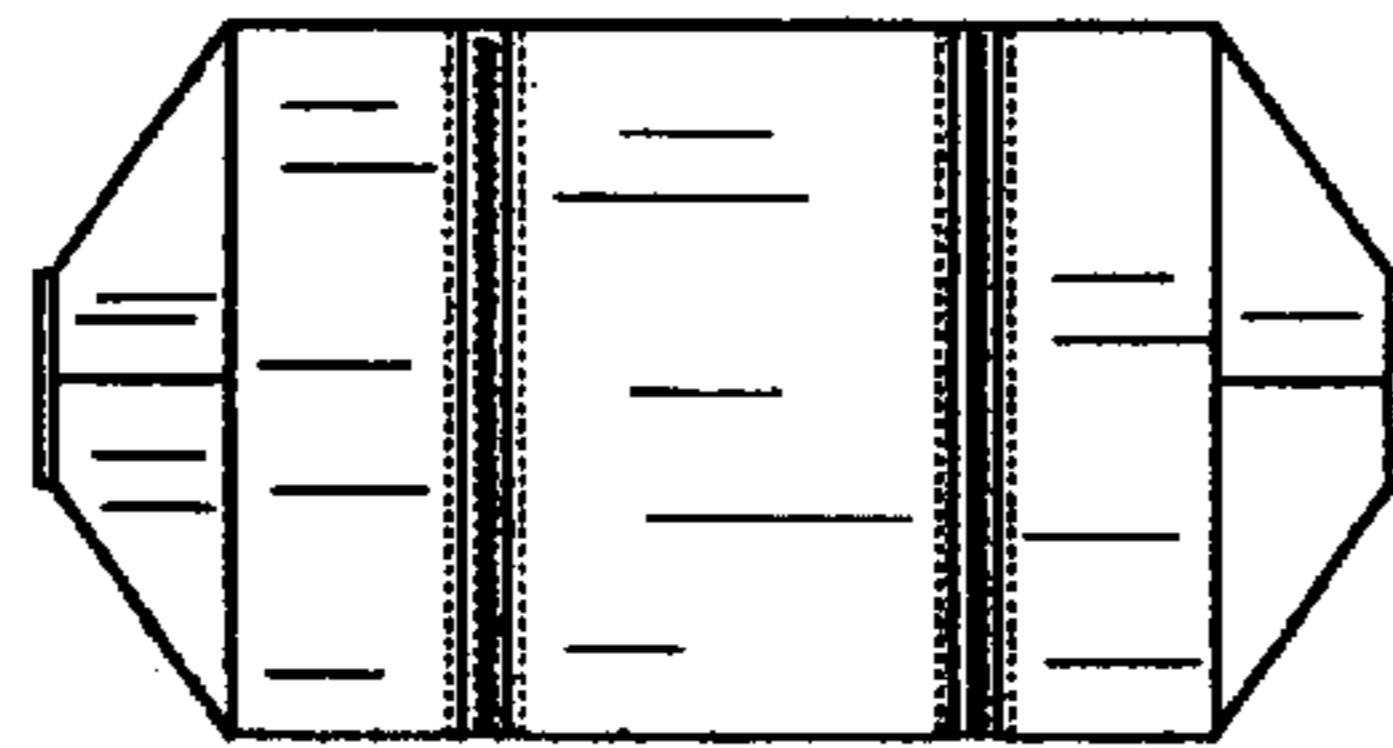


FIG. 1

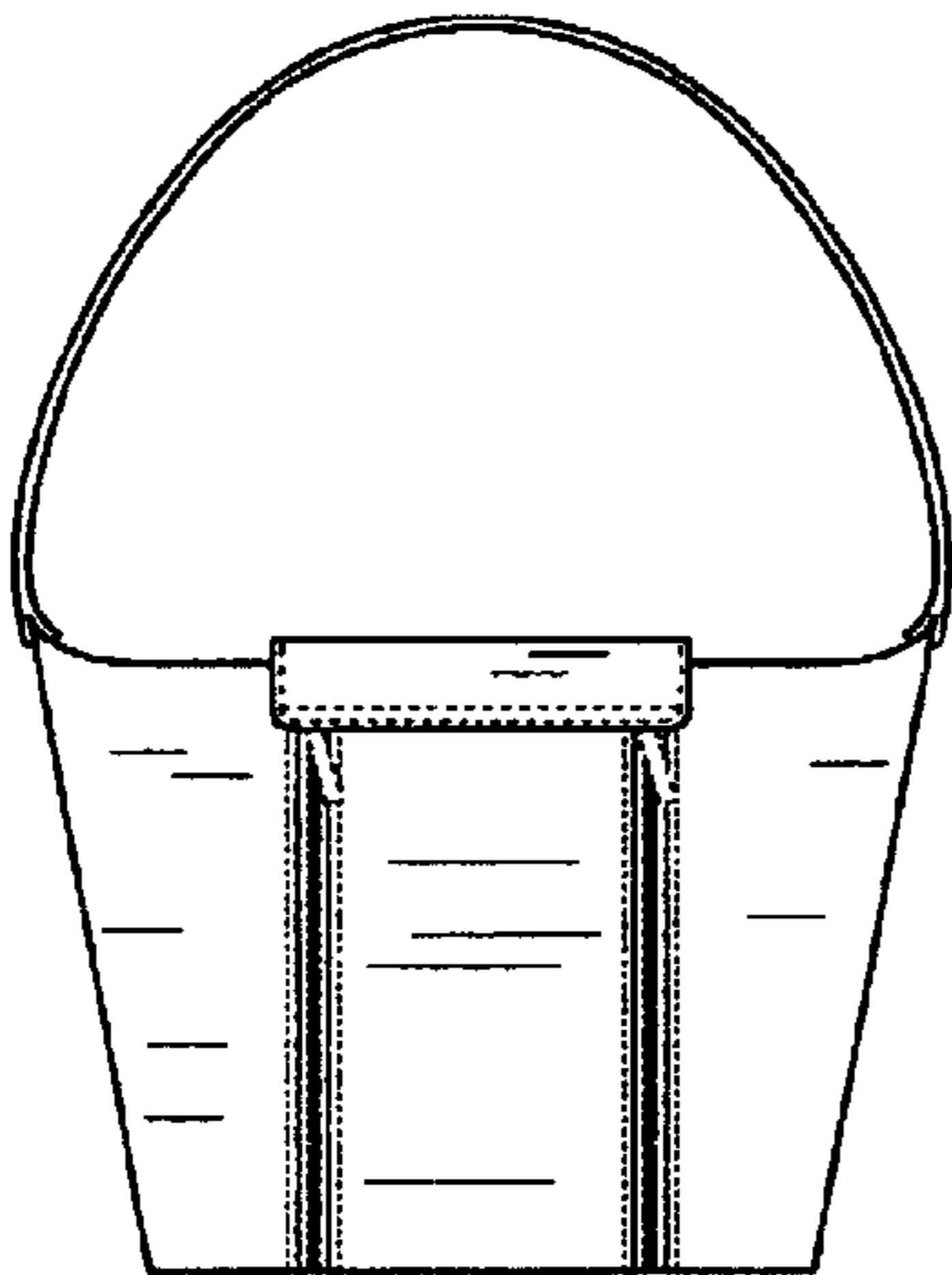


FIG. 2

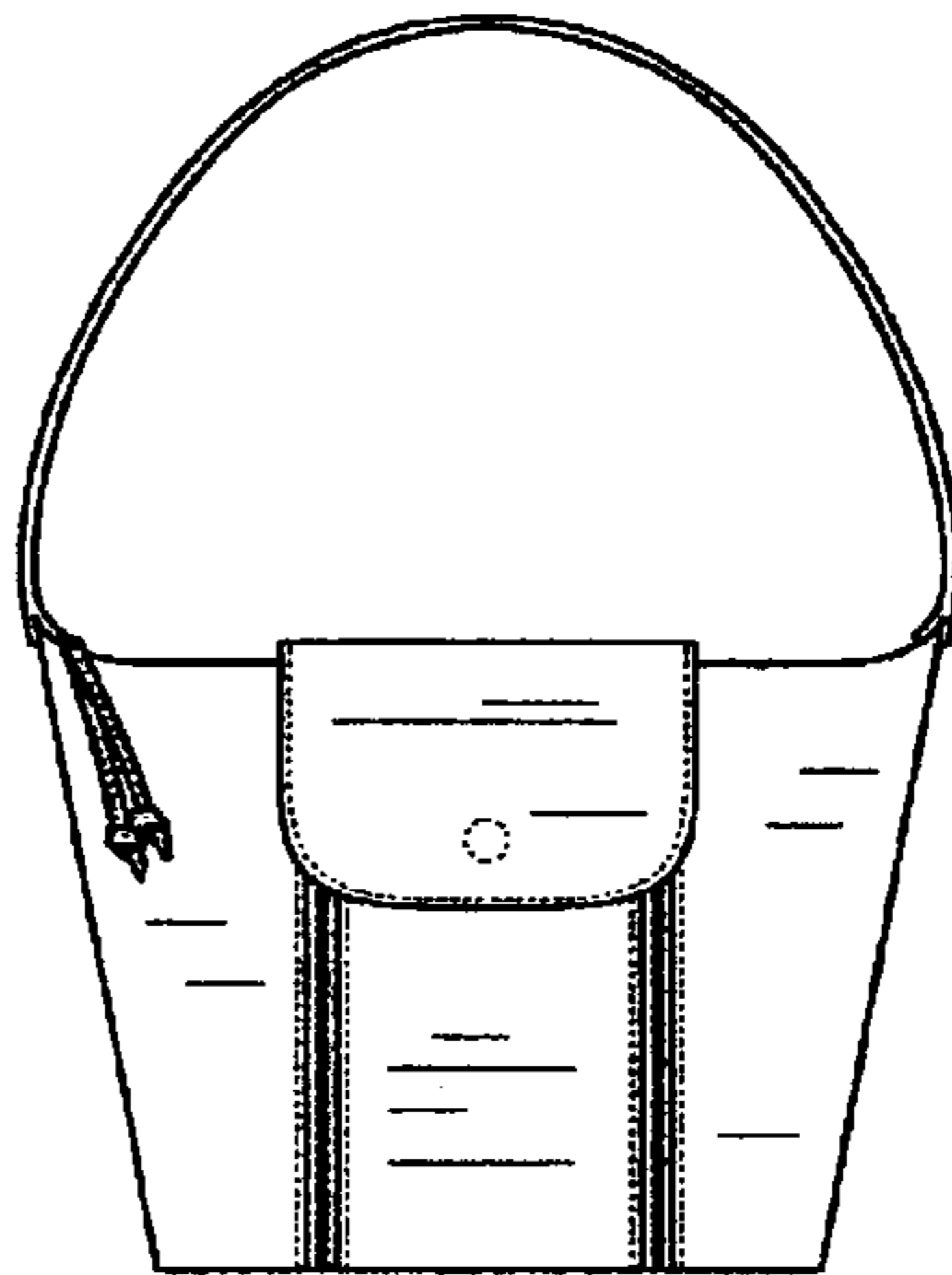


FIG. 3

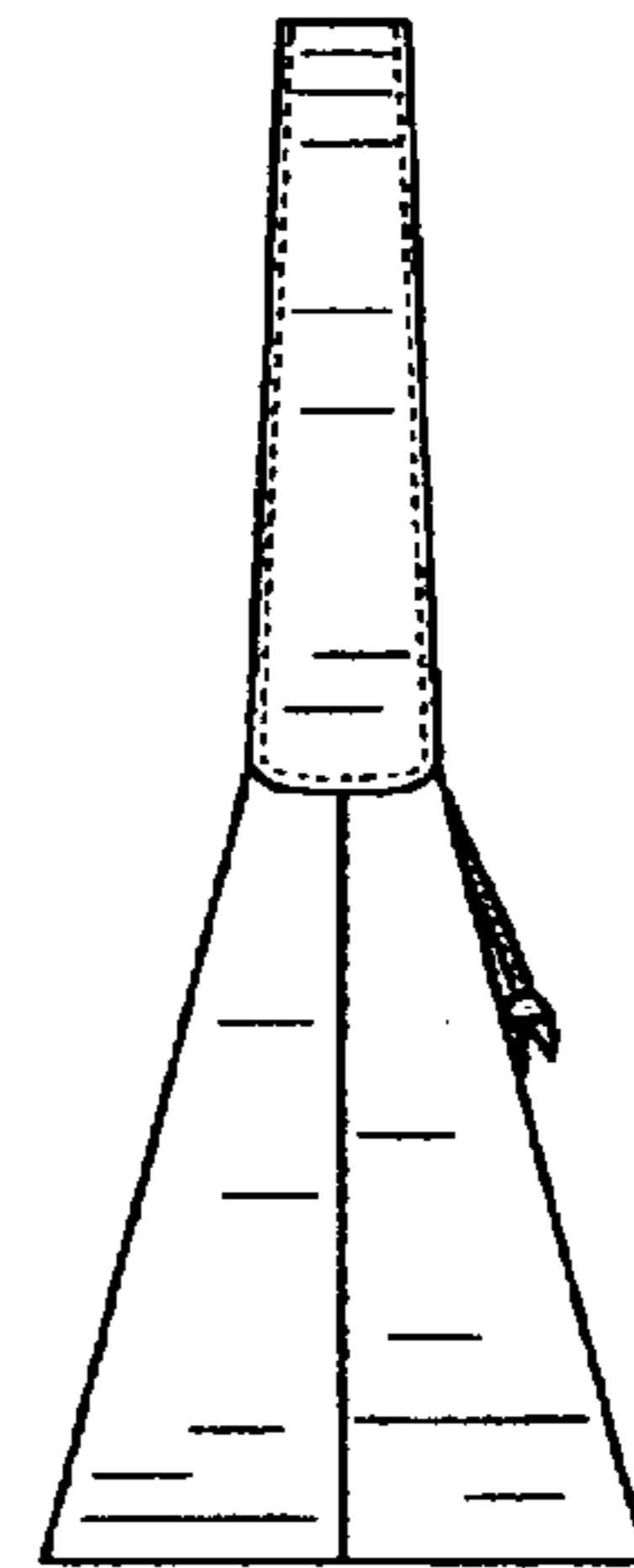


FIG. 4

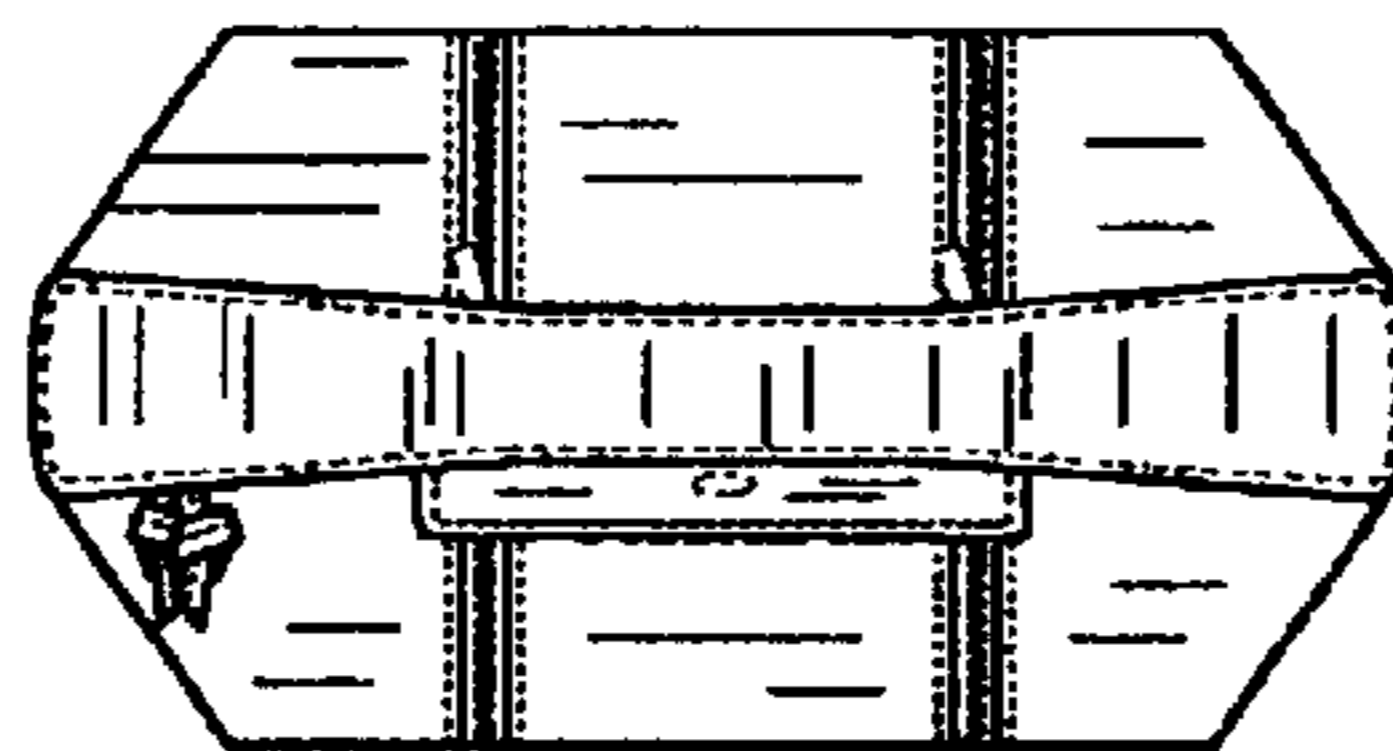


FIG. 5

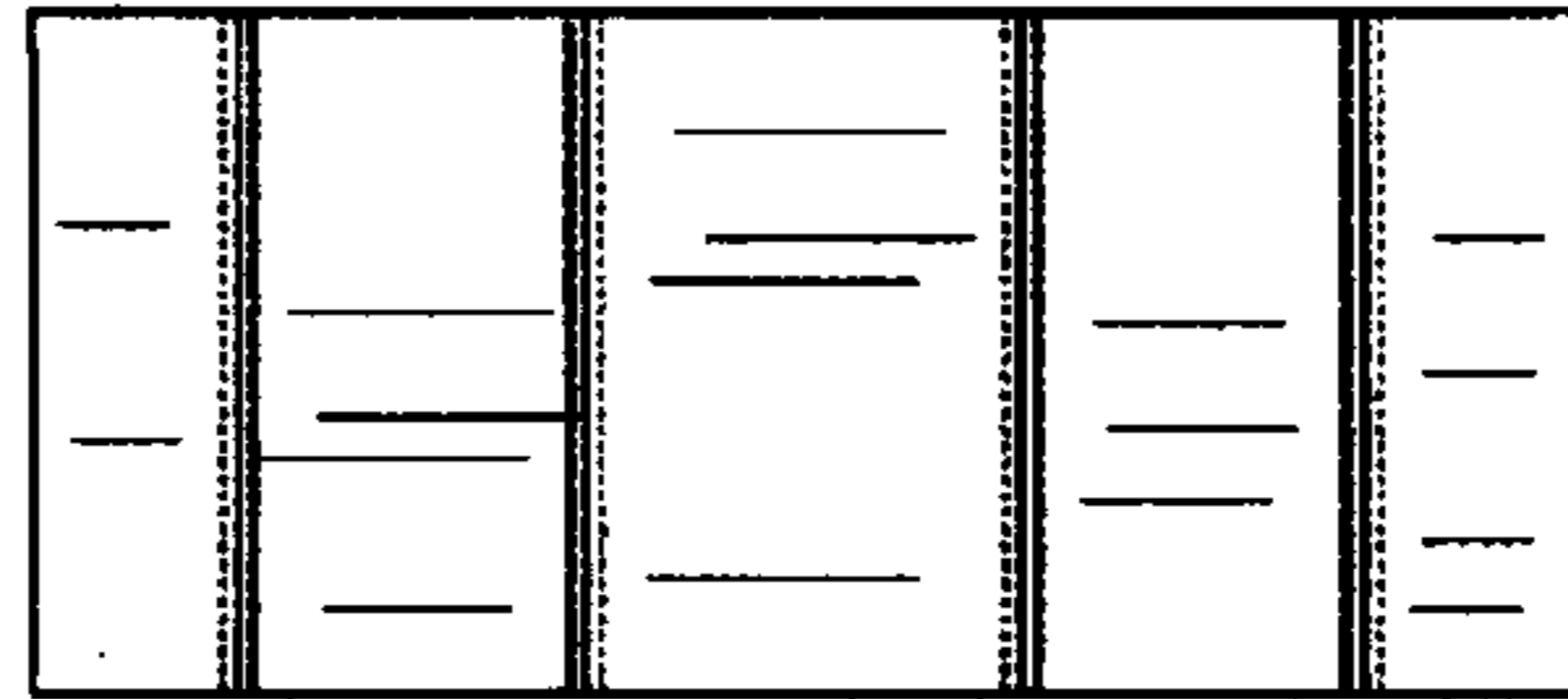


FIG. 6

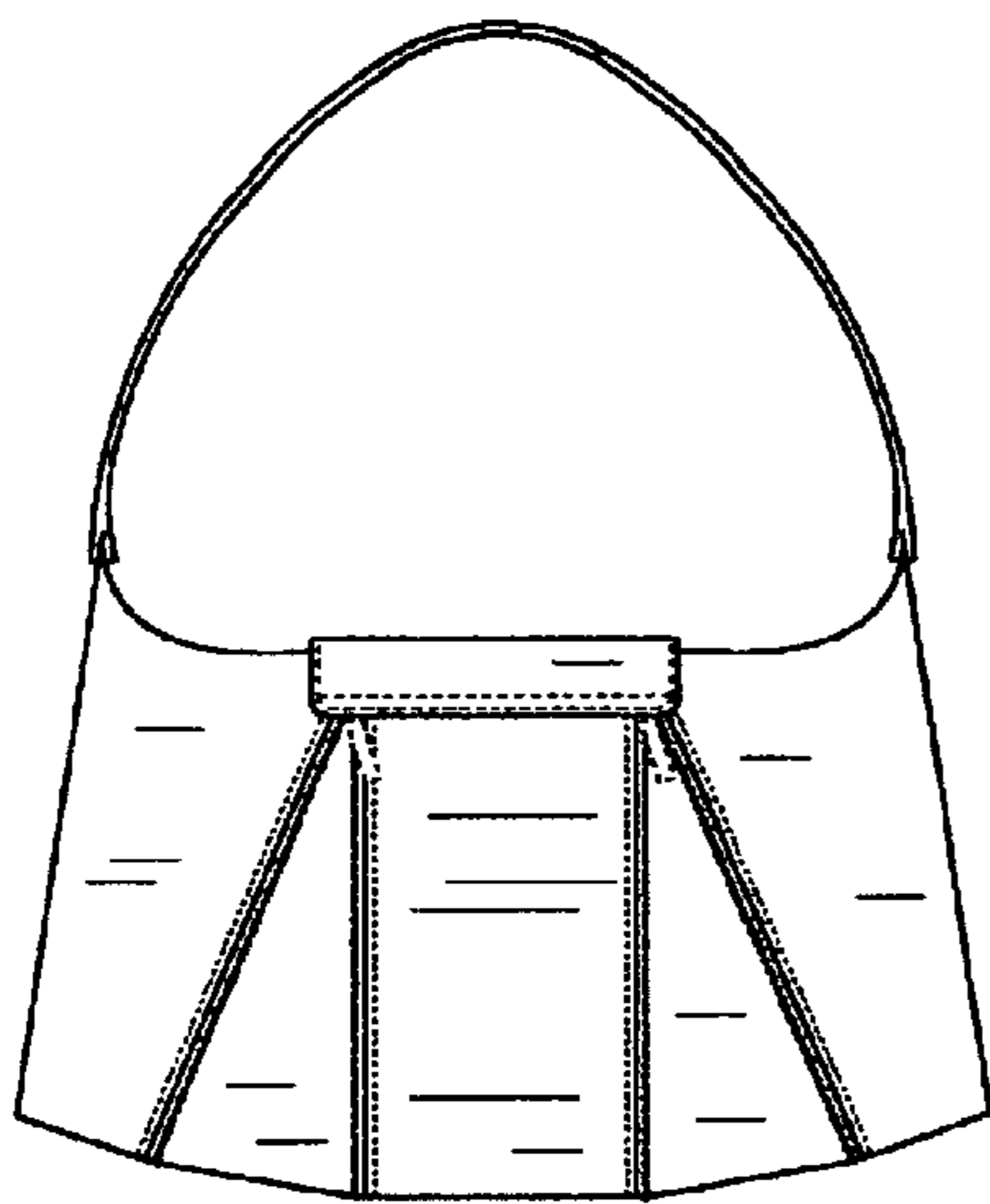


FIG. 7

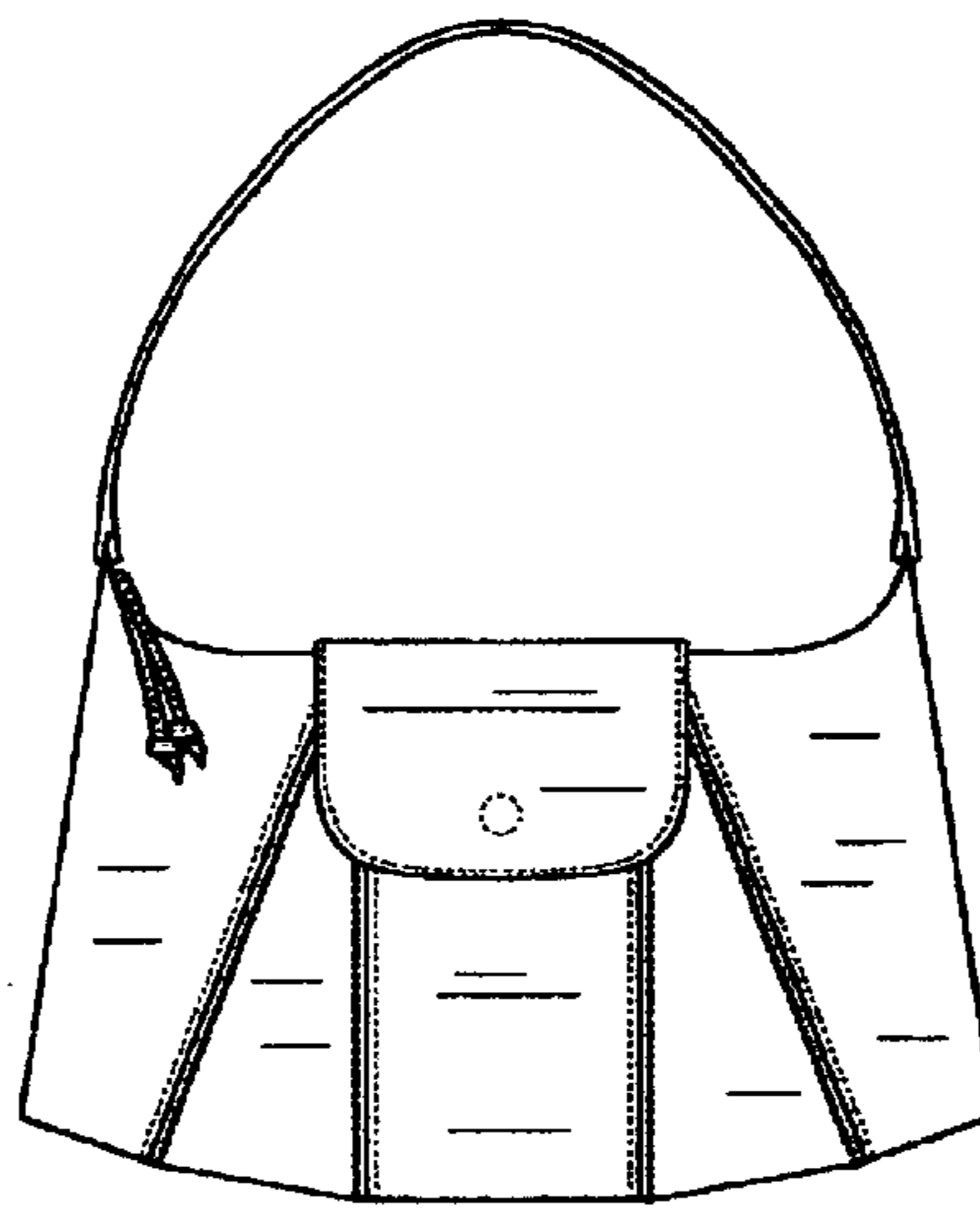


FIG. 8

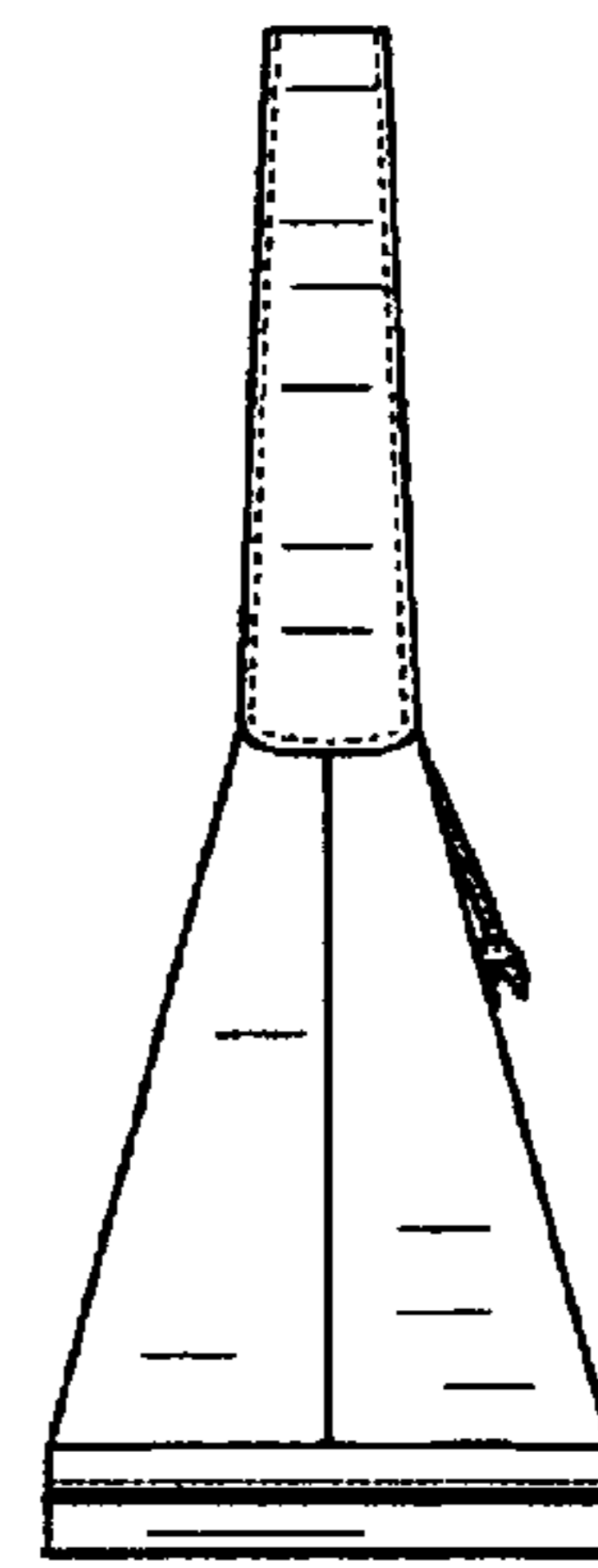


FIG. 9

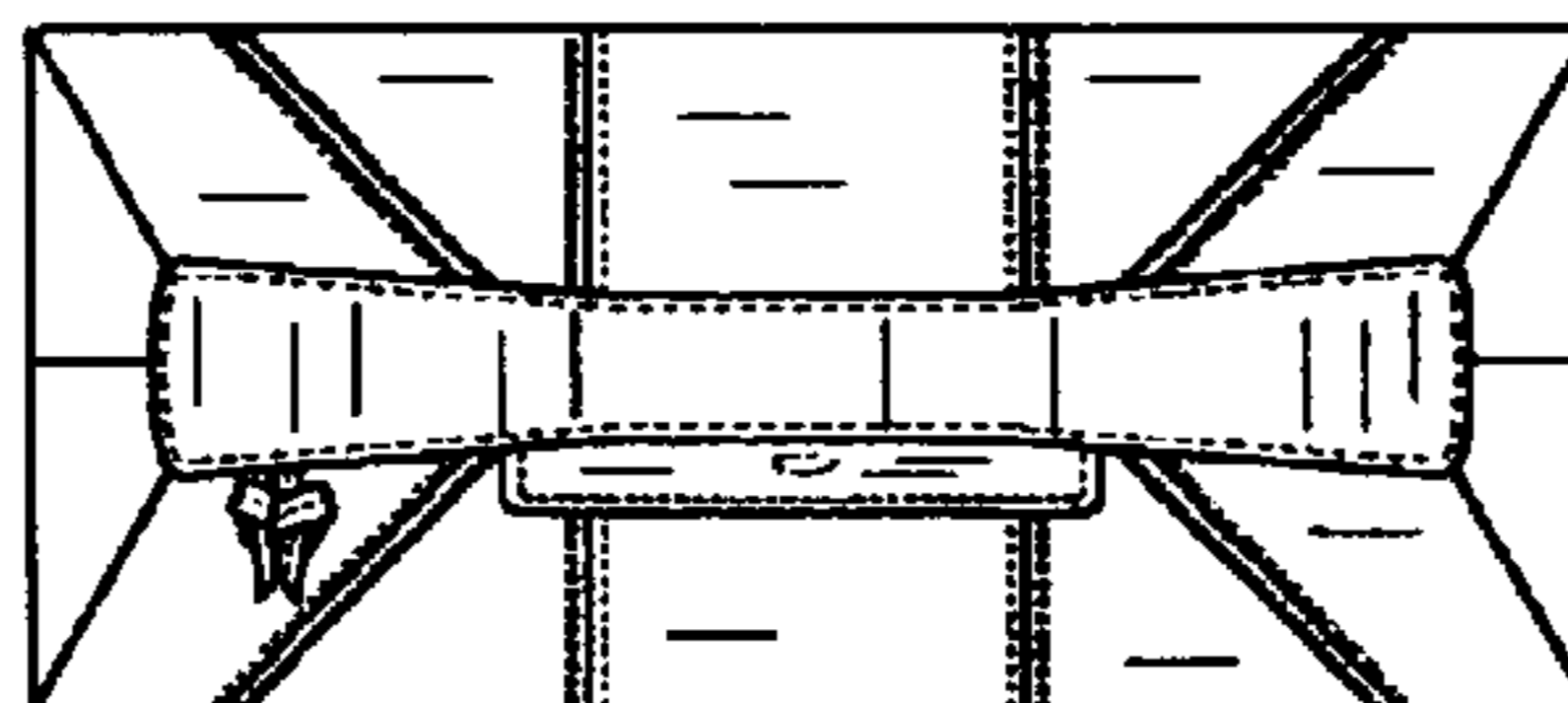


FIG. 10