



US00D510789S

(12) **United States Design Patent** (10) **Patent No.:** **US D510,789 S**
Byrne (45) **Date of Patent:** **** Oct. 25, 2005**

(54) **ORNAMENTAL CHOKER WITH BRA EXTENSION**

(74) *Attorney, Agent, or Firm*—Barlow, Josephs & Holmes, Ltd.

(76) **Inventor:** **Mary L. Byrne**, 57 Lynn Dr., North Kingston, RI (US) 02852

(57) **CLAIM**

The ornamental design for an ornamental choker with bra extension, as shown and described.

(**) **Term:** **14 Years**

DESCRIPTION

(21) **Appl. No.:** **29/190,557**

FIG. 1 is a perspective view of an ornamental choker with bra extension, showing my new design;
 FIG. 2 is a top plan view thereof;
 FIG. 3 is a front view thereof;
 FIG. 4 is a back view thereof;
 FIG. 5 is a left side view thereof;
 FIG. 6 is a right side view thereof;
 FIG. 7 is a bottom view thereof; and,
 FIG. 8 is a perspective view of my design of FIG. 1 shown in place on a human torso.

(22) **Filed:** **Sep. 23, 2003**

(51) **LOC (8) Cl.** **02-07**

(52) **U.S. Cl.** **D2/624**

(58) **Field of Search** D2/500, 501, 502, D2/624, 641; D11/1, 3-6, 9-10, 7, 26, 29, 34, 13; 63/1.11, 3-5.1

The human torso depicted in FIG. 8 has been shown for illustrative environmental purposes only and forms no part of the claimed design.

(56) **References Cited**

U.S. PATENT DOCUMENTS

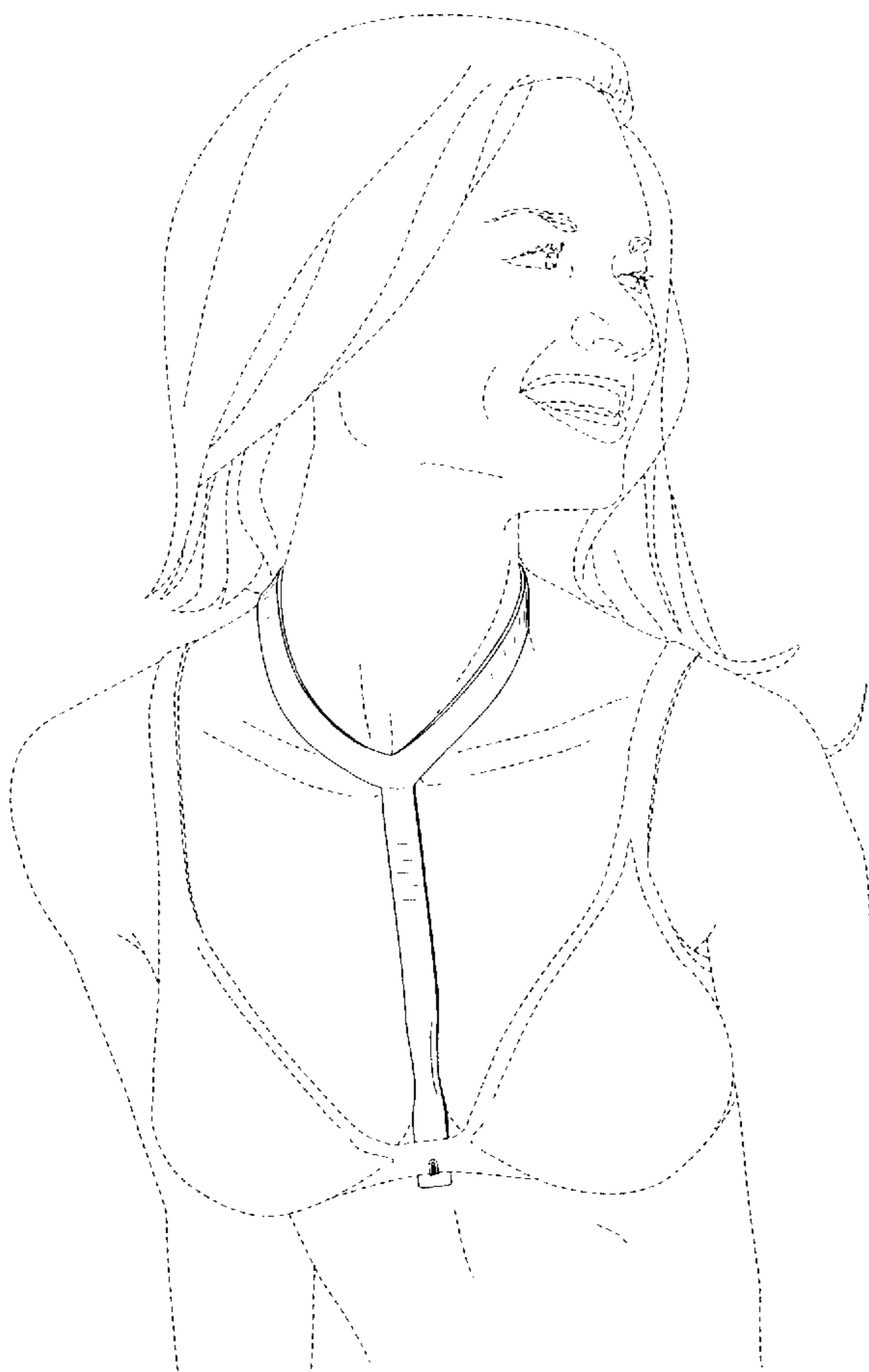
D31,545 S	*	9/1899	French	D11/7
1,556,106 A	*	10/1925	Hamilton	63/1.11
D425,814 S	*	5/2000	McCracken	D11/3
D443,546 S	*	6/2001	Cabarbaye	D11/3

The broken line showing of the human form in FIG. 8 is for illustrative purposes only and forms no part of the claimed design.

* cited by examiner

Primary Examiner—Paula A. Greene

1 Claim, 8 Drawing Sheets



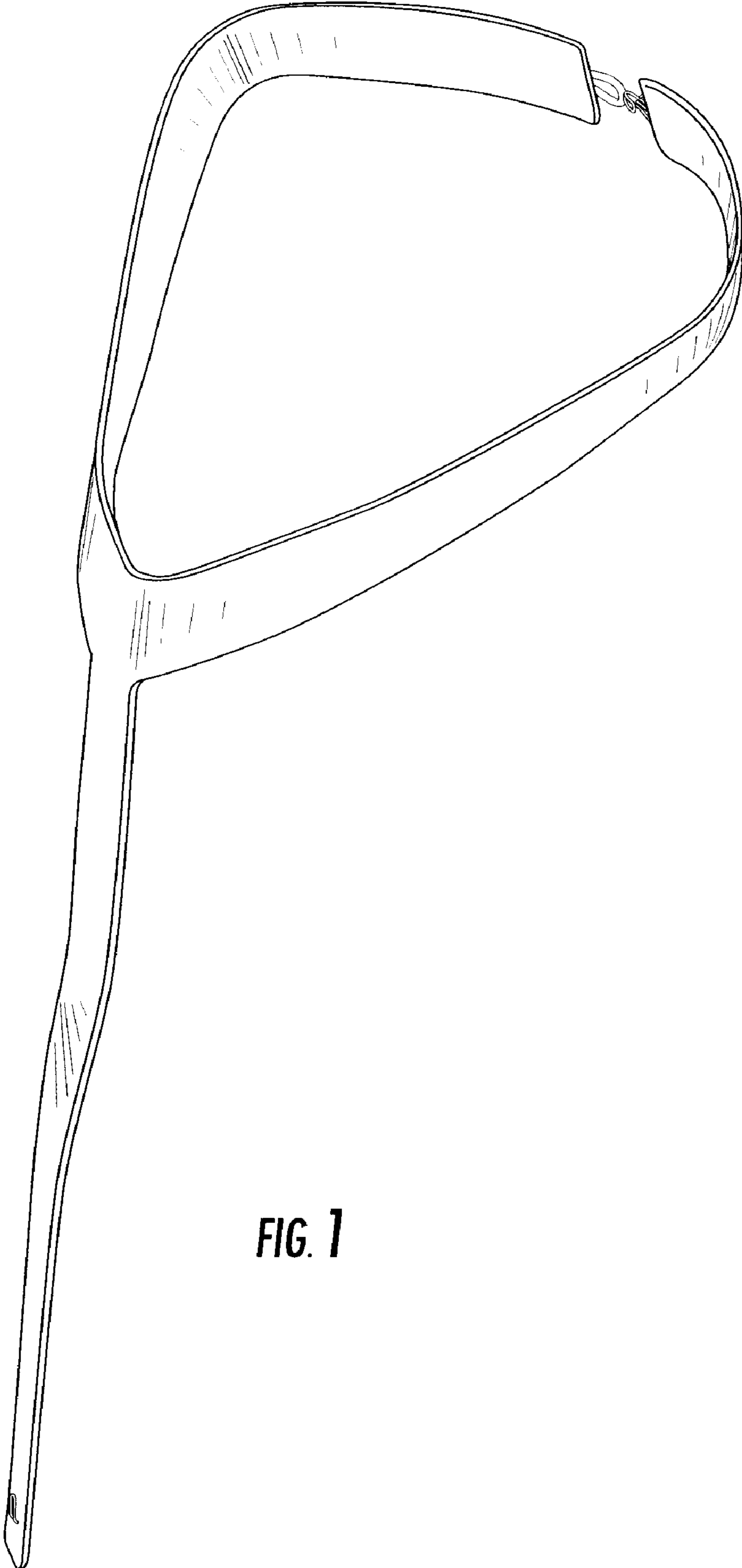


FIG. 1

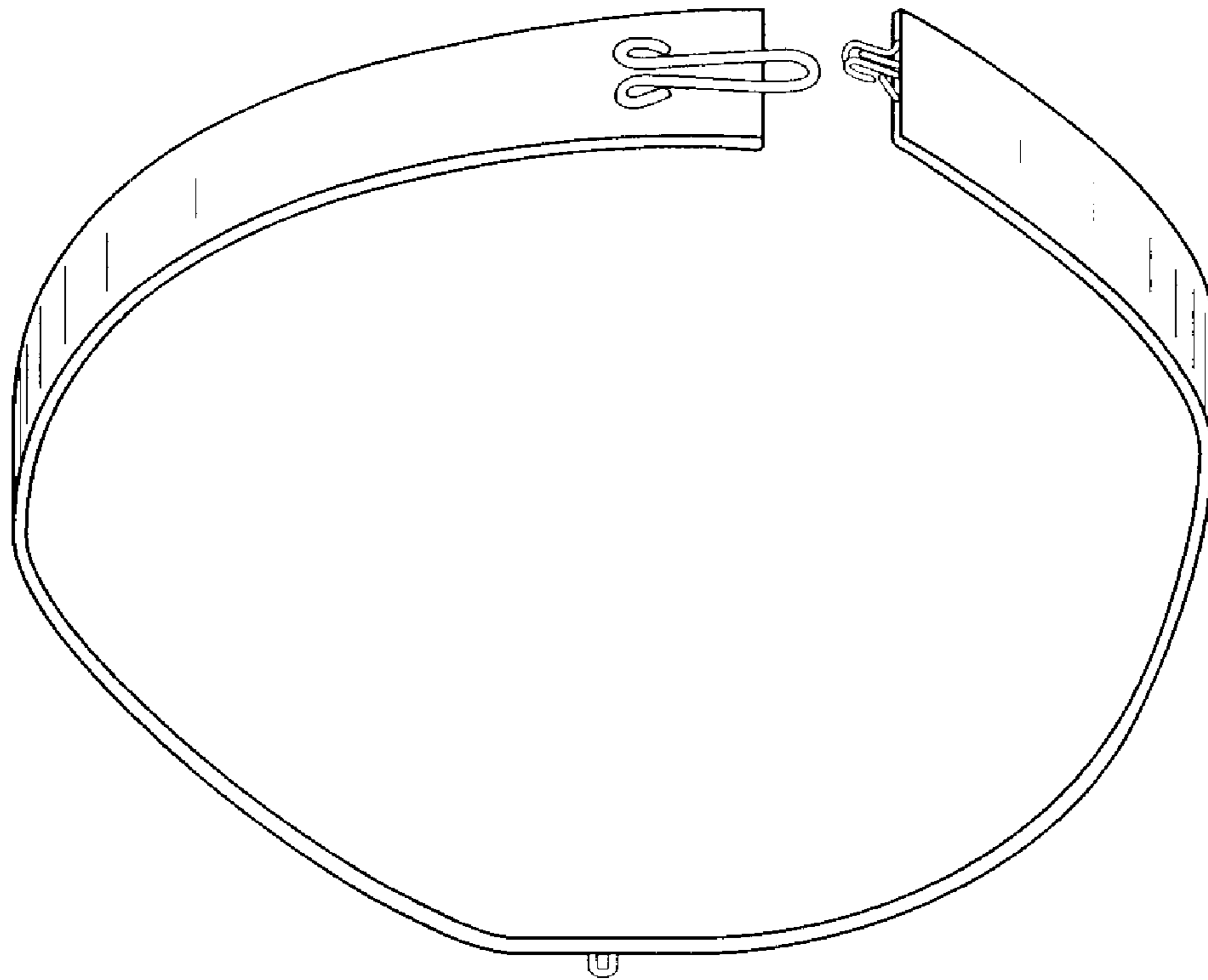


FIG. 2

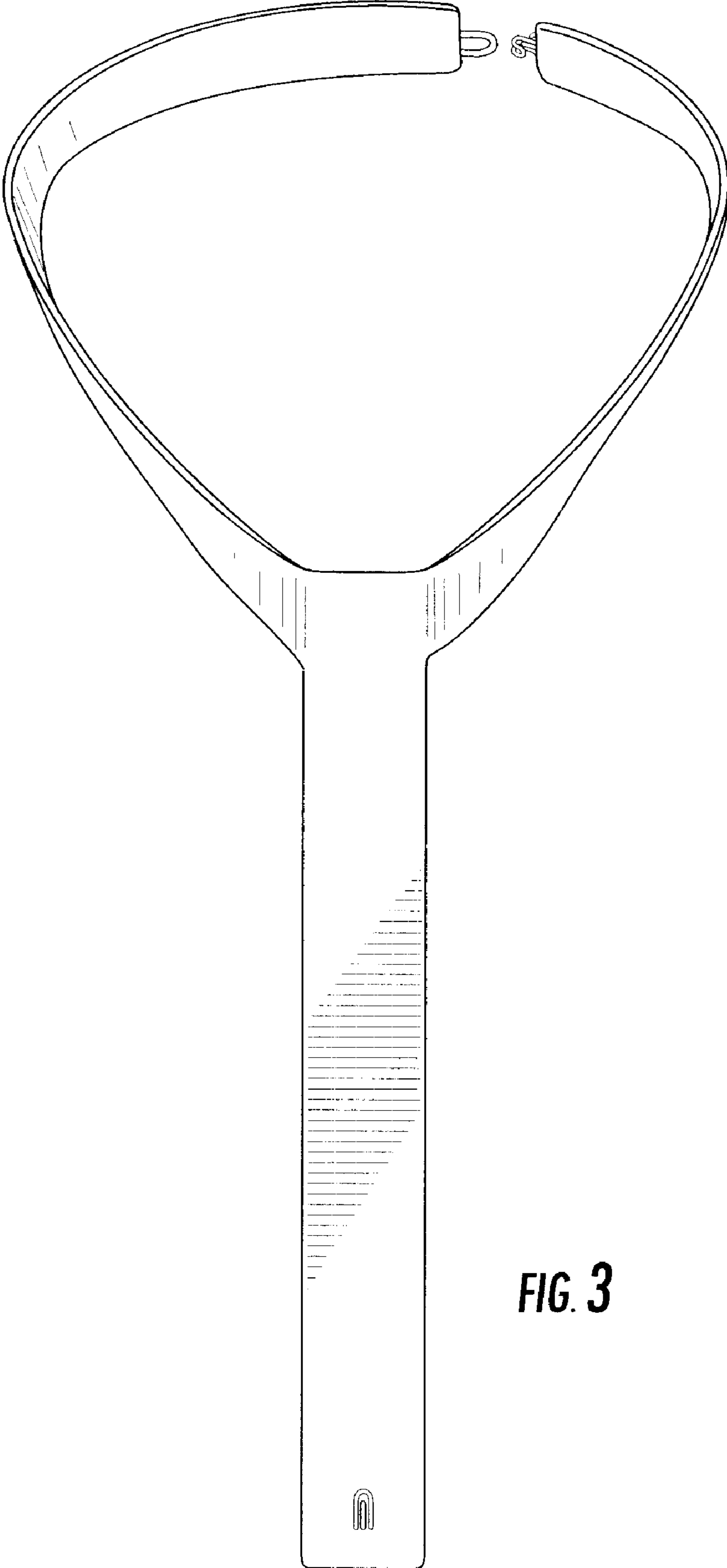


FIG. 3

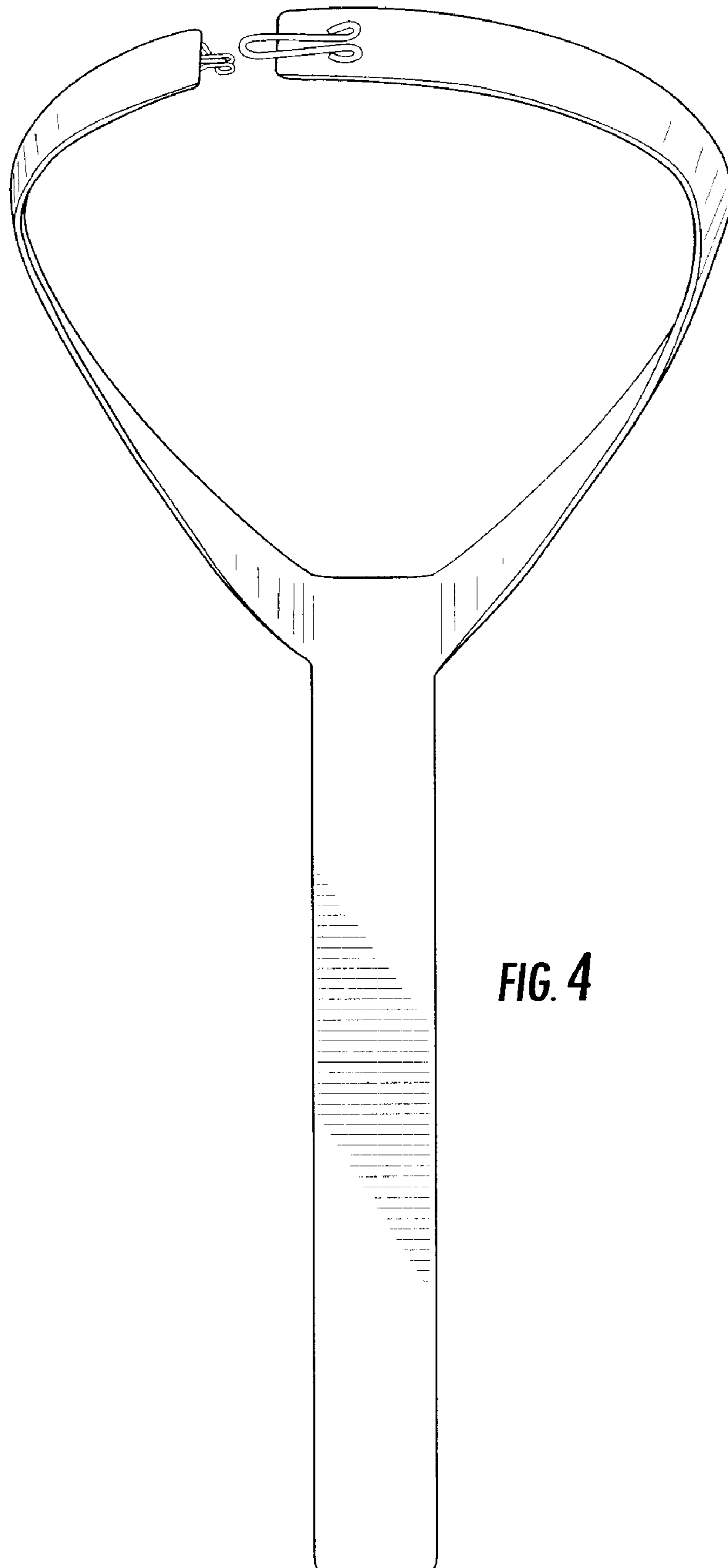


FIG. 4

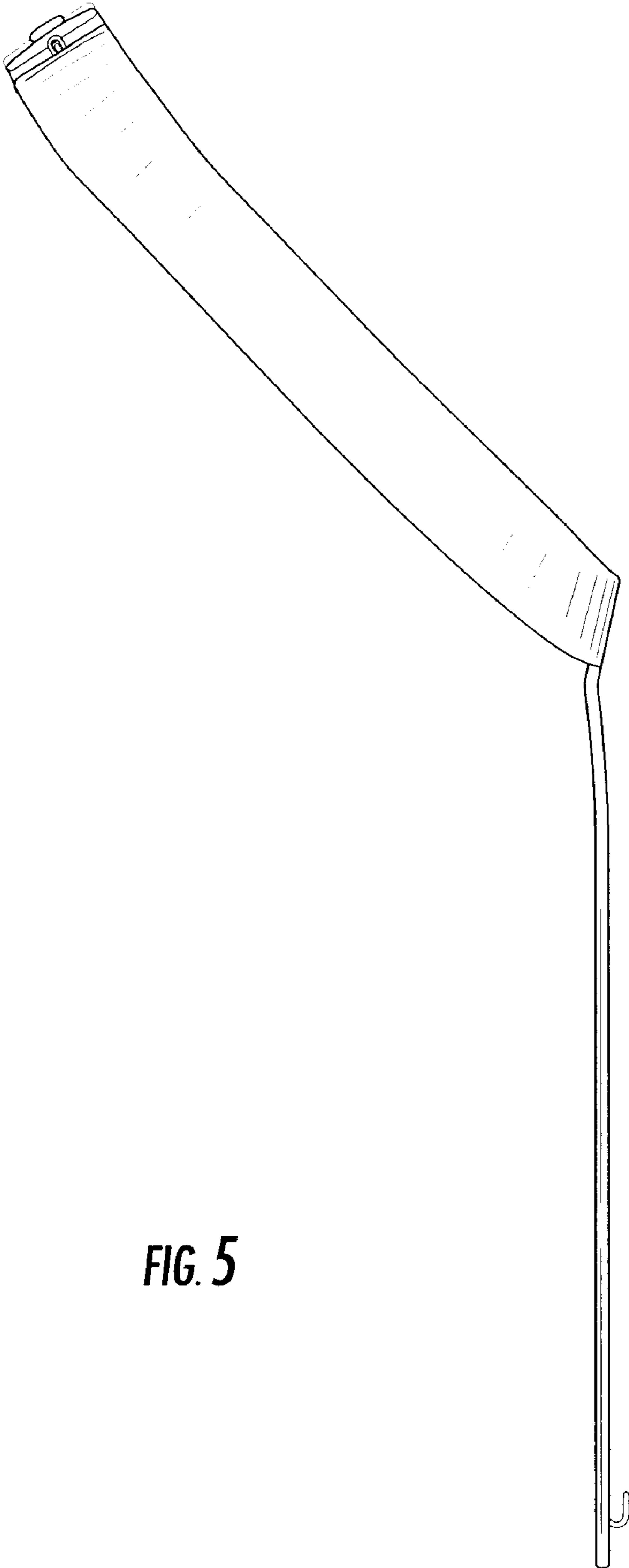


FIG. 5

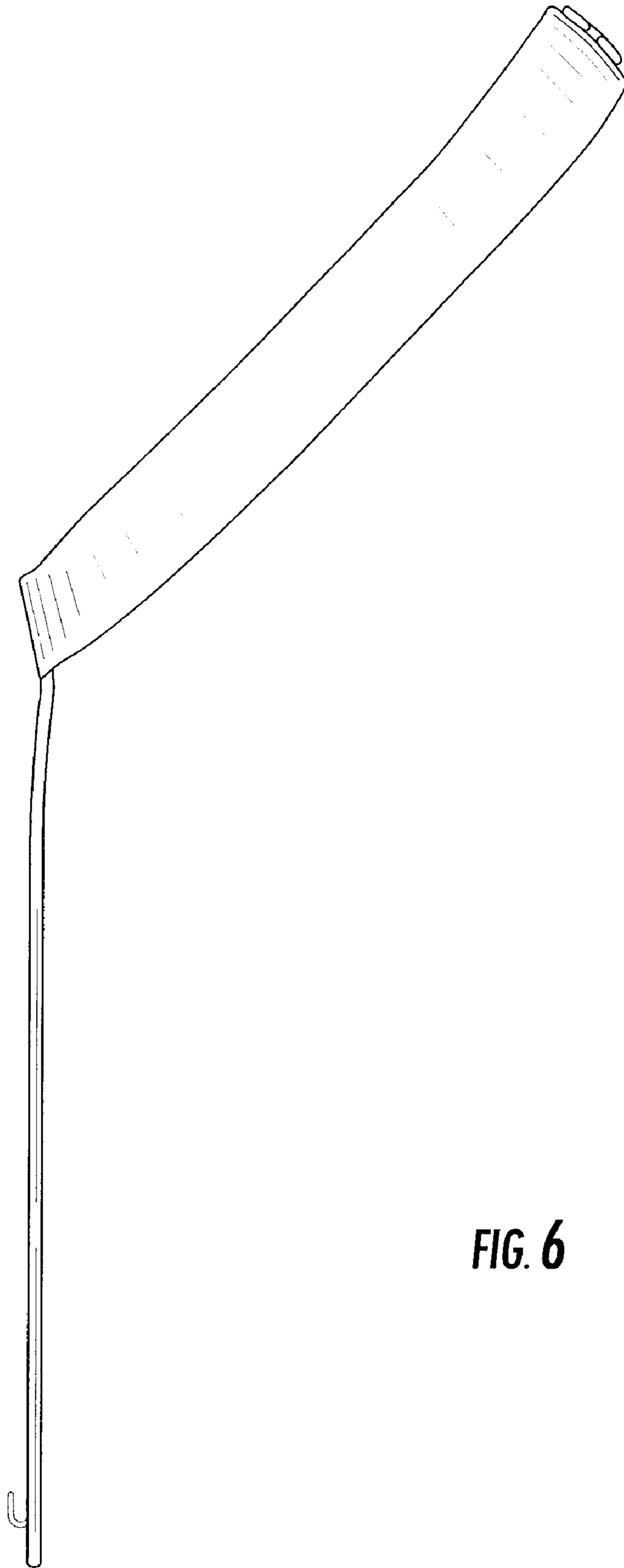


FIG. 6

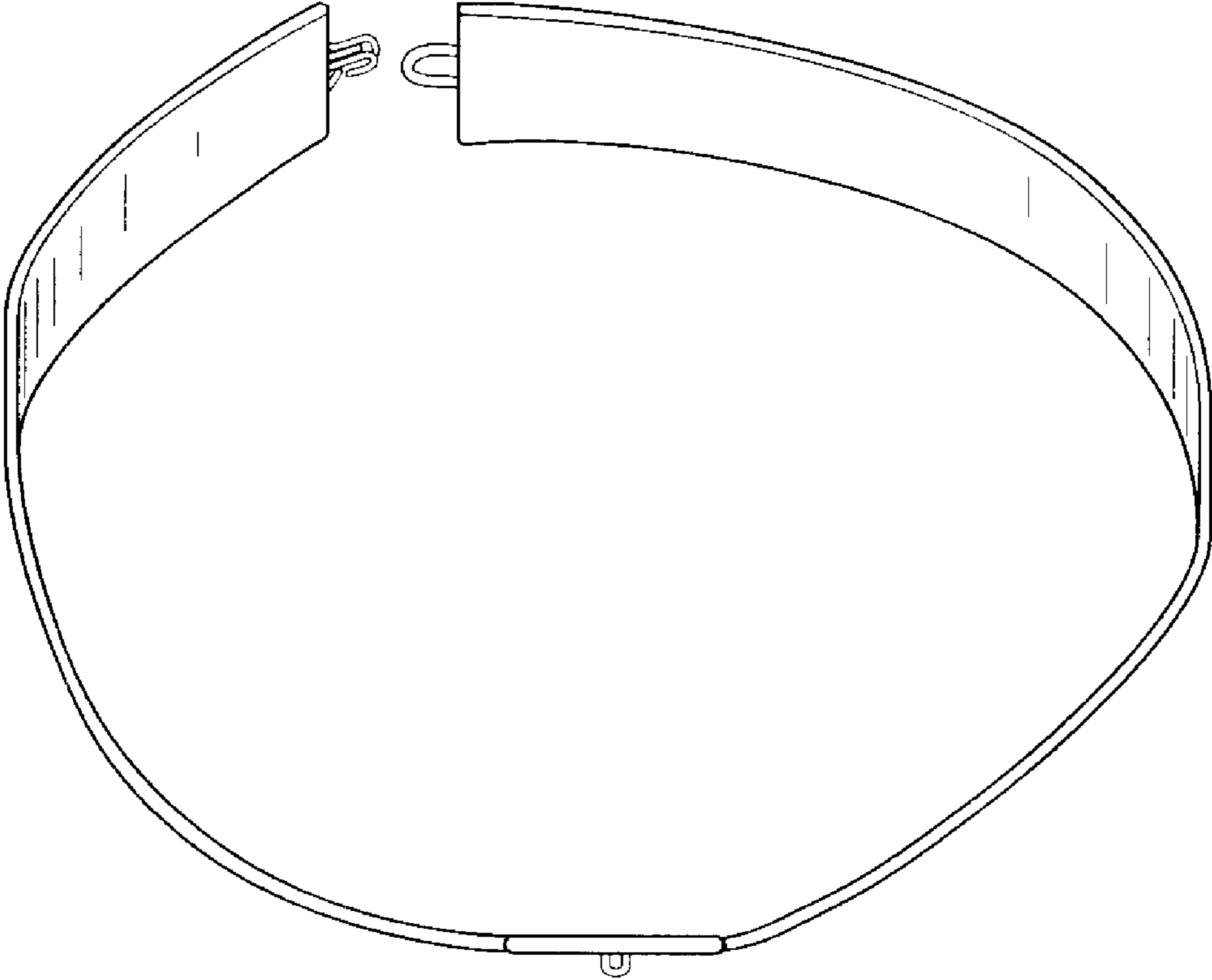


FIG. 7

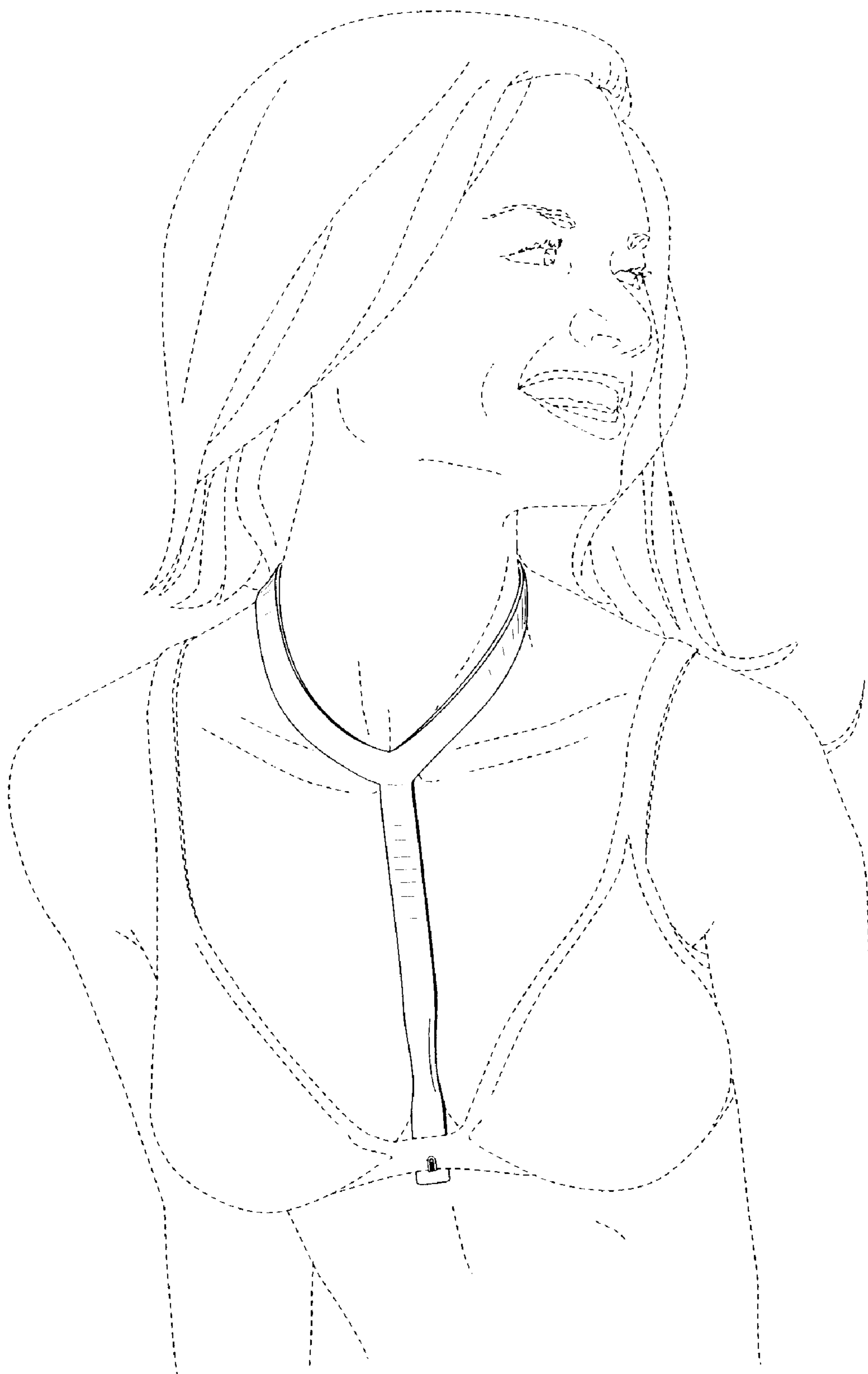


FIG. 8