



US00D510786S

(12) **United States Design Patent**
Laursen

(10) **Patent No.: US D510,786 S**
(45) **Date of Patent: ** Oct. 25, 2005**

(54) **CANDY BAR WISHING WELL**

(76) Inventor: **Cynthia J. Laursen**, 742 William Ave.,
Asheboro, NC (US) 27203

(**) Term: **14 Years**

(21) Appl. No.: **29/211,933**

(22) Filed: **Aug. 24, 2004**

(51) **LOC (8) Cl. 01-01**

(52) **U.S. Cl. D1/104; D1/106; D1/127;**
D7/539; D7/571; D11/157

(58) **Field of Search D11/122, 131,**
D11/149, 157; D1/100-106, 127, 199; D3/271.1,
271.6; D6/434, 450, 512, 515, 517; D7/506,
551.1, 539, 556, 559, 571, 599, 613, 702,
628; D9/600, 636, 637, 715, 721, 730;
D20/10, 12, 19, 29, 34, 38; D21/483, 506,
507, 511; D23/231; D25/1, 7, 10, 22-31,
35; 428/39, 542.2, 542.4; 206/457, 216,
223, 526, 822; 426/104, 106, 108, 112,
115, 119, 121, 132, 135; 211/13.1, 85.4

(56) **References Cited**

U.S. PATENT DOCUMENTS

1,595,449 A * 8/1926 Carrm 211/1.53
1,664,464 A * 4/1928 Purchas 446/76
D170,737 S * 10/1953 Zon D25/10
D174,041 S * 2/1955 Johnson et al. D25/10

2,775,523 A * 12/1956 Green 426/104
D189,023 S * 10/1960 Block D25/22
D194,550 S * 2/1963 Margolis D26/57
3,210,200 A * 10/1965 Billeb 426/106
3,332,787 A * 7/1967 Wagenheim 426/104
D240,069 S * 5/1976 Lopez D11/149
D284,313 S * 6/1986 Sidney D26/94
D304,810 S * 11/1989 Thurman D11/149
5,413,801 A * 5/1995 McIlwain 426/420

* cited by examiner

Primary Examiner—Catherine Tuttle

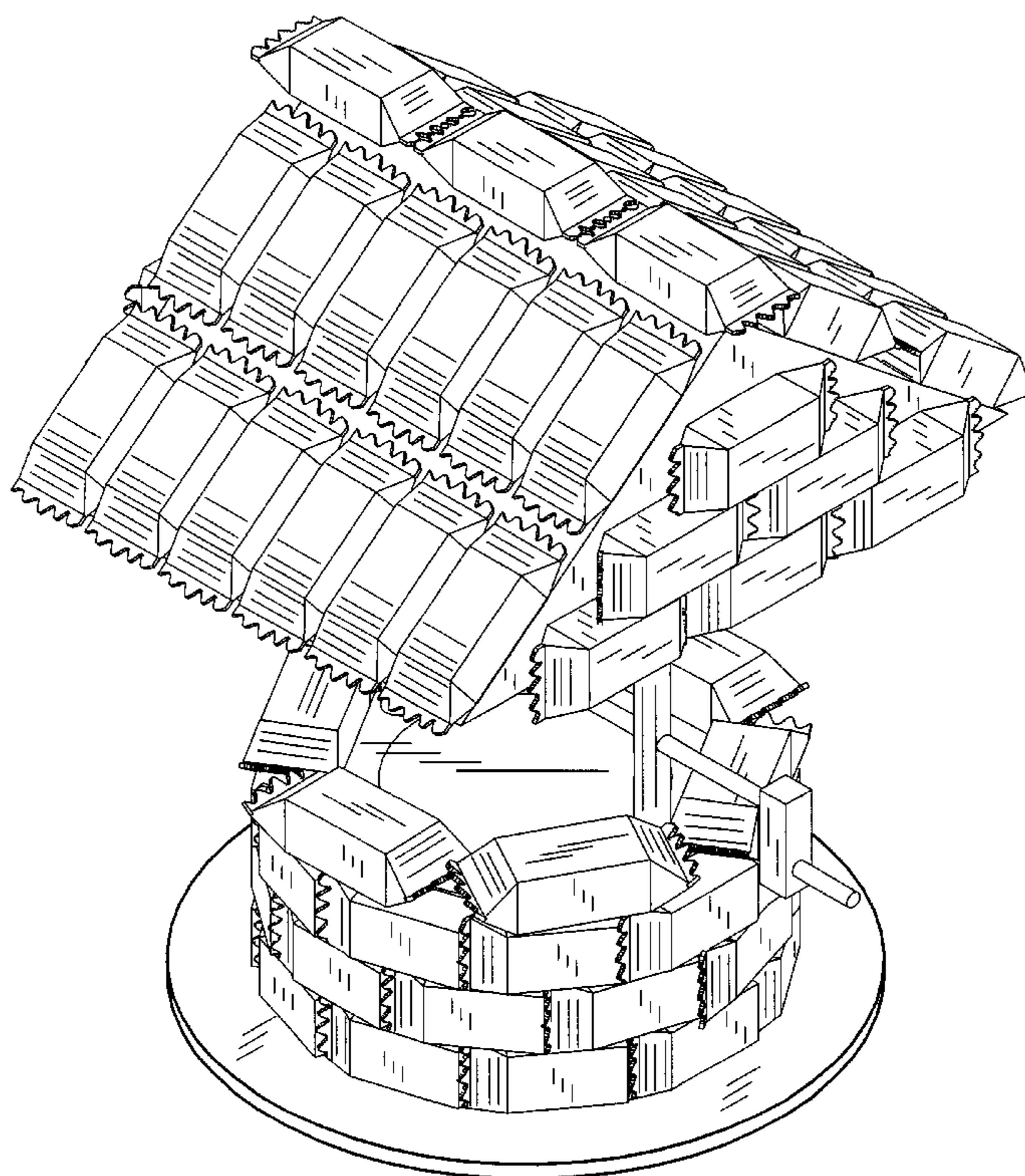
(57) **CLAIM**

The ornamental design for a candy bar wishing well, as shown and described.

DESCRIPTION

FIG. 1 is a top, front, right side perspective view of a candy bar wishing well embodying my design;
FIG. 2 is a front elevational view thereof, the rear elevational view being a mirror image thereof;
FIG. 3 is a cross sectional view taken along line 3—3 of FIG. 2, and showing the underside of the roof;
FIG. 4 is a cross sectional view taken along line 4—4 of FIG. 2, and showing the top of the well;
FIG. 5 is a top plan view thereof;
FIG. 6 is a bottom plan view thereof; and,
FIG. 7 is a left side elevational view thereof.

1 Claim, 7 Drawing Sheets



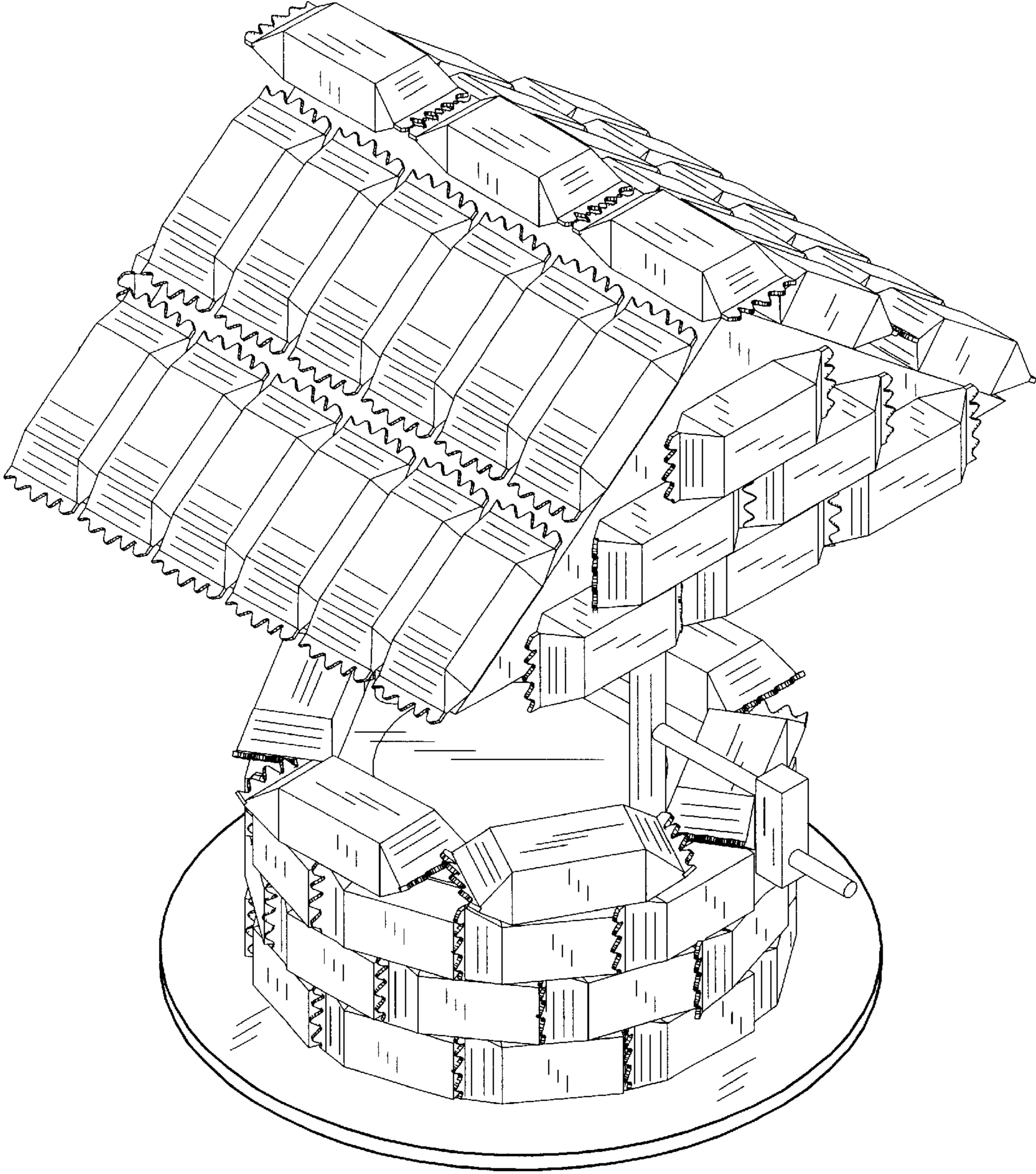


FIG. 1

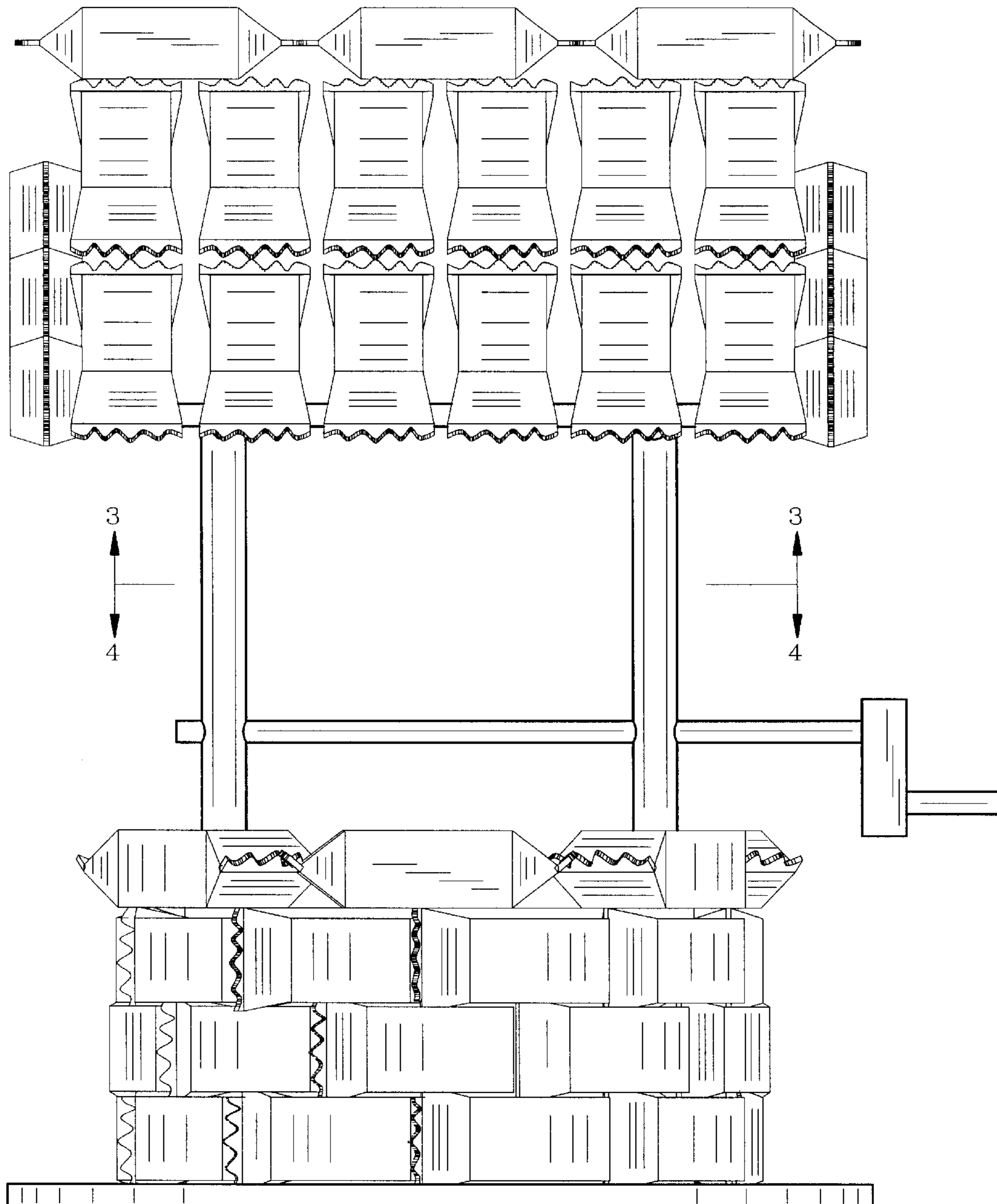


FIG. 2

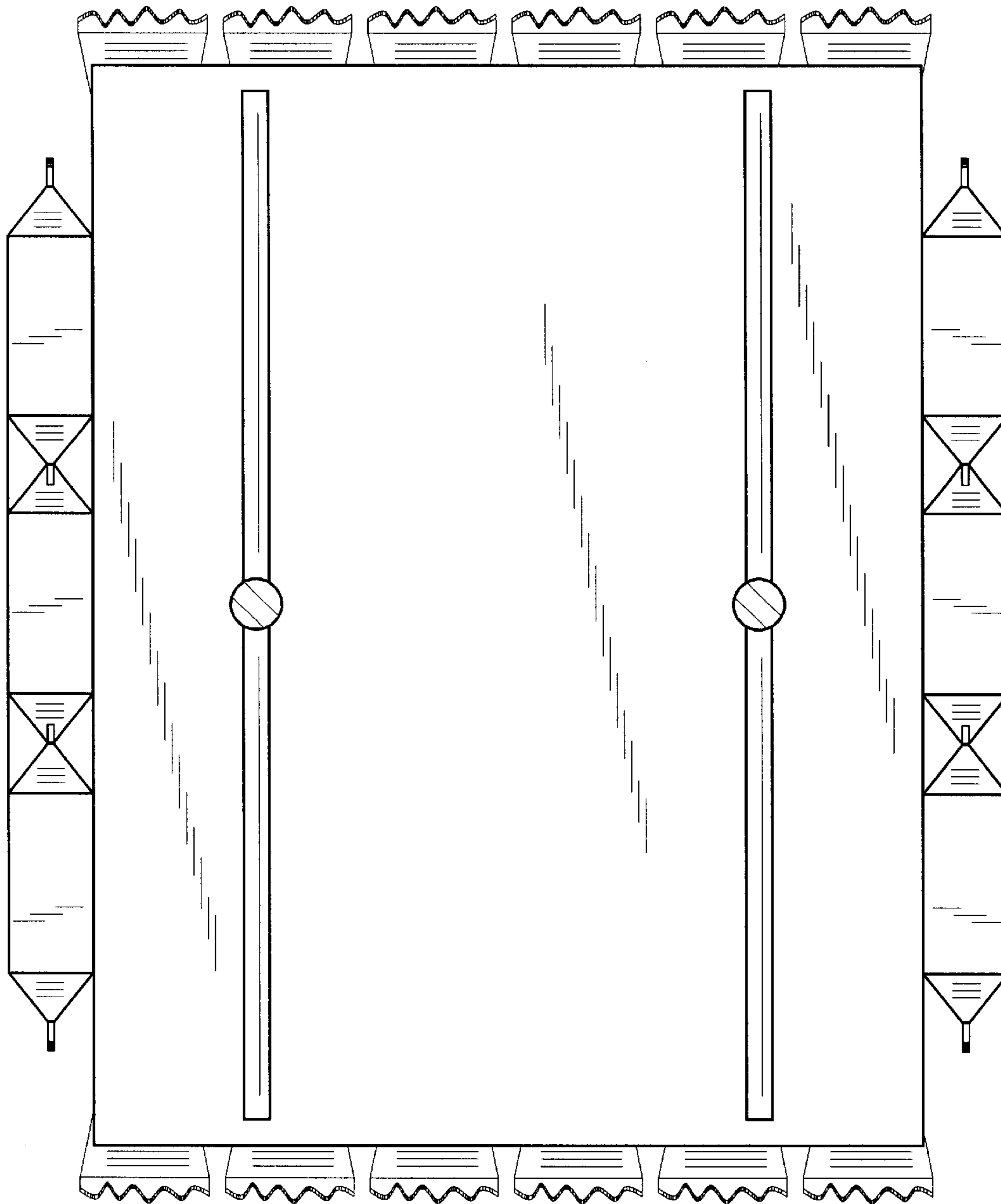


FIG. 3

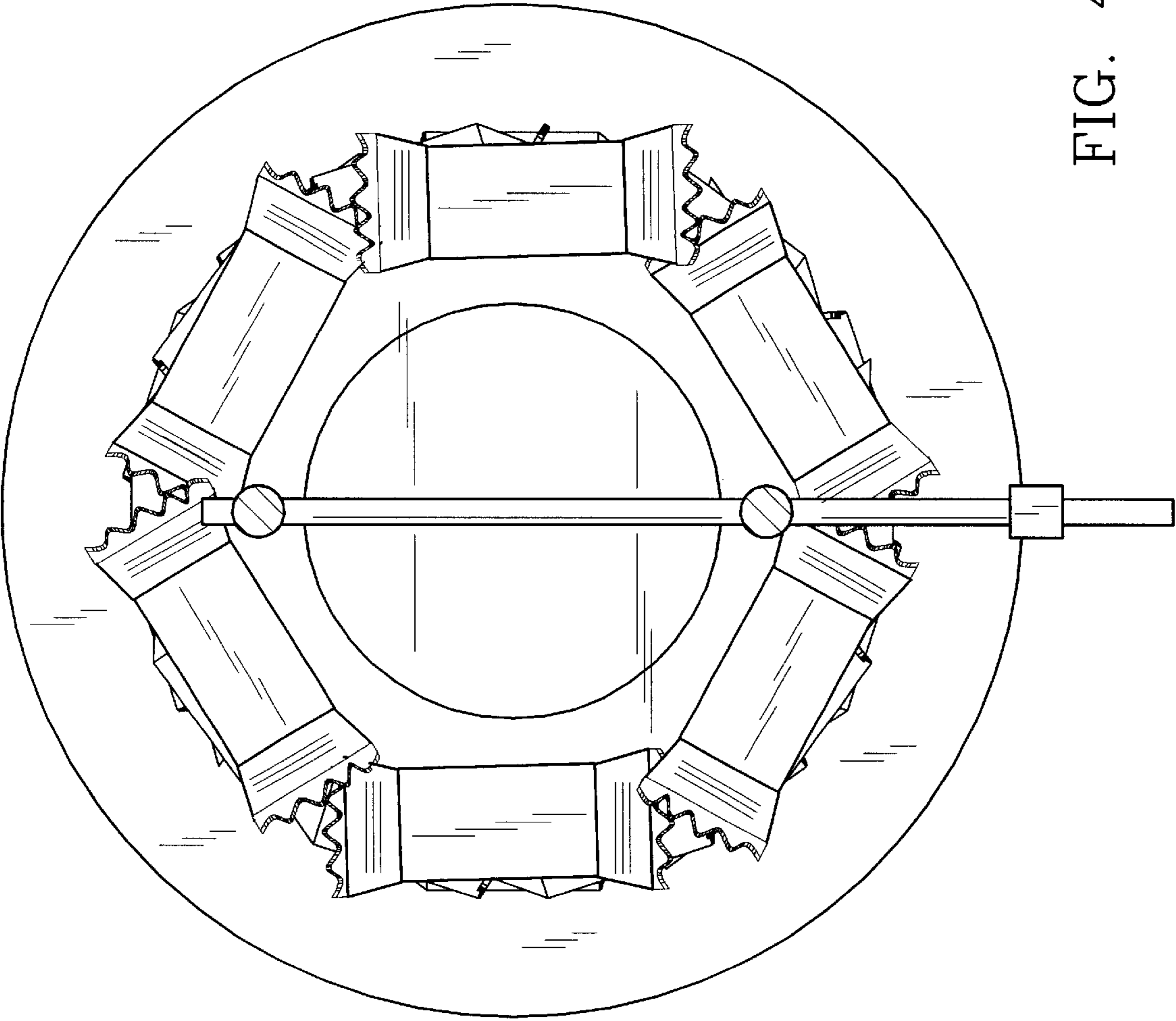


FIG. 4

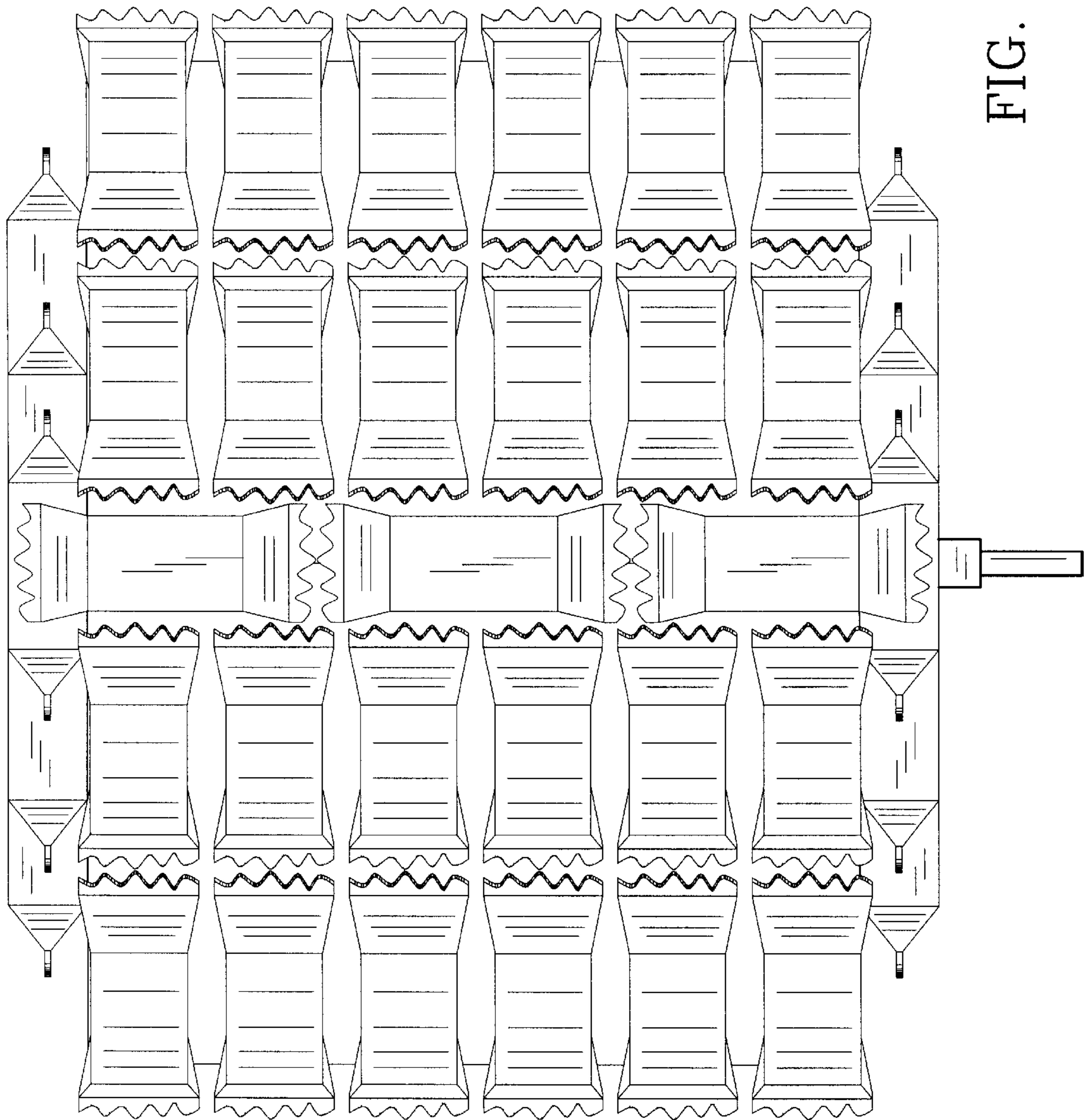


FIG. 5

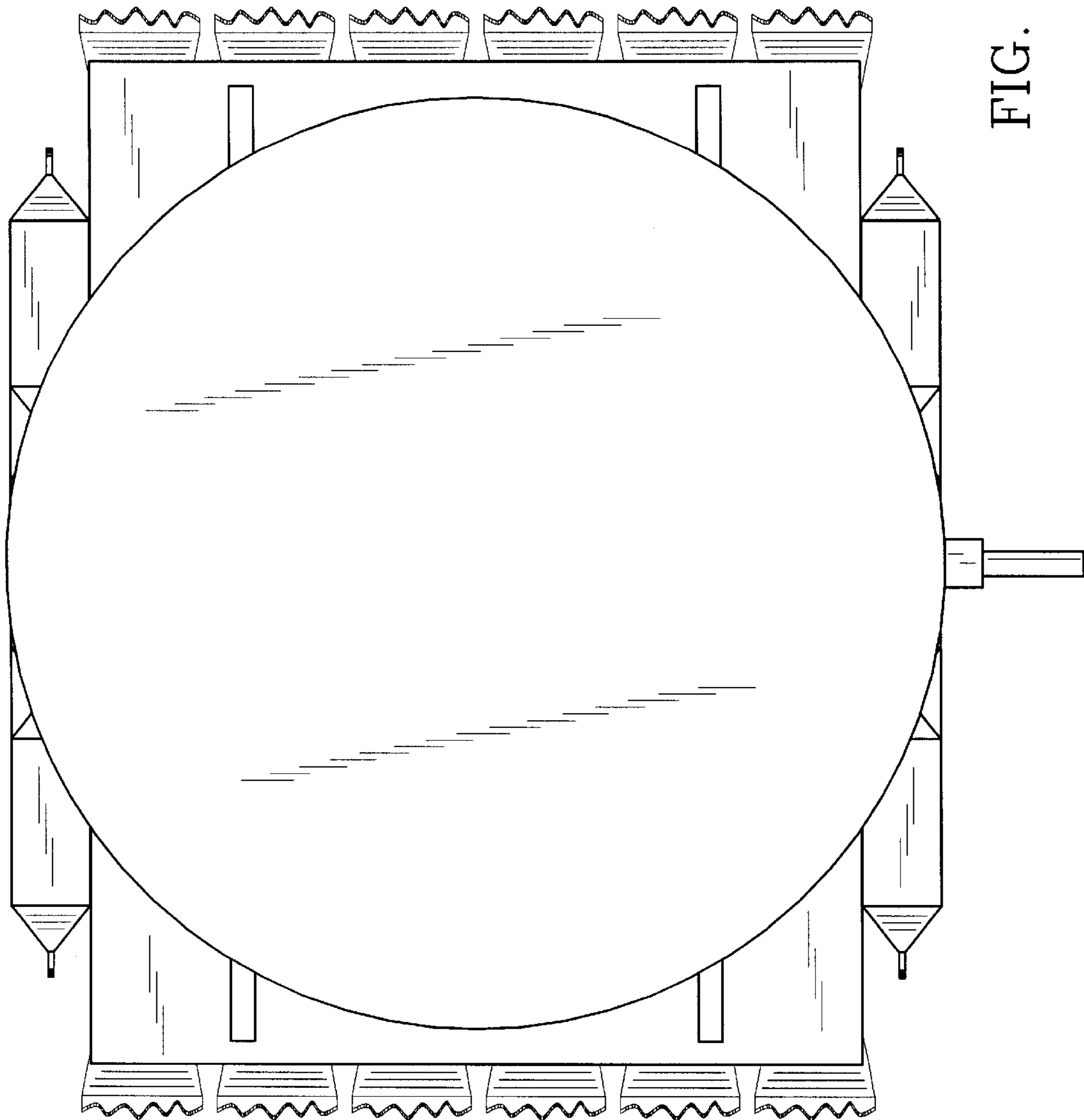


FIG. 6

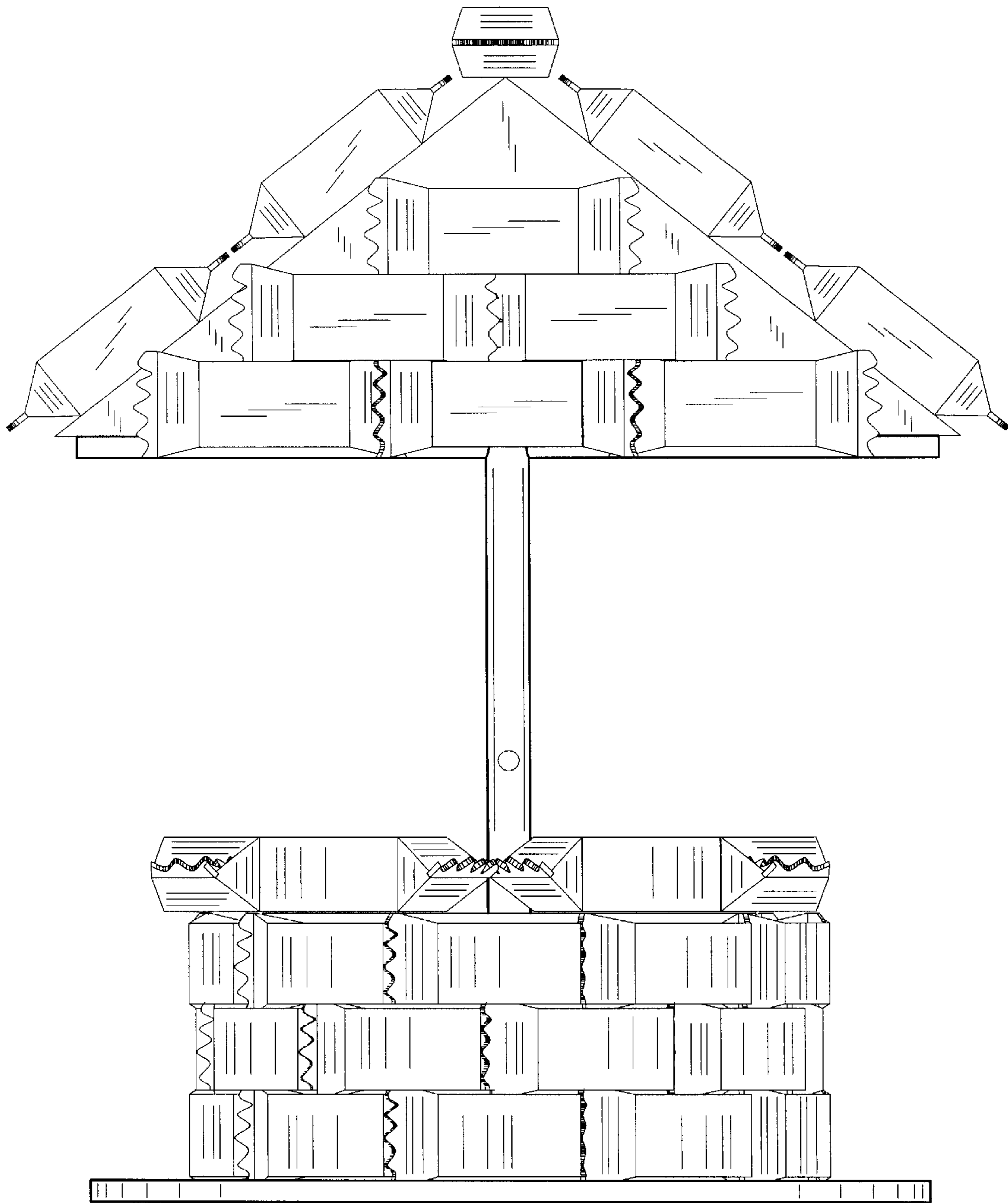


FIG. 7