



US00D510784S

(12) **United States Design Patent**
Van Landingham, Jr.

(10) **Patent No.:** **US D510,784 S**
(45) **Date of Patent:** **** Oct. 18, 2005**

(54) **HANDLE**

(75) **Inventor:** **Alfred Reneau Van Landingham, Jr.,**
Stephens City, VA (US)

(73) **Assignee:** **Rubbermaid Commercial Products**
LLC, Winchester, VA (US)

(**) **Term:** **14 Years**

(21) **Appl. No.:** **29/175,562**

(22) **Filed:** **Feb. 7, 2003**

(51) **LOC (8) Cl.** **12-02**

(52) **U.S. Cl.** **D34/27**

(58) **Field of Search** D34/12-27; 280/33.992,
280/47.34, 47.35, 33.995, 33.993

(56) **References Cited**

U.S. PATENT DOCUMENTS

D275,044 S	*	8/1984	Hampshire et al.	D34/21
4,763,799 A	*	8/1988	Cohn et al.	211/187
D361,190 S	*	8/1995	Gingras et al.	D34/27
D374,323 S	*	10/1996	Carlson et al.	D34/27
D381,168 S	*	7/1997	Delmerico et al.	D34/21
D391,032 S	*	2/1998	Delmerico	D34/21
D457,704 S	*	5/2002	Fiscus et al.	D34/20
D485,037 S	*	1/2004	Presnell et al.	D34/21

OTHER PUBLICATIONS

Rubbermaid Commercial Products—Material Handling,
<http://www.rubbermaidcommercial.com/user/pages/products.jsp?subSubCatID=1943610107&subCatID=144>.

Rubbermaid Commercial Products—Material Handling,
<http://www.rubbermaidcommercial.com/user/pages/products.jsp?rcpno=4520>.

* cited by examiner

Primary Examiner—Cynthia E. Ramirez

(74) *Attorney, Agent, or Firm*—Foley & Lardner LLP

(57) **CLAIM**

The ornamental design for a handle, as shown and described.

DESCRIPTION

FIG. 1 is an illustrative frontal perspective view of a handle according to my new design;

FIG. 2 is a front elevation view of the handle shown in FIG. 1, the rear elevation view is flat and unornamented;

FIG. 3 is a top plan view of the handle shown in FIG. 1;

FIG. 4 is a bottom plan view of the handle shown in FIG. 1;

FIG. 5 is a right side elevation view of the handle shown in FIG. 1;

FIG. 6 is left side elevation view of the handle shown in FIG. 1; and,

FIG. 7 is an illustrative right side view of the handle shown in FIG. 1.

The ornamental design which is claimed is shown in solid lines in the drawings. Any broken lines in the drawings are for illustrative purposes only and form no part of the claimed design.

1 Claim, 5 Drawing Sheets

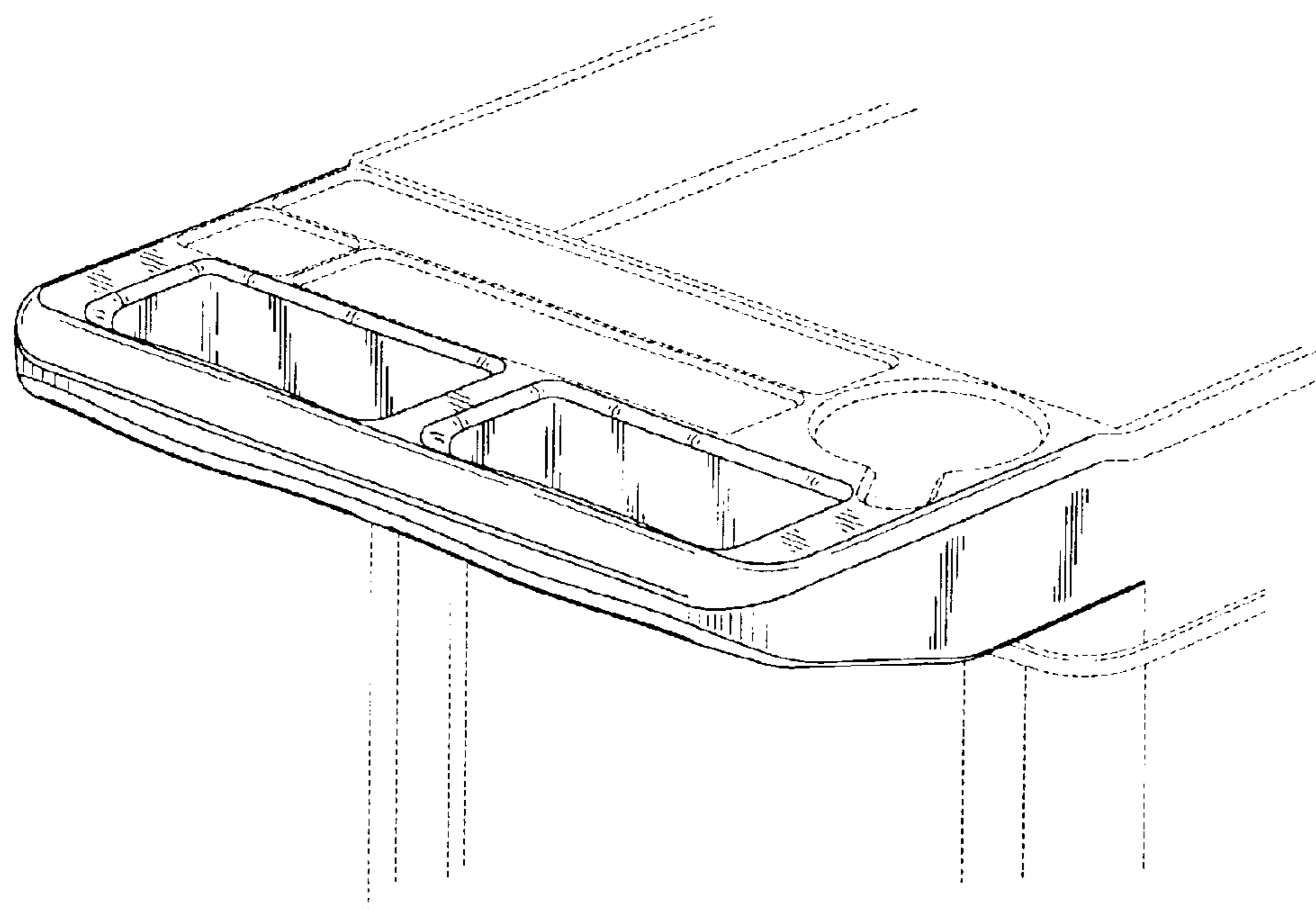


Fig. 1

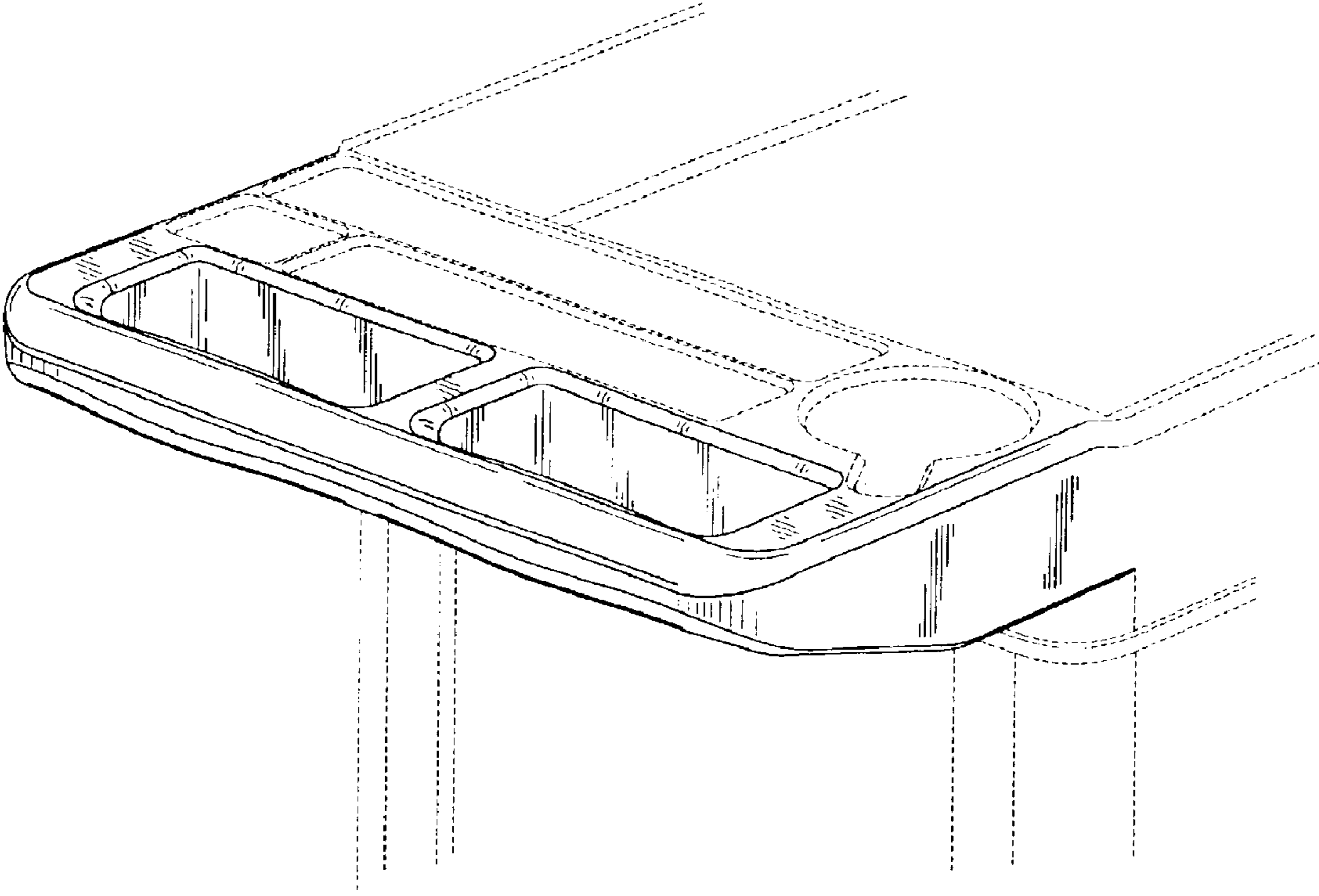


Fig. 2

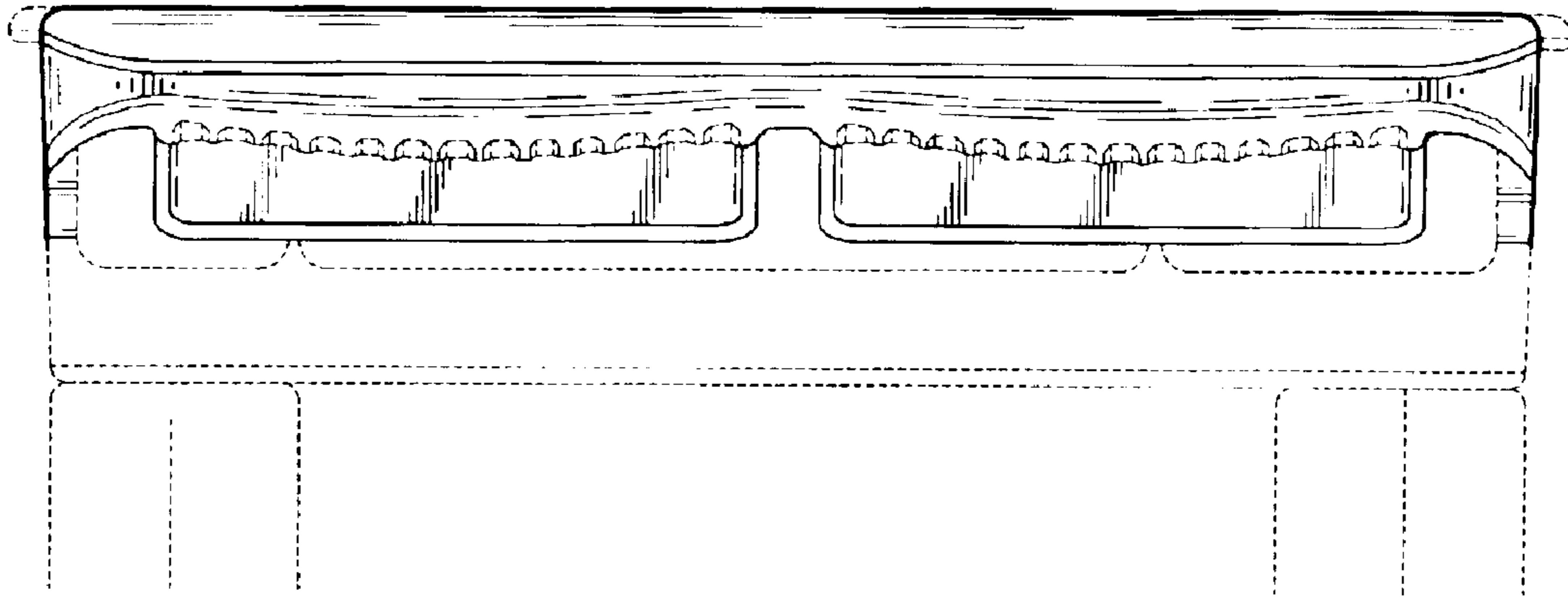


Fig. 3

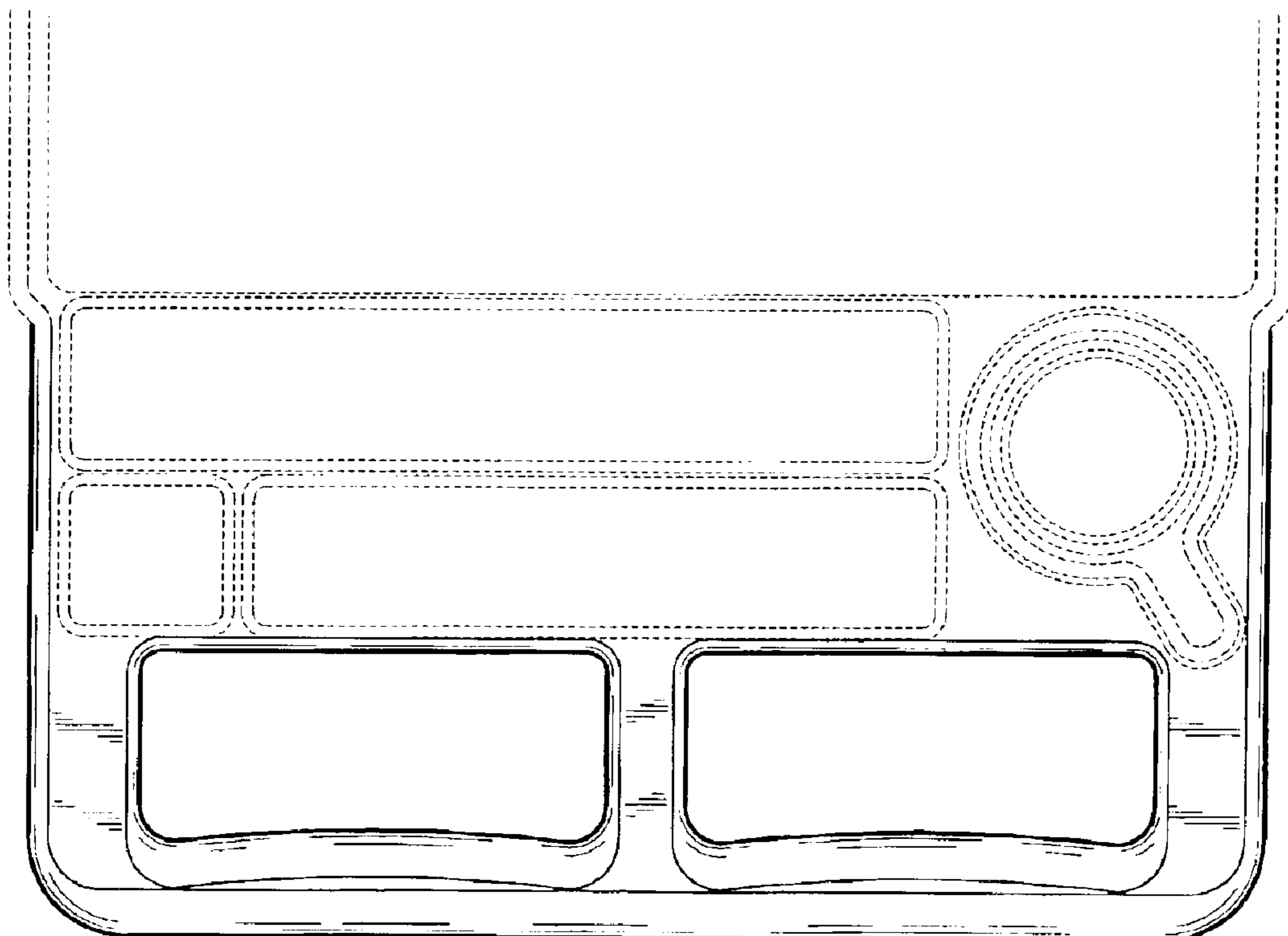


Fig. 4

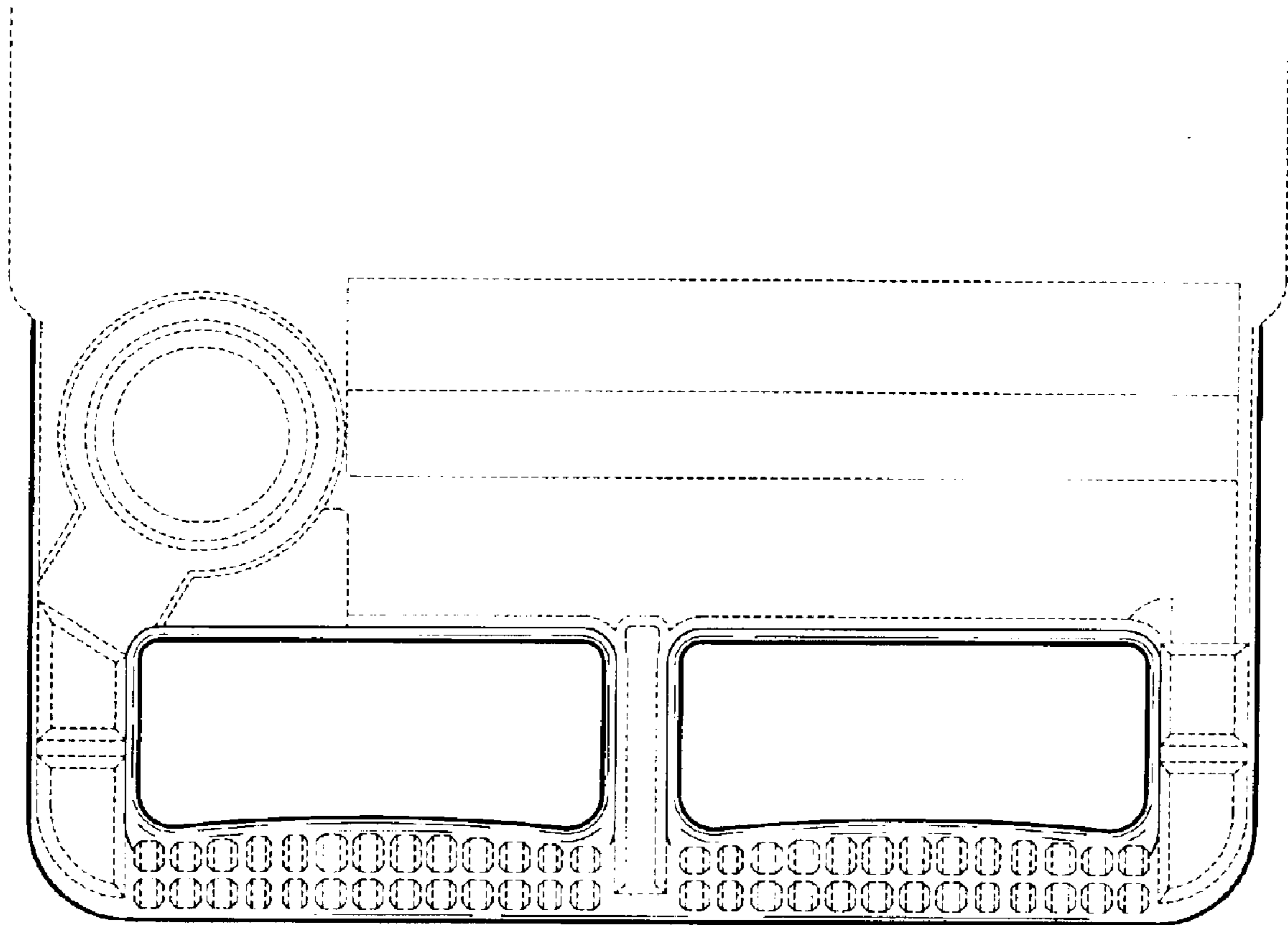


Fig. 5

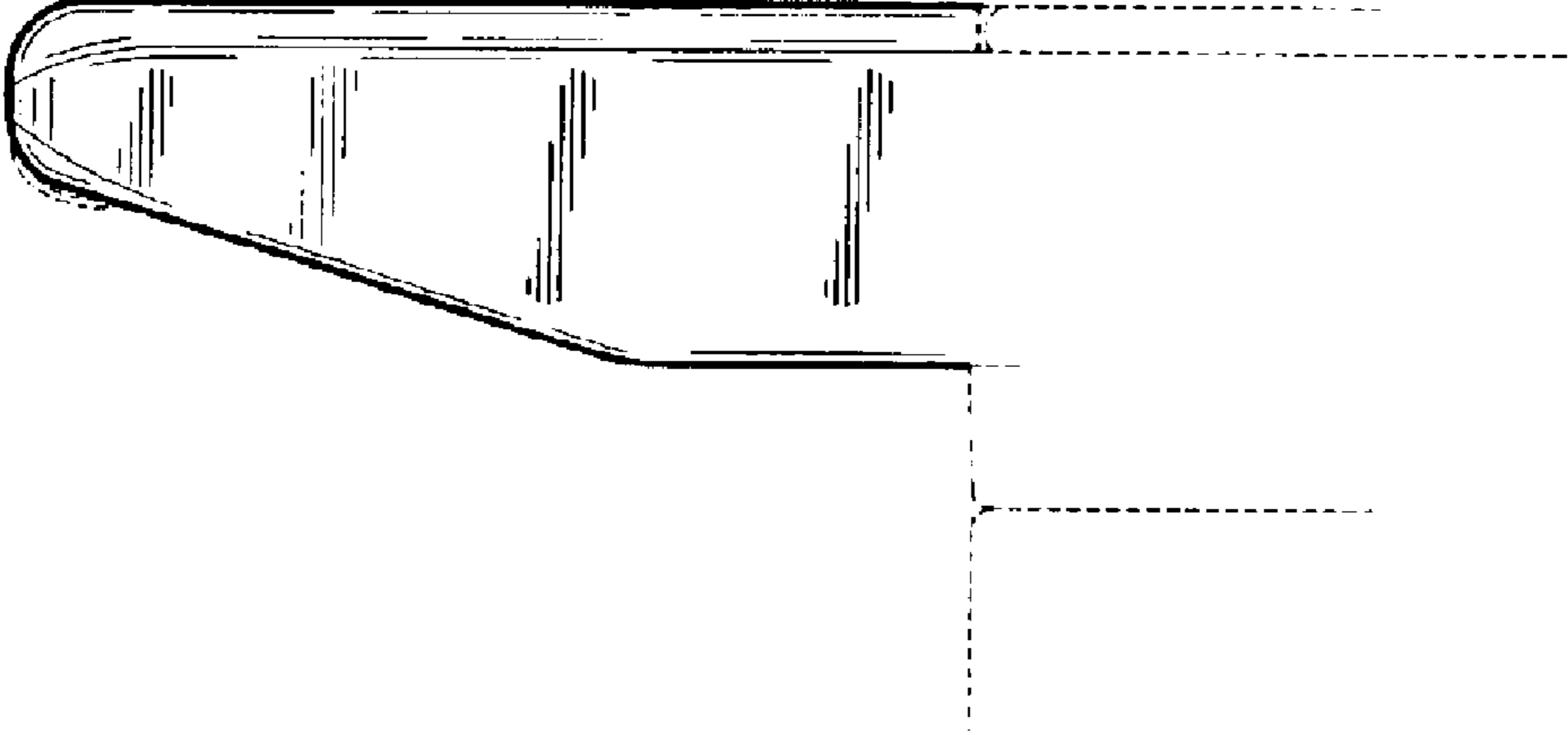


Fig. 6

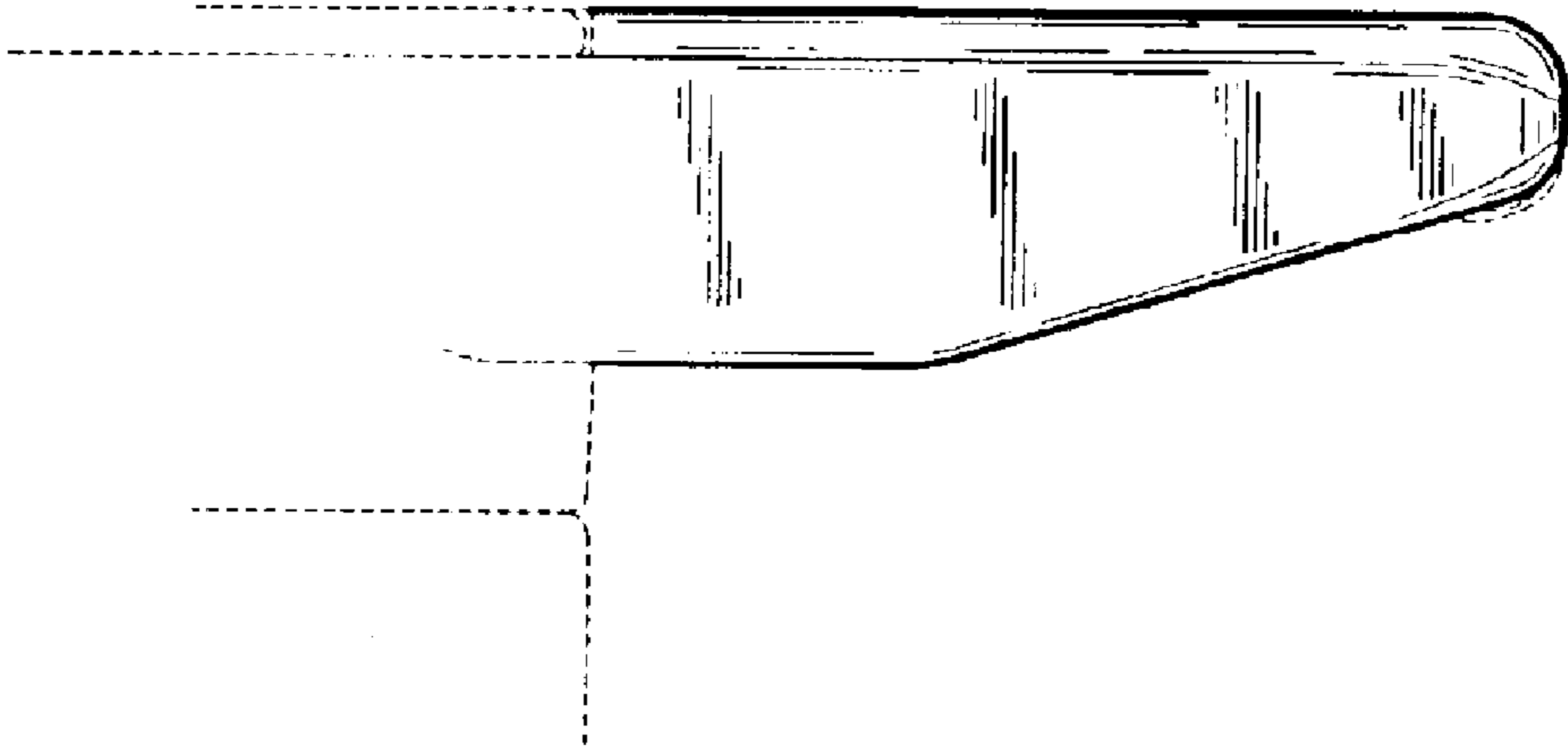


Fig. 7

