



US00D510783S

(12) **United States Design Patent**  
**Tash**

(10) **Patent No.:** **US D510,783 S**  
(45) **Date of Patent:** **\*\* Oct. 18, 2005**

(54) **PIPE FLUSHING DEVICE FOR LARGE DRAINS**

4,372,003 A \* 2/1983 Toelke ..... 15/104.05

\* cited by examiner

(75) Inventor: **George Tash**, Somis, CA (US)

*Primary Examiner*—Robert A. Delehanty

(73) Assignee: **Tash Family Trust**, Somis, CA (US)

(74) *Attorney, Agent, or Firm*—Lyon & Harr, LLP; Richard T. Lyon

(\*\*) Term: **14 Years**

(57) **CLAIM**

(21) Appl. No.: **29/181,450**

The ornamental design for a pipe flushing device for large drains, as shown and described.

(22) Filed: **May 9, 2003**

**DESCRIPTION**

(51) **LOC (8) Cl.** ..... **15-05**

(52) **U.S. Cl.** ..... **D32/14**

(58) **Field of Search** ..... D32/14, 25; 4/255.01, 4/255.05, 255.11; 137/15.07; 134/168 R, 168 C, 167 C, 166 C; 15/104.05, 104.062, 104.31

FIG. 1 is a perspective view of the flushing device with the top pointed down showing my new design;

FIG. 2 is a perspective view of the flushing device with the top pointed up;

FIG. 3 is a top plain view thereof; and,

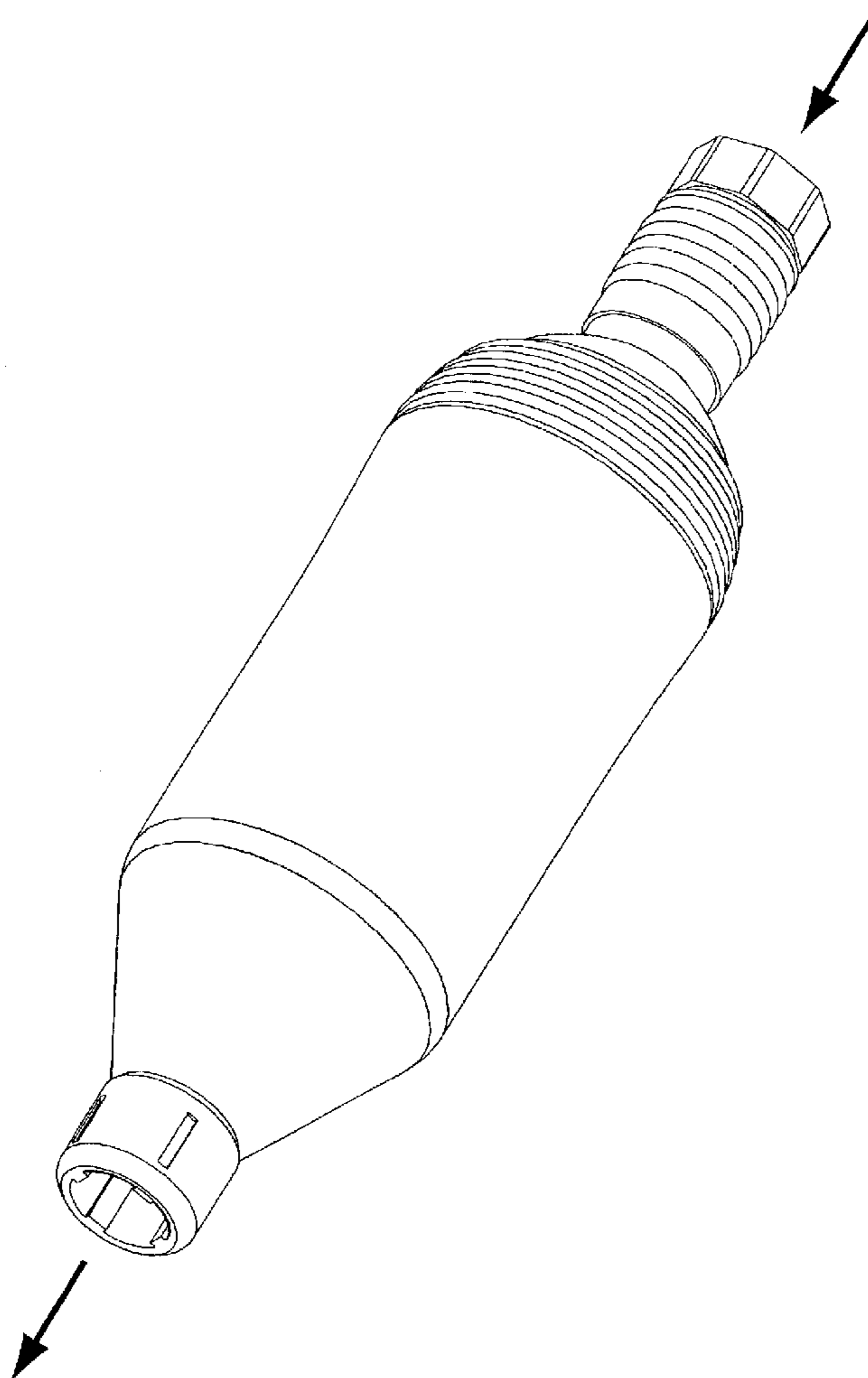
FIG. 4 is a bottom plain view thereof.

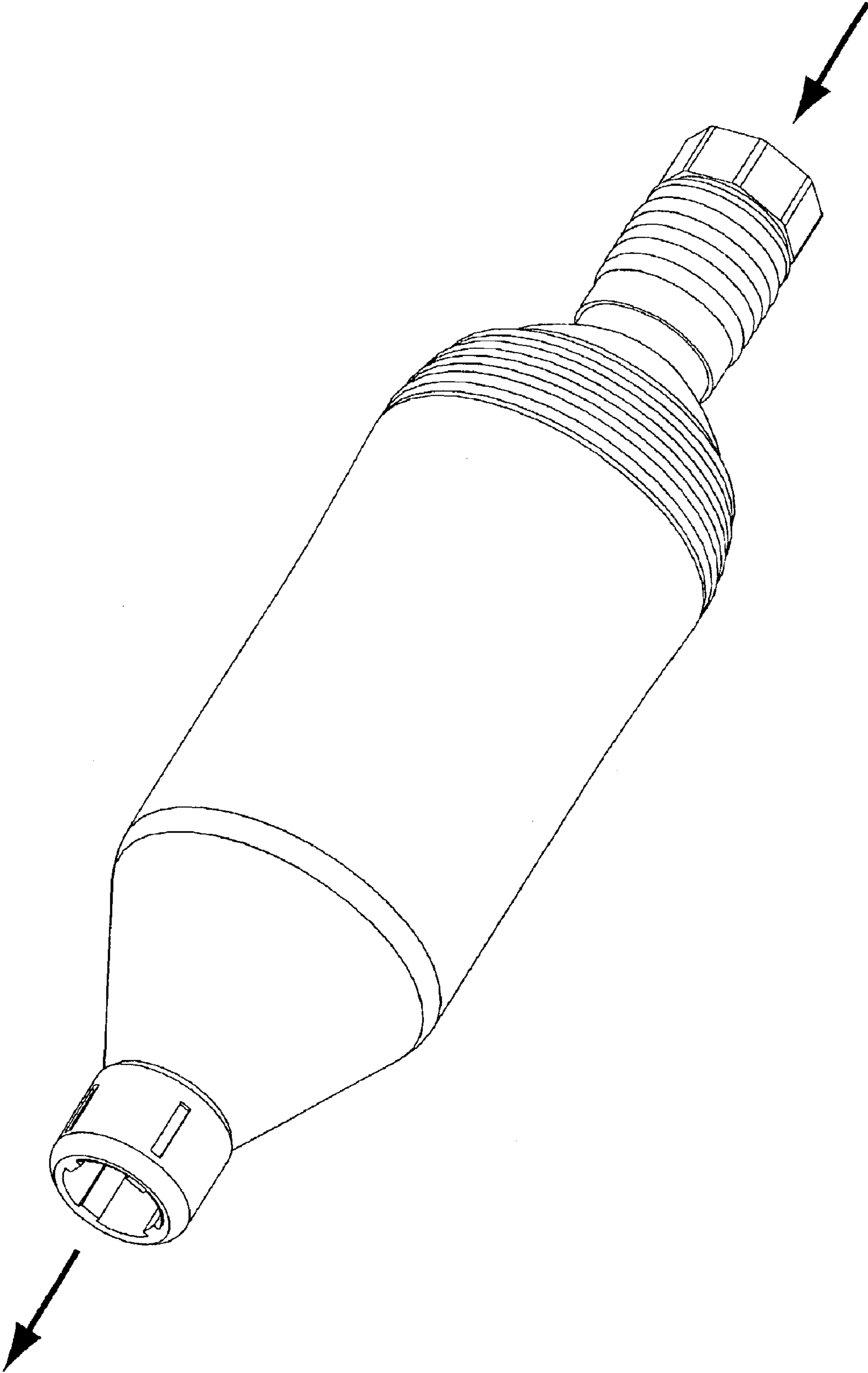
(56) **References Cited**

**U.S. PATENT DOCUMENTS**

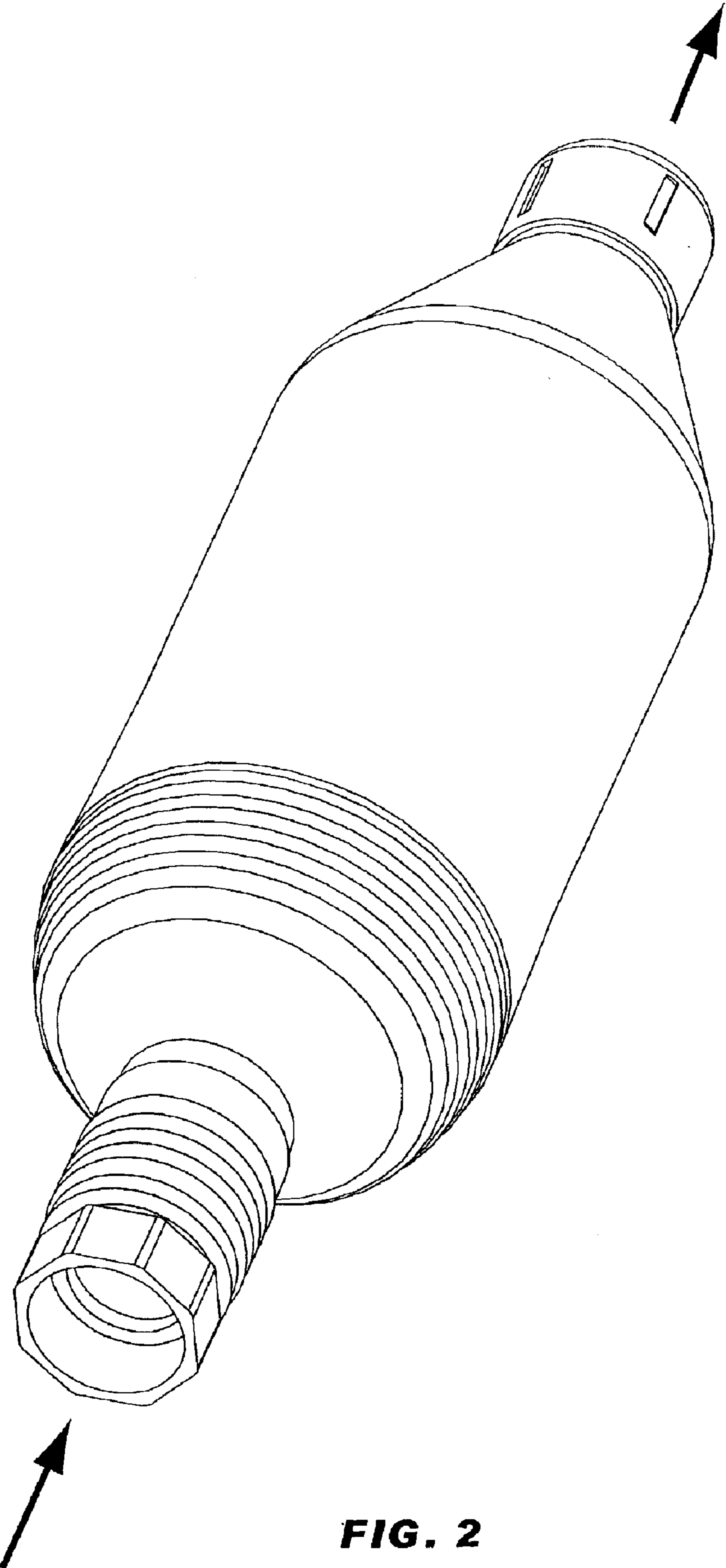
4,135,949 A \* 1/1979 Reese ..... 15/104.062

**1 Claim, 3 Drawing Sheets**

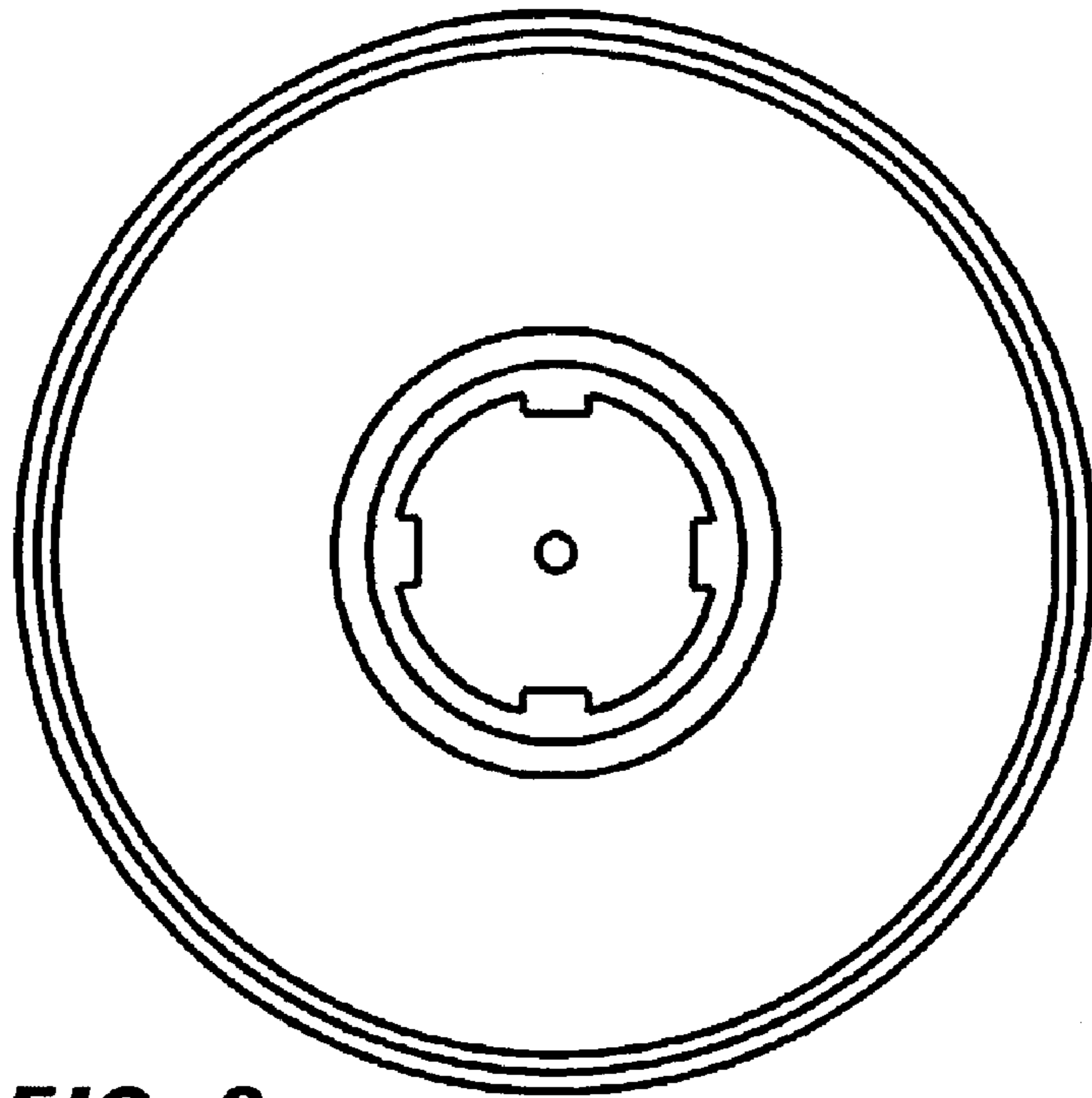




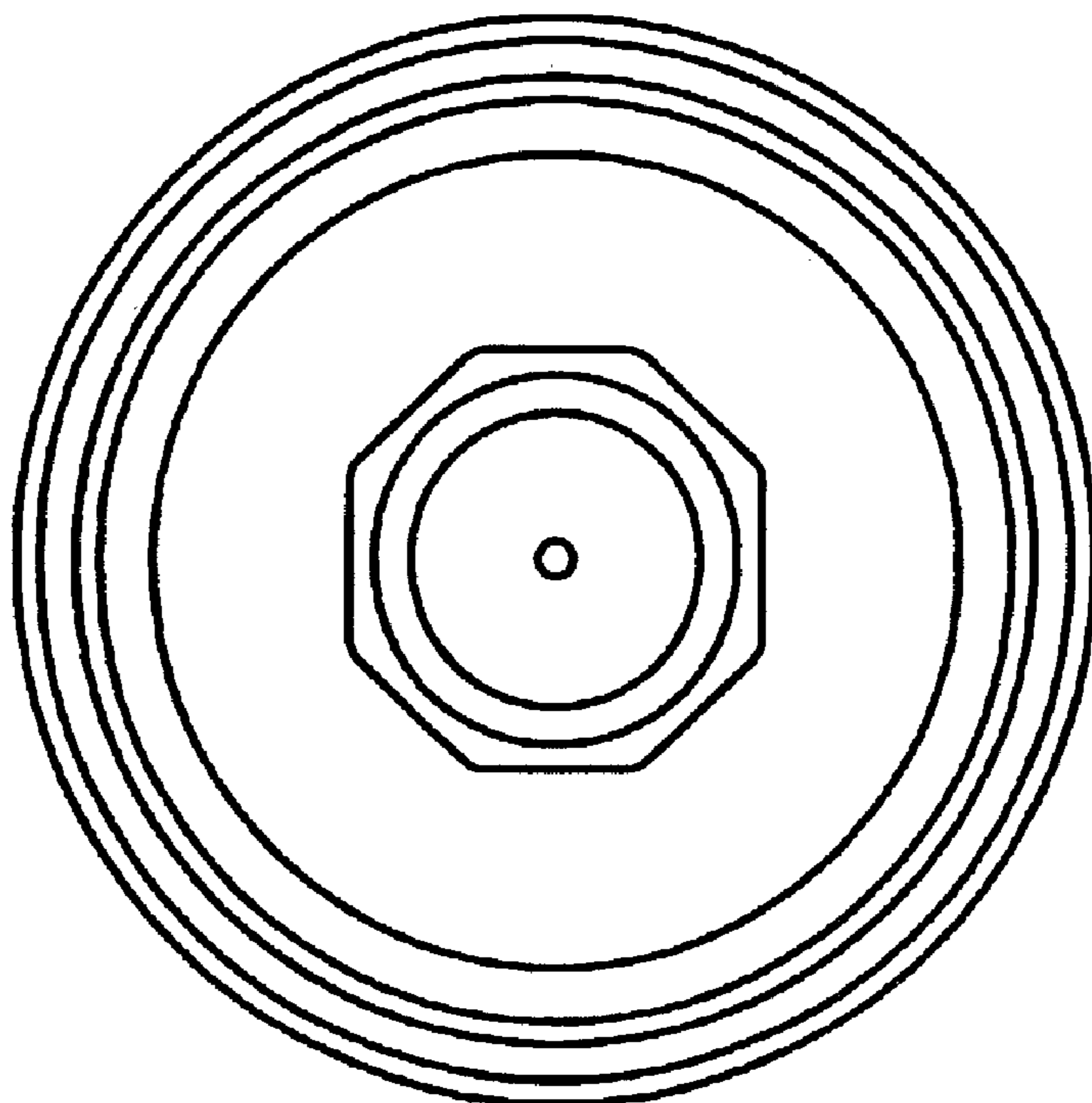
**FIG. 1**



**FIG. 2**



**FIG. 3**



**FIG. 4**