



US00D510782S

(12) **United States Design Patent**
Boler

(10) **Patent No.:** **US D510,782 S**
(45) **Date of Patent:** **** Oct. 18, 2005**

(54) **MULTI-FUNCTIONAL AUTO DETAILING SYSTEM**

(76) **Inventor:** **Lewyn B. Boler**, 1929 W. Lincoln Rd., Stockton, CA (US) 94207

(**) **Term:** **14 Years**

(21) **Appl. No.:** **29/181,708**

(22) **Filed:** **May 14, 2003**

(51) **LOC (8) Cl.** **15-05**

(52) **U.S. Cl.** **D32/4**

(58) **Field of Search** D32/4, 15, 21, D32/25; 15/97.3, 53.1, 321; 134/45, 123, 56 R, 58 R

(56) **References Cited**

U.S. PATENT DOCUMENTS

3,189,930 A	6/1965	Tuthill, Jr.	
3,262,146 A *	7/1966	Hays	15/321
3,268,942 A	8/1966	Rossnan	
3,705,437 A	12/1972	Rukavina, Jr. et al.	
3,848,290 A	11/1974	Bates	
4,353,145 A	10/1982	Woodford	
4,458,377 A	7/1984	Frohbieter	
4,787,348 A *	11/1988	Taylor	134/123
4,809,397 A	3/1989	Jacobs et al.	
D352,808 S *	11/1994	McNeil	D32/21

5,485,651 A	1/1996	Payeur
5,867,857 A	2/1999	Crouser et al.
6,206,980 B1	3/2001	Robinson
6,247,202 B1	6/2001	Lesco et al.

* cited by examiner

Primary Examiner—Robert A. Delehanty
(74) *Attorney, Agent, or Firm*—James R. Cypher; Charles R. Cypher

(57) **CLAIM**

I claim the ornamental design for multi-functional auto detailing system, substantially as shown.

DESCRIPTION

FIG. 1 is a front elevation view of a multi-functional auto detailing system showing my new design.

FIG. 2 is a front elevation view thereof with control panel removed.

FIG. 3 is a right side elevation view thereof.

FIG. 4 is a left side elevation view thereof.

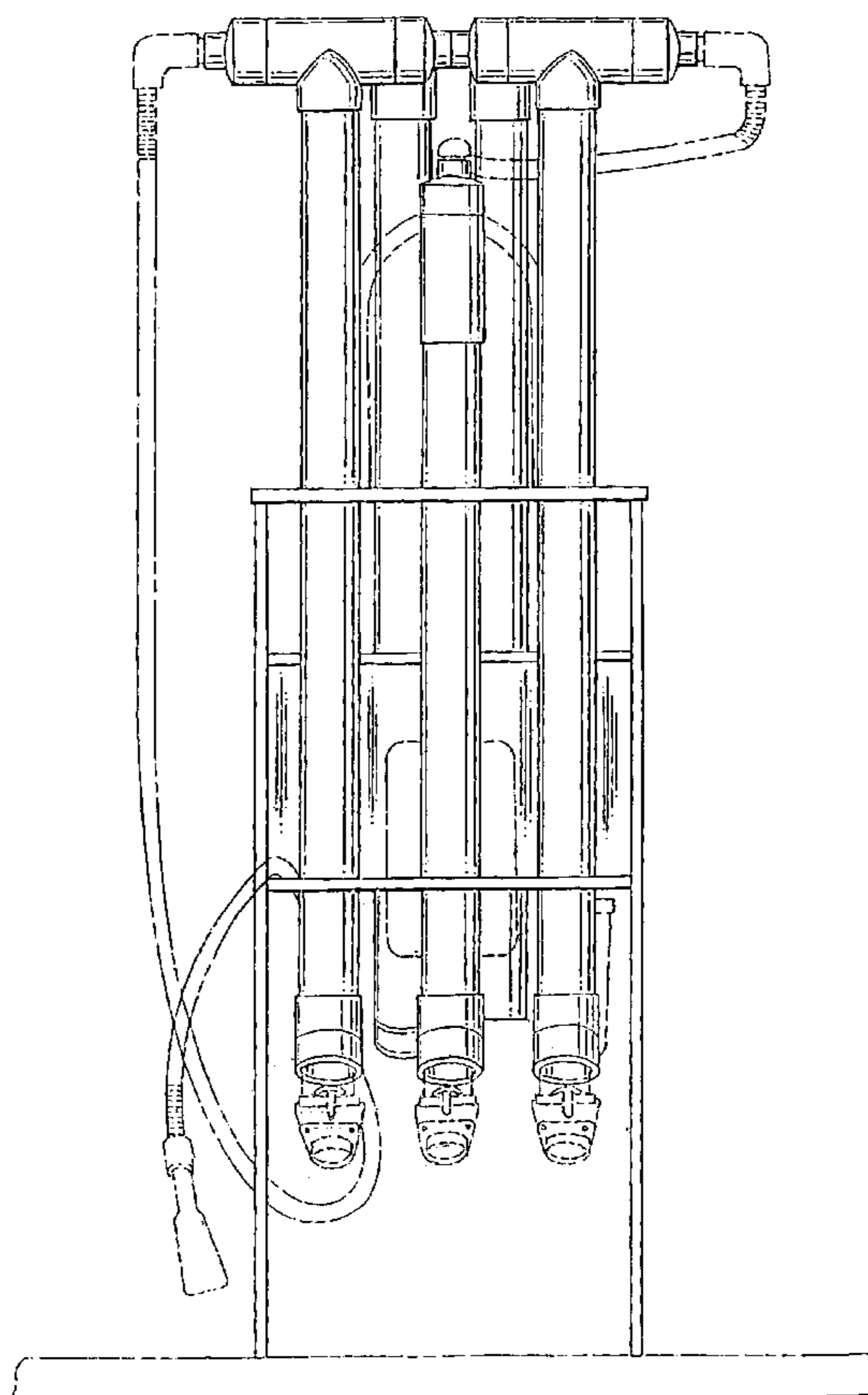
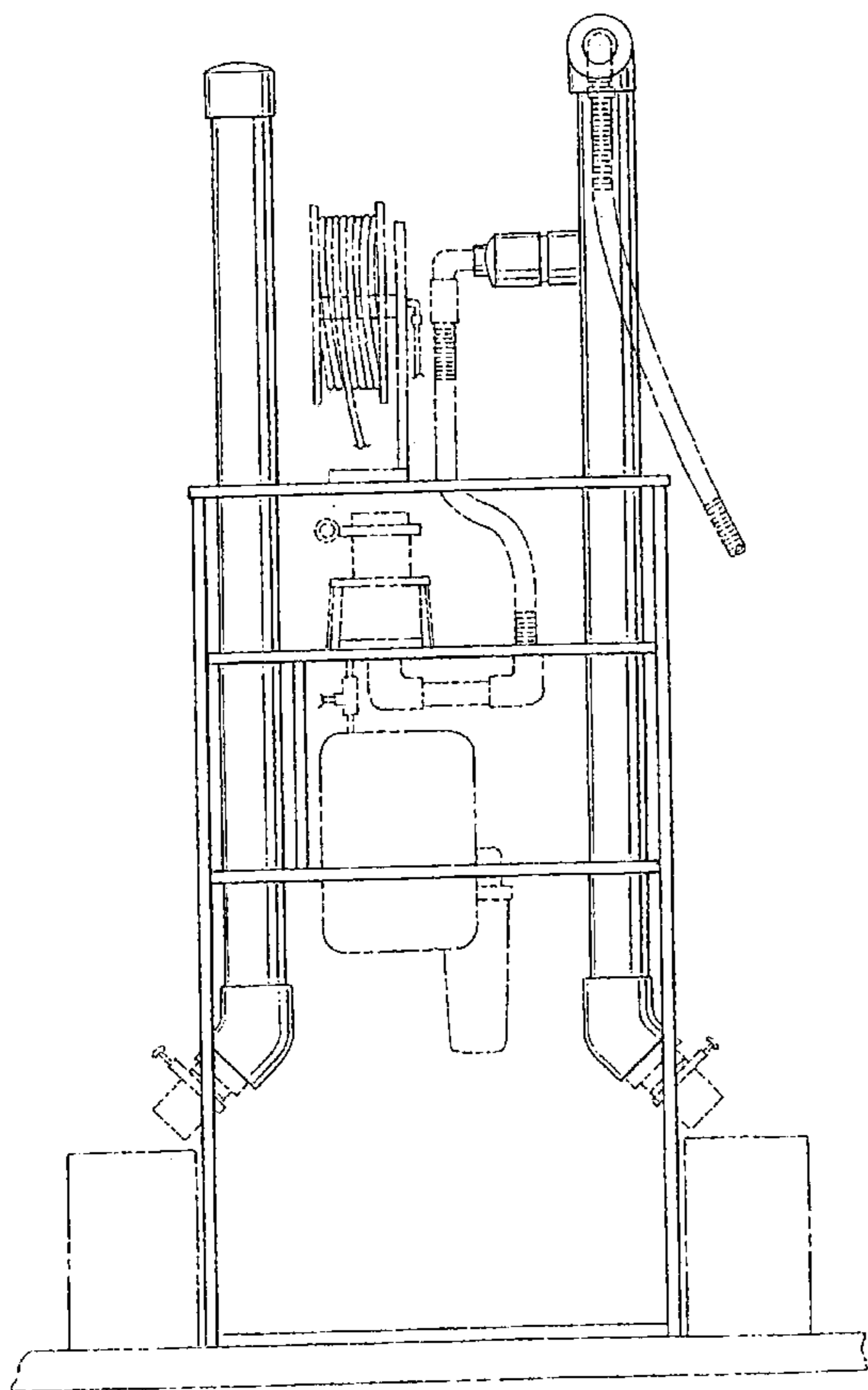
FIG. 5 is a rear elevation view thereof.

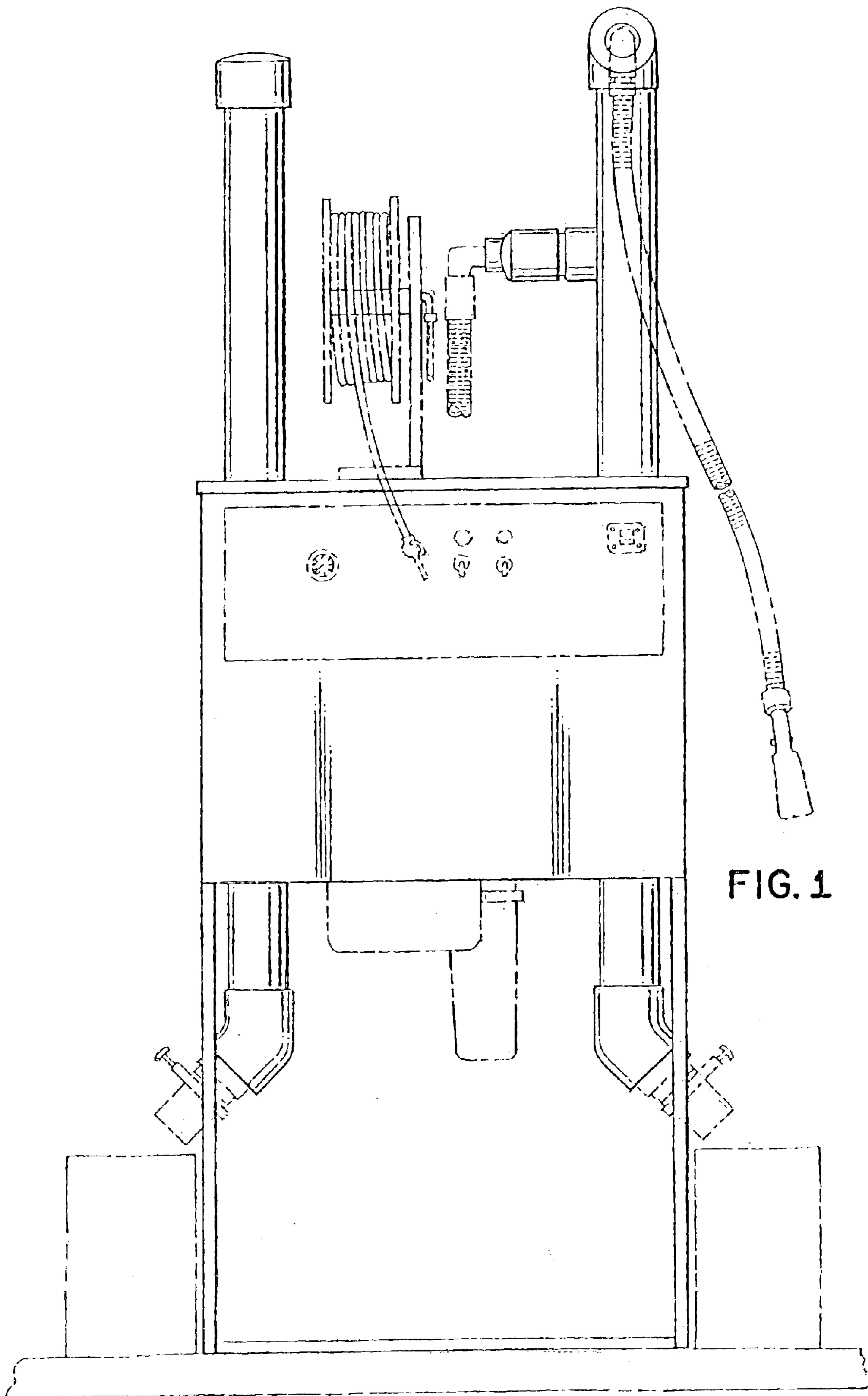
FIG. 6 is a top plan view thereof; and,

FIG. 7 is a bottom plan view thereof.

The broken lines are shown for illustrative purposes only and form no part of the design.

1 Claim, 6 Drawing Sheets





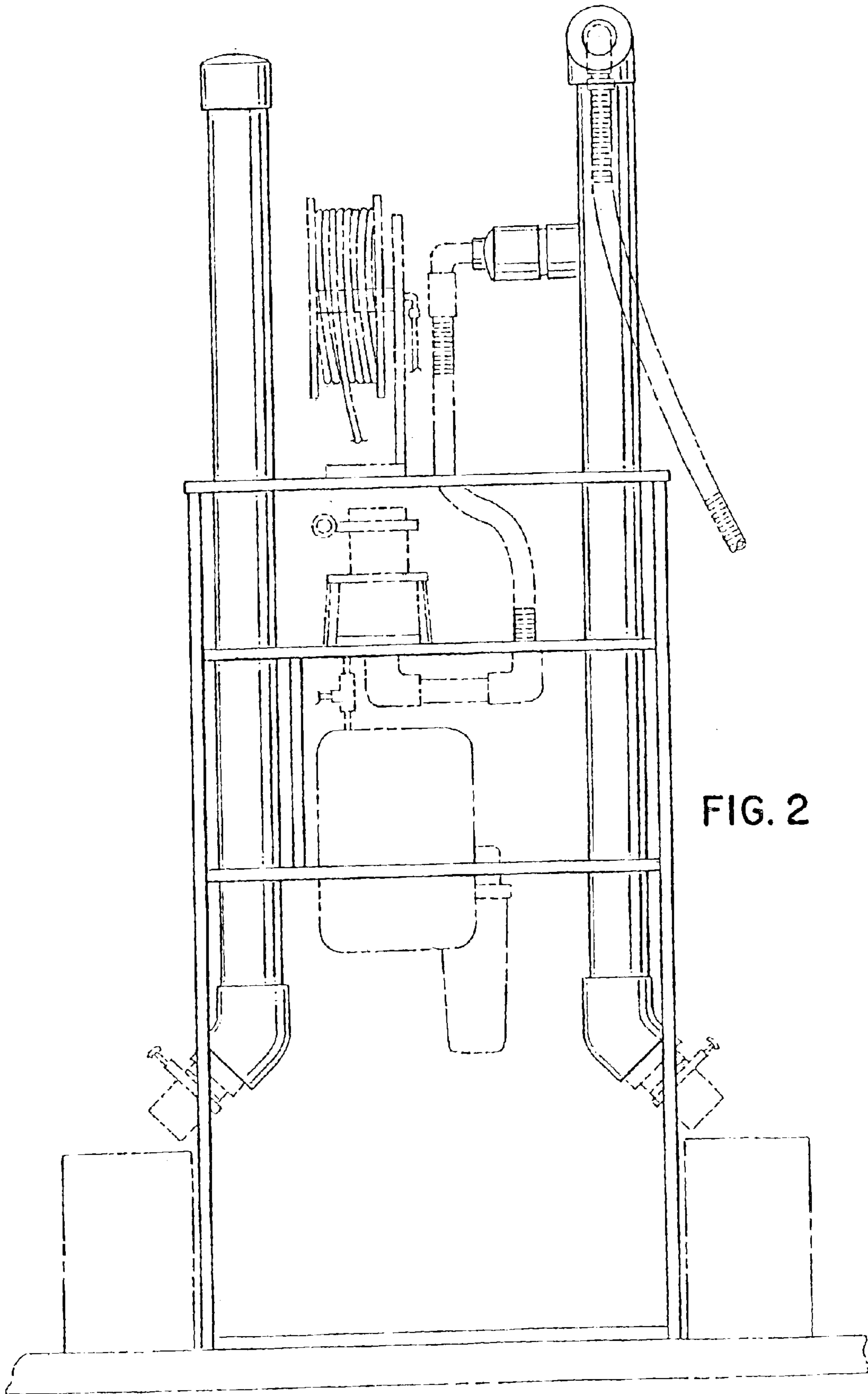


FIG. 2

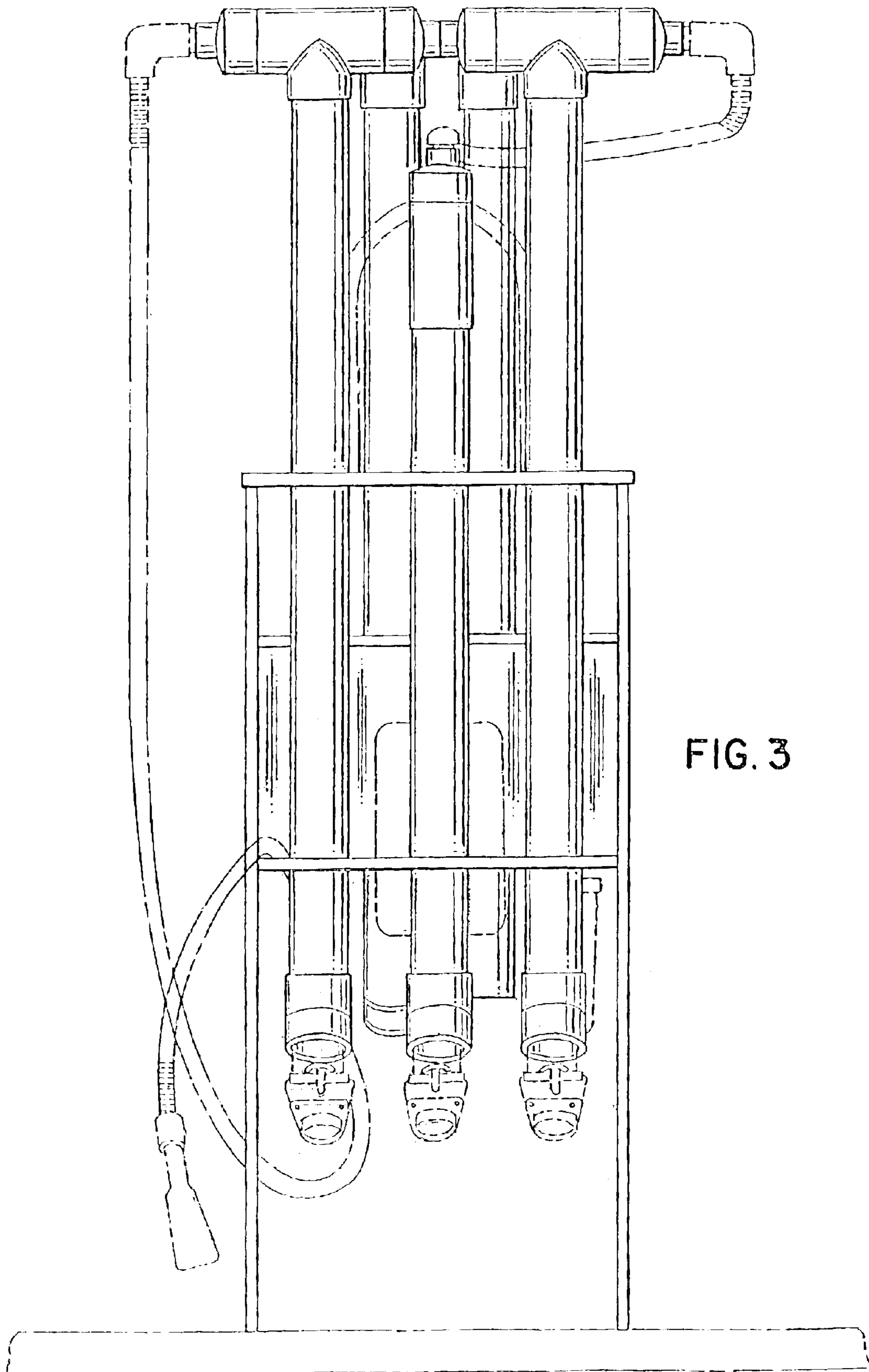


FIG. 3

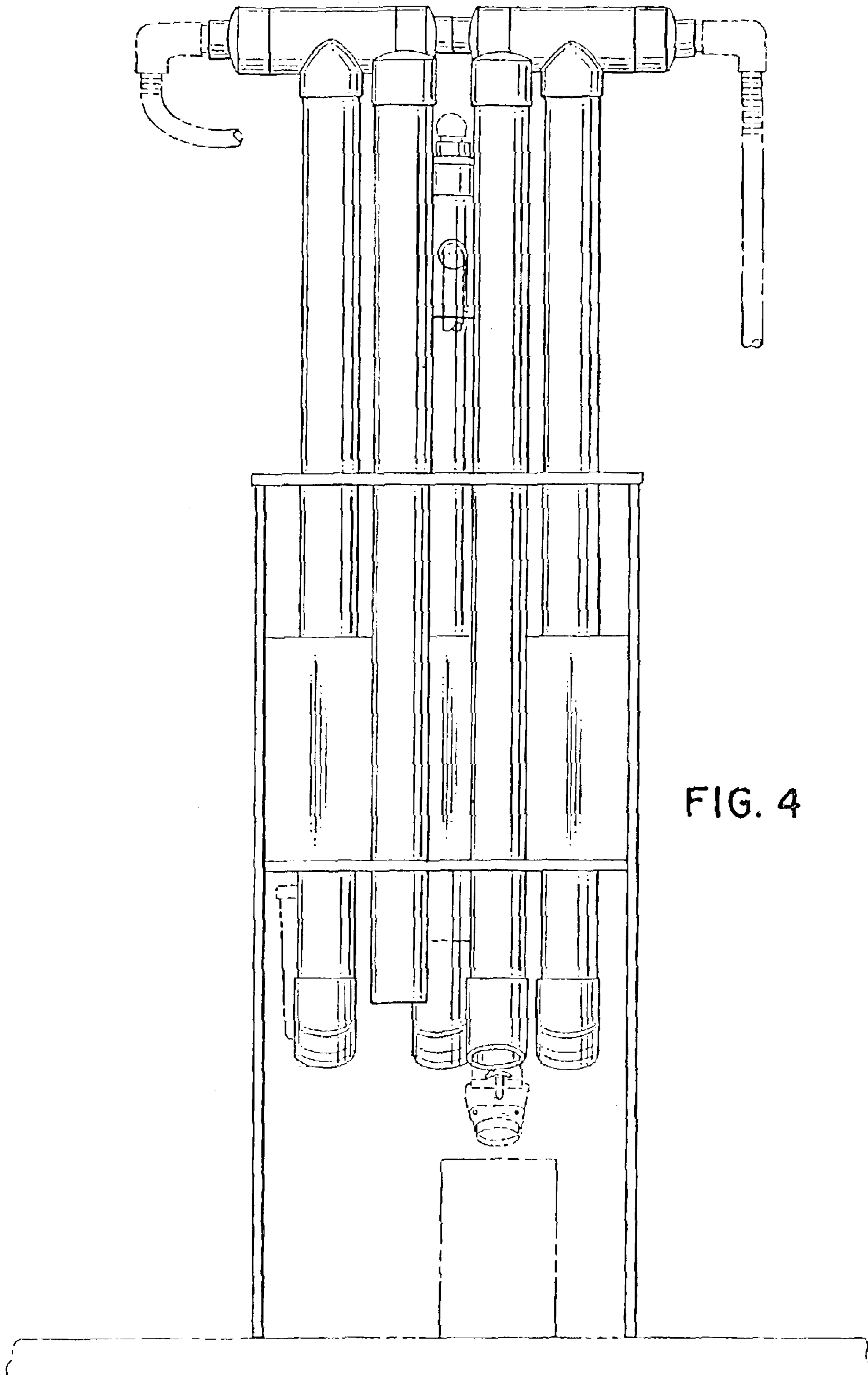


FIG. 4

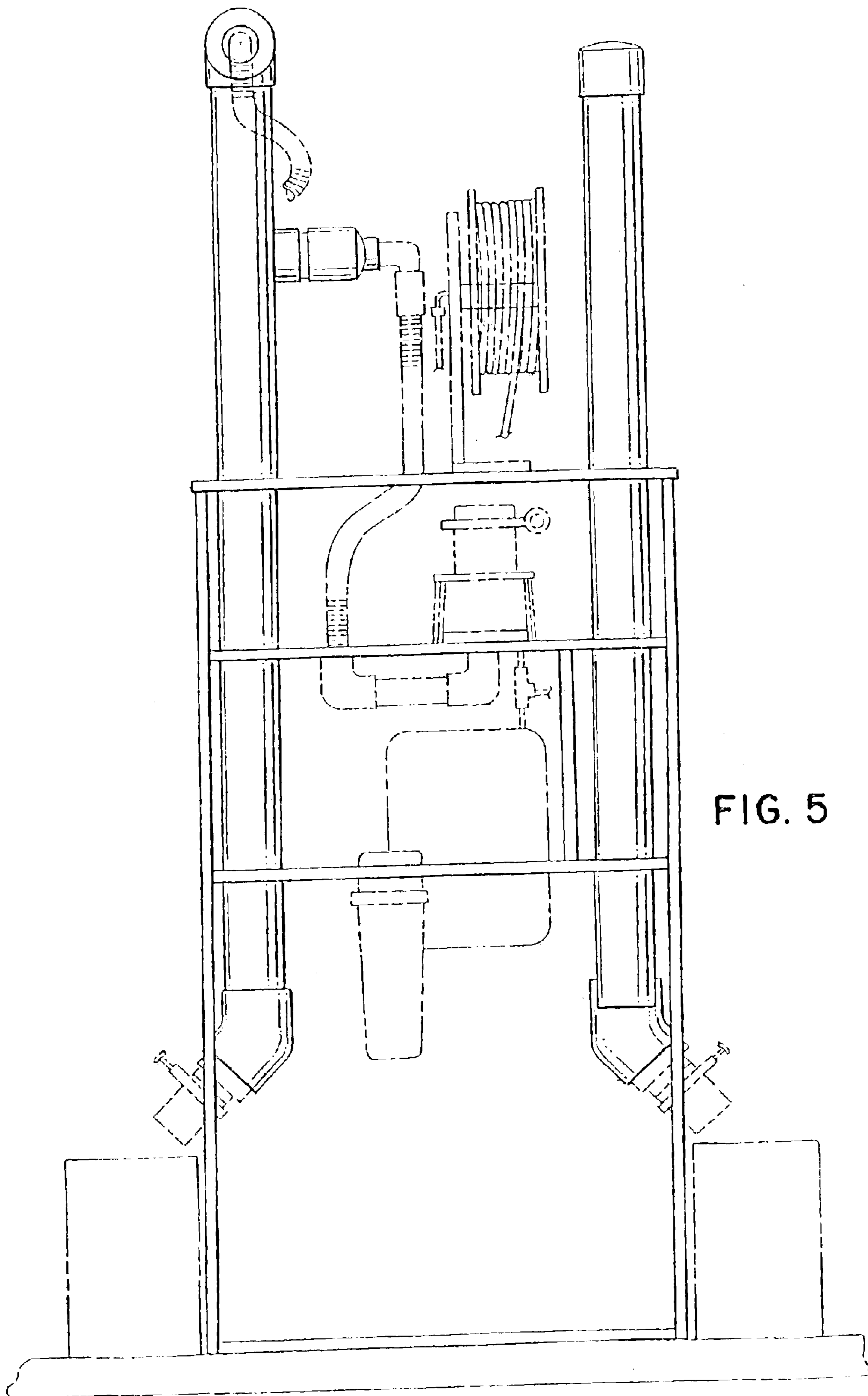


FIG. 5

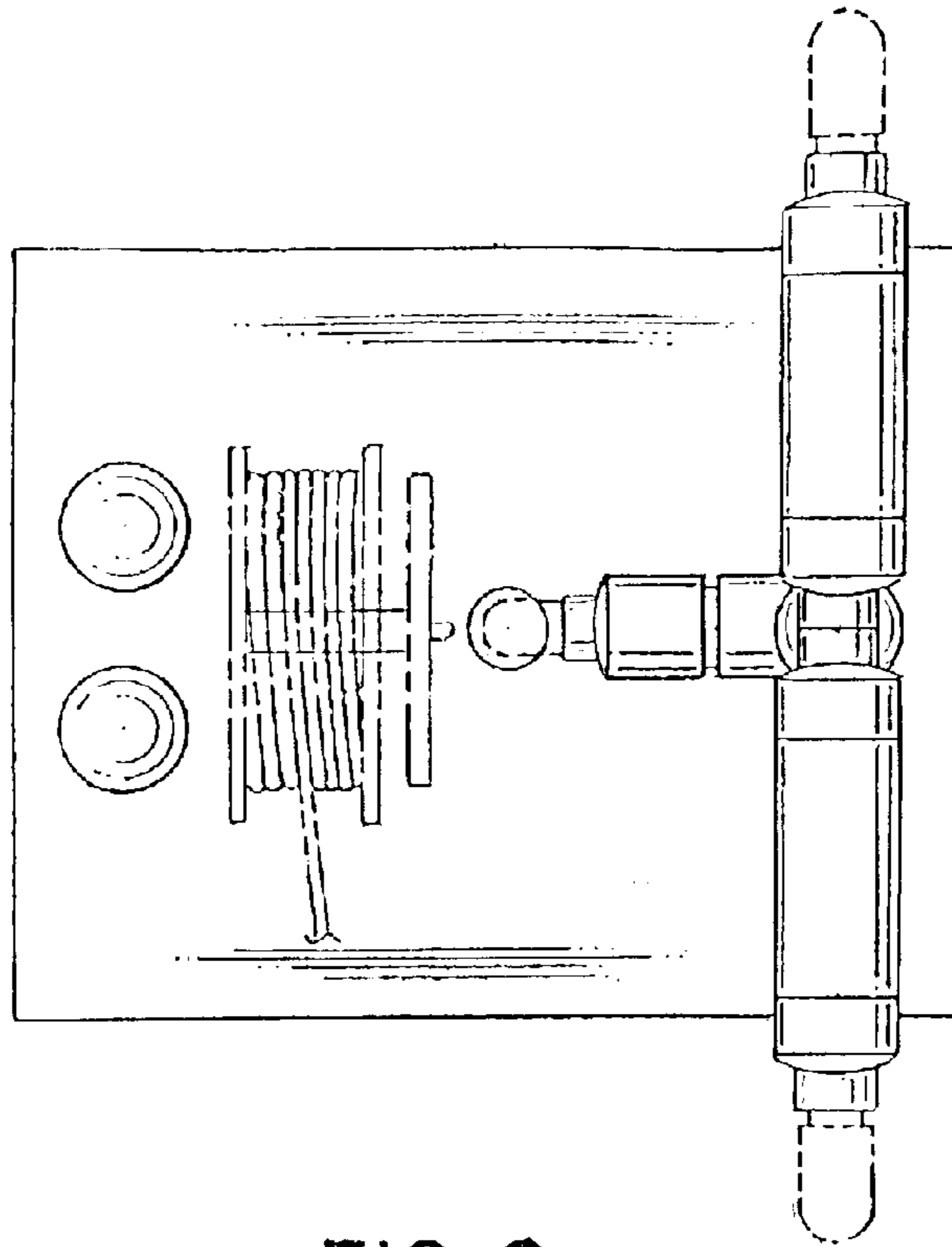


FIG. 6

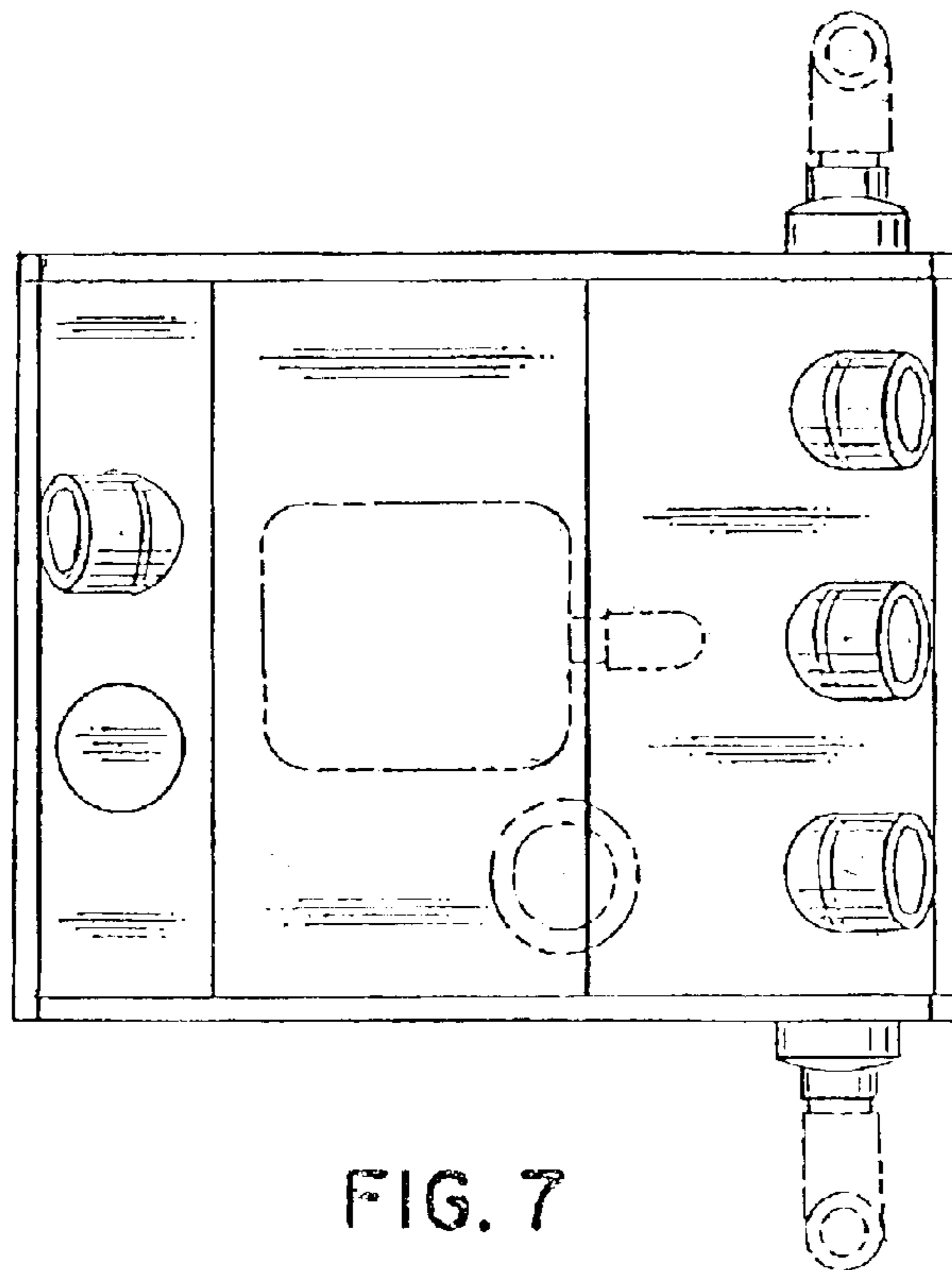


FIG. 7