



US00D510774S

(12) **United States Design Patent**
Jansson

(10) **Patent No.:** **US D510,774 S**
(45) **Date of Patent:** **** Oct. 18, 2005**

(54) **RETAINING WALL BLOCK**

(76) **Inventor:** **Jan Erik Jansson**, 7974 Etrada de Luz East, Santaluz, CA (US) 92127

(**) **Term:** **14 Years**

(21) **Appl. No.:** **29/208,636**

(22) **Filed:** **Jun. 30, 2004**

(51) **LOC (8) Cl.** **25-01**

(52) **U.S. Cl.** **D25/118**

(58) **Field of Search** D25/112-118,
D25/164, 151; D21/483-486, 499-505;
405/15-16, 284, 286; 404/34, 37-42, 44-45;
52/102, 503-505, 596-609, 612

(56) **References Cited**

U.S. PATENT DOCUMENTS

5,066,169	A	*	11/1991	Gavin et al.	405/284
D351,239	S	*	10/1994	Klenert	D25/113
D357,748	S	*	4/1995	Jansson	D25/113
D485,372	S	*	1/2004	Hartelius et al.	D25/113

* cited by examiner

Primary Examiner—Robert A. Delehanty
(74) *Attorney, Agent, or Firm*—Wood, Phillips, Katz, Clark & Mortimer

(57) **CLAIM**

The ornamental design for a retaining wall block, as shown and described.

DESCRIPTION

FIG. 1 is a perspective view of a retaining wall block showing my new design, as seen from a top, side, front vantage;

FIG. 2 is a perspective view thereof, as seen from a bottom, side, rear vantage;

FIG. 3 is a top plan thereof;

FIG. 4 is a rear elevation thereof;

FIG. 5 is a side elevation thereof, as seen from the left side shown in FIG. 1;

FIG. 6 is a side elevation thereof, as seen from the opposite side;

FIG. 7 is a front elevation thereof; and,

FIG. 8 is a bottom plan thereof.

1 Claim, 2 Drawing Sheets

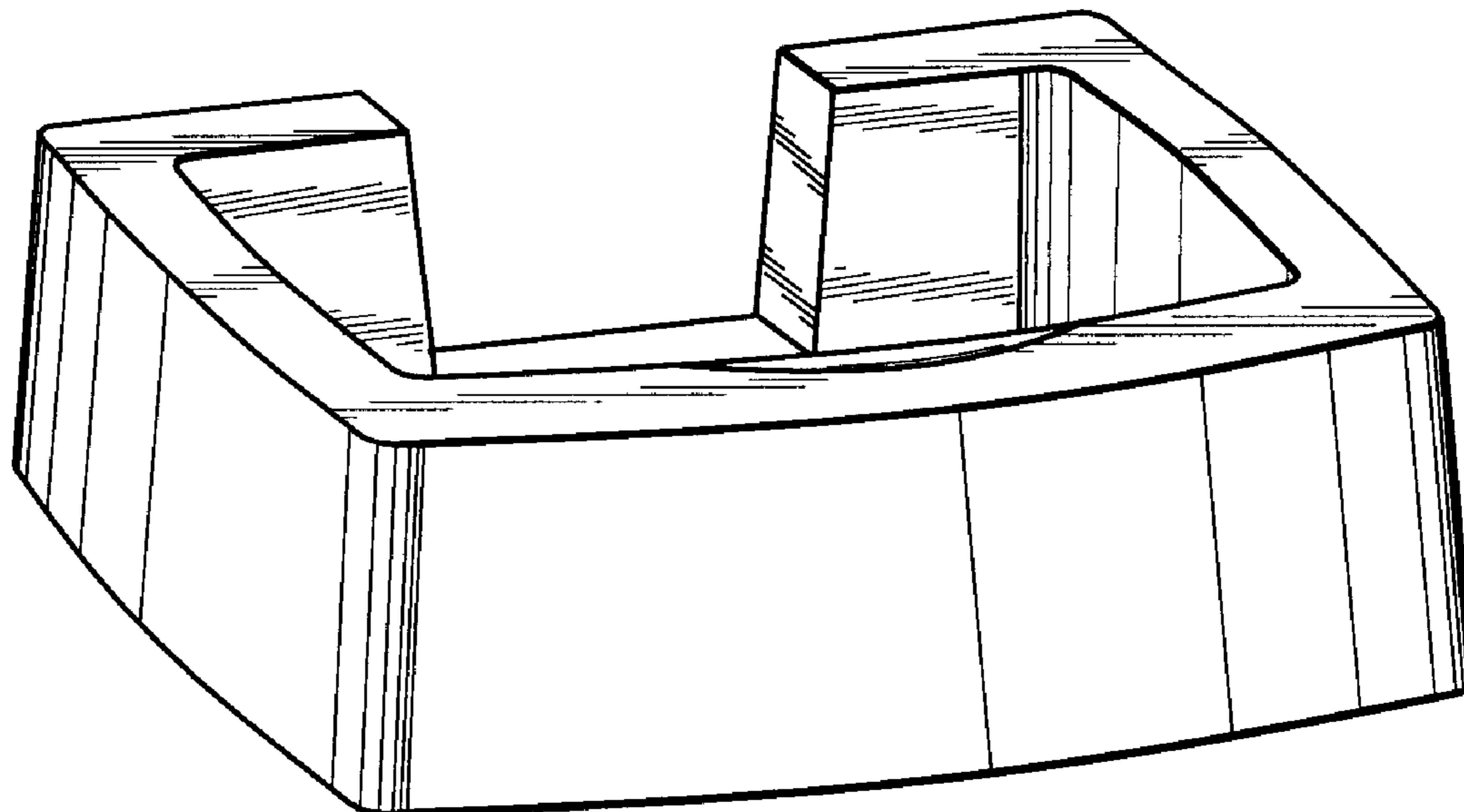


Fig. 1

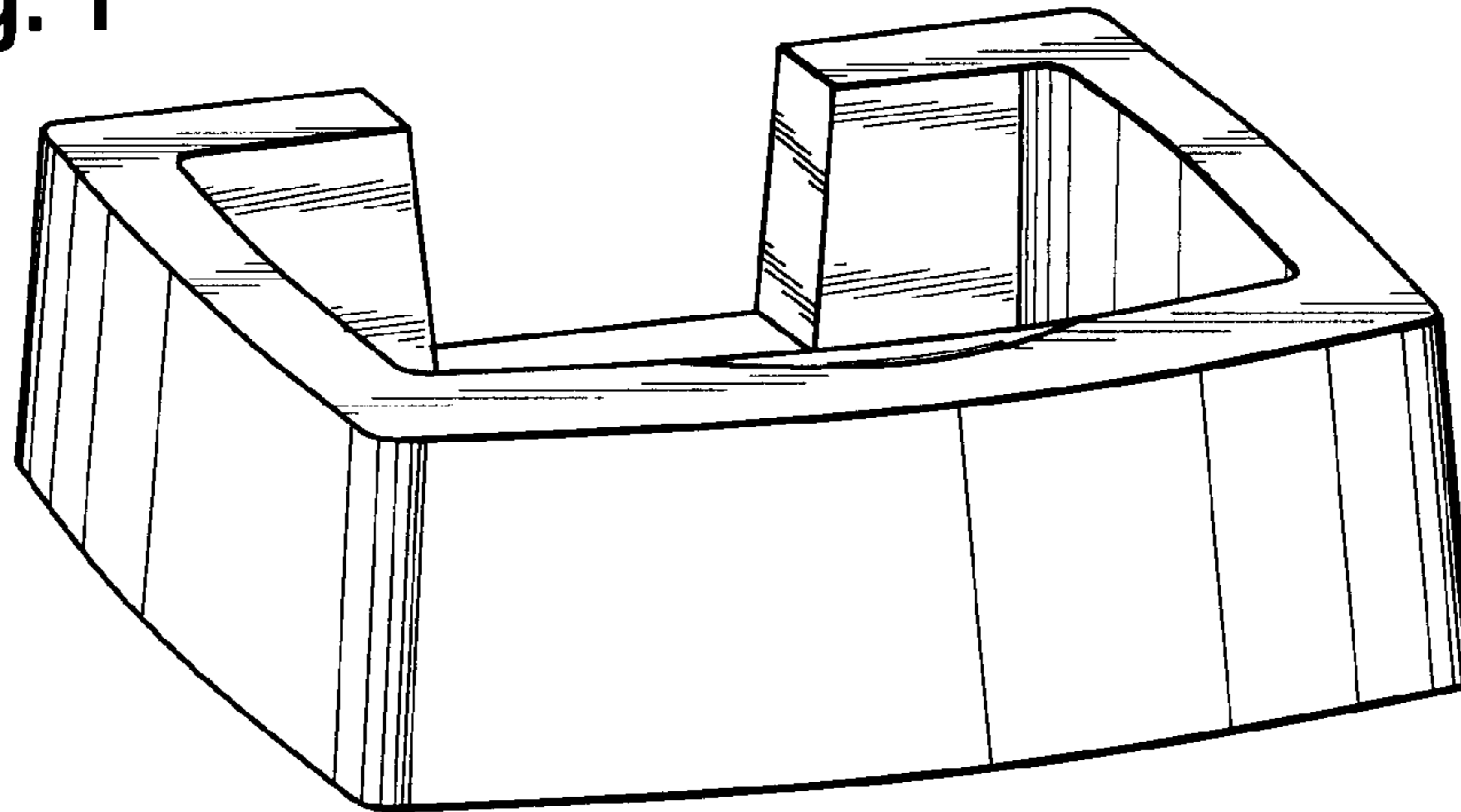


Fig. 2

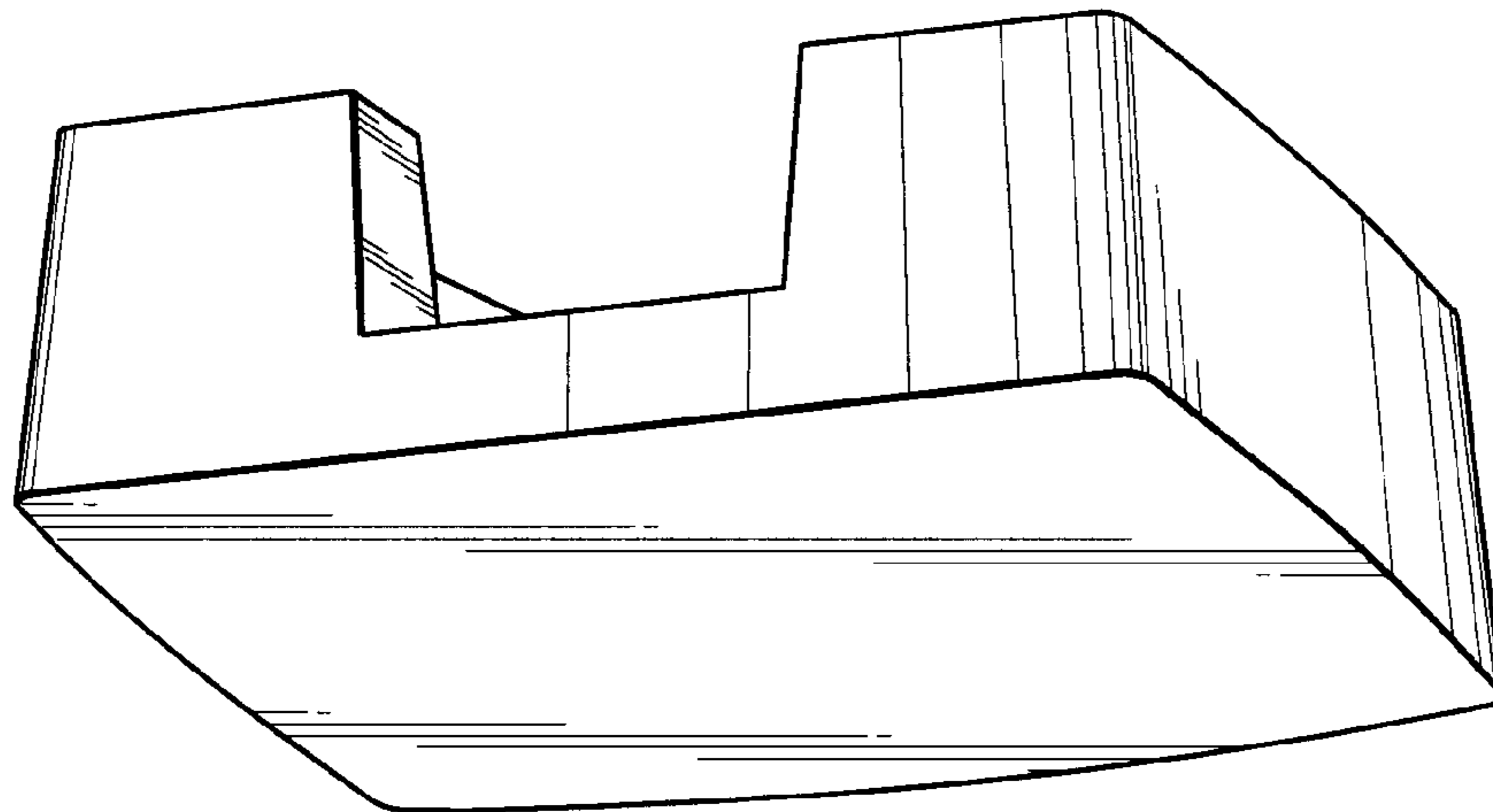


Fig. 3

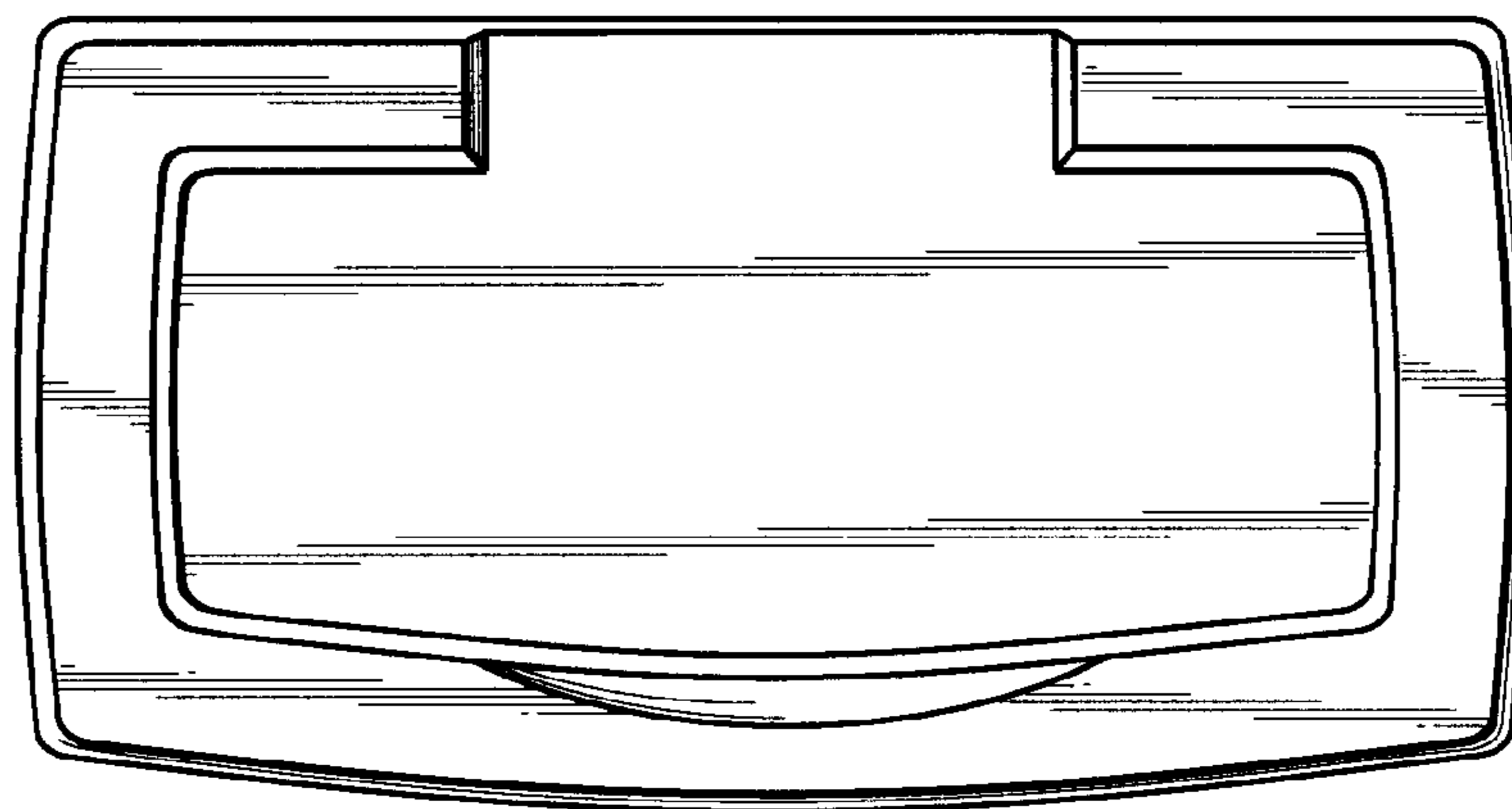


Fig. 4

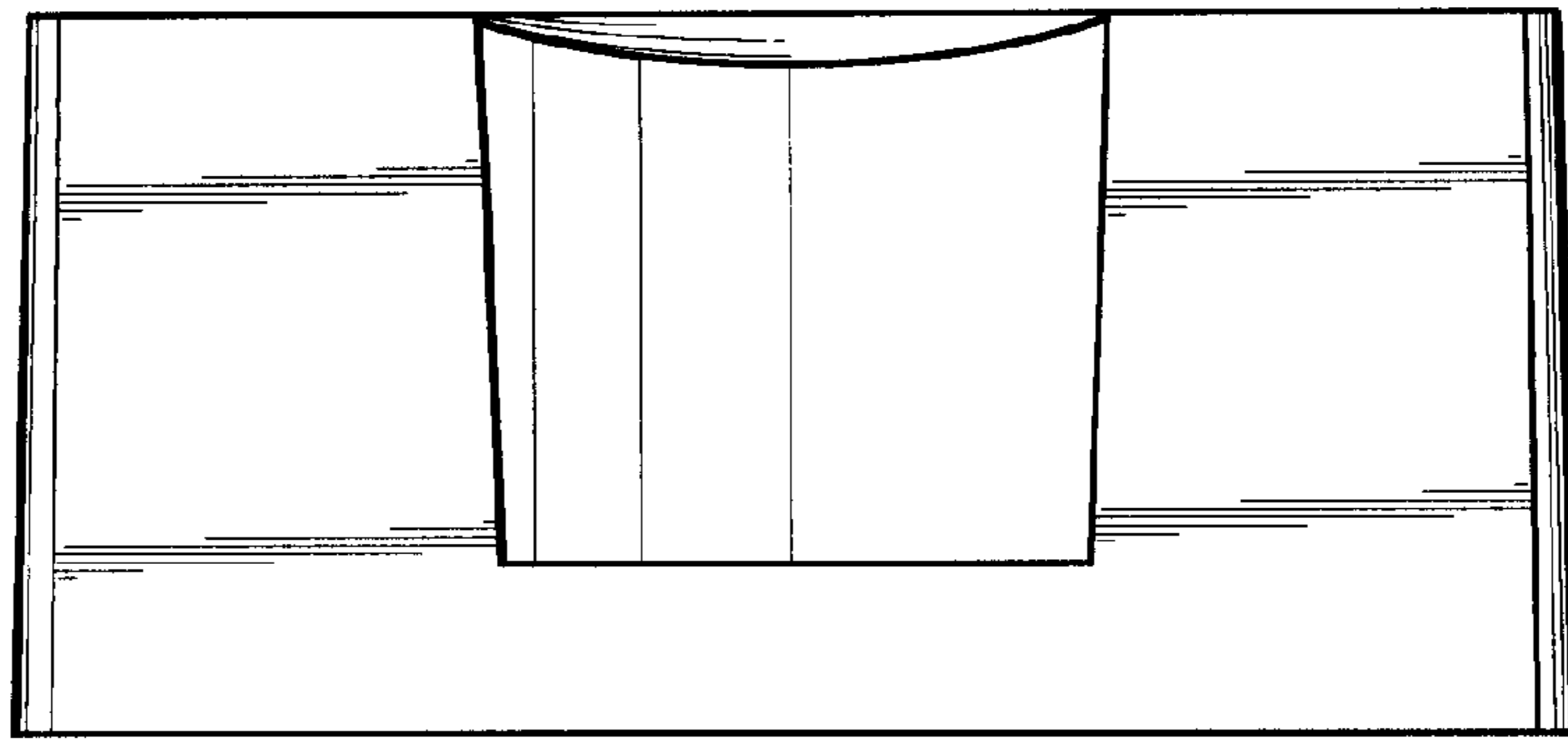


Fig. 5

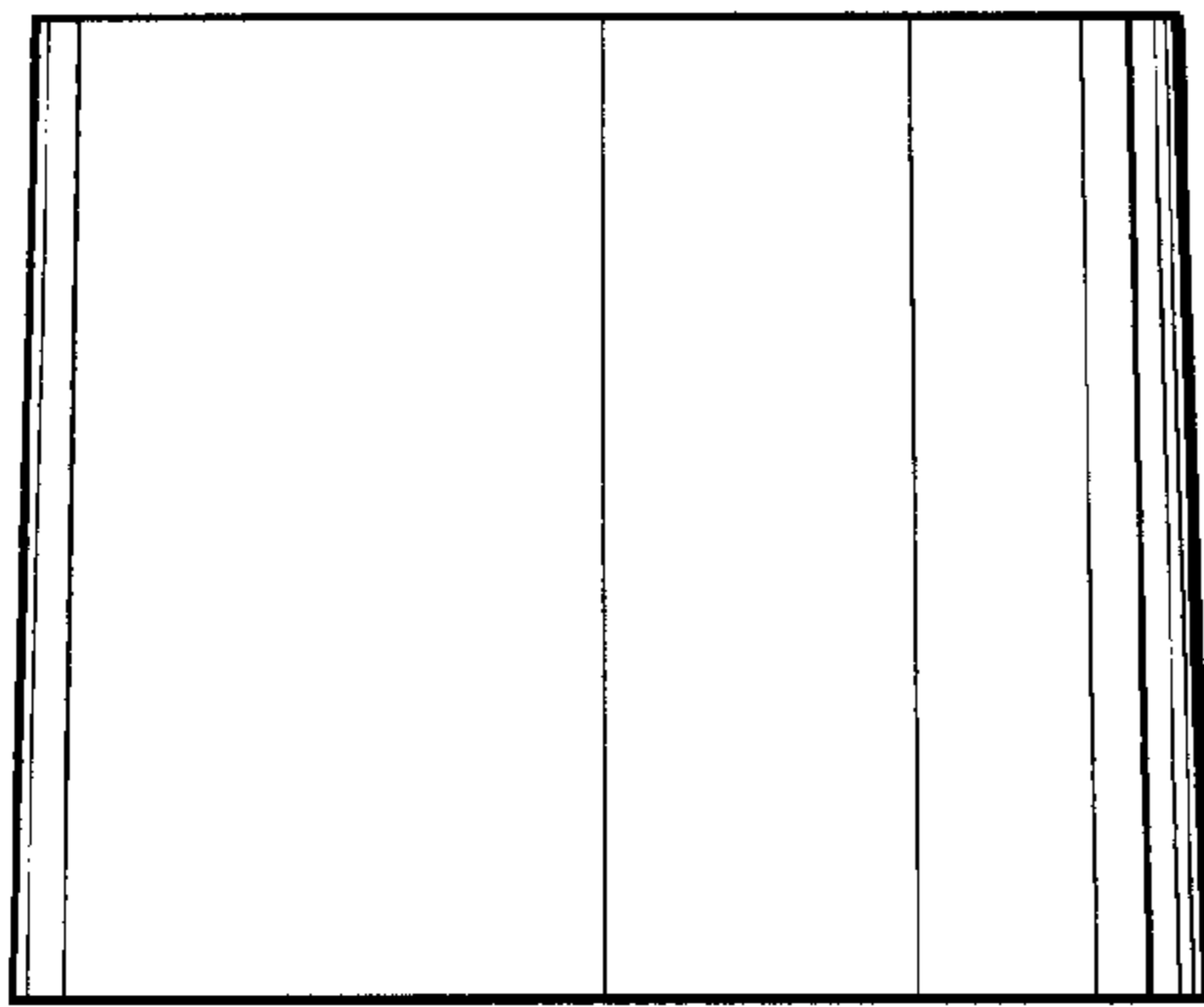


Fig. 6

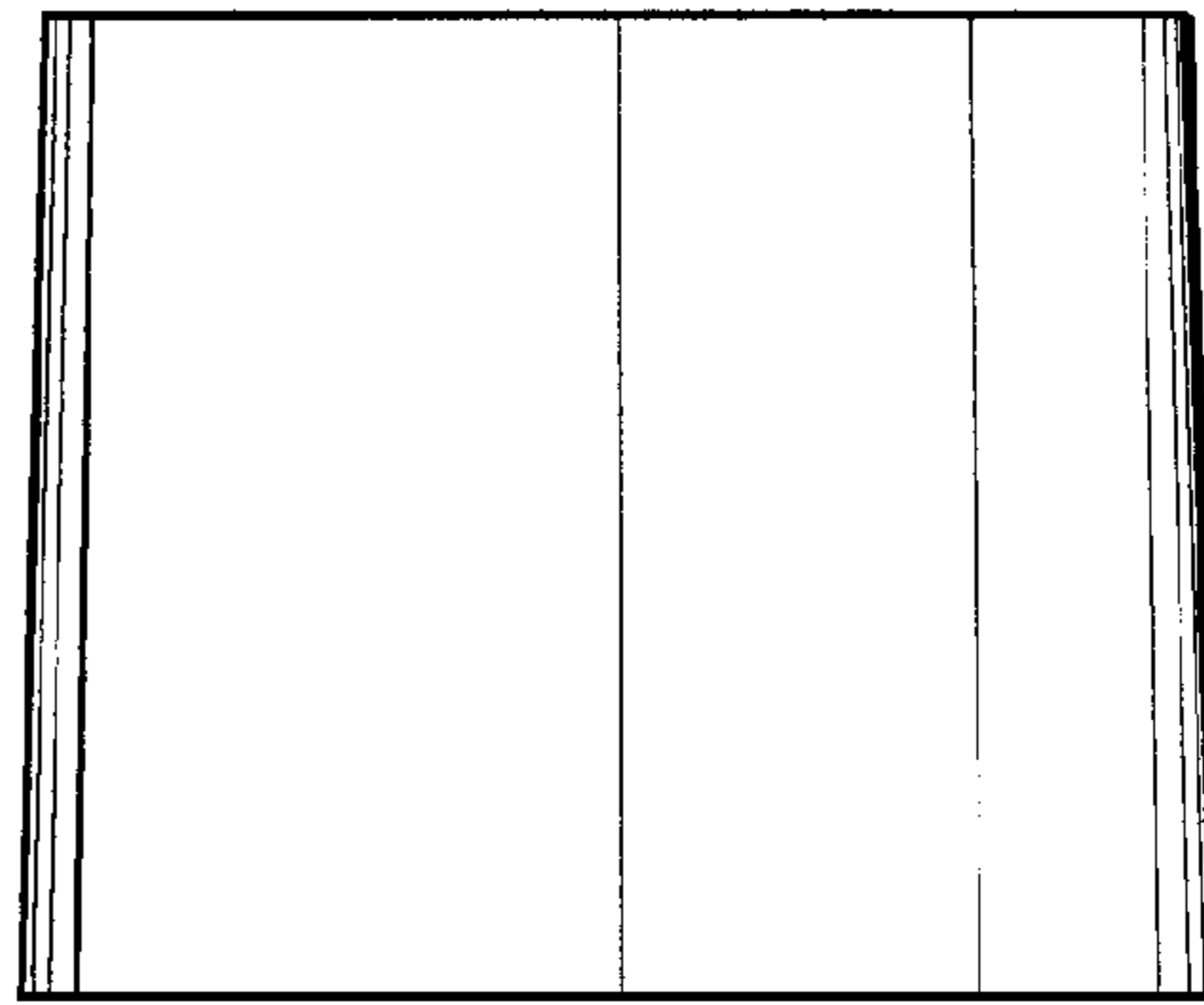


Fig. 7

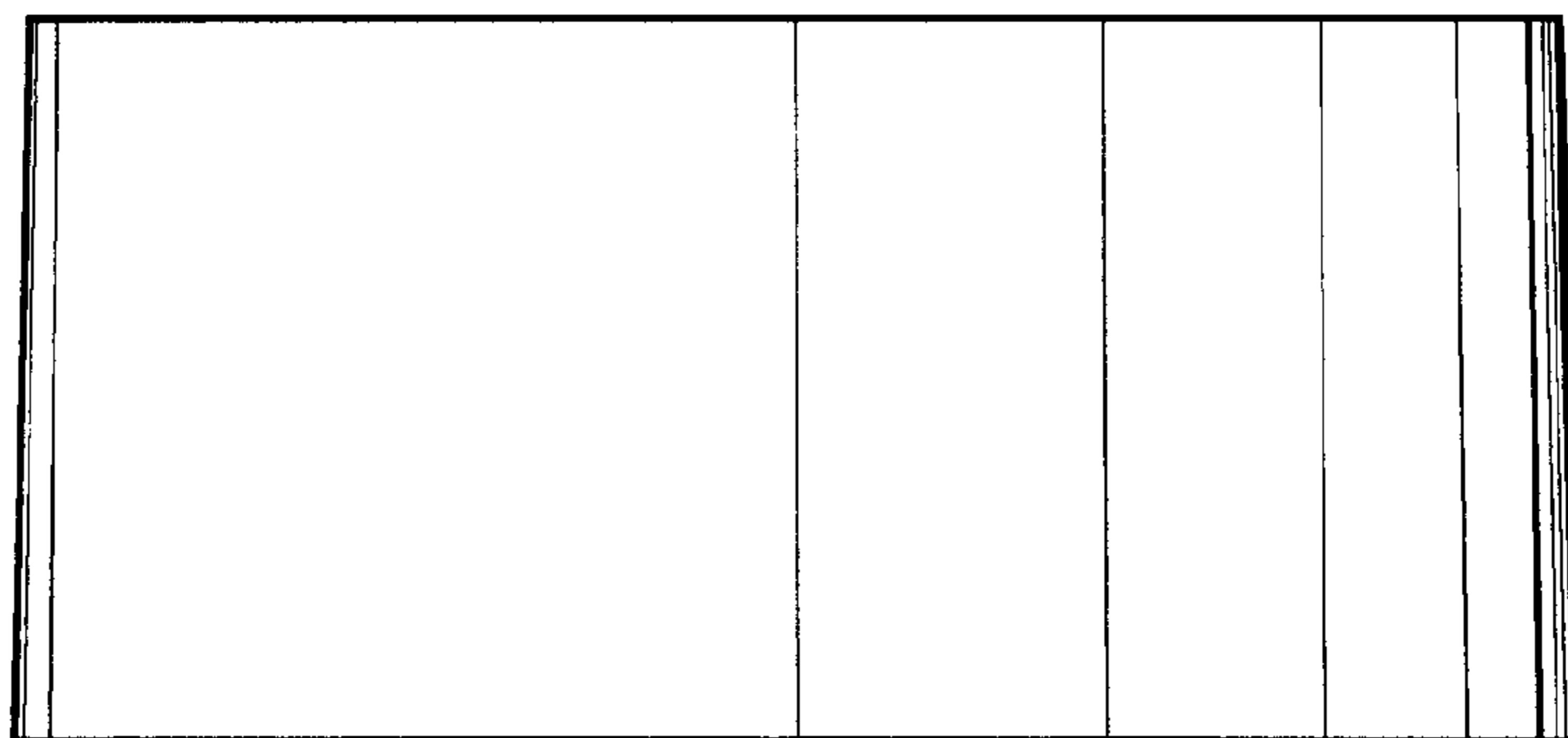


Fig. 8

