



US00D510772S

(12) **United States Design Patent**  
Newland

(10) **Patent No.:** **US D510,772 S**  
(45) **Date of Patent:** **\*\* Oct. 18, 2005**

(54) **SECTION OF A FLOOD BARRIER SYSTEM WITH HOOK BRACKETS FOR PROTECTING BUILDING PERIMETER**

(76) Inventor: **Timothy B. Newland**, 3175 Sawmill La. SW., South Boardman, MI (US) 49680

(\*\*) Term: **14 Years**

(21) Appl. No.: **29/212,443**

(22) Filed: **Sep. 2, 2004**

(51) **LOC (8) Cl.** ..... **25-02**

(52) **U.S. Cl.** ..... **D25/58**

(58) **Field of Search** ..... D25/58; 52/169.1, 52/169.12, 169.14; 405/107, 112, 116, 117, 111

(56) **References Cited**

**U.S. PATENT DOCUMENTS**

4,375,929 A	3/1983	Clark	
4,650,368 A	3/1987	Bayer	
5,077,945 A	1/1992	Koeniger	
5,116,300 A *	5/1992	Pildysh	405/107

D422,368 S \* 4/2000 Wells ..... D25/58

\* cited by examiner

*Primary Examiner*—Doris Clark

(74) *Attorney, Agent, or Firm*—Donald R. Schoonover

(57) **CLAIM**

I claim the ornamental design for a section of a flood barrier system with hook brackets for protecting building perimeter, as shown and described.

**DESCRIPTION**

FIG. 1 is a perspective view of a section of a flood barrier system with hook brackets for protecting building perimeter showing my new design;

FIG. 2 is a front elevational view thereof;

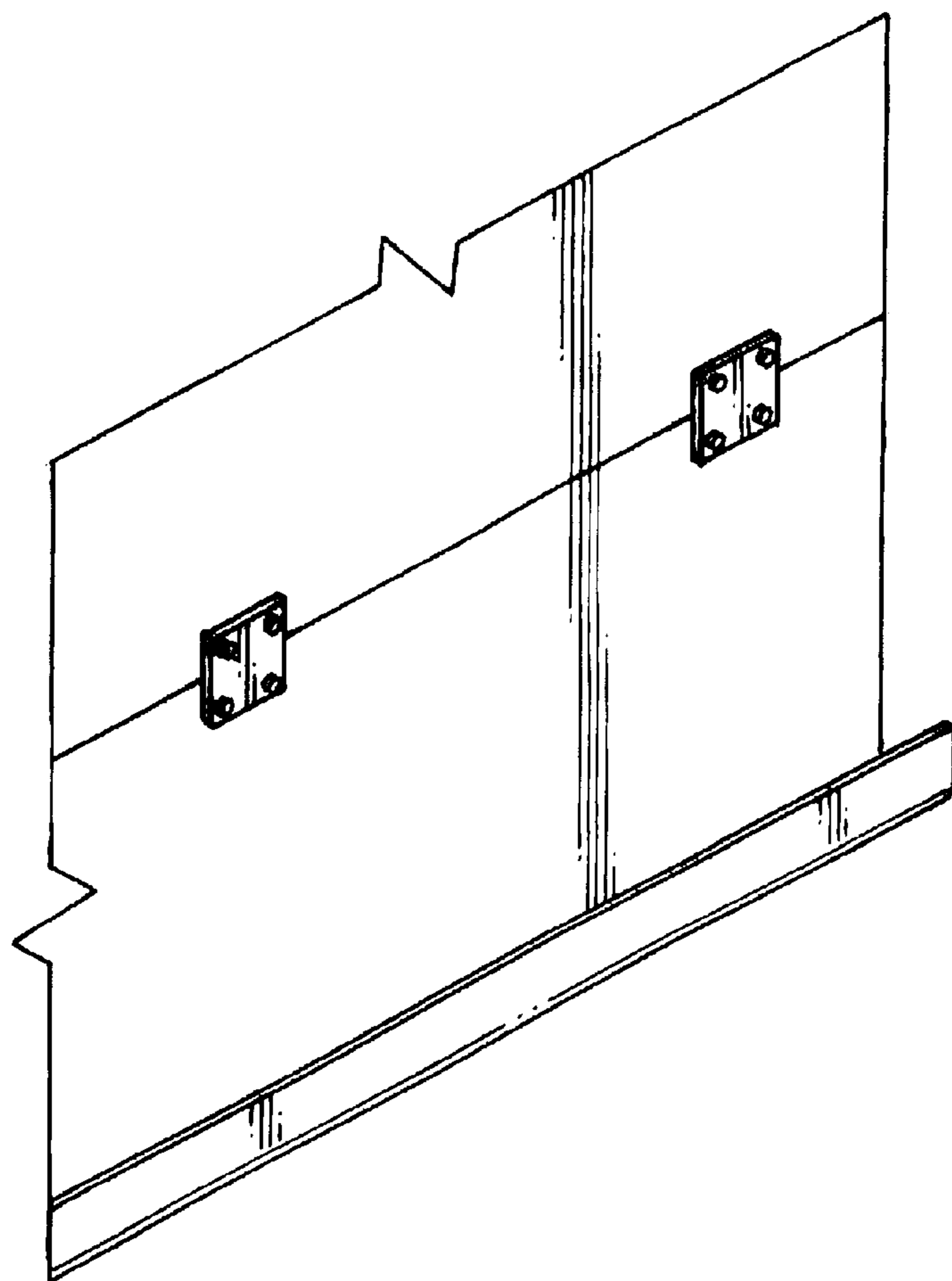
FIG. 3 is a rear elevational view thereof;

FIG. 4 is a right side elevational view thereof, the left side elevational view being a mirror image thereof; the broken lines depict environmental structure for illustrative purposes only and form no part of the claimed design;

FIG. 5 is a top plan view thereof; and,

FIG. 6 is a bottom plan view thereof.

**1 Claim, 4 Drawing Sheets**



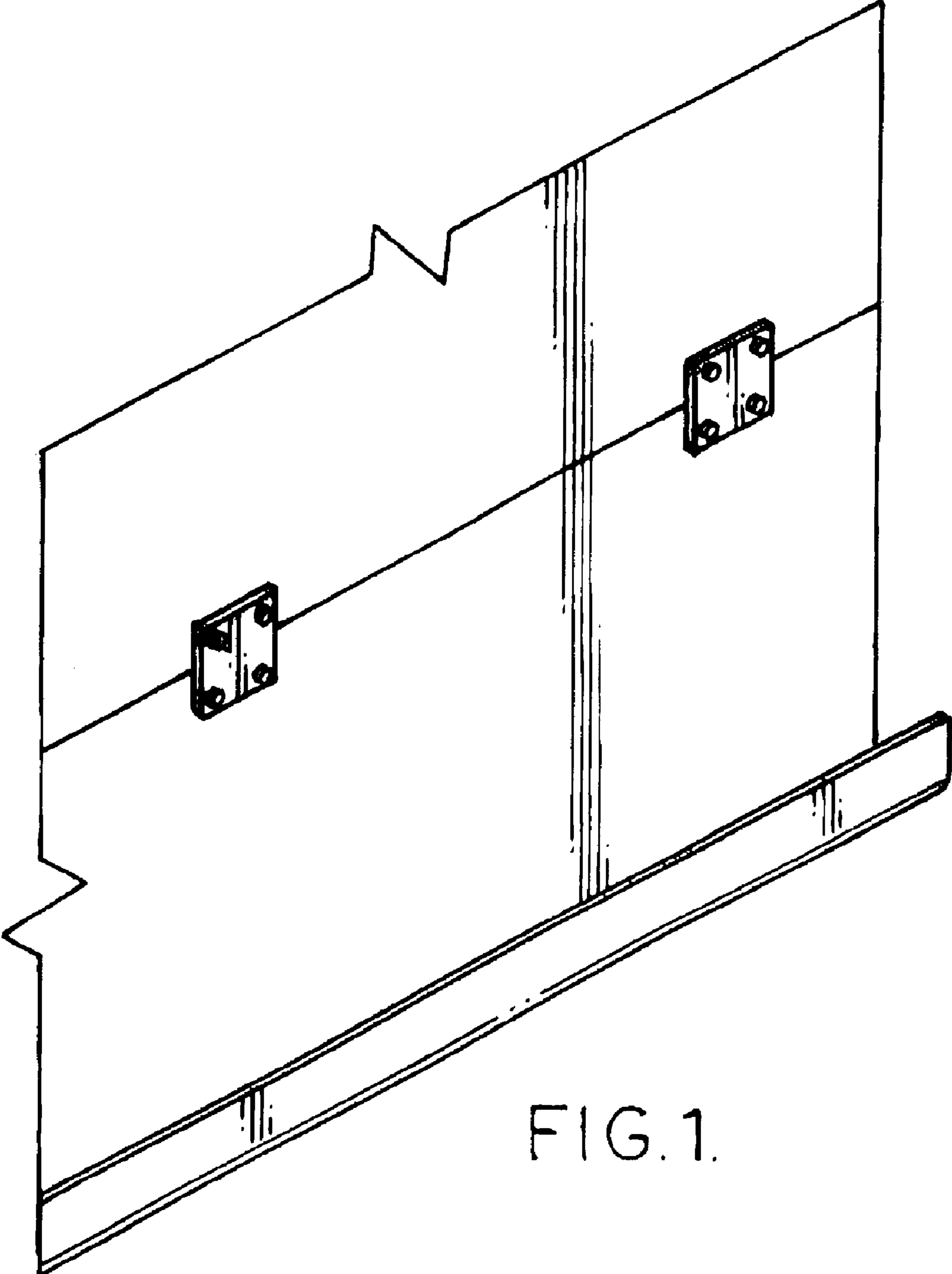


FIG. 1.

FIG. 4.

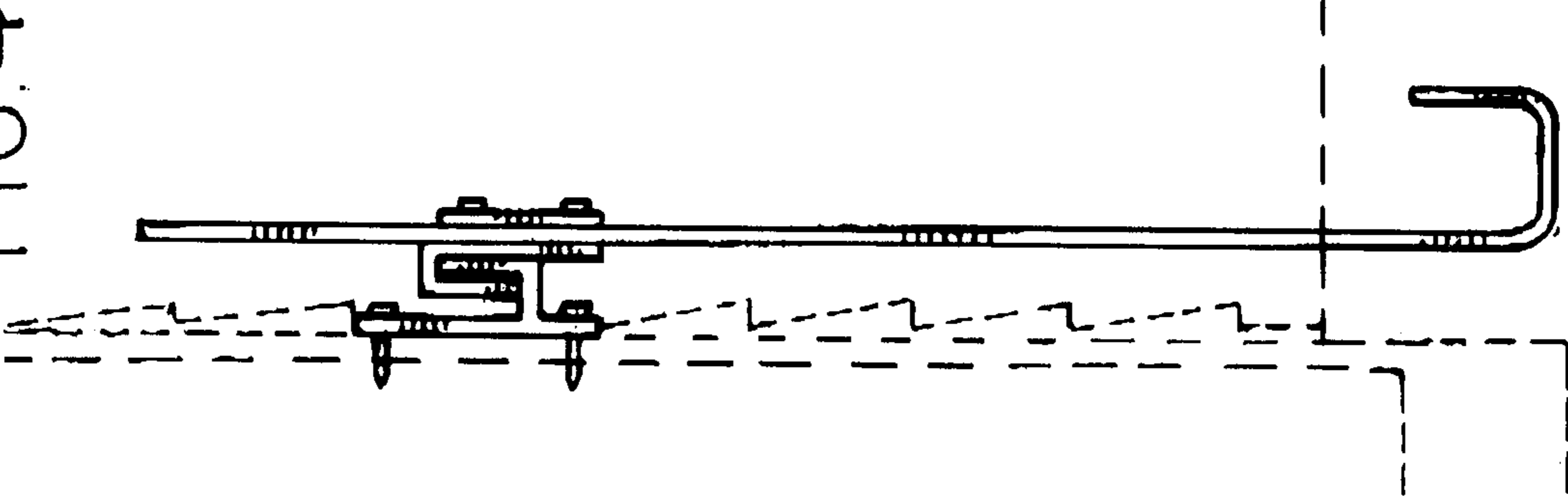


FIG. 2.

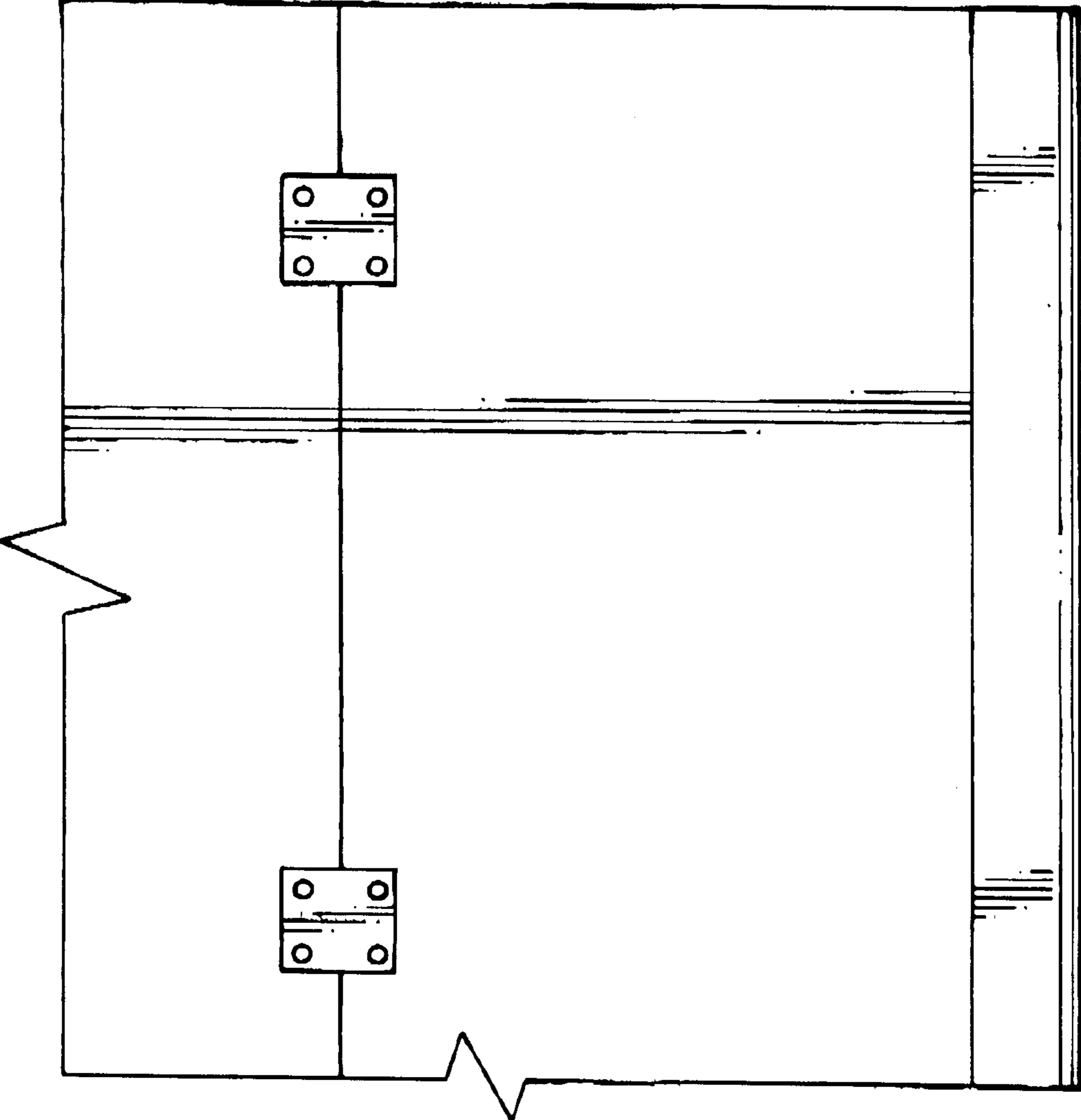
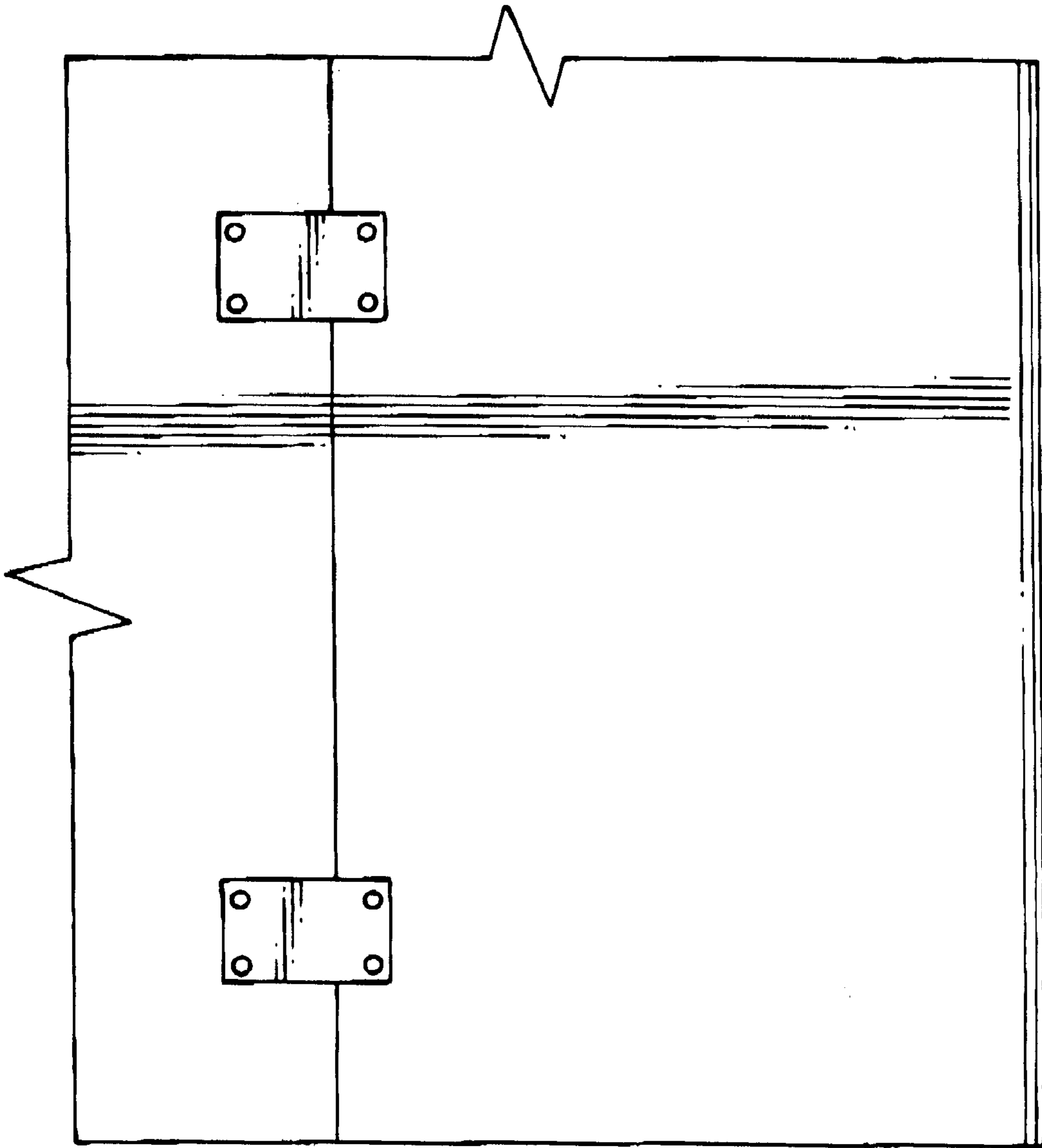


FIG. 3.



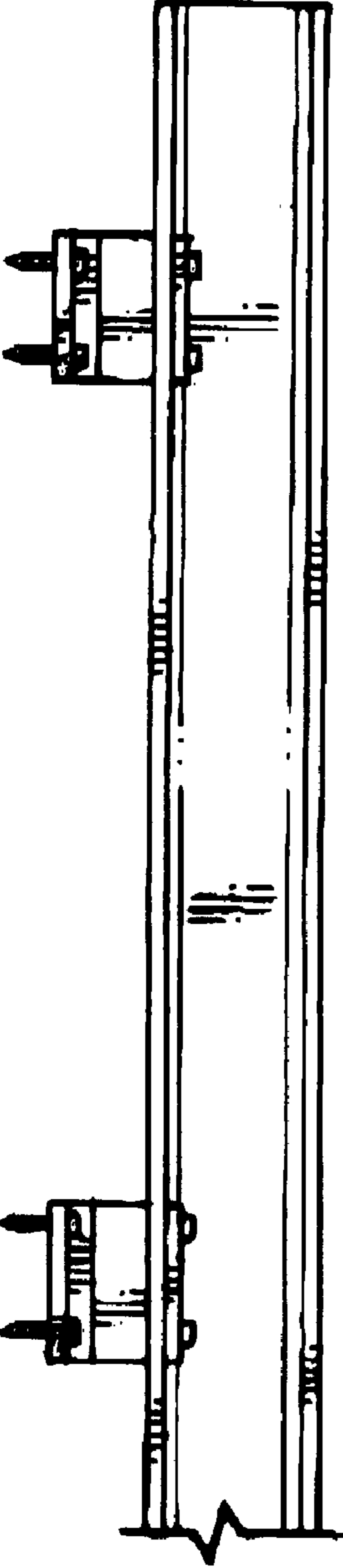


FIG. 5.

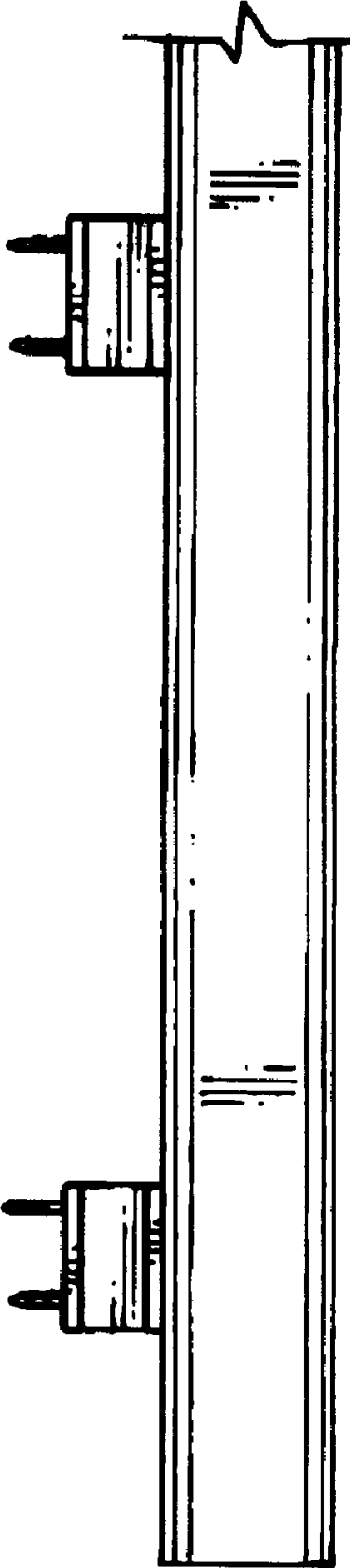


FIG. 6.