



US00D510770S

(12) **United States Design Patent**
Emerson

(10) **Patent No.:** **US D510,770 S**
(45) **Date of Patent:** **** Oct. 18, 2005**

(54) **ELECTROPHORESIS CASSETTE HOLDER**

(75) Inventor: **Rick E. Emerson**, San Jose, CA (US)

(73) Assignee: **Cambrex Bio Science Rockland, Inc.**,
Rockland, ME (US)

(**) Term: **14 Years**

(21) Appl. No.: **29/198,181**

(22) Filed: **Jan. 23, 2004**

(51) **LOC (8) Cl.** **24-02**

(52) **U.S. Cl.** **D24/233**

(58) **Field of Search** D24/233; D10/46,
D10/84, 75, 81; 204/406, 615-620, 465-467

(56) **References Cited**

U.S. PATENT DOCUMENTS

D266,150 S	*	9/1982	Borsos	D24/233
4,715,942 A	*	12/1987	Tezuka et al.	204/618
D303,007 S	*	8/1989	Flesher et al.	D24/233
4,957,613 A	*	9/1990	Schuette	204/618
5,632,877 A	*	5/1997	Van Atta	204/618
6,017,436 A	*	1/2000	Kozulic	204/620
6,203,679 B1	*	3/2001	Bouis et al.	204/466
6,379,516 B1	*	4/2002	Cabilly et al.	204/466
6,682,641 B1	*	1/2004	Finney et al.	204/466

OTHER PUBLICATIONS

Photos and/or drawings depicting devices of a variety of types: pp. 1-30.

* cited by examiner

Primary Examiner—Cathy Anne MacCormac

Assistant Examiner—Melanie Levy

(74) *Attorney, Agent, or Firm*—Woodcock Washburn LLP

(57) **CLAIM**

The ornamental design for an electrophoresis cassette holder, as shown and described.

DESCRIPTION

FIG. 1 is a perspective view of an electrophoresis cassette holder showing my new design;

FIG. 2 is a top plan view thereof;

FIG. 3 is a bottom plan view thereof;

FIG. 4 is a left side view thereof;

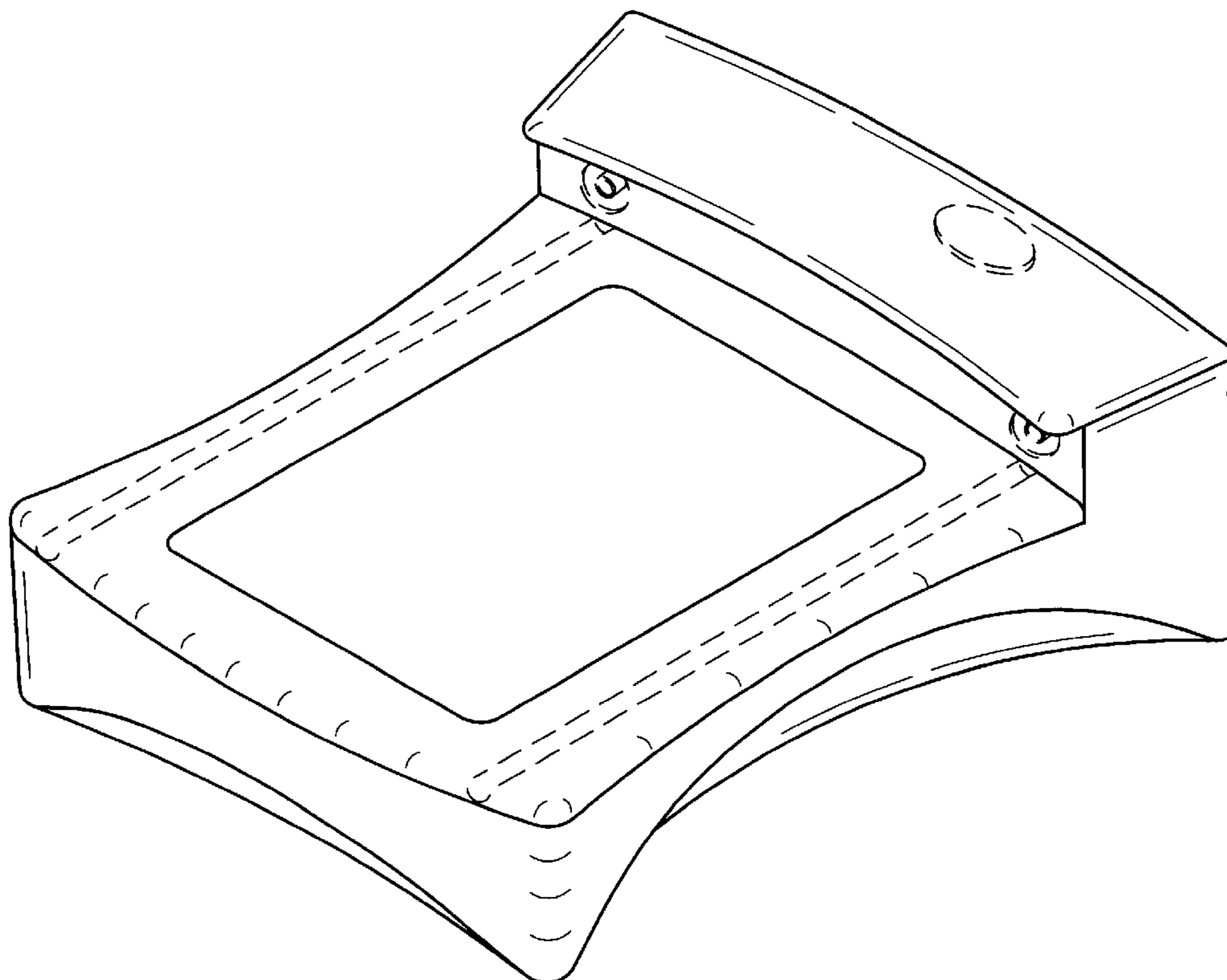
FIG. 5 is a right side view thereof;

FIG. 6 is a front elevational view thereof; and,

FIG. 7 is a rear elevational view thereof.

The broken lines in the drawings are for illustrative purposes only, and form no part of the claimed design.

1 Claim, 5 Drawing Sheets



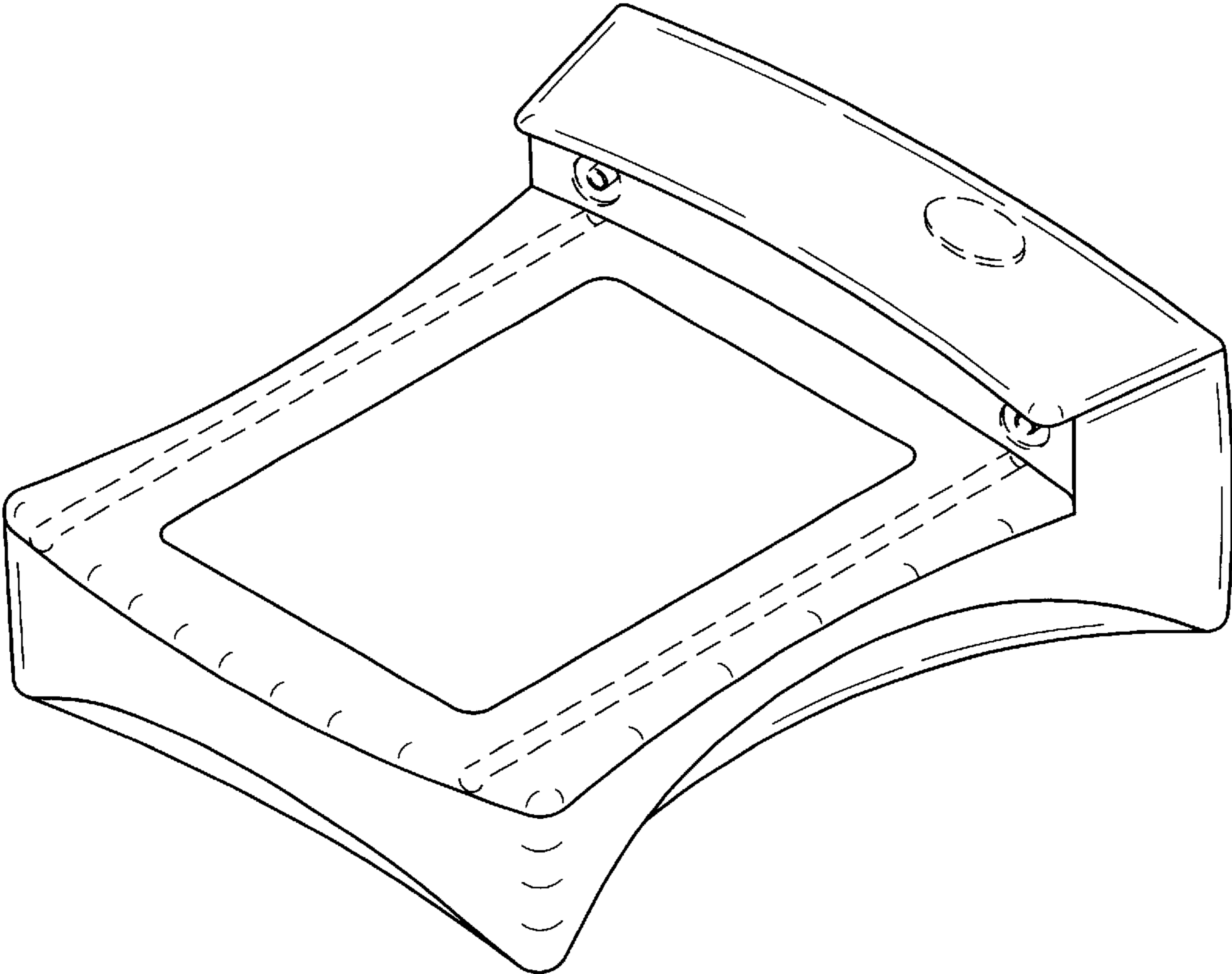


Fig. 1

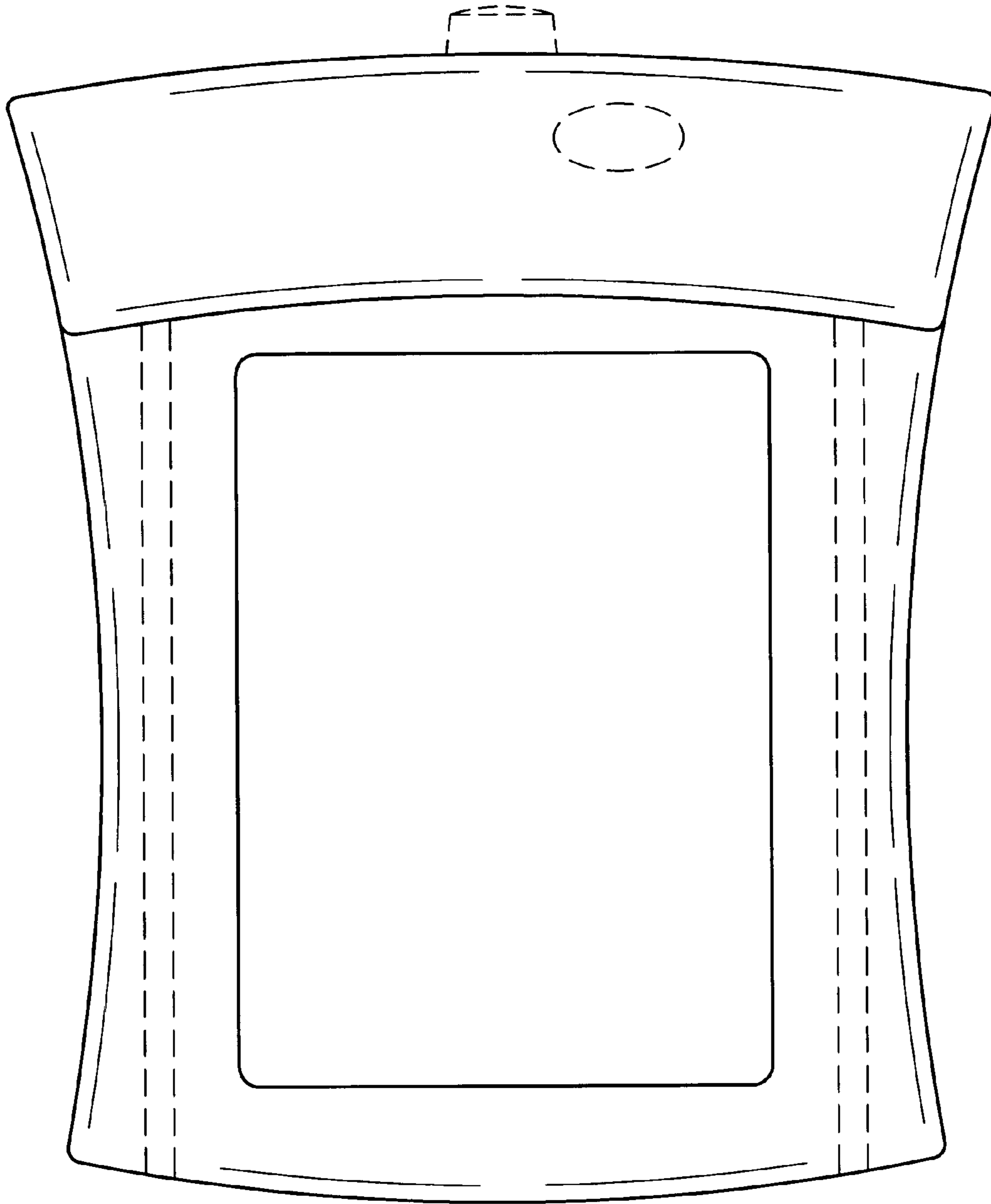


Fig. 2

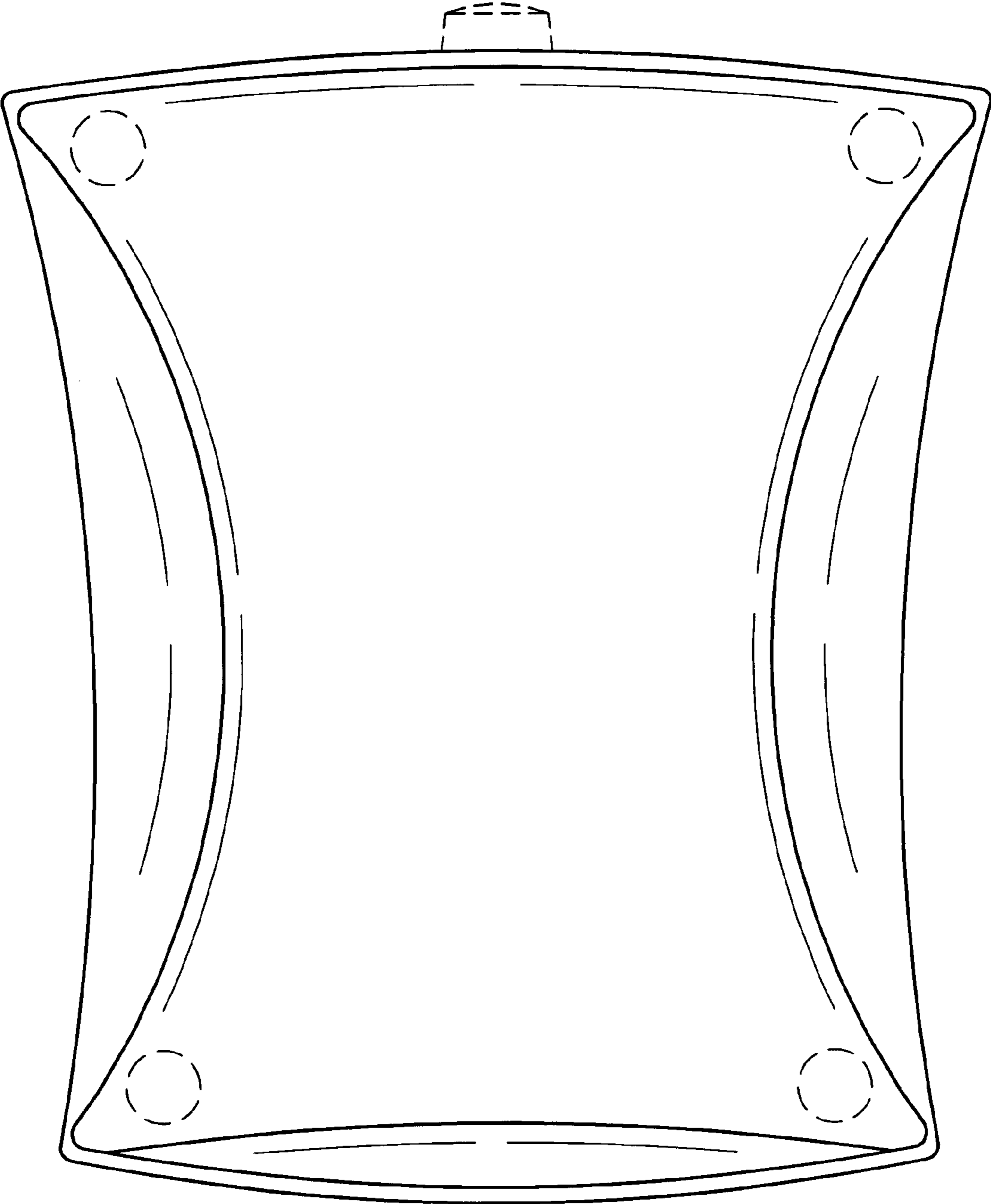


Fig. 3

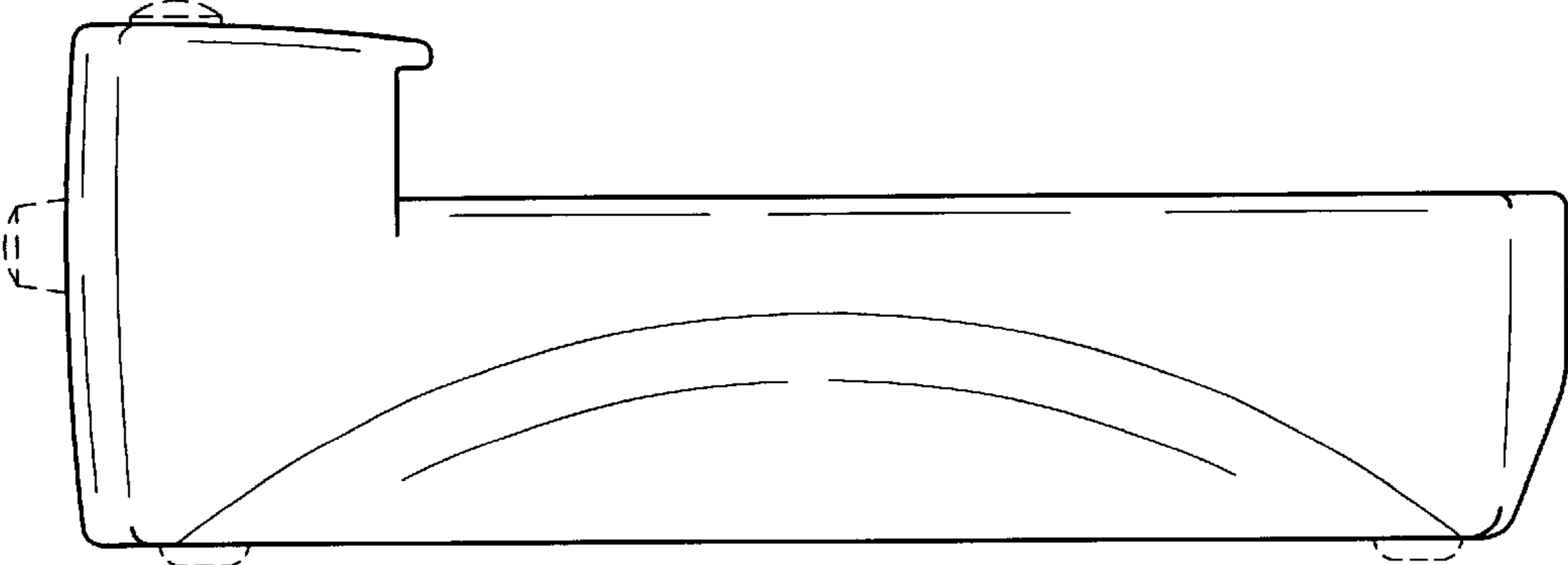


Fig. 4

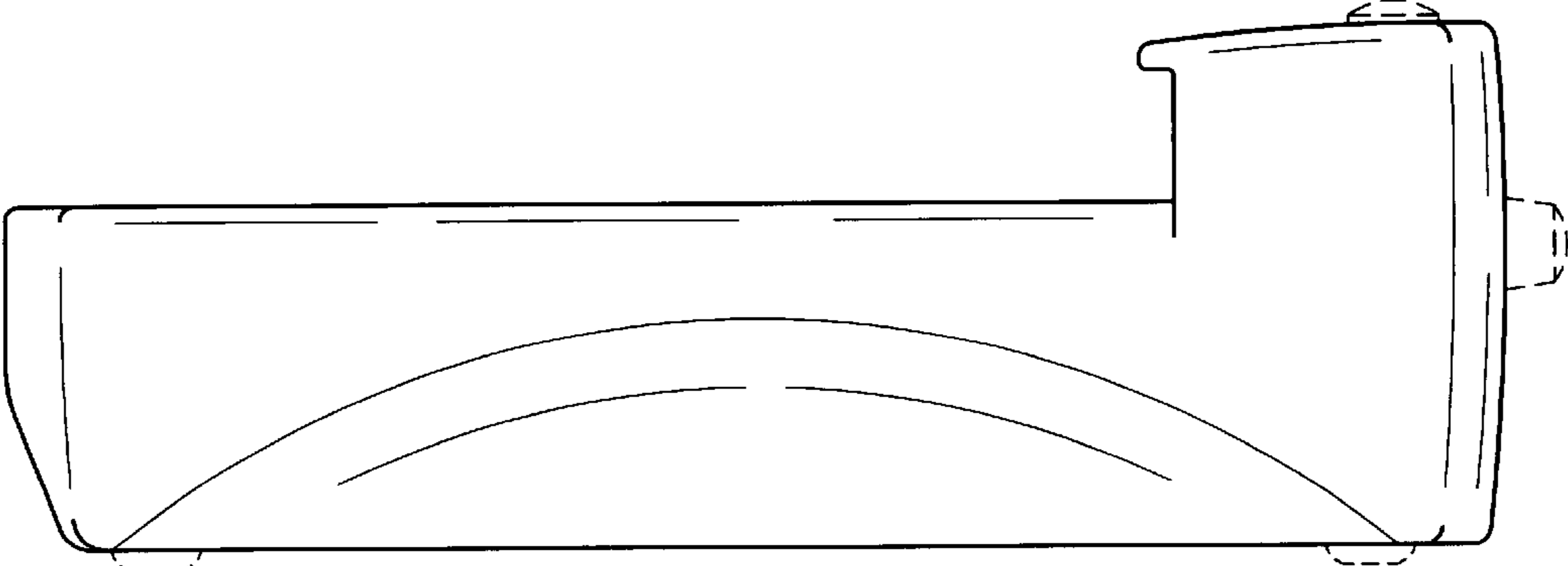


Fig. 5

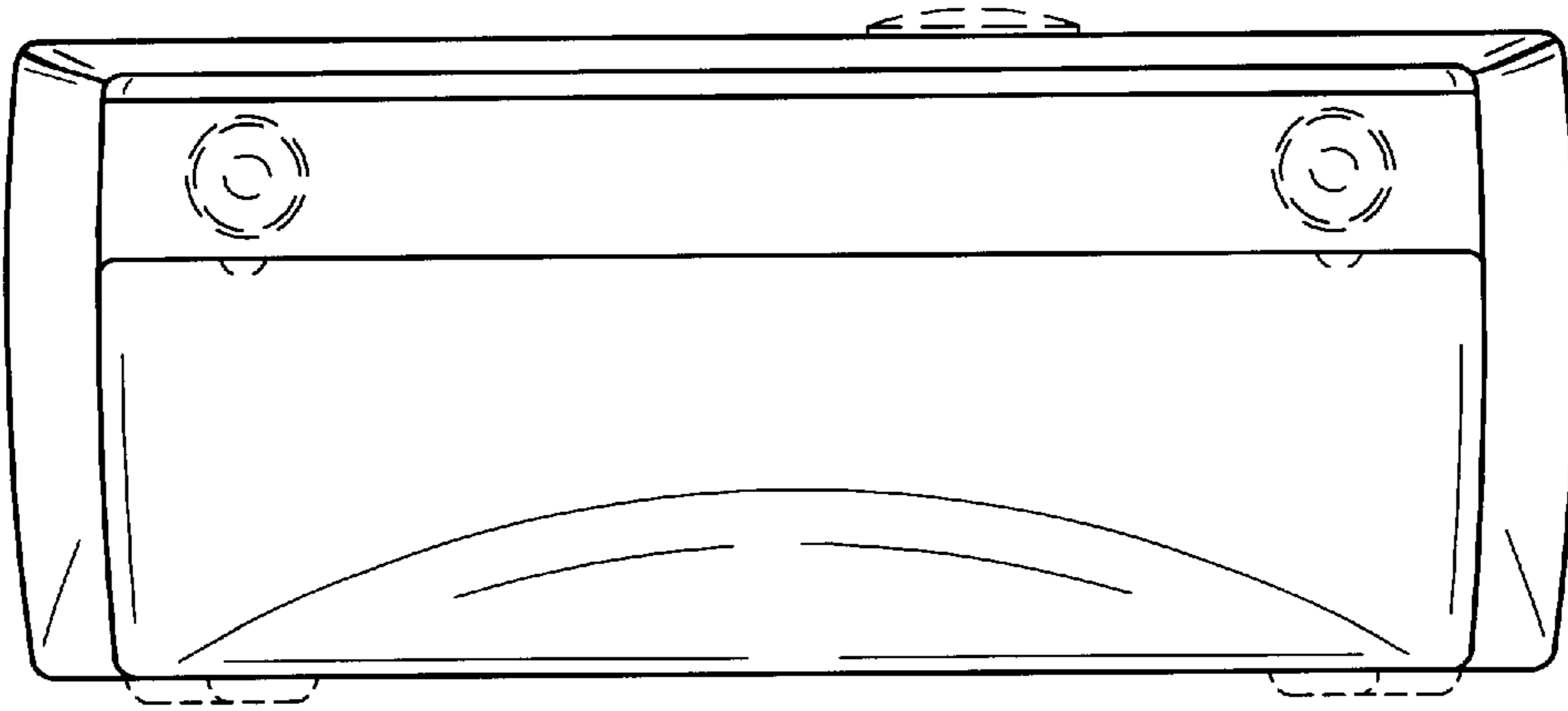


Fig. 6

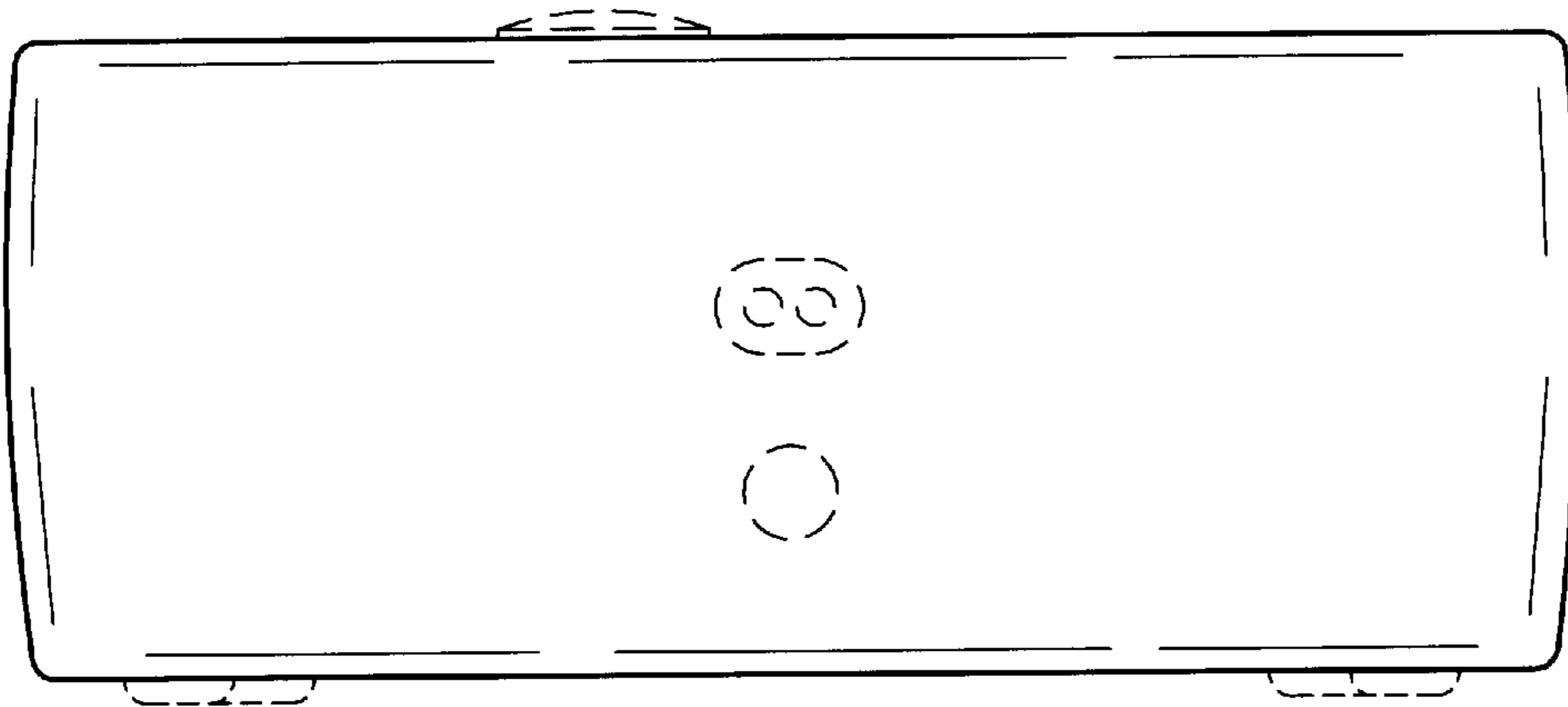


Fig. 7