



US00D510766S

(12) **United States Design Patent**
Thomas, Jr.

(10) **Patent No.: US D510,766 S**
(45) **Date of Patent: ** Oct. 18, 2005**

(54) **CEILING FAN LIGHT KIT**

(75) Inventor: **James C. Thomas, Jr.**, Germantown, TN (US)

(73) Assignee: **Hunter Fan Company**, Memphis, TN (US)

(**) Term: **14 Years**

(21) Appl. No.: **29/191,600**

(22) Filed: **Oct. 11, 2003**

(51) **LOC (8) Cl.** **23-04**

(52) **U.S. Cl.** **D23/411**

(58) **Field of Search** D23/411, 377,
D23/379, 385; 416/5; D26/59, 51, 72, 81-88;
392/364; 362/96

(56) **References Cited**

U.S. PATENT DOCUMENTS

D449,396 S	10/2001	Campbell	26/59
D450,832 S	* 11/2001	Gajewski	D23/411
D480,472 S	* 10/2003	Hsieh	D23/411
D483,855 S	* 12/2003	Stauffer	D23/411

OTHER PUBLICATIONS

Hunter 2001 Ceiling Fan Selection & Special Order Guide (The Avignon, The Jamestown).
Casablanca Fan Company 2001 Product Catalog p. 21, (19th Century), p. 23, (Nouvelle), and p. 33 (Delta), p. 37 (Palisades), p. 52 (Victorian), and p. 54 (Commodore Vanderbilt).

Hunter Fan Company 2002 Brochure, Chandellette Light Fixtures, Covent Garden, and Hampshire.

Sonica Catalog, p. 38 and 39 (Light Kits and Fitters), p. 40, 41, 42, 43, and 44 (Glass and Center Shades).

* cited by examiner

Primary Examiner—Lisa Lichtenstein

(74) *Attorney, Agent, or Firm*—Baker Donelson

(57) **CLAIM**

The ornamental design for a ceiling fan light kit, as shown and described.

DESCRIPTION

FIG. 1 is a perspective view of a ceiling fan light kit showing my new design.

FIG. 2 is a right side view thereof.

FIG. 3 is a left side view thereof.

FIG. 4 is a rear view thereof.

FIG. 5 is a front view thereof.

FIG. 6 is a bottom view thereof; and,

FIG. 7 is a top view thereof.

The broken line showing of environmental structure is for illustrative purposes only and forms no part of the claimed design.

1 Claim, 4 Drawing Sheets

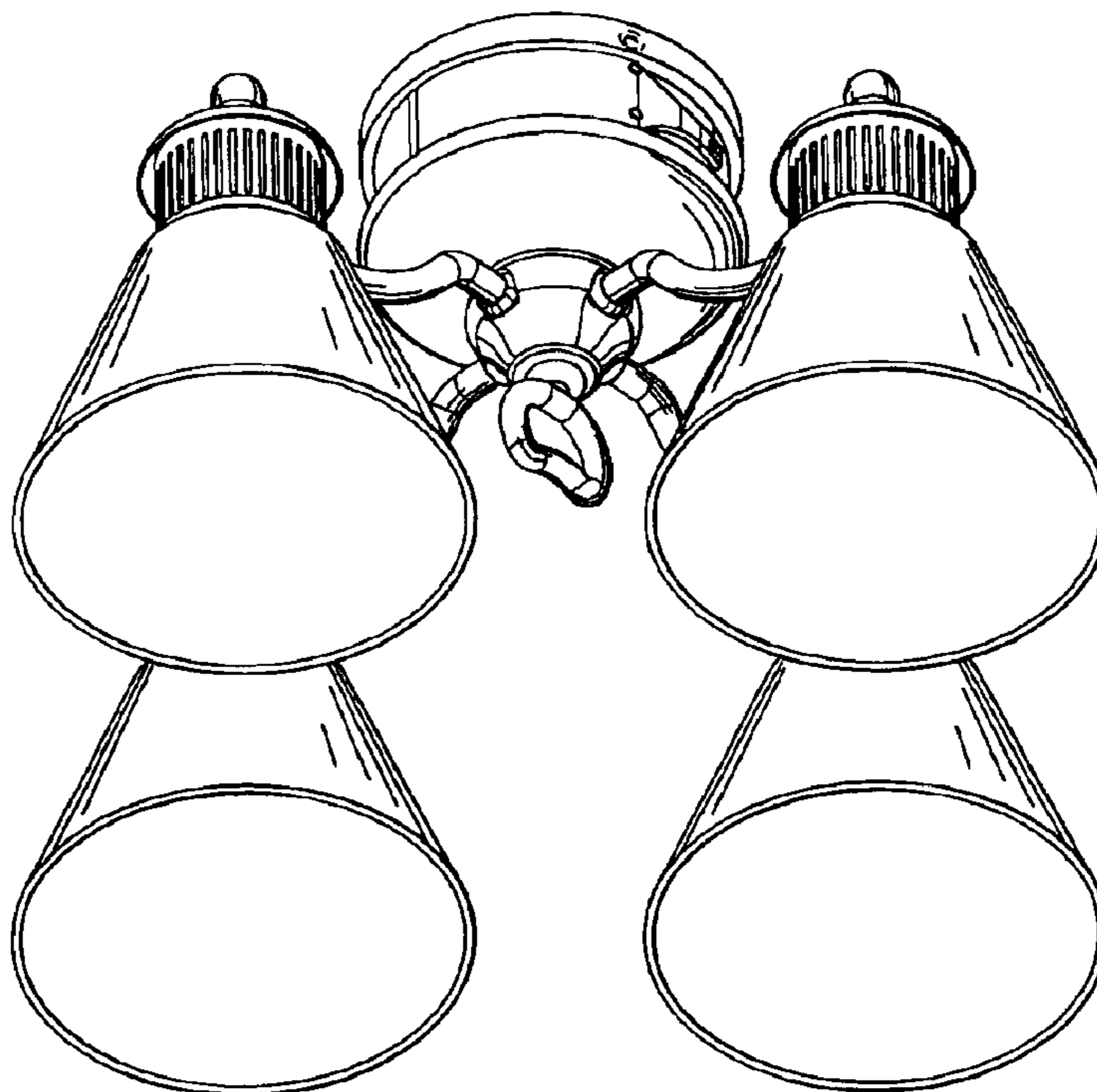


Fig. 1

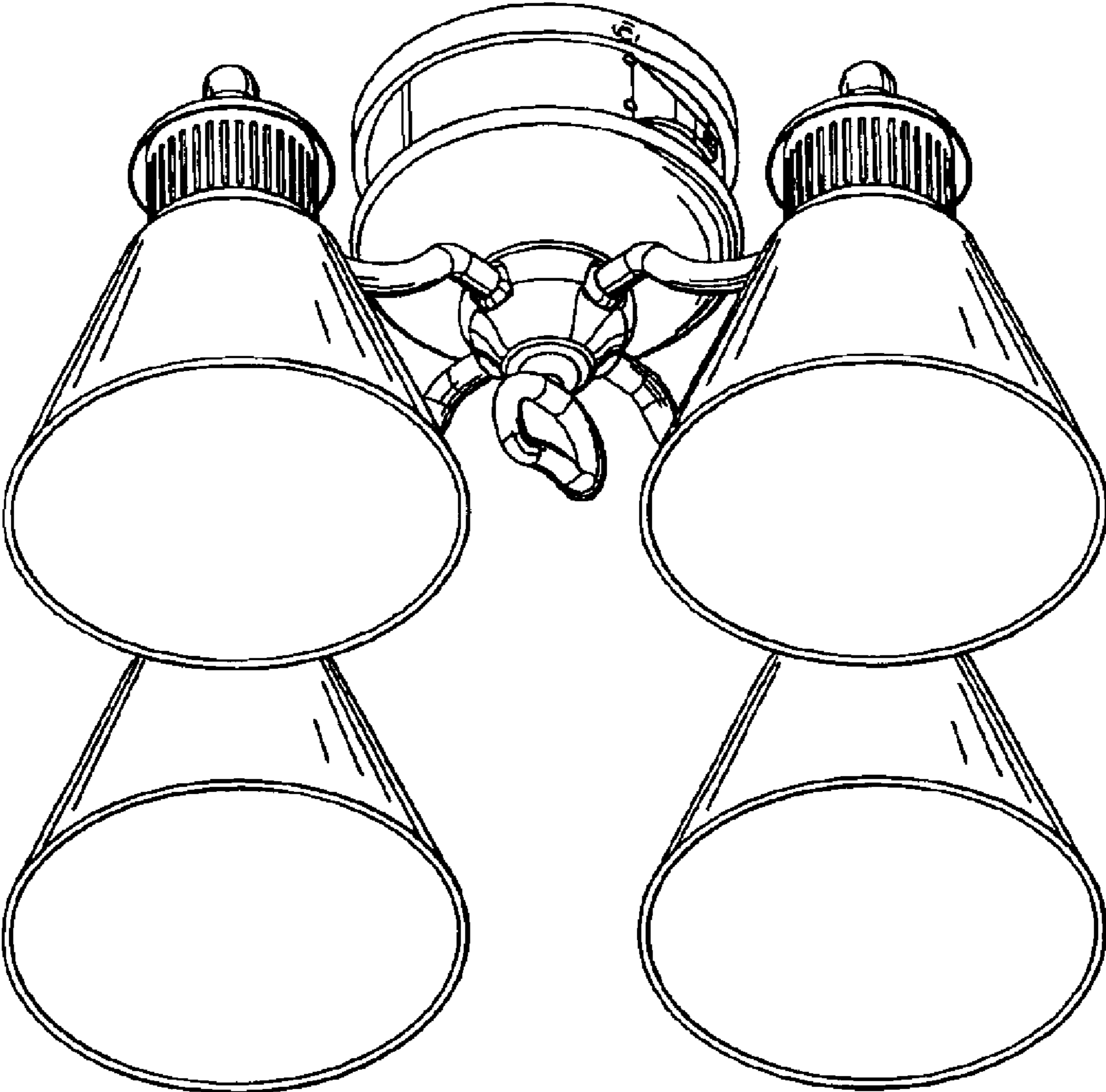


Fig. 2

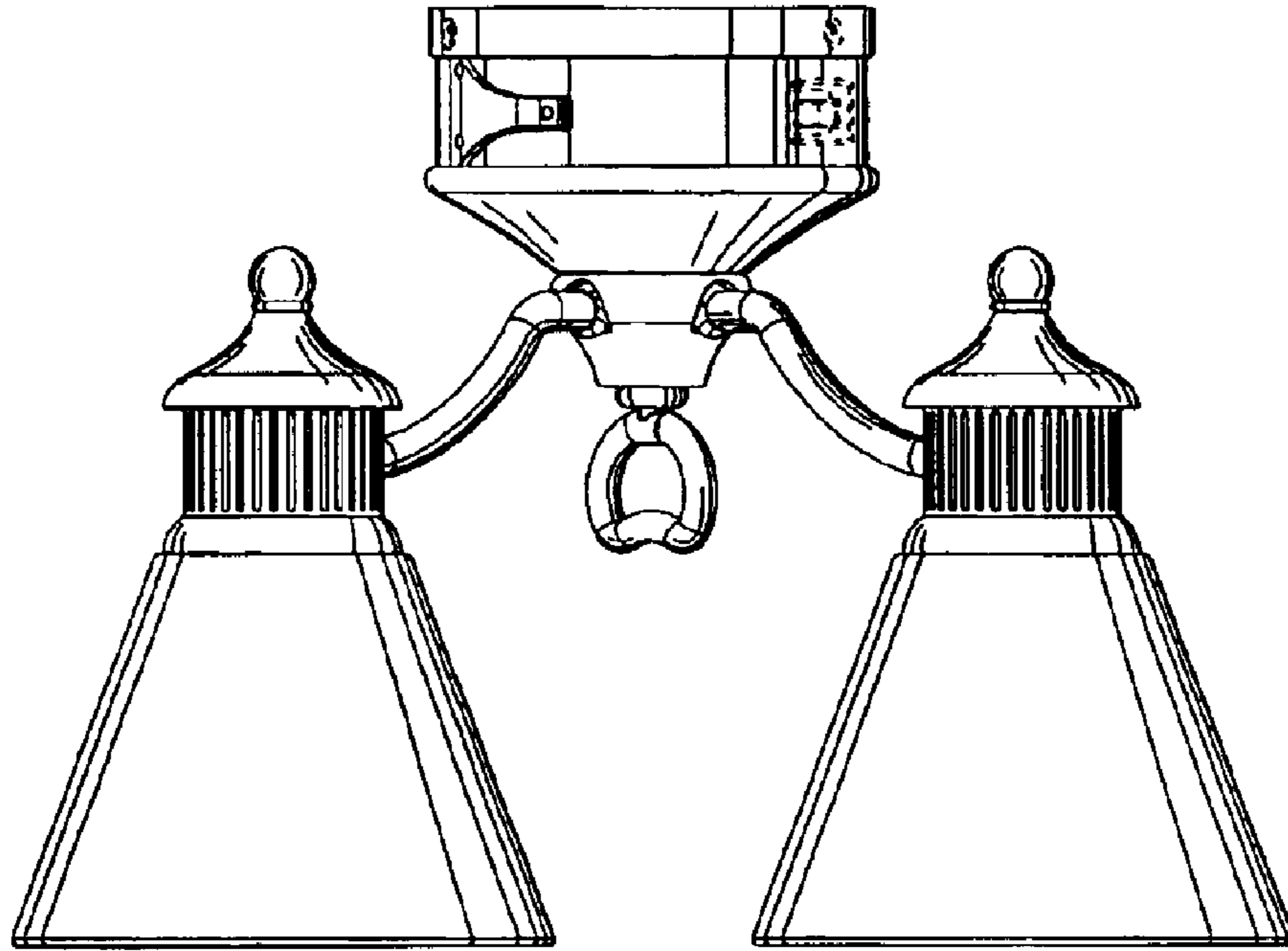


Fig. 3

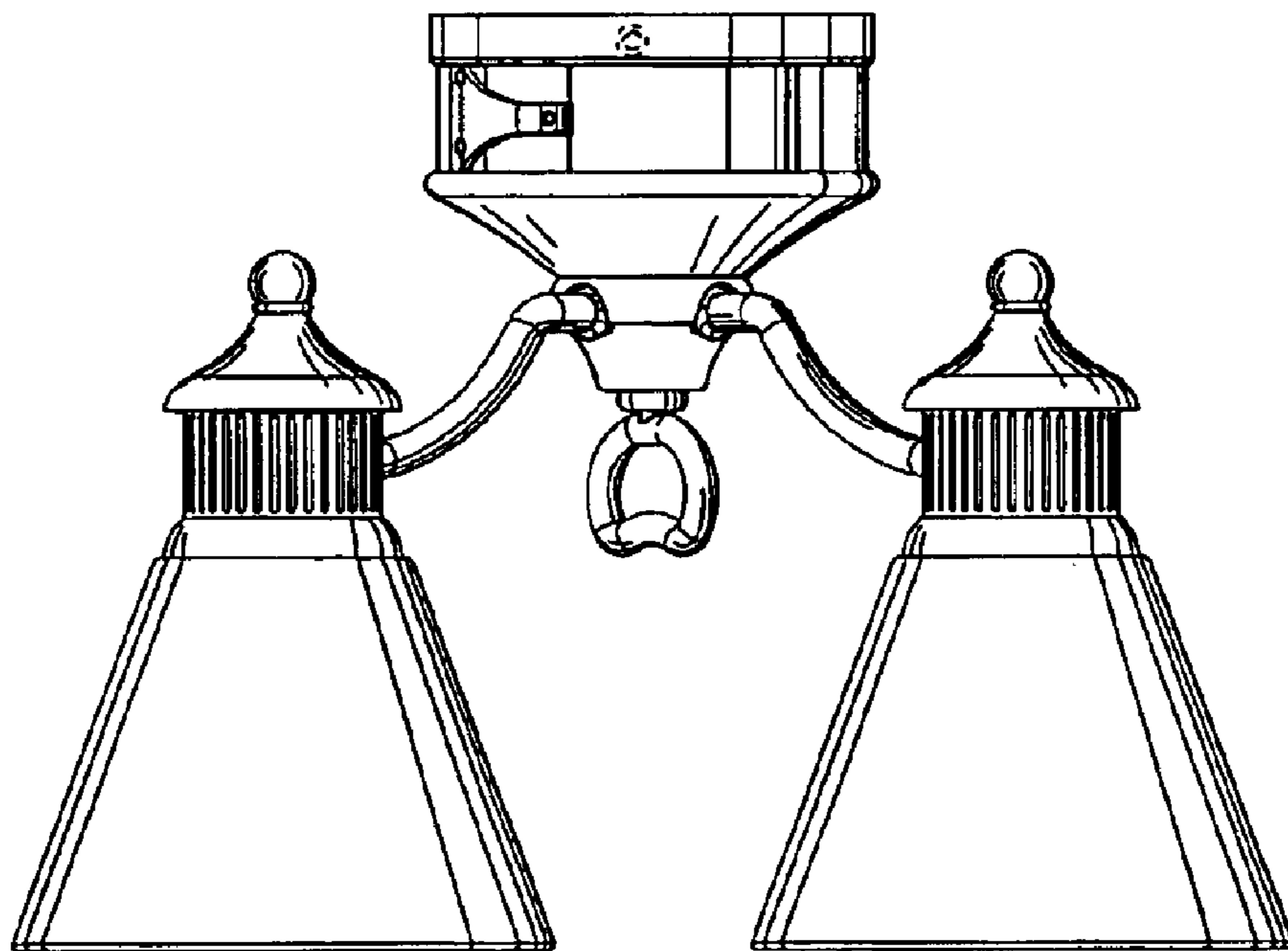


Fig. 4

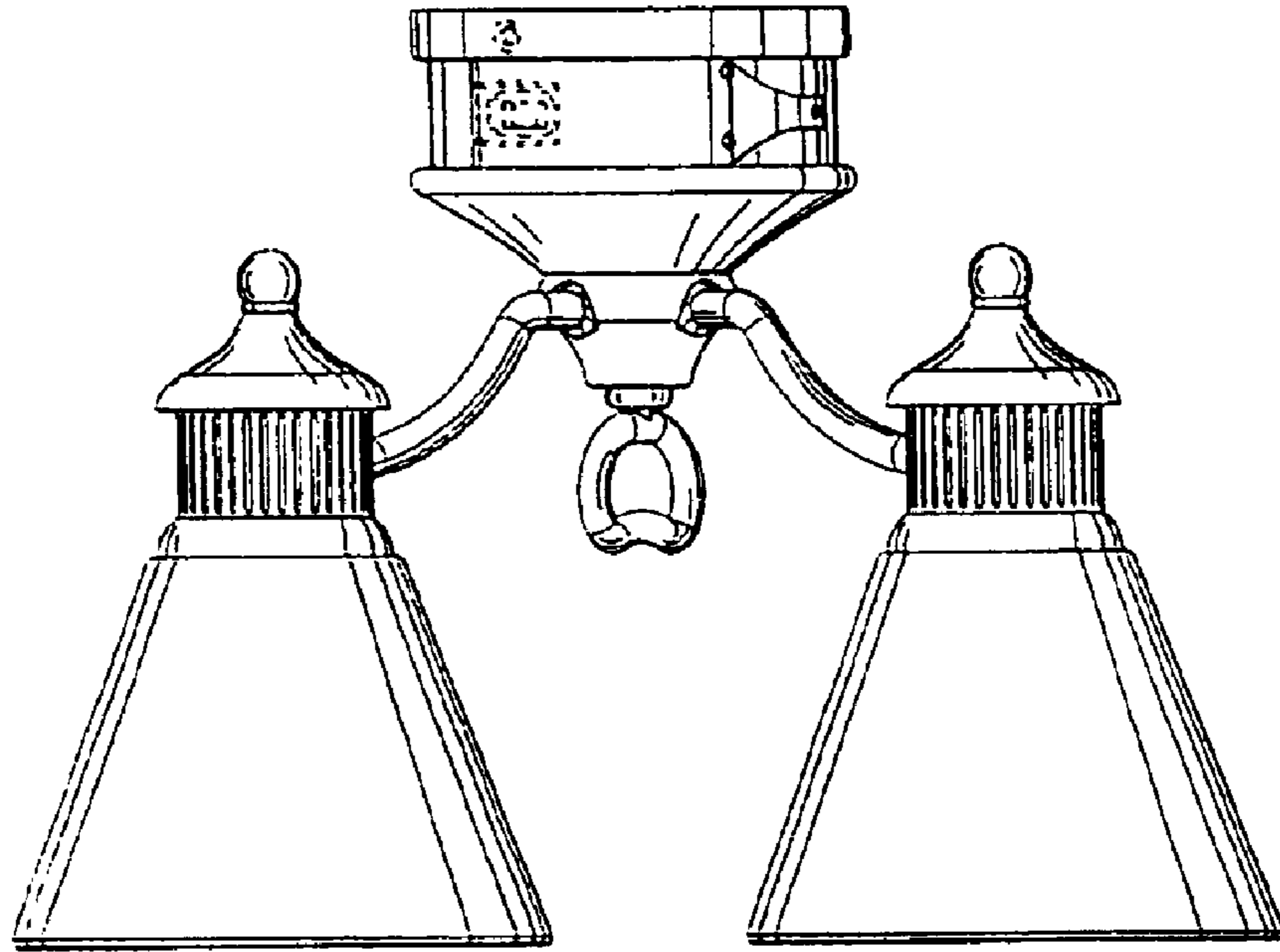


Fig. 5

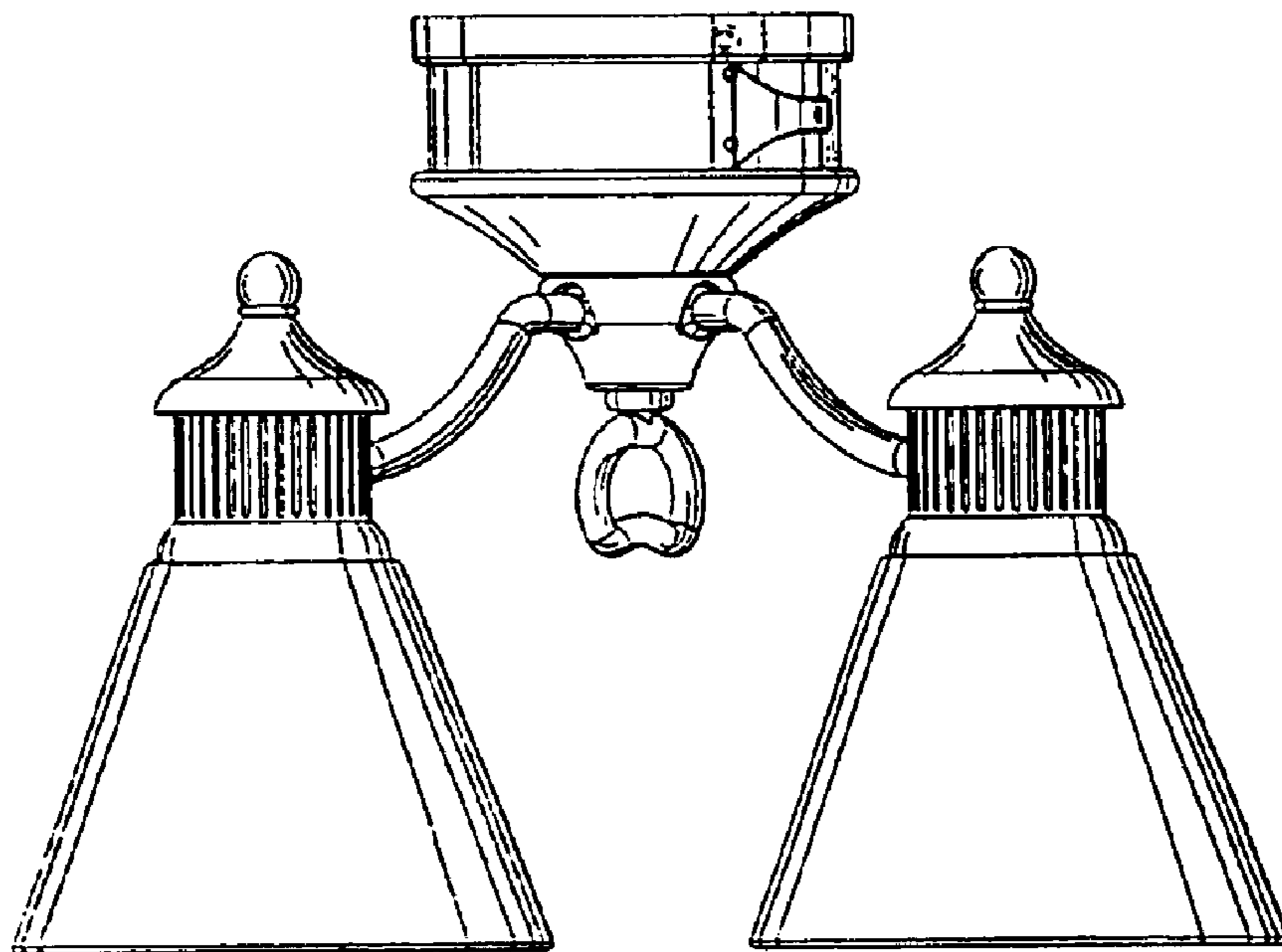


Fig. 7

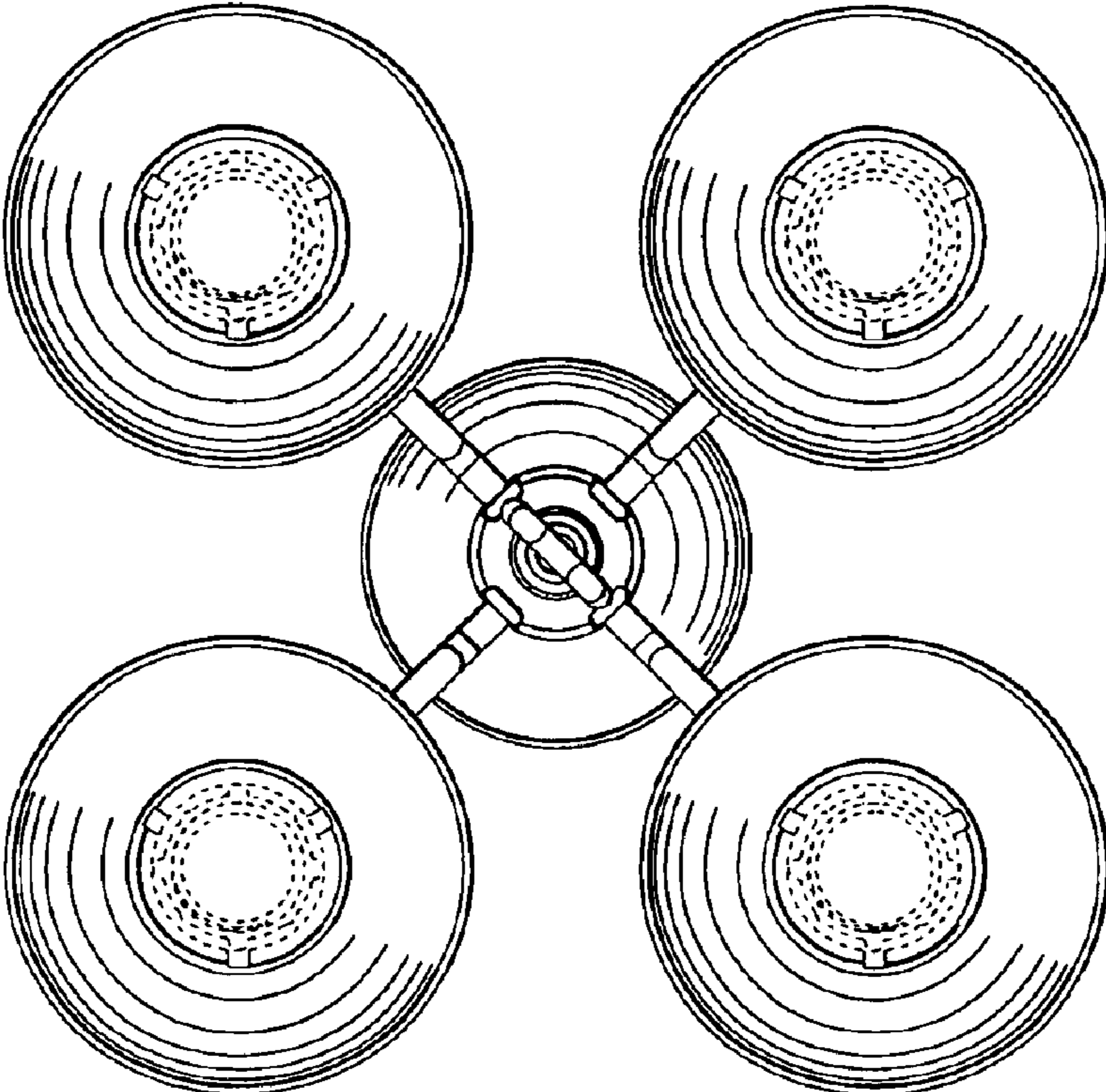


Fig. 6

