

US00D510764S

(12) **United States Design Patent**
Matson

(10) **Patent No.:** **US D510,764 S**

(45) **Date of Patent:** **** Oct. 18, 2005**

(54) **AUXILIARY HEAT EXCHANGER COOLING FAN**

Primary Examiner—Lisa Lichtenstein
(74) *Attorney, Agent, or Firm*—Stephen D. Carver

(75) **Inventor:** **Carl G. Matson**, Jacksonville, AR (US)

(57) **CLAIM**

(73) **Assignee:** **Triangle Engineering of Arkansas, Inc.**, Jacksonville, AR (US)

The ornamental design for an auxiliary heat exchanger cooling fan, as shown.

(**) **Term:** **14 Years**

DESCRIPTION

(21) **Appl. No.:** **29/189,245**

FIG. 1 is a top plan view;

(22) **Filed:** **Sep. 2, 2003**

FIG. 2 is a side elevational view, the opposite side substantially comprising a mirror image thereof;

(51) **LOC (8) Cl.** **23-04**

(52) **U.S. Cl.** **D23/379**

FIG. 3 is a bottom plan view;

(58) **Field of Search** D23/379, 370,
D23/413; 165/104.14, 104.33; 361/696

FIG. 4 is an end elevational view, the opposite end substantially comprising a mirror image thereof;

FIG. 5 is a frontal isometric view; and,

(56) **References Cited**

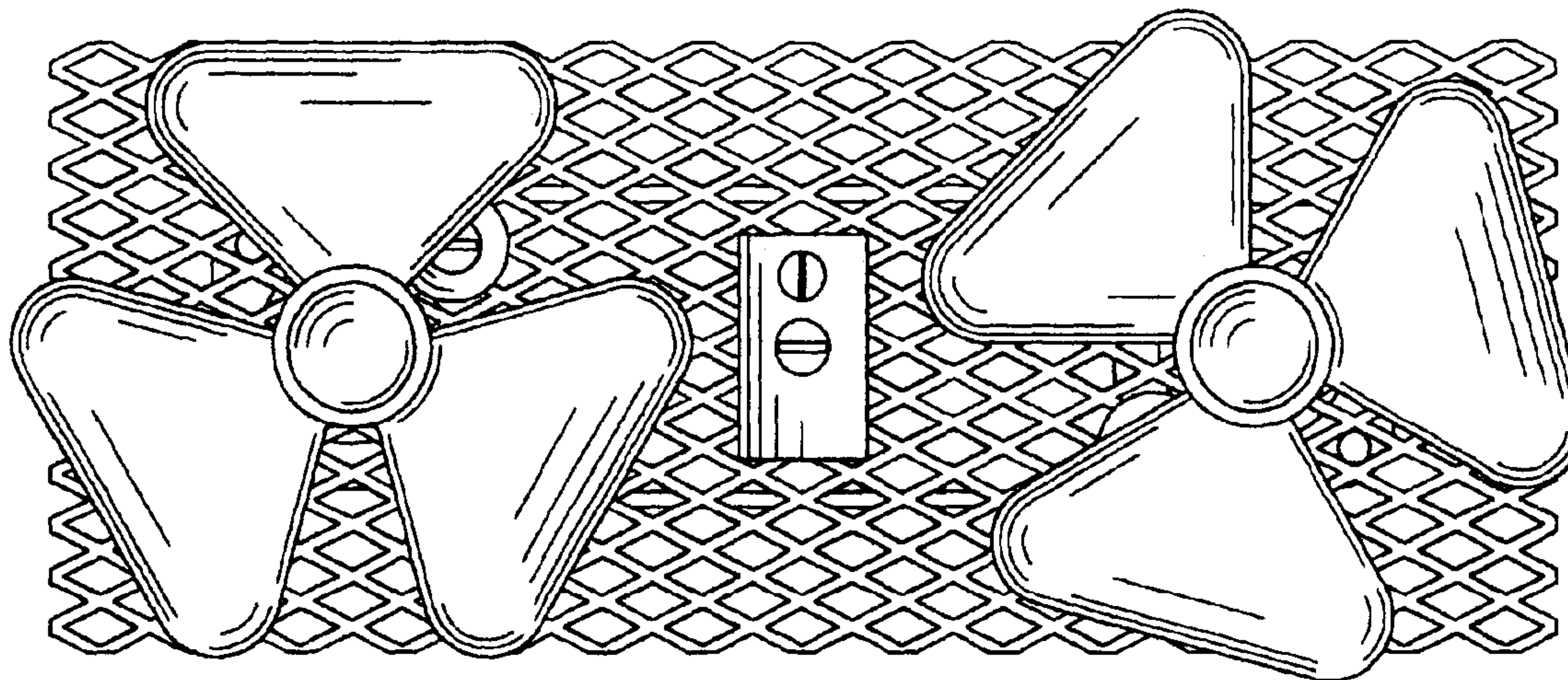
FIG. 6 is a rear isometric view with the fan disposed in an inverted position.

U.S. PATENT DOCUMENTS

4,600,050 A * 7/1986 Noren 165/104.14

* cited by examiner

1 Claim, 3 Drawing Sheets



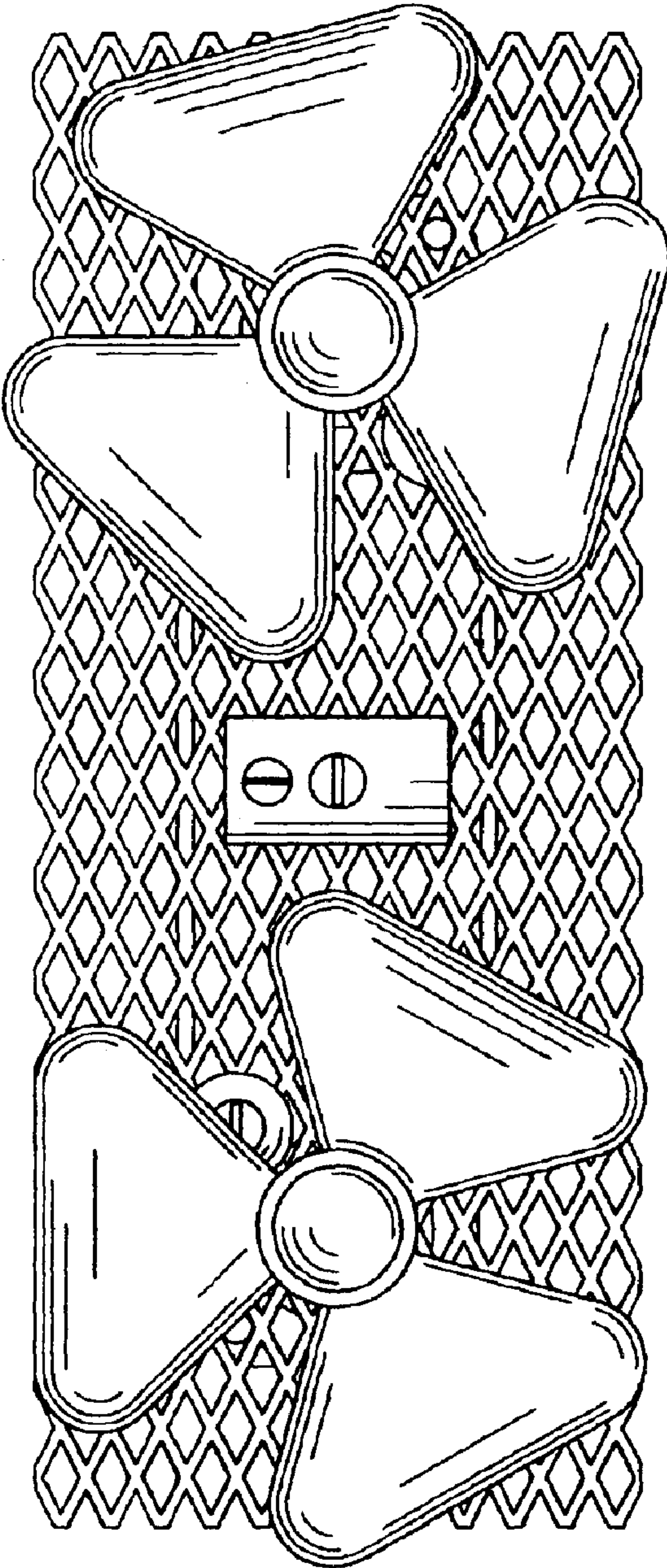


FIG. 1

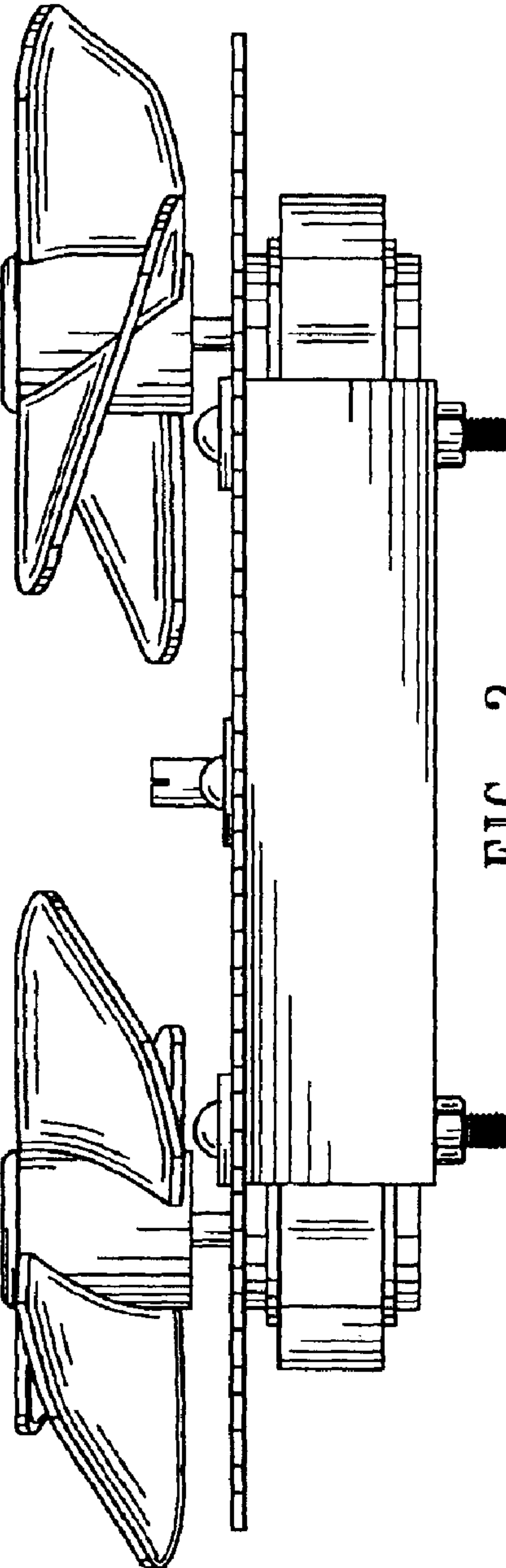


FIG. 2

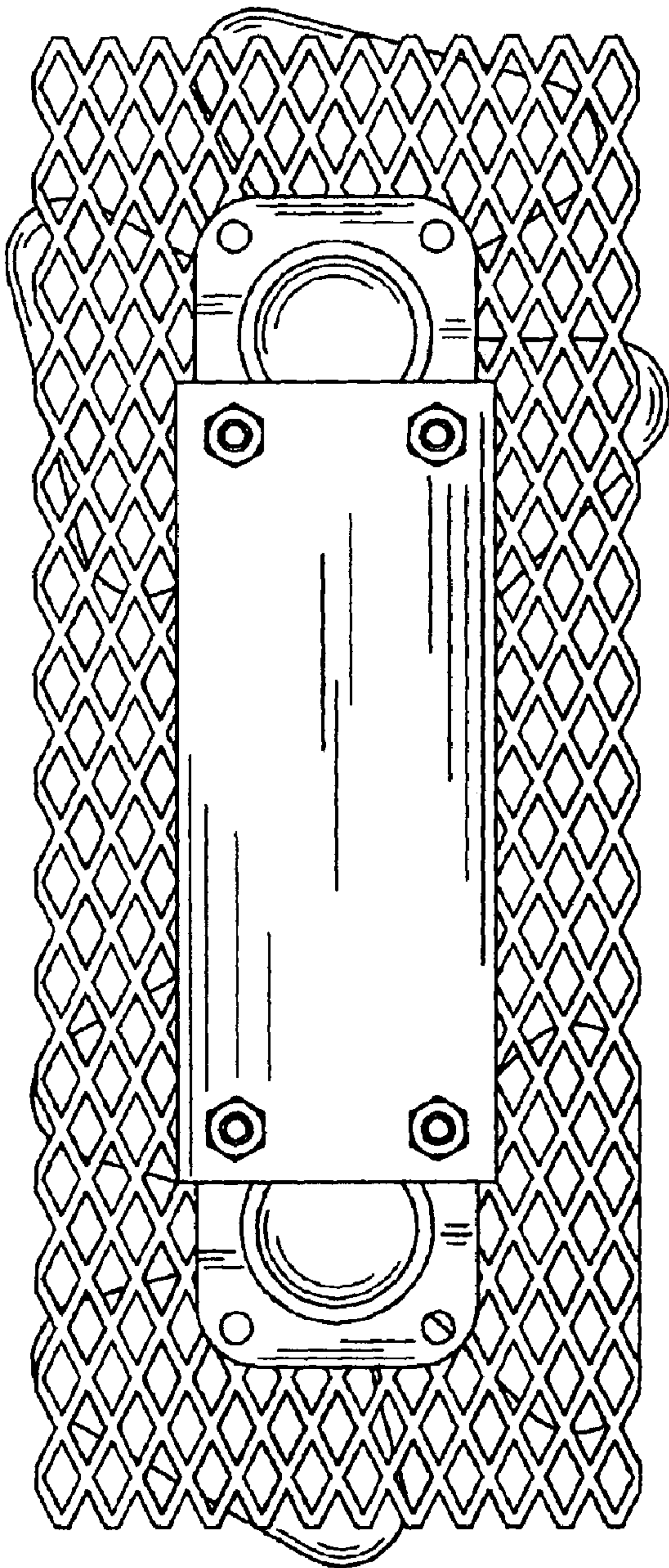


FIG. 3

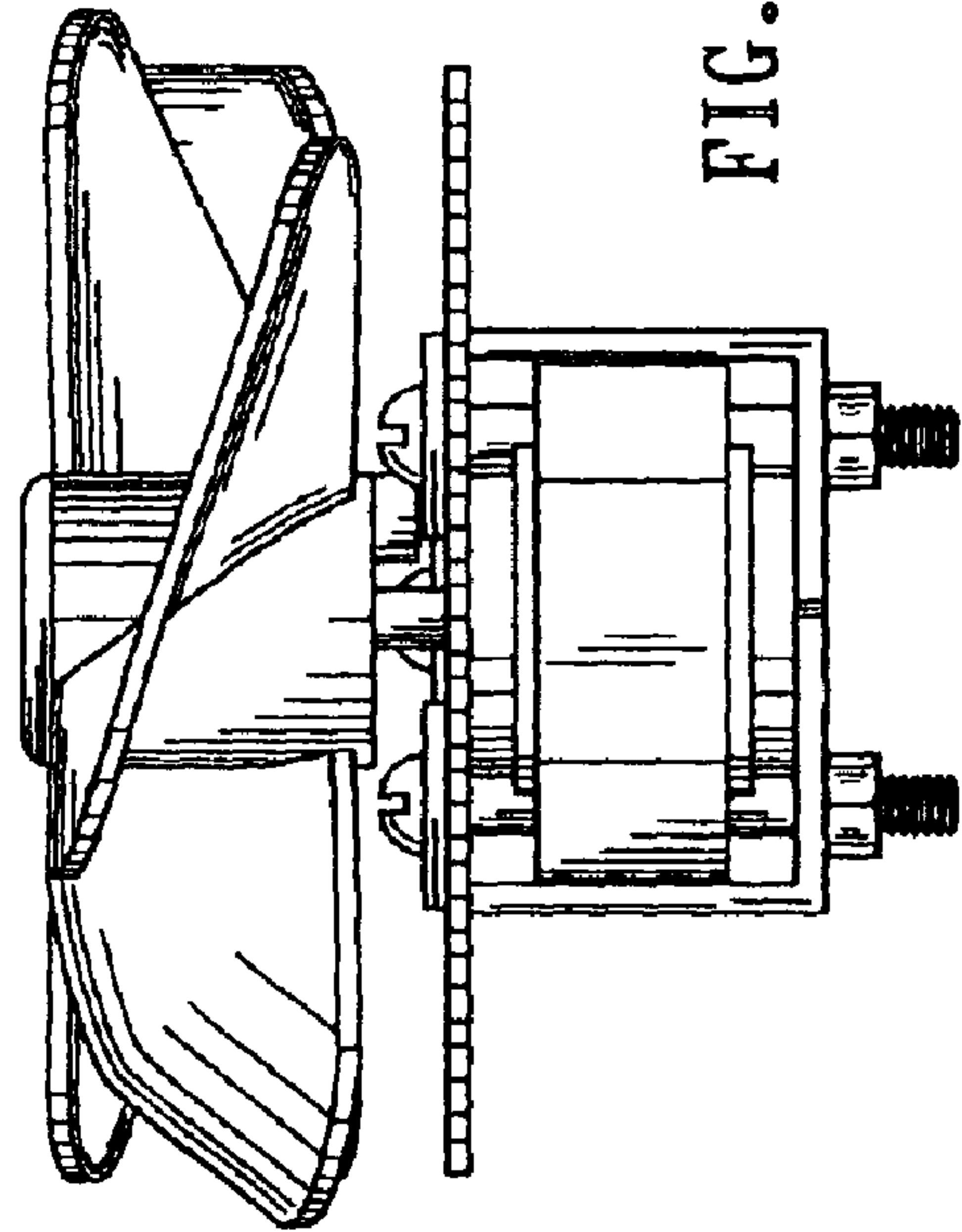


FIG. 4

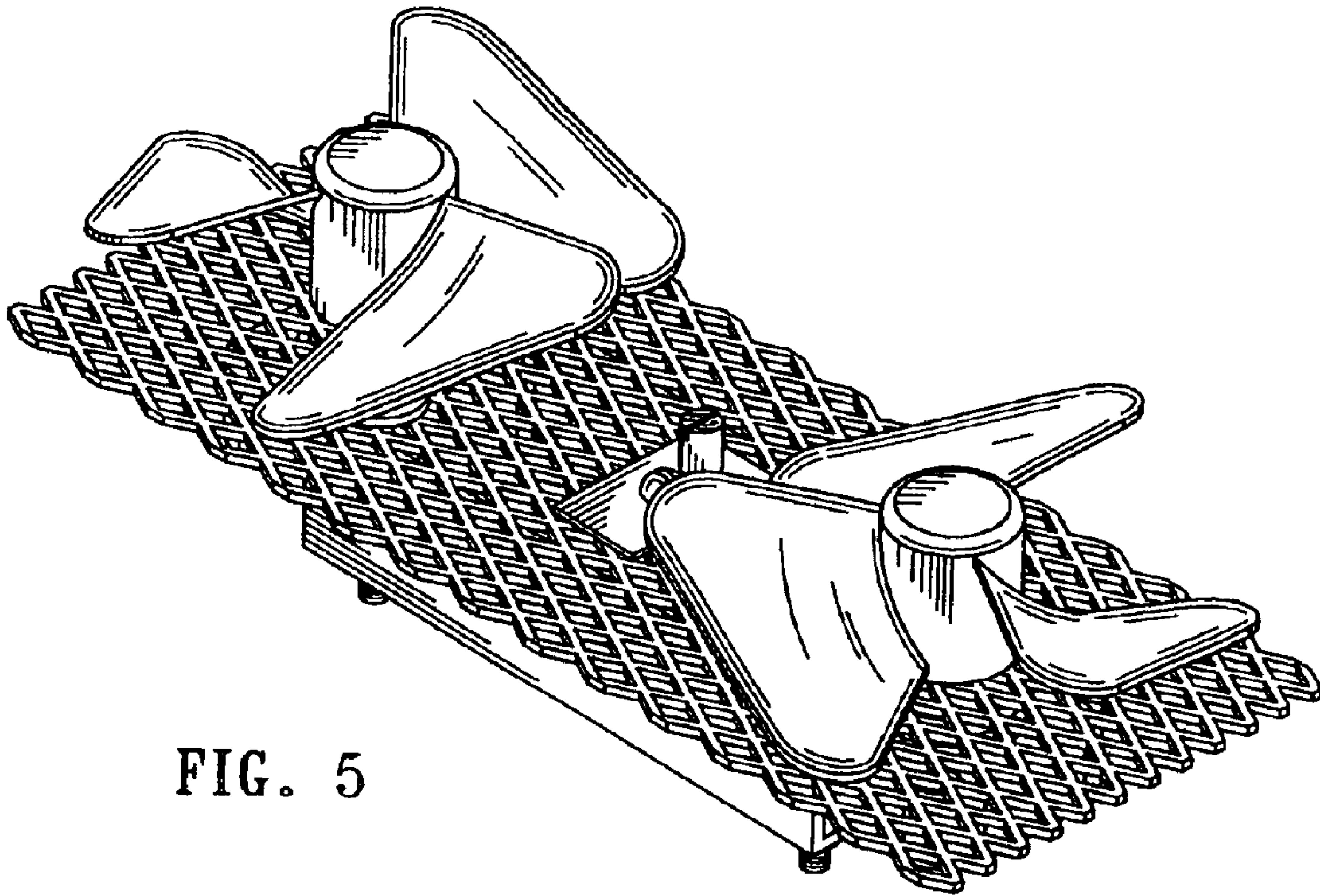


FIG. 5

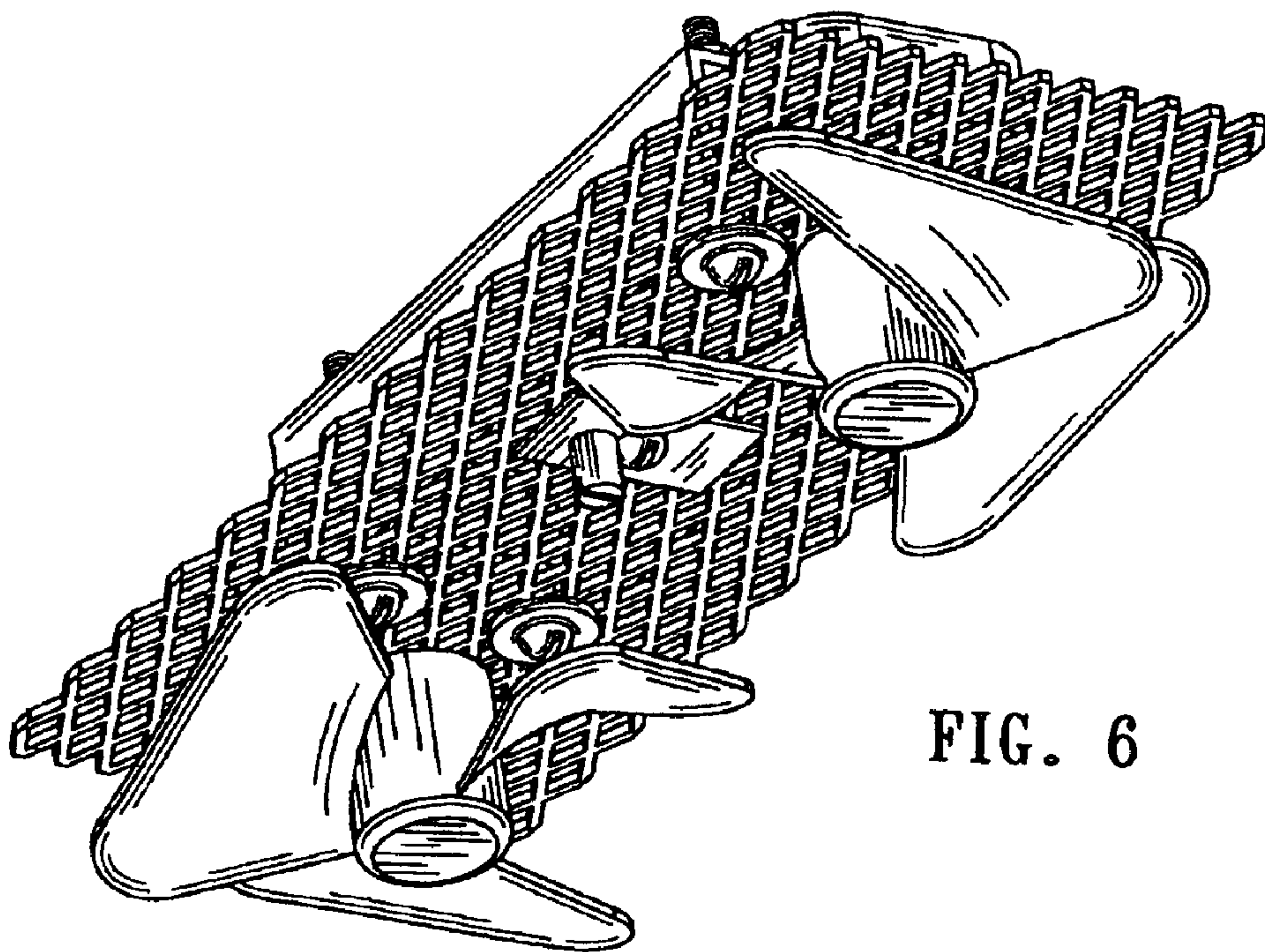


FIG. 6