



US00D510761S

(12) **United States Design Patent**  
Stankus et al.

(10) **Patent No.:** **US D510,761 S**

(45) **Date of Patent:** **\*\* Oct. 18, 2005**

(54) **HEAT RECOVERY UNIT**

(75) Inventors: **Phillip John Stankus**, Coldwaltham  
(GB); **Grant Timothy Lewis**  
**Smetham**, Nr Dorking (GB)

(73) Assignee: **Vent-Axia Limited**, West Sussex (GB)

(\*\*) Term: **14 Years**

(21) Appl. No.: **29/190,032**

(22) Filed: **Sep. 12, 2003**

(30) **Foreign Application Priority Data**

Mar. 14, 2003 (GB) ..... 3011658

(51) **LOC (8) Cl.** ..... **23-04**

(52) **U.S. Cl.** ..... **D23/323**

(58) **Field of Search** ..... D23/322, 323,  
D23/314, 330; 165/144, 157, 135, 178,  
154, 901, 902

(56) **References Cited**

**U.S. PATENT DOCUMENTS**

4,377,201 A \* 3/1983 Kruse et al. .... 165/154  
D286,565 S \* 11/1986 Drucker et al. .... D23/370  
5,002,118 A \* 3/1991 Olmstead et al. .... 165/154  
D376,842 S \* 12/1996 Franklin et al. .... D23/370

D448,460 S \* 9/2001 Hamasaki et al. .... D23/323  
D476,073 S \* 6/2003 Bourgeois ..... D23/370  
D486,898 S \* 2/2004 Kendall ..... D23/323

\* cited by examiner

*Primary Examiner*—Brian N Vinson

(74) *Attorney, Agent, or Firm*—Fay Kaplun & Marcin, LLP

(57) **CLAIM**

The ornamental design for a heat recovery unit, as shown and described.

**DESCRIPTION**

FIG. 1 is a top view of an exemplary embodiment of a heat recovery unit according to the present invention.

FIG. 2 is a front view of the heat recovery unit illustrated in FIG. 1.

FIG. 3 is a bottom view of the heat recovery unit illustrated in FIG. 1.

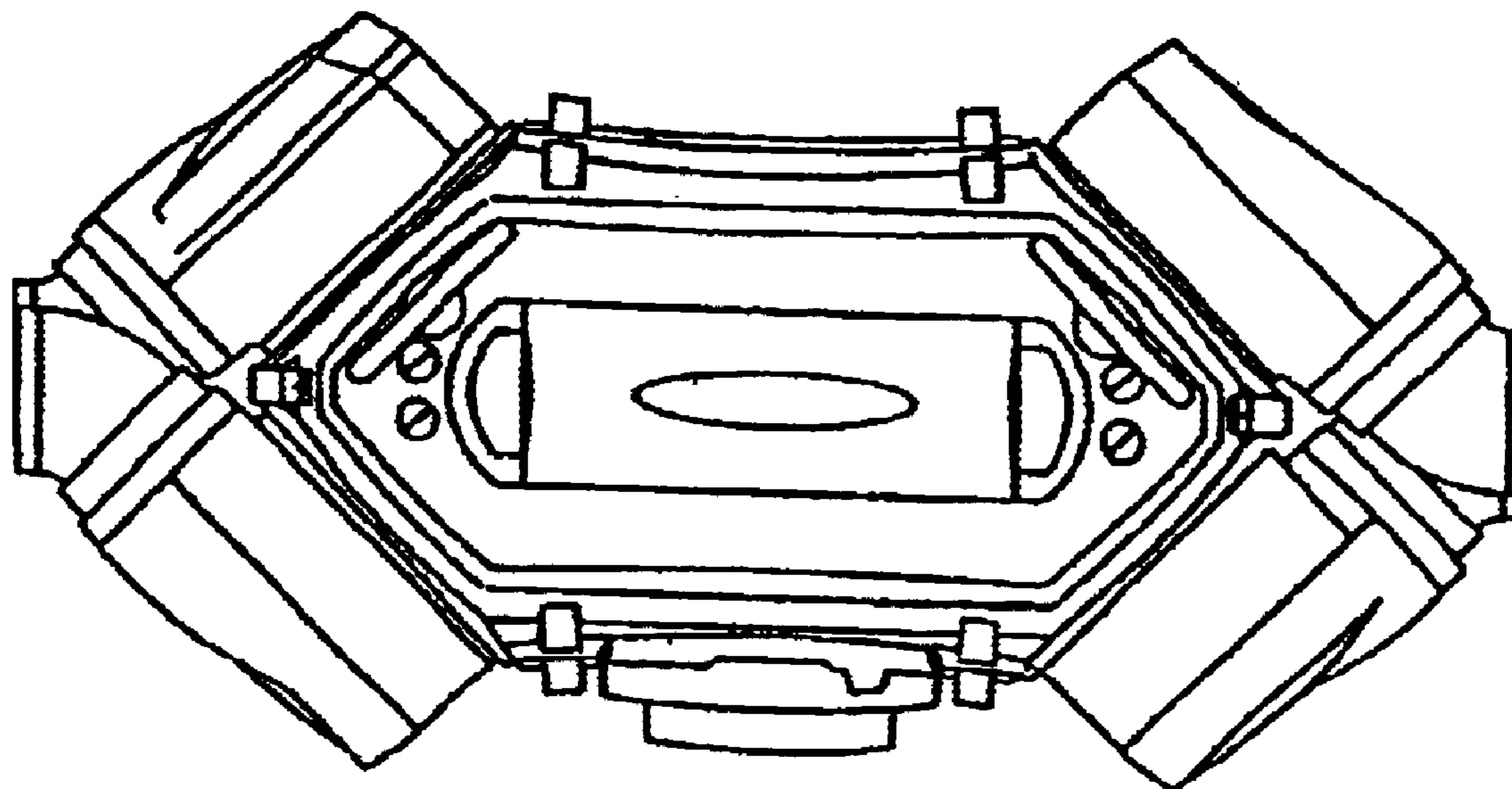
FIG. 4 is a isometric view of the heat recovery unit illustrated in FIG. 1.

FIG. 5 is a rear view of the heat recovery unit illustrated in FIG. 1.

FIG. 6 is a right side view of the heat recovery unit illustrated in FIG. 1; and,

FIG. 7 is a left side view of the heat recovery unit illustrated in FIG. 1.

**1 Claim, 7 Drawing Sheets**



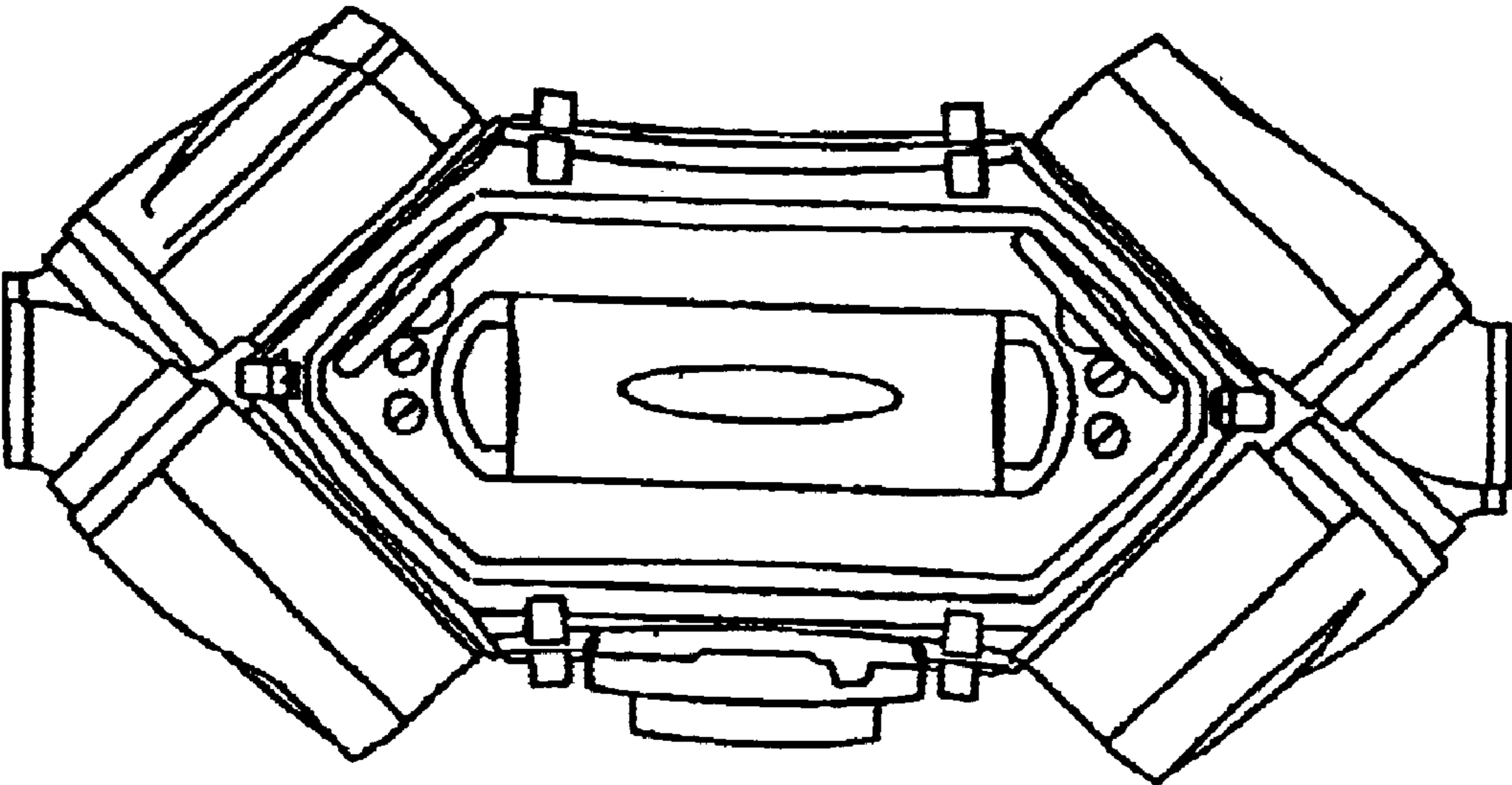


Figure 1

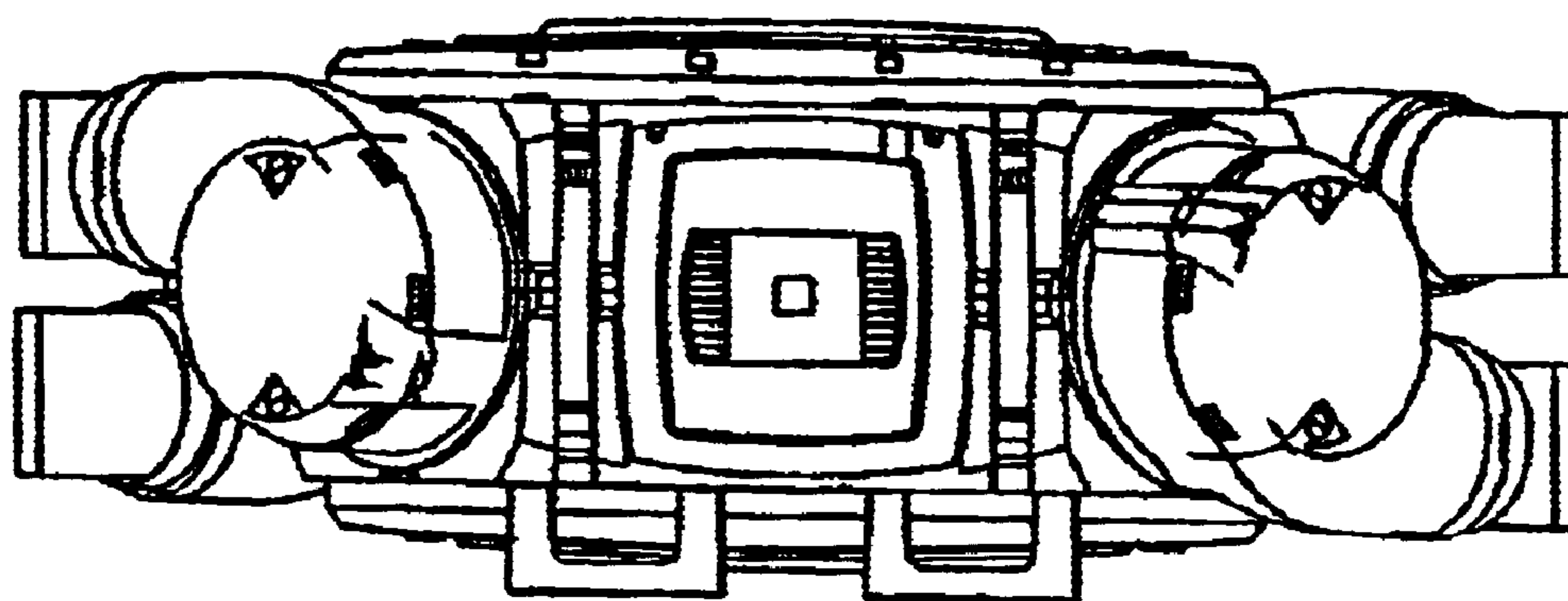


Figure 2

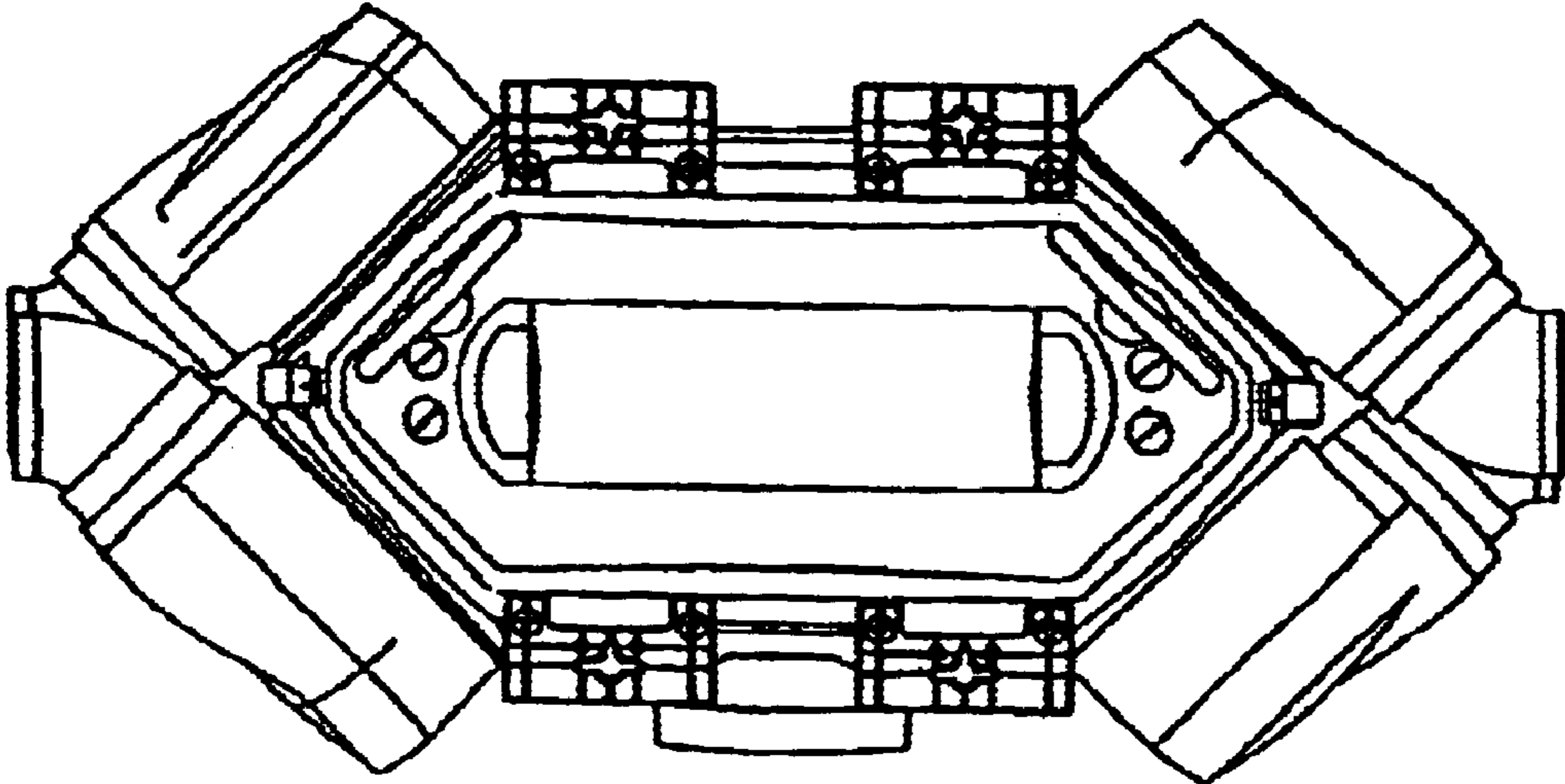


Figure 3

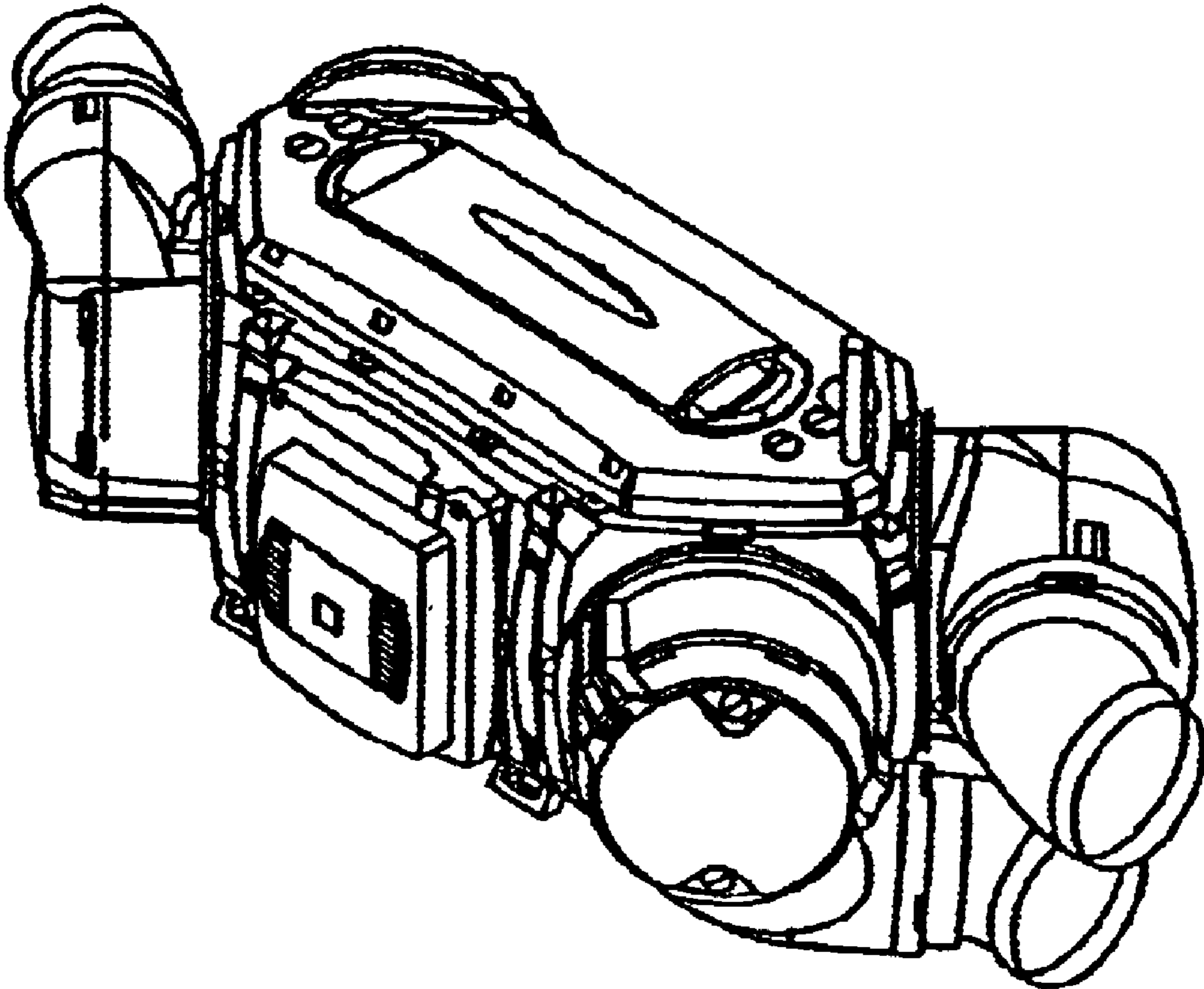


Figure 4

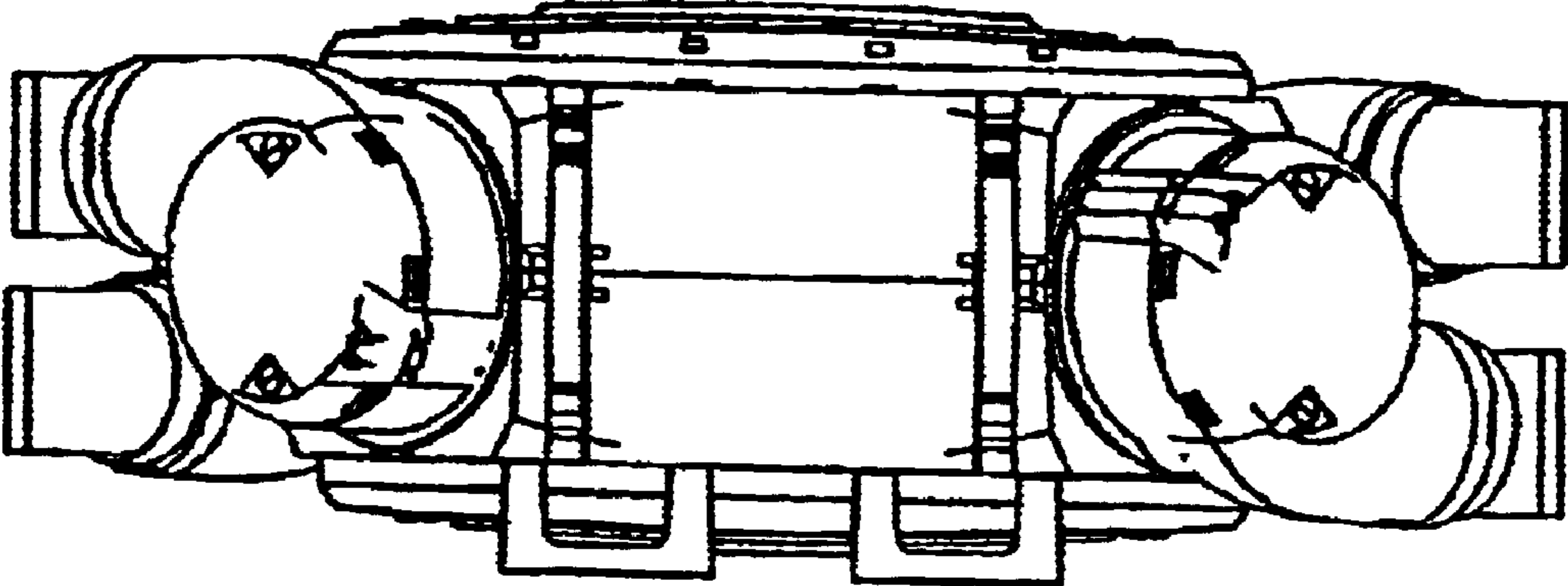


Figure 5



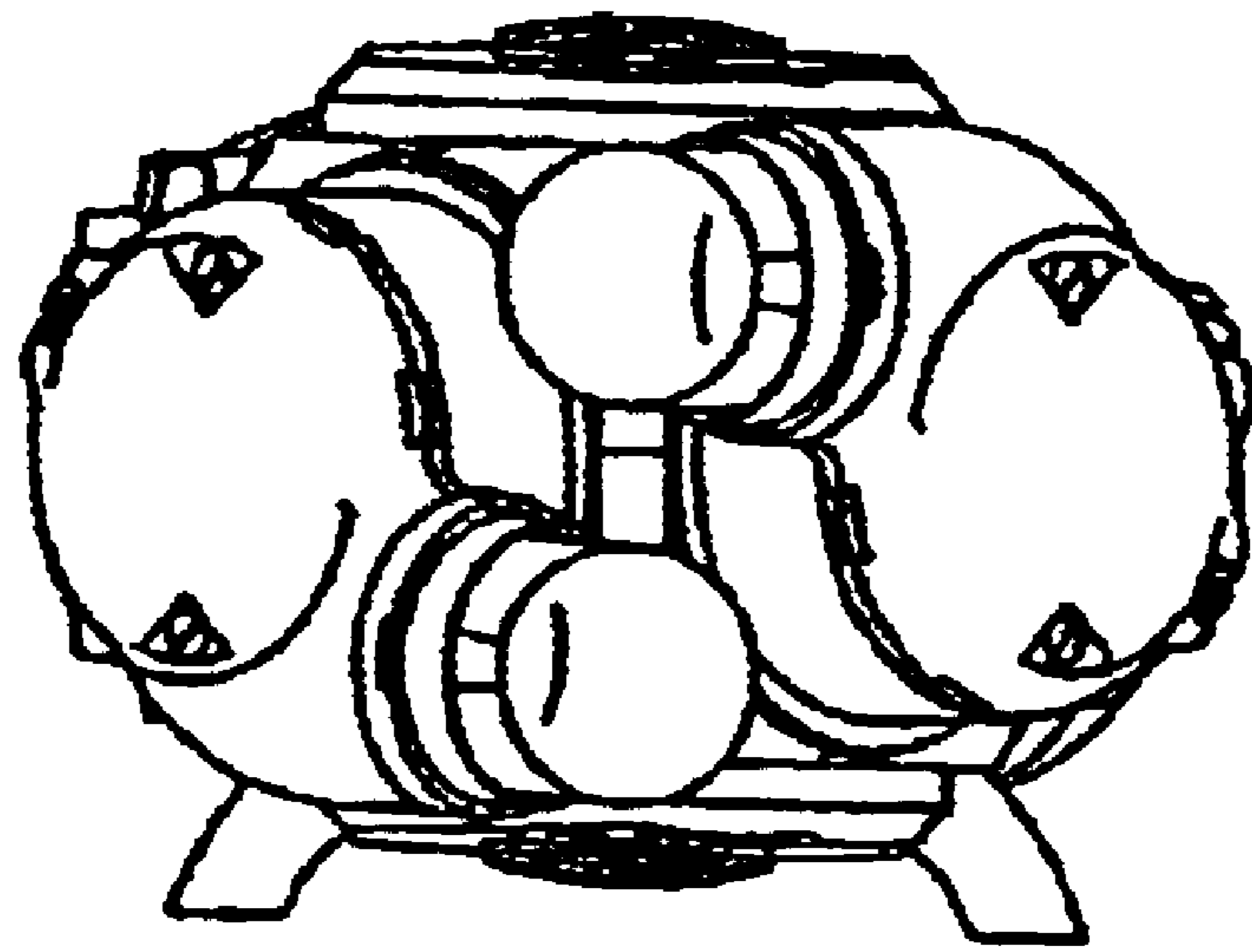


Figure 6

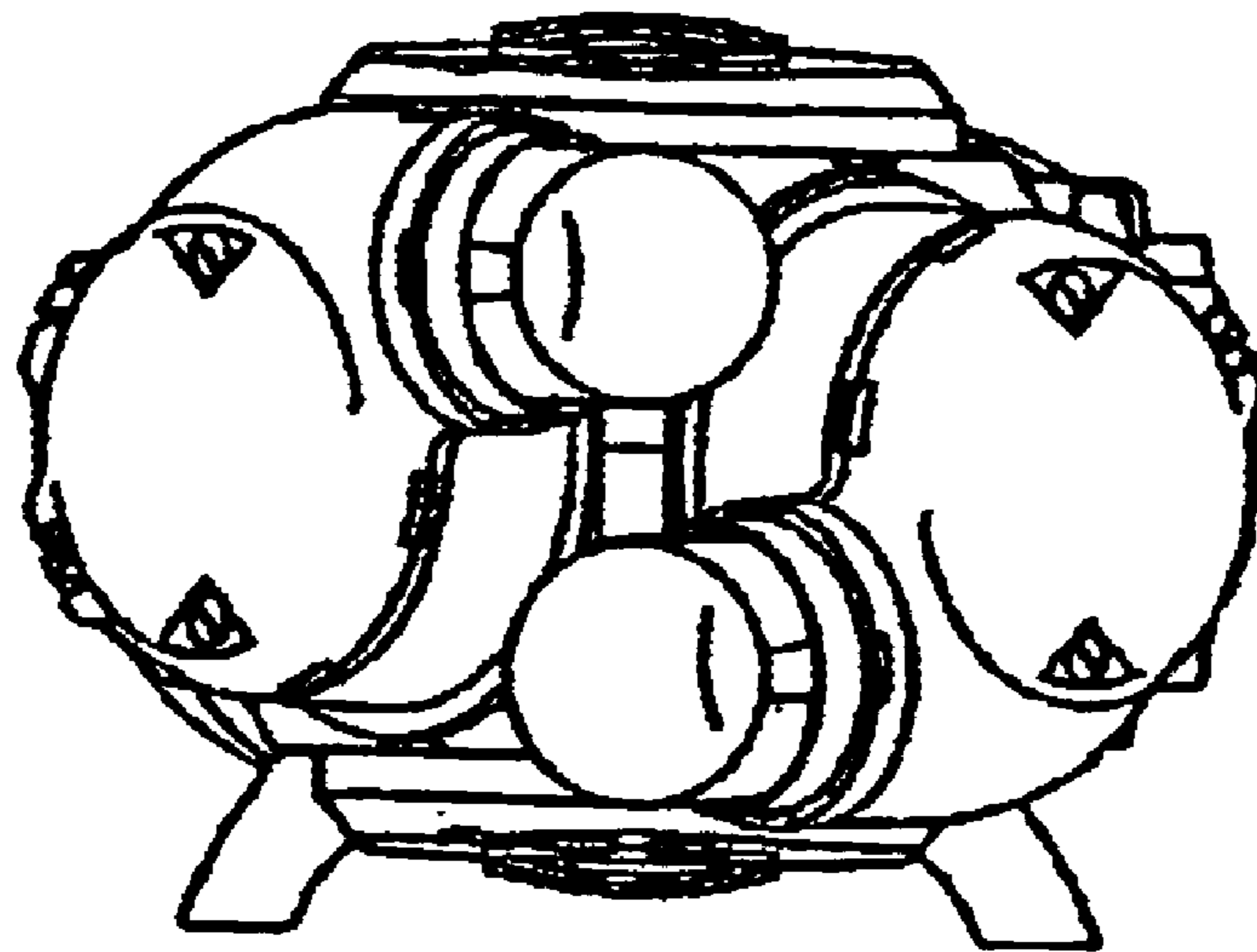


Figure 7