



US00D510759S

(12) **United States Design Patent**  
**Lord et al.**

(10) **Patent No.: US D510,759 S**  
(45) **Date of Patent: \*\* Oct. 18, 2005**

(54) **FAUCET ASSEMBLY**

D502,534 S \* 3/2005 Panis et al. .... D23/242

(75) Inventors: **Judd A. Lord**, Carmel, IN (US);  
**Federico G. Otero**, Carmel, IN (US)

\* cited by examiner

(73) Assignee: **Masco Corporation of Indiana**,  
Indianapolis, IN (US)

*Primary Examiner*—Louis S. Zarfes  
*Assistant Examiner*—Gregory Andoll  
(74) *Attorney, Agent, or Firm*—Kwadjo Adusei-Poku;  
Lloyd D. Doigan

(\*\*) Term: **14 Years**

(57) **CLAIM**

(21) Appl. No.: **29/201,200**

The ornamental design for a faucet assembly, as shown and described.

(22) Filed: **Mar. 11, 2004**

**DESCRIPTION**

(51) **LOC (8) Cl.** ..... **23-01**

(52) **U.S. Cl.** ..... **D23/241; D23/242**

(58) **Field of Search** ..... D23/238–257;  
4/675–678; 137/801

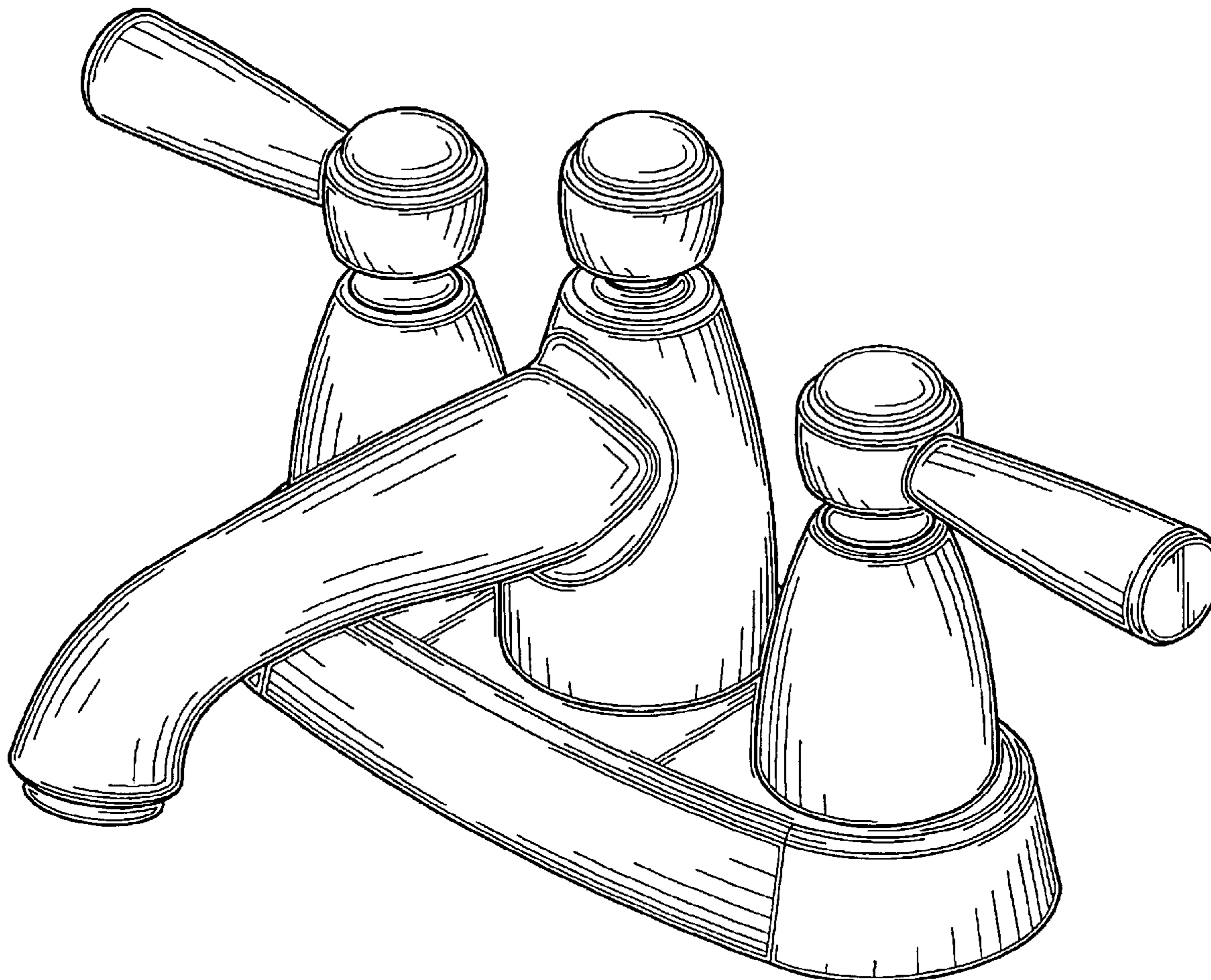
FIG. 1 is a front perspective view of a faucet assembly showing our new design;  
FIG. 2 is a rear perspective view thereof;  
FIG. 3 is a front elevational view thereof;  
FIG. 4 is a left side elevational view thereof;  
FIG. 5 is a rear elevational view thereof;  
FIG. 6 is a right side elevational view thereof; and,  
FIG. 7 is a top plan view thereof.

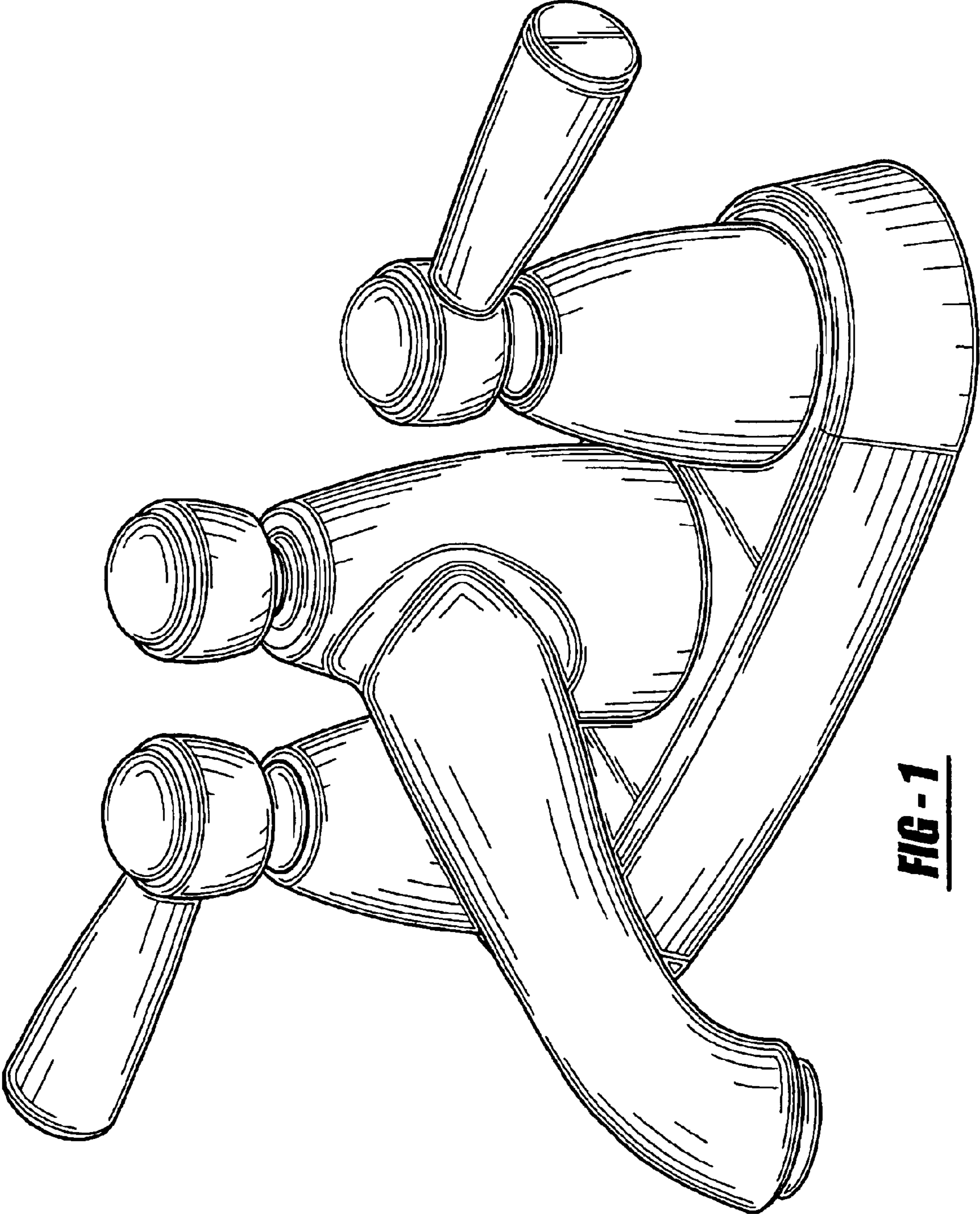
(56) **References Cited**

**U.S. PATENT DOCUMENTS**

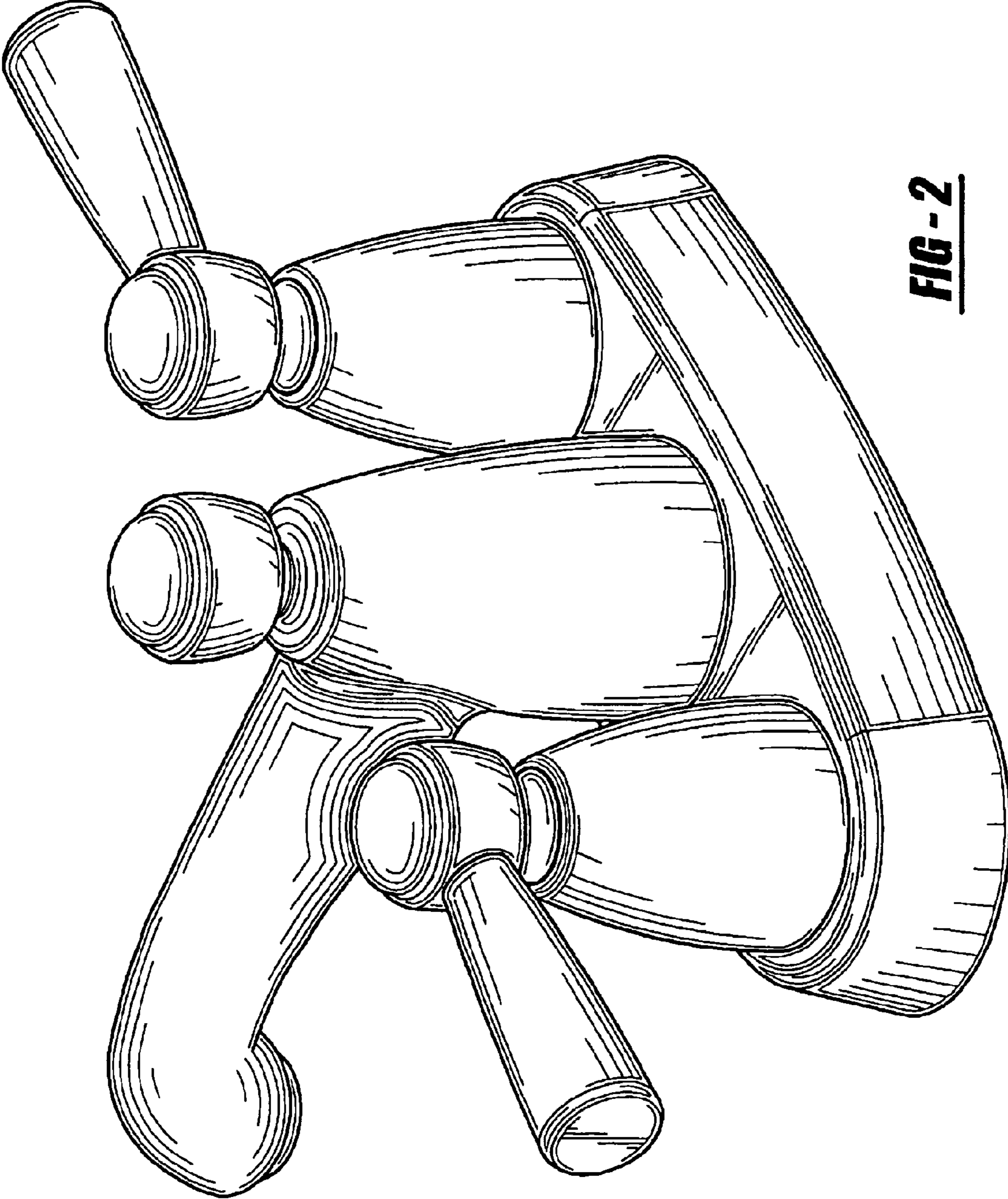
- D466,194 S \* 11/2002 Otero et al. .... D23/242
- D466,590 S \* 12/2002 Otero et al. .... D23/242
- D488,538 S \* 4/2004 Graves et al. .... D23/241

**1 Claim, 7 Drawing Sheets**

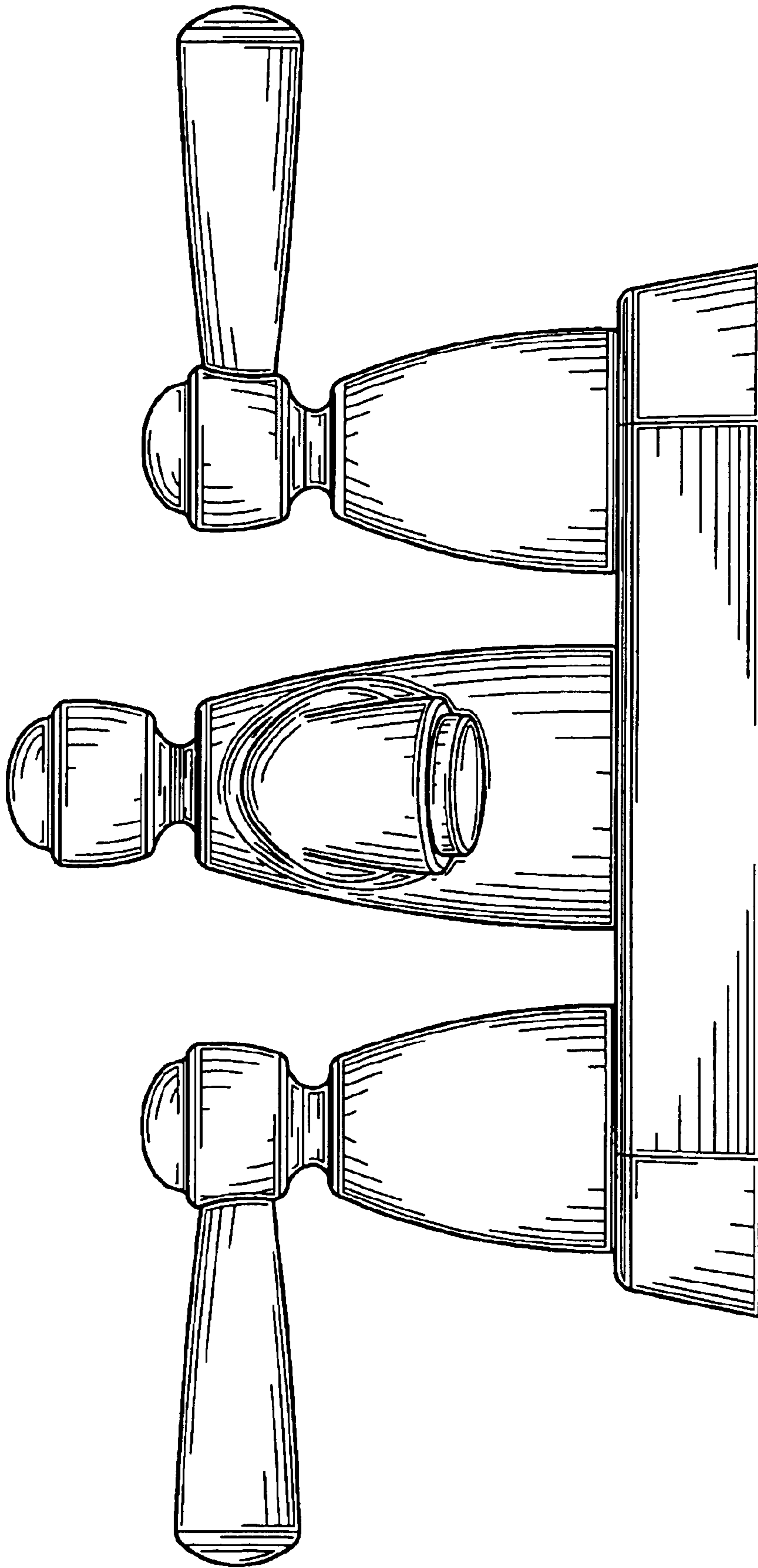




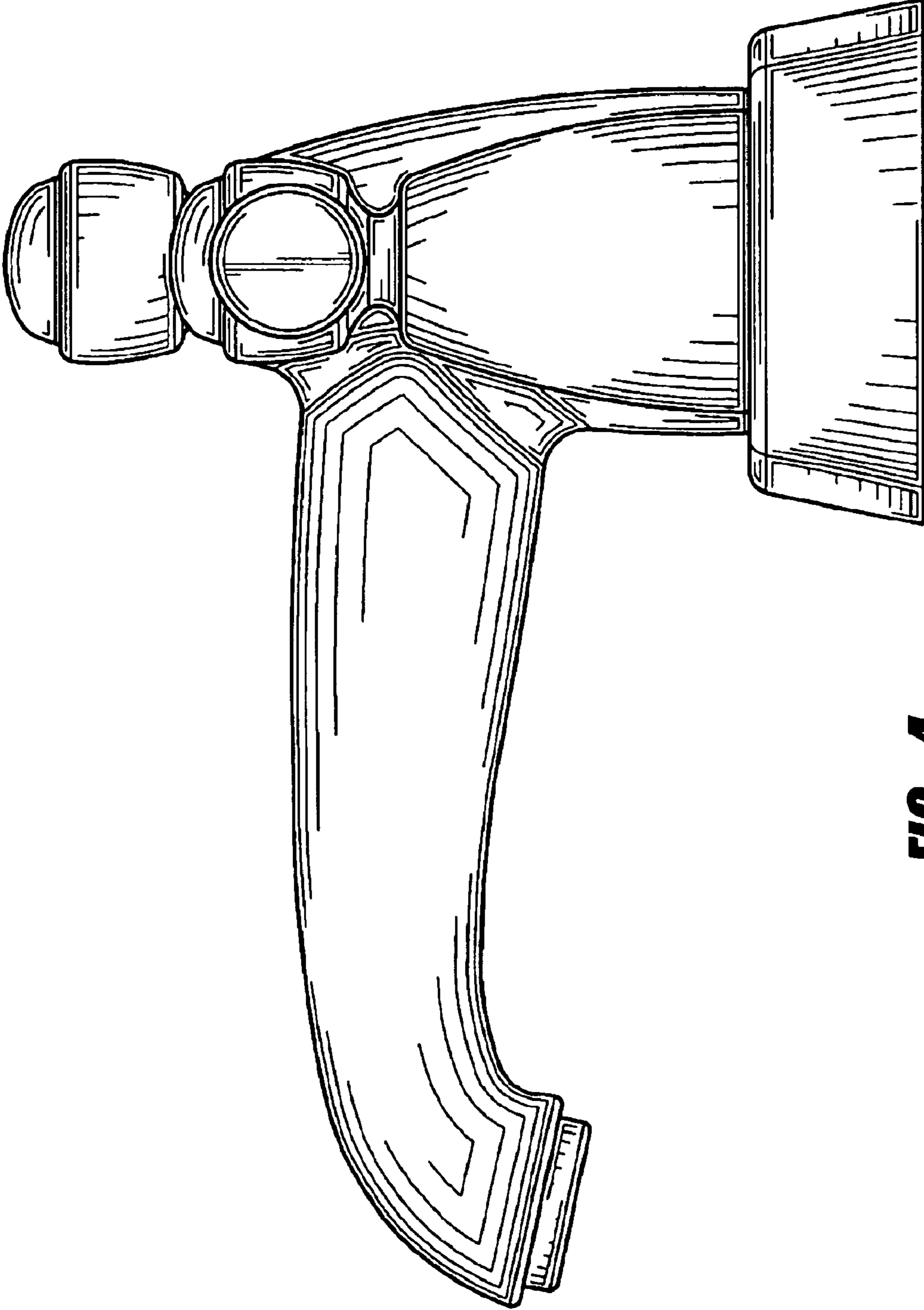
**FIG - 1**



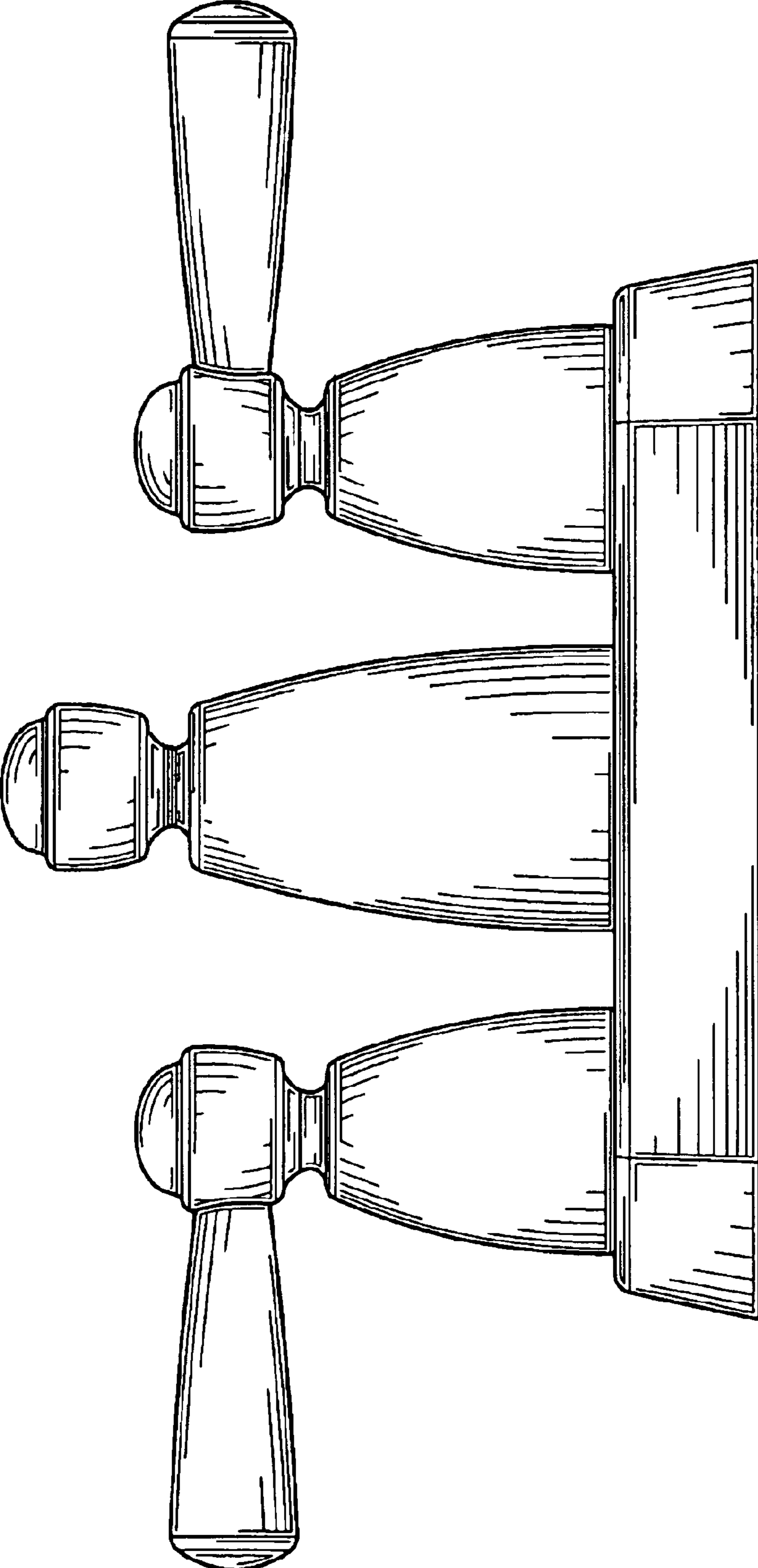
**FIG - 2**



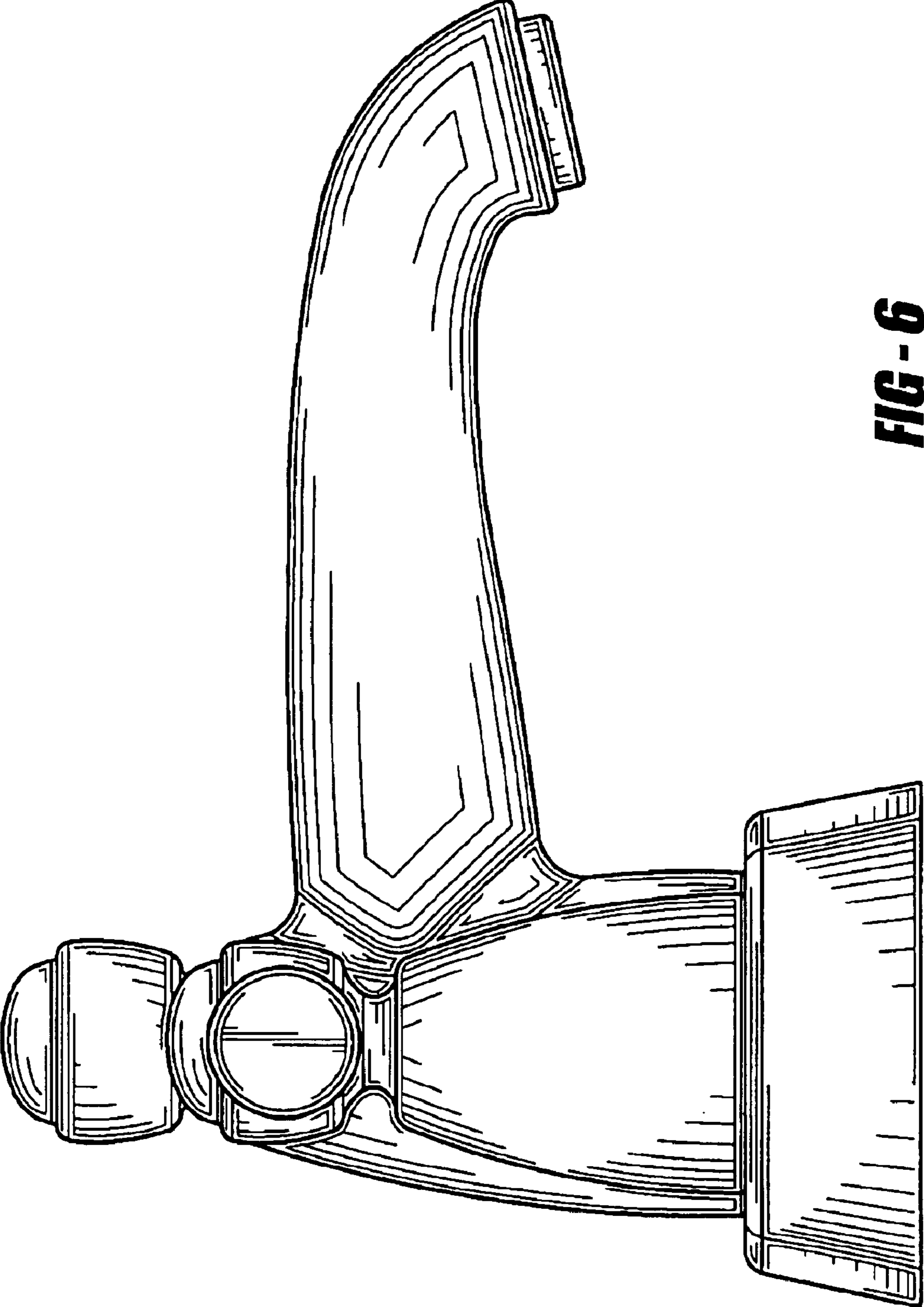
**FIG - 3**



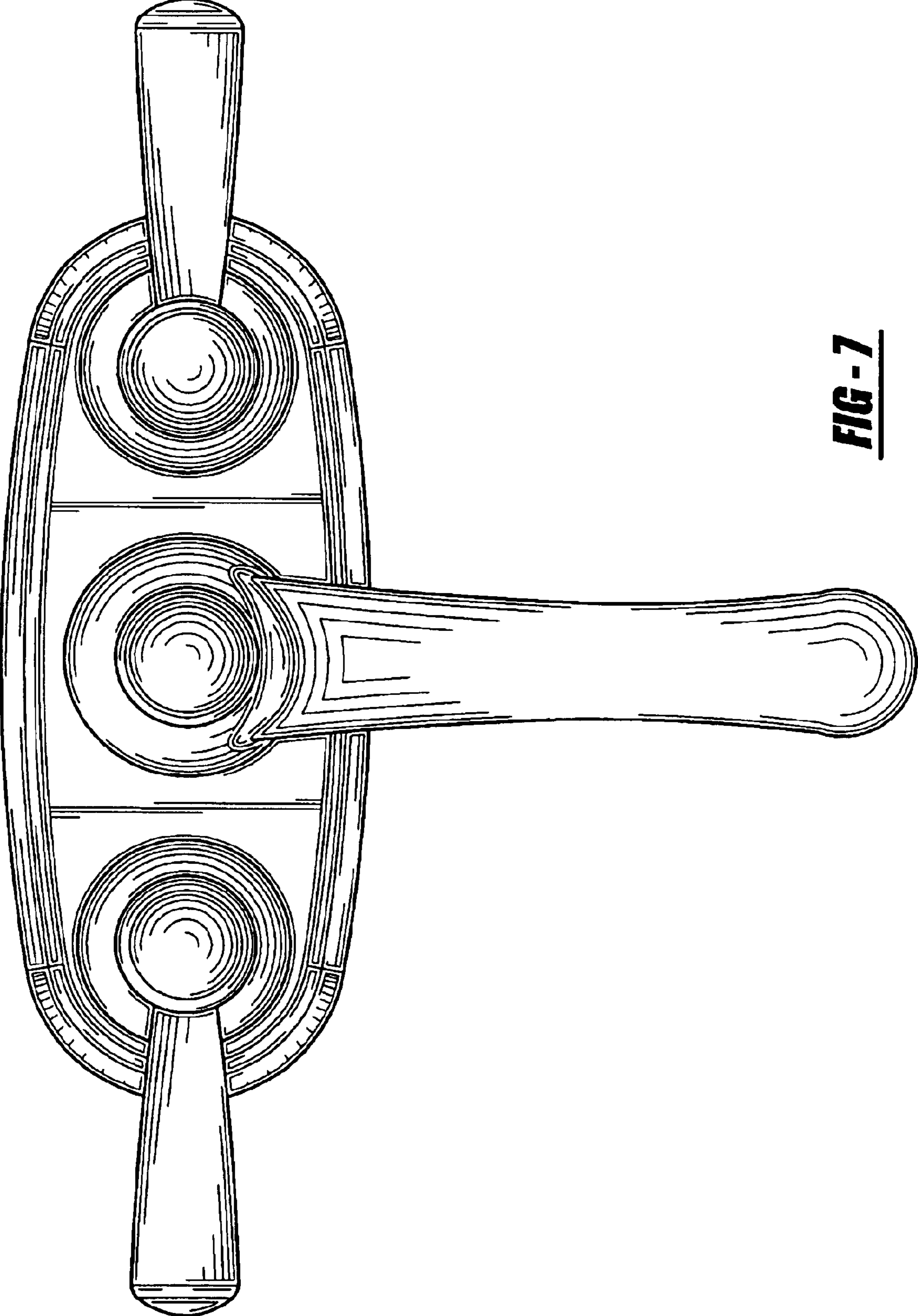
**FIG - 4**



**FIG - 5**



**FIG - 6**



**FIG - 7**