



US00D510757S

(12) **United States Design Patent**
Donald et al.

(10) **Patent No.: US D510,757 S**
(45) **Date of Patent: ** Oct. 18, 2005**

(54) **TRIO SEWAGE TREATMENT PLANT**

D431,858 S * 10/2000 Nagato D23/202
6,200,472 B1 * 3/2001 Donald et al. 210/195.1

(76) Inventors: **Hubbard H. Donald**, 2247 Highway
151 North, Downsville, LA (US) 71234;
George E. Johnson, 2247 Highway 151
North, Downsville, LA (US) 71234

* cited by examiner

Primary Examiner—Robin V. Taylor
(74) *Attorney, Agent, or Firm*—Phelps Dunbar, LLP

(**) Term: **14 Years**

(57) **CLAIM**

The ornamental design for a trio sewage treatment plant, as shown and described.

(21) Appl. No.: **29/200,641**

(22) Filed: **Mar. 2, 2004**

DESCRIPTION

(51) **LOC (8) Cl.** **23-01**

FIG. 1 is a perspective view of the trio sewage treatment plant showing my new design from an angle above the article;

(52) **U.S. Cl.** **D23/203; D23/205**

FIG. 2 is a perspective view of the trio sewage treatment plant from an angle slightly below the article;

(58) **Field of Search** D23/202, 203,
D23/206, 207; D32/53; 220/4.32, 4.26,
4.27; 210/532.2, 195.1, 257.1

FIG. 3 is a top view;

FIG. 4 is a bottom view;

FIG. 5 is a side view;

FIG. 6 is the other side view;

FIG. 7 is an end view; and,

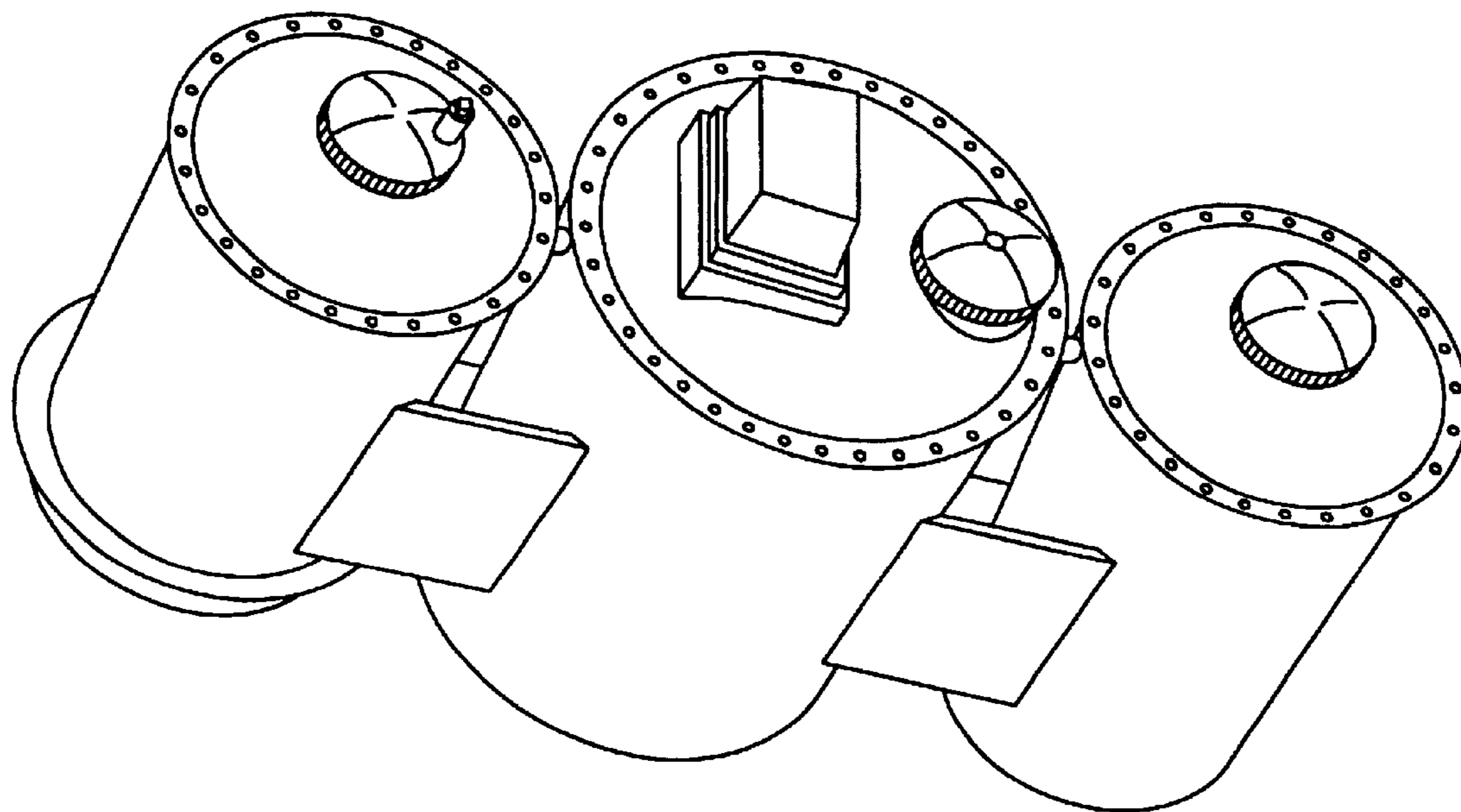
FIG. 8 is the other end view.

(56) **References Cited**

U.S. PATENT DOCUMENTS

2,470,432 A * 5/1949 Cusick 220/23.4
3,485,408 A * 12/1969 Benesch 220/4.26
D347,257 S * 5/1994 McGrew, Jr. D23/202
5,575,908 A * 11/1996 Mondragon, Jr. 210/257.1

1 Claim, 8 Drawing Sheets



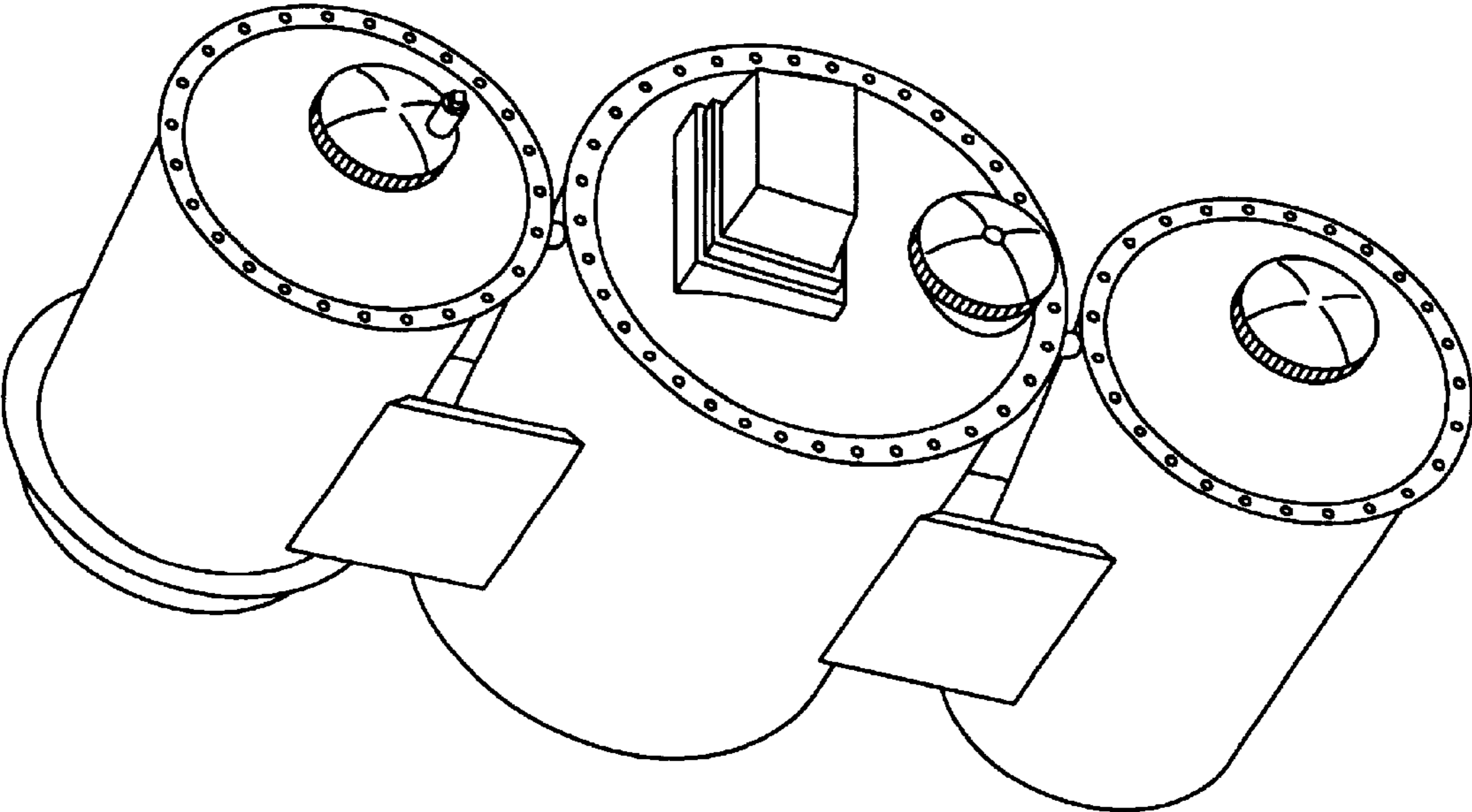


Fig.1

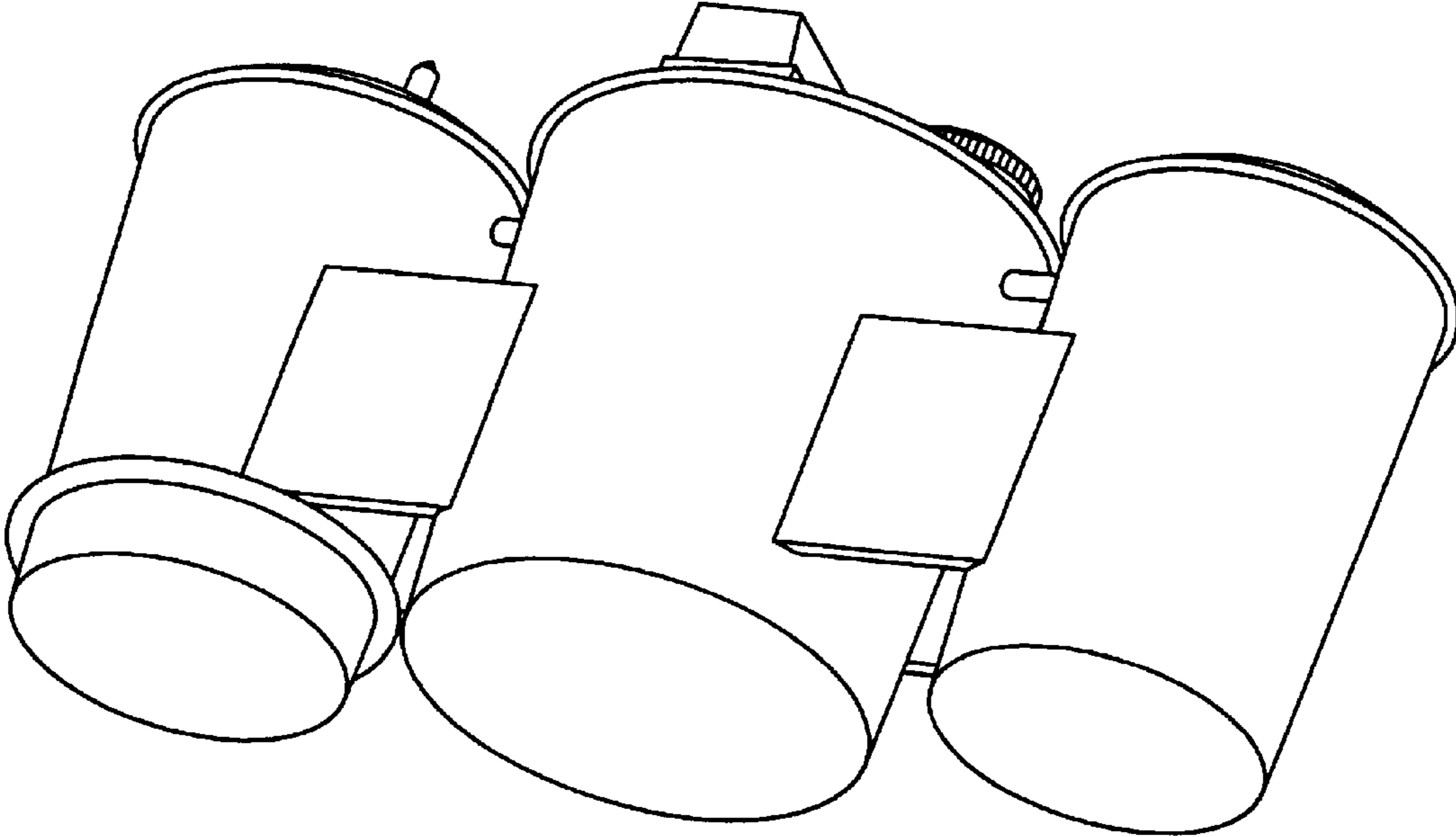


Fig.2

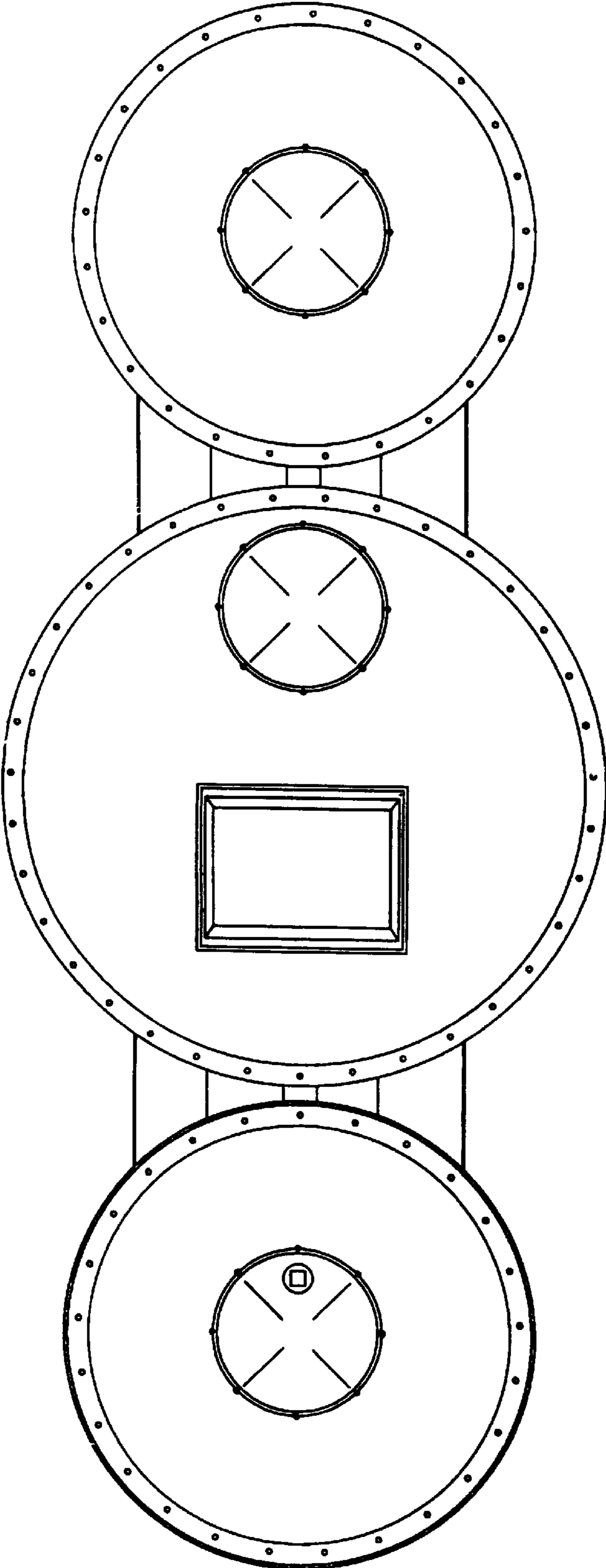


Fig. 3

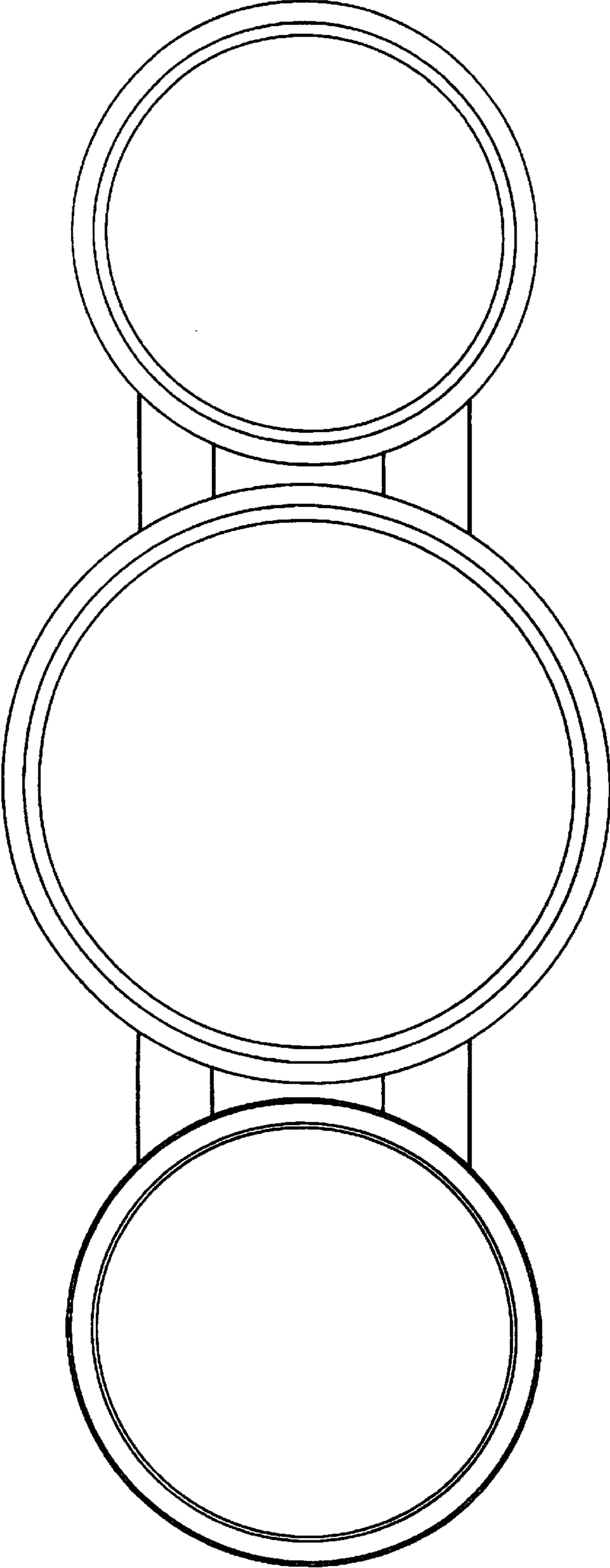


Fig. 4

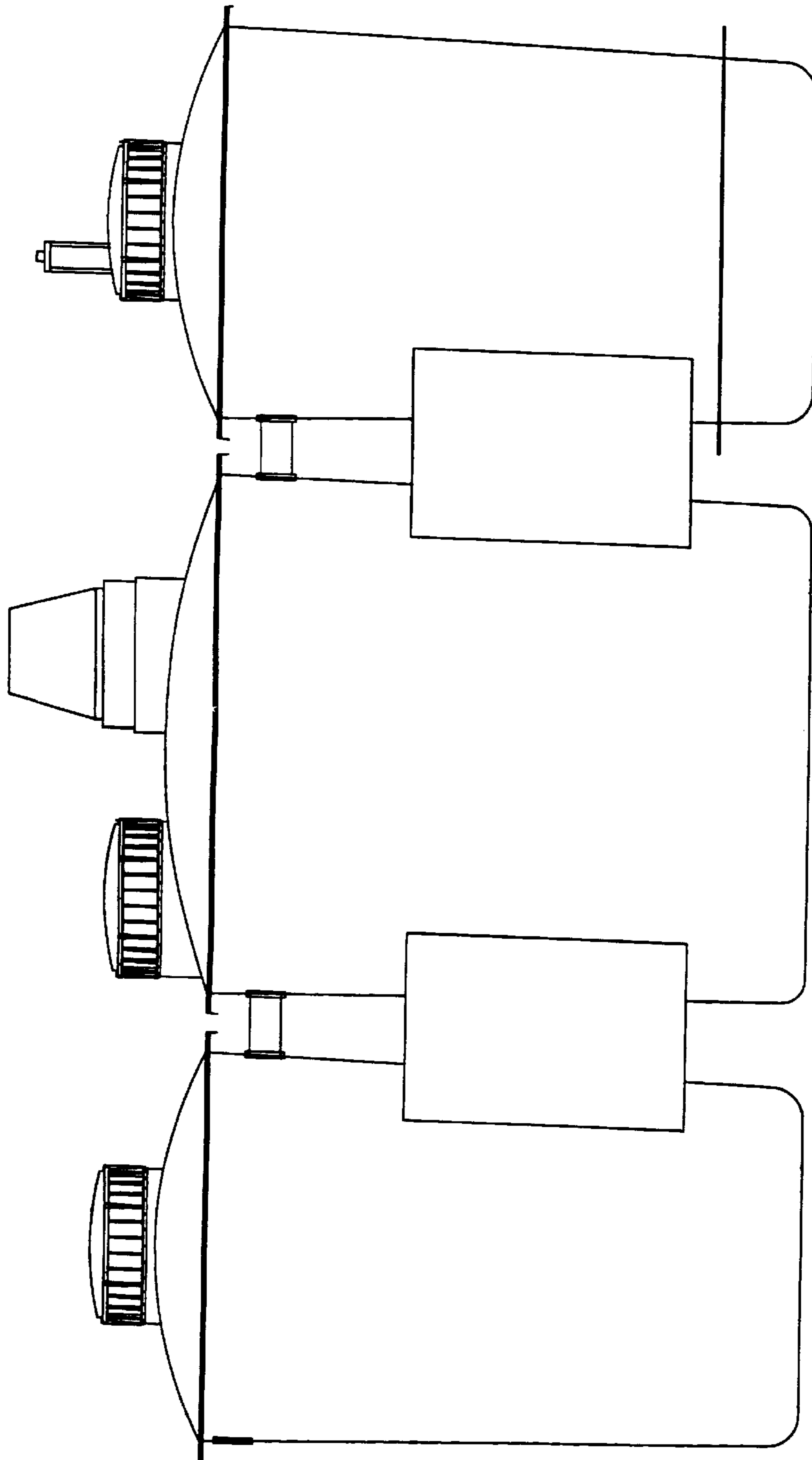


Fig. 5

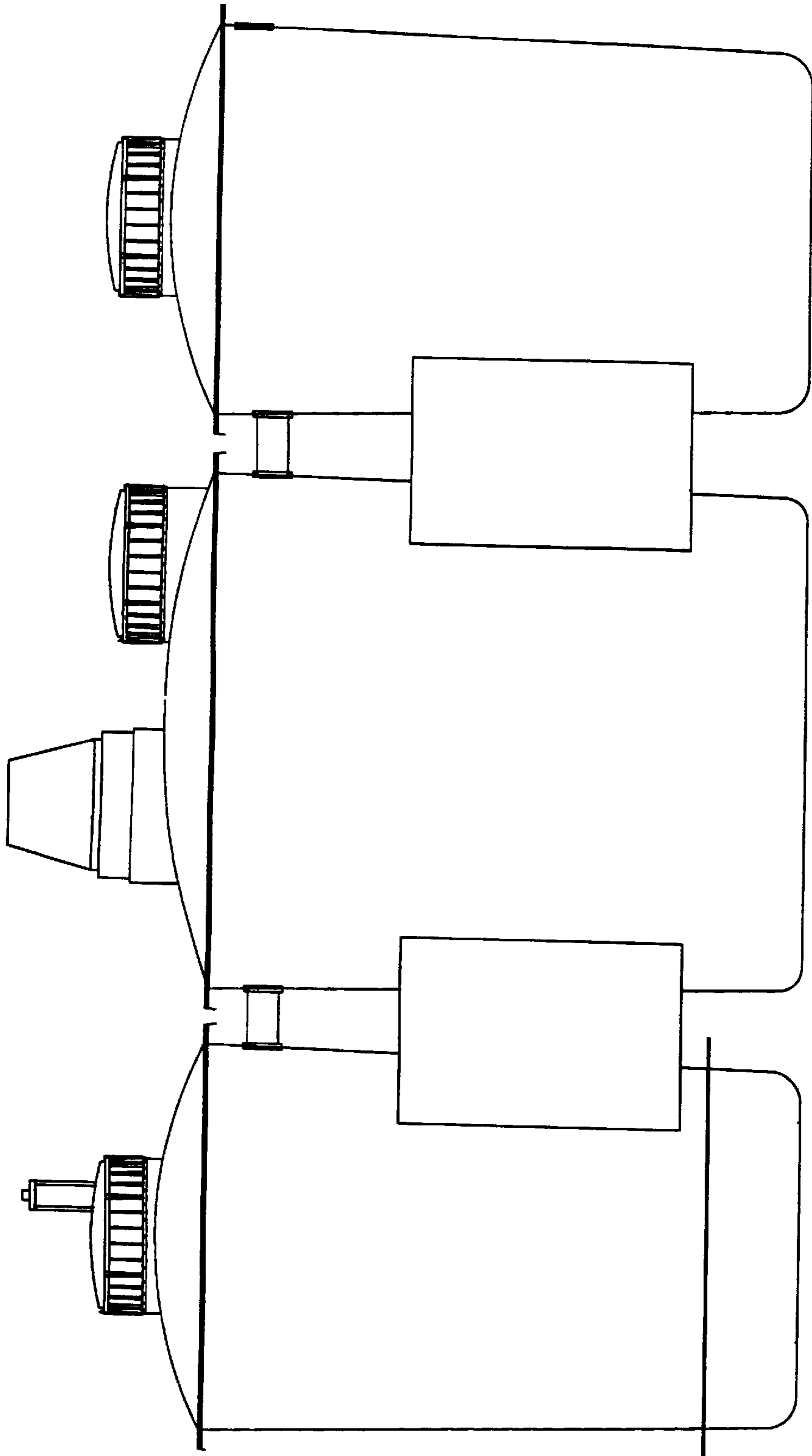


Fig. 6

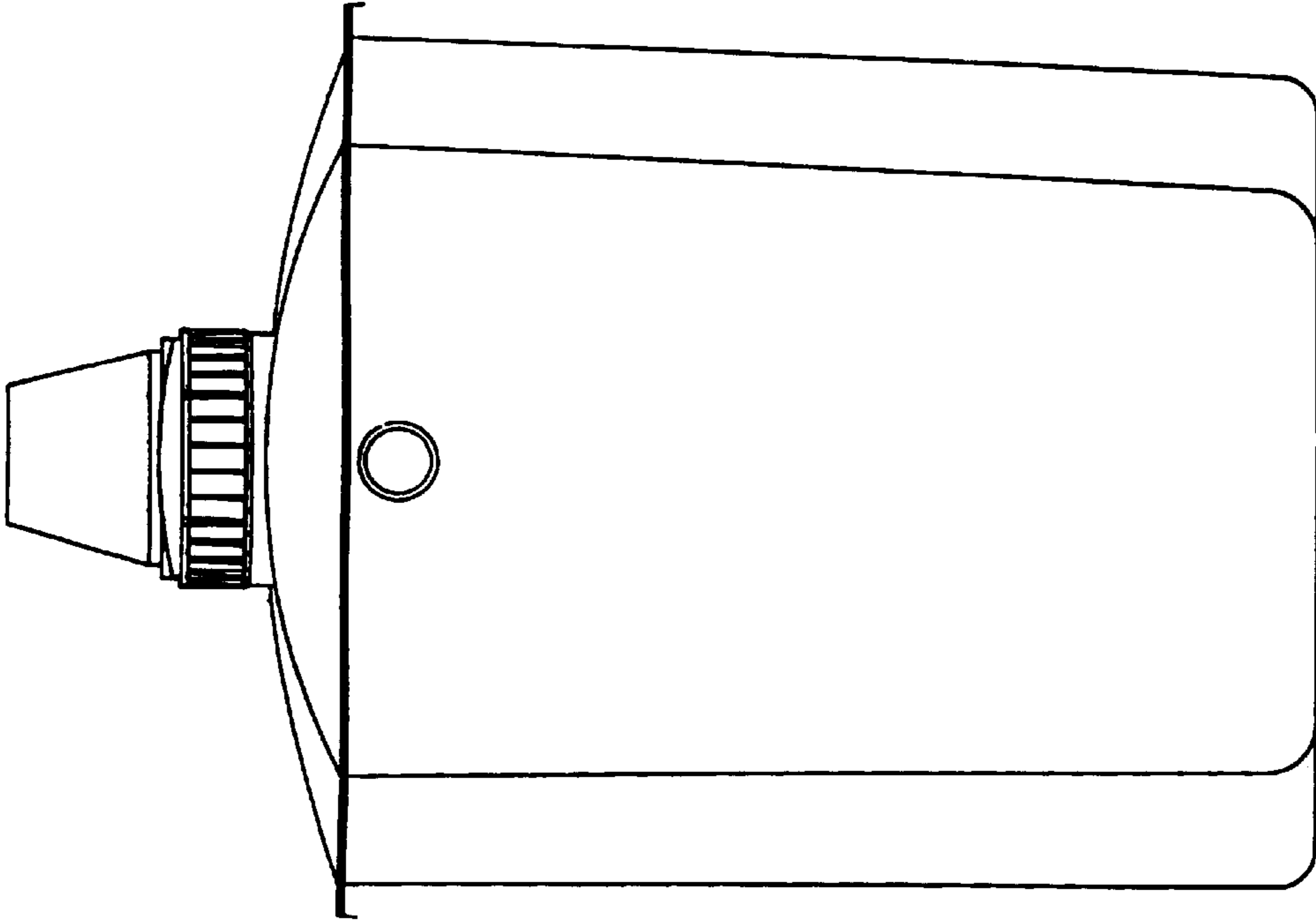


Fig. 7

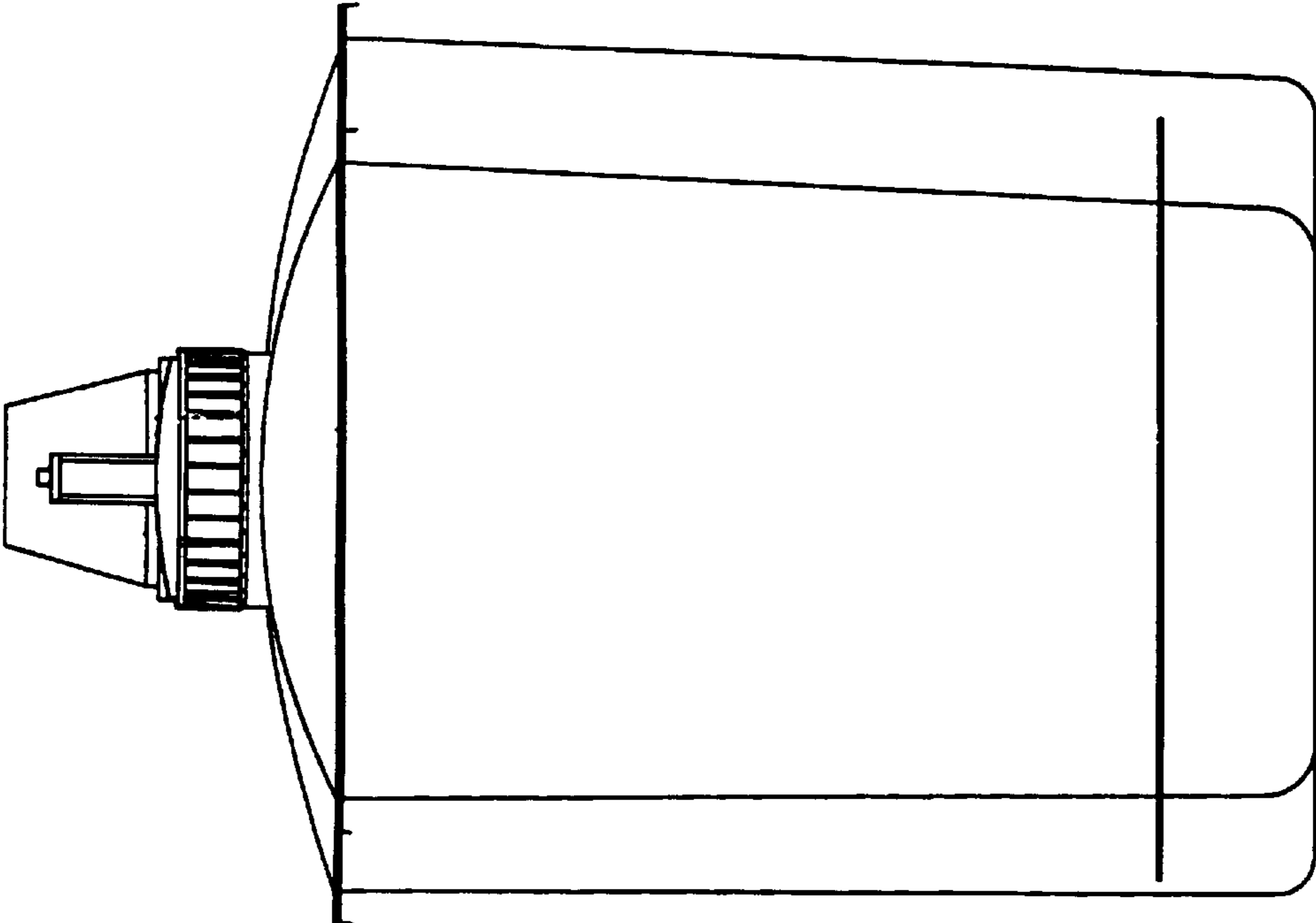


Fig. 8