



US00D510753S

(12) **United States Design Patent**
Paterson

(10) **Patent No.:** **US D510,753 S**

(45) **Date of Patent:** **** Oct. 18, 2005**

(54) **BUILDING SET ELEMENT**

D410,044 S * 5/1999 Krog D21/503
D410,708 S * 6/1999 Toft D21/503

(75) **Inventor:** **Fraser Paterson, Slough (GB)**

(73) **Assignee:** **Interlego AG, Baar (CH)**

(**) **Term:** **14 Years**

(21) **Appl. No.:** **29/210,326**

(22) **Filed:** **Jul. 29, 2004**

(30) **Foreign Application Priority Data**

Jan. 29, 2004 (EM) 000128681

(51) **LOC (8) Cl.** **21-01**

(52) **U.S. Cl.** **D21/503; D21/484**

(58) **Field of Search** D21/484-506,
D21/528, 561; 446/85, 88, 93-128, 479

(56) **References Cited**

U.S. PATENT DOCUMENTS

2,609,638 A * 9/1952 Lindenmeyer 446/124
3,648,404 A * 3/1972 Ogsbury et al. 446/102
4,690,656 A * 9/1987 Friedman et al. 446/95
5,322,466 A * 6/1994 Bolli et al. 446/121
D360,000 S * 7/1995 Hatting et al. D21/502
D394,681 S * 5/1998 Pagel D21/495

OTHER PUBLICATIONS

Lego catalog, p. 25, 1997.*

* cited by examiner

Primary Examiner—Raphael Barkai

(74) *Attorney, Agent, or Firm*—Pitney Hardin LLP

(57) **CLAIM**

The ornamental design for a building set element, as shown and described.

DESCRIPTION

FIG. 1 is a top perspective view of the building set element design;

FIG. 2 is a bottom perspective view thereof;

FIG. 3 is a side elevational view thereof, the opposite side being identical;

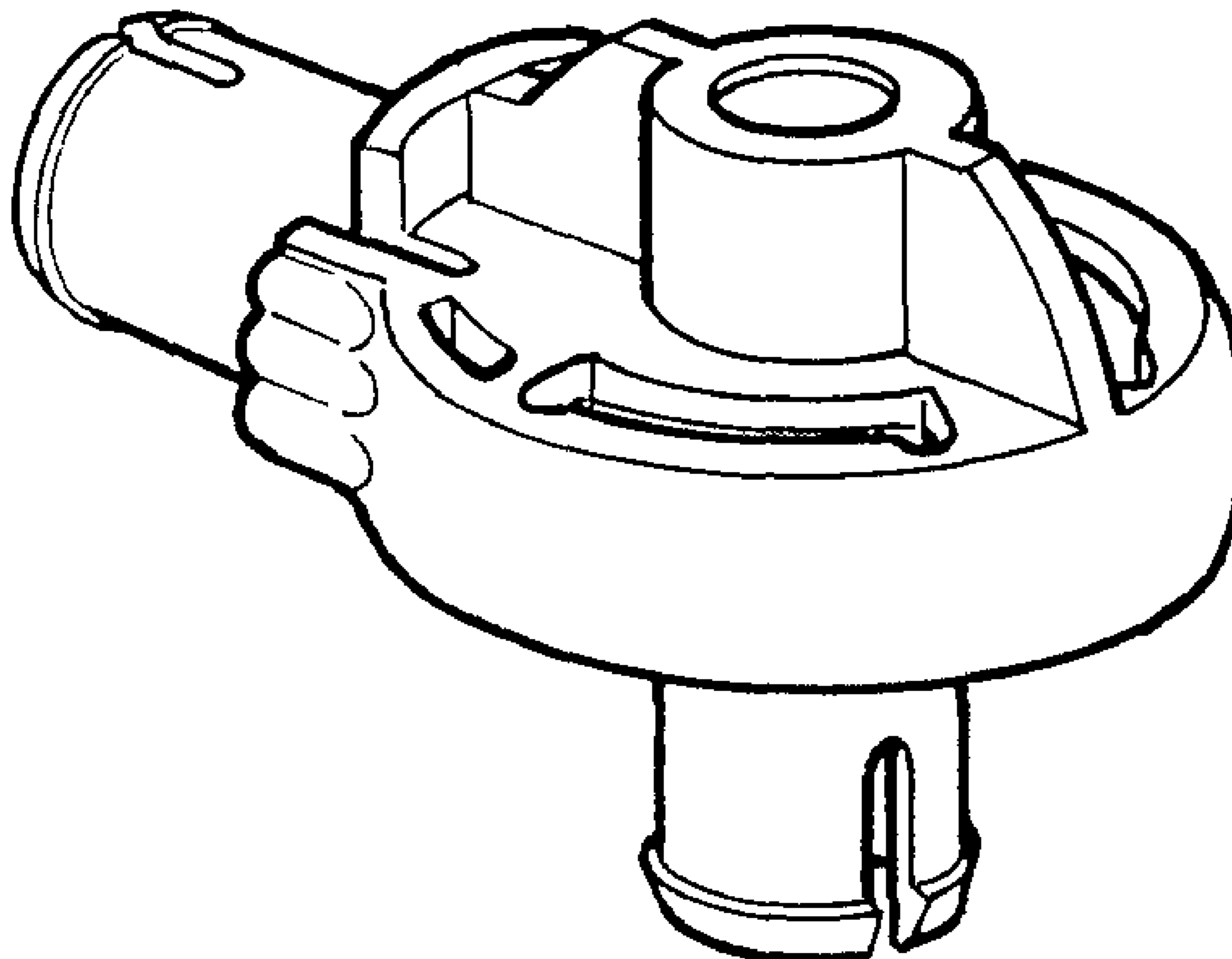
FIG. 4 is a front elevational view thereof;

FIG. 5 is a rear elevational view thereof;

FIG. 6 is a top plan view thereof; and,

FIG. 7 is a bottom elevational view thereof.

1 Claim, 1 Drawing Sheet



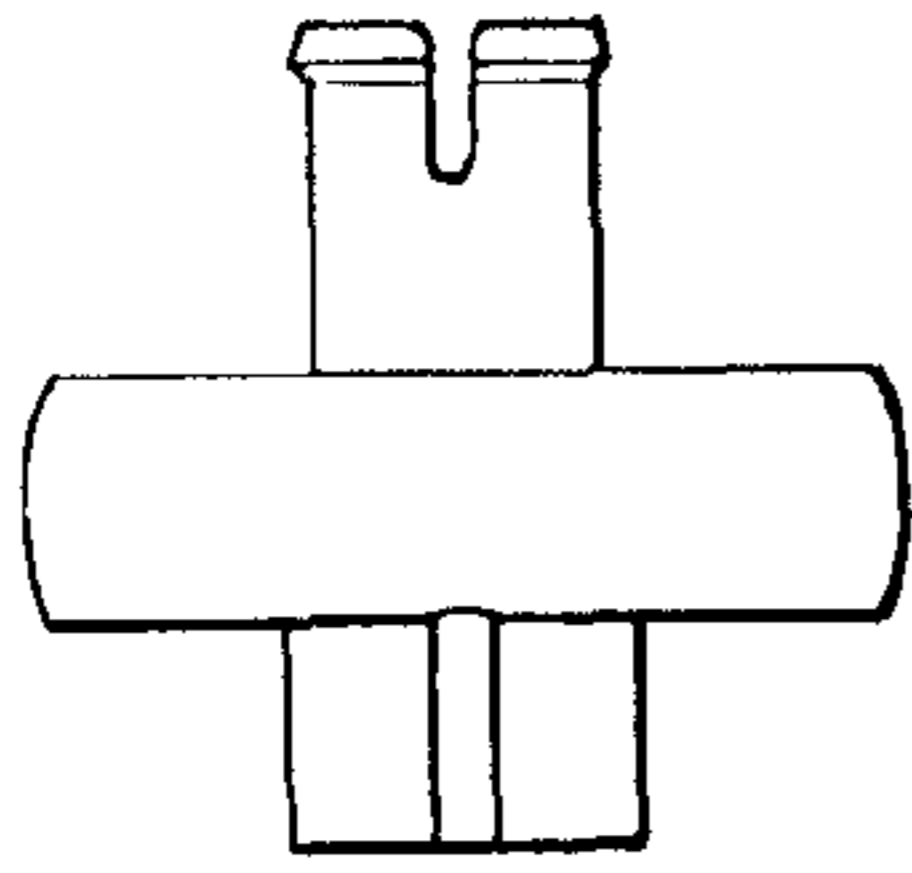


FIG. 5

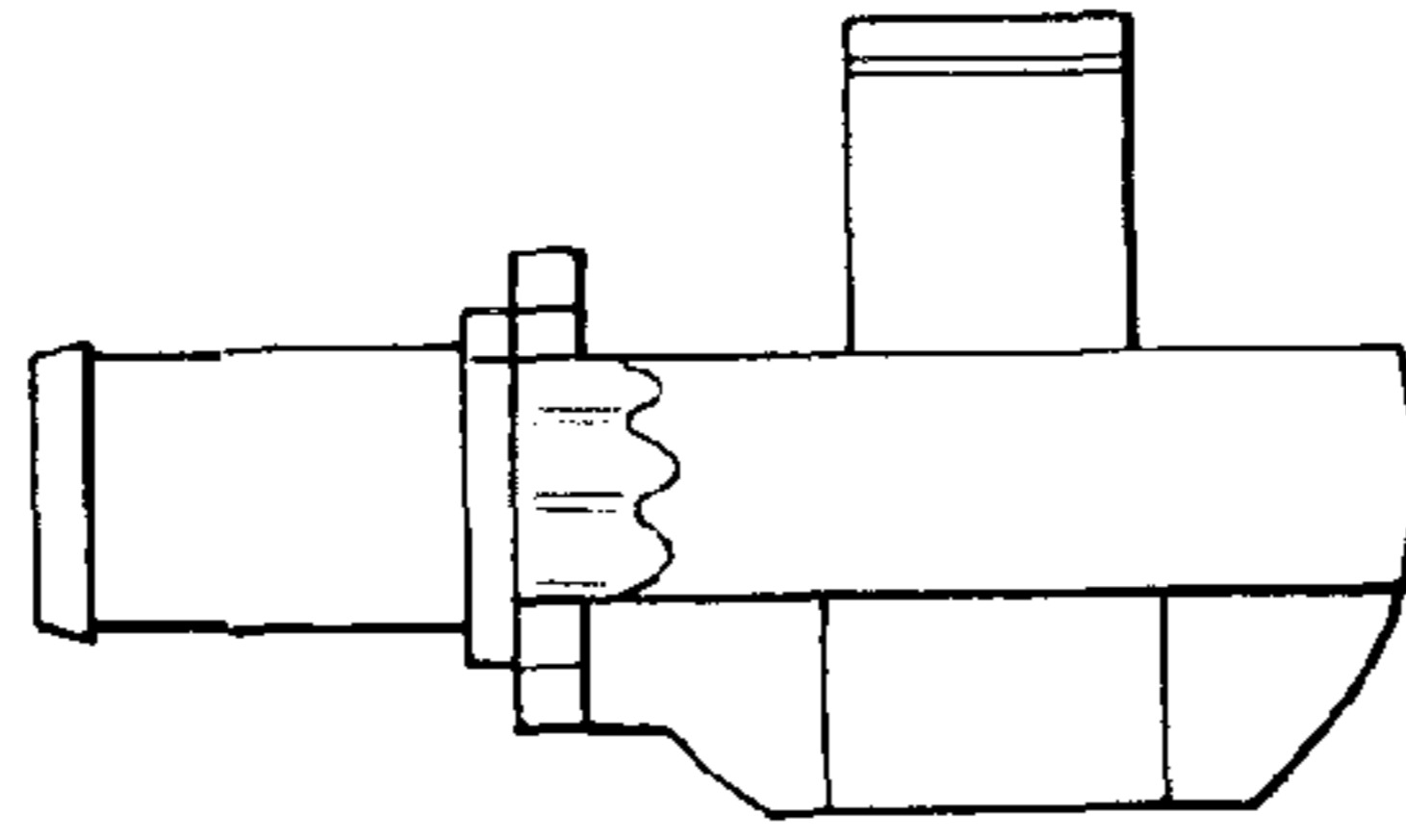


FIG. 3

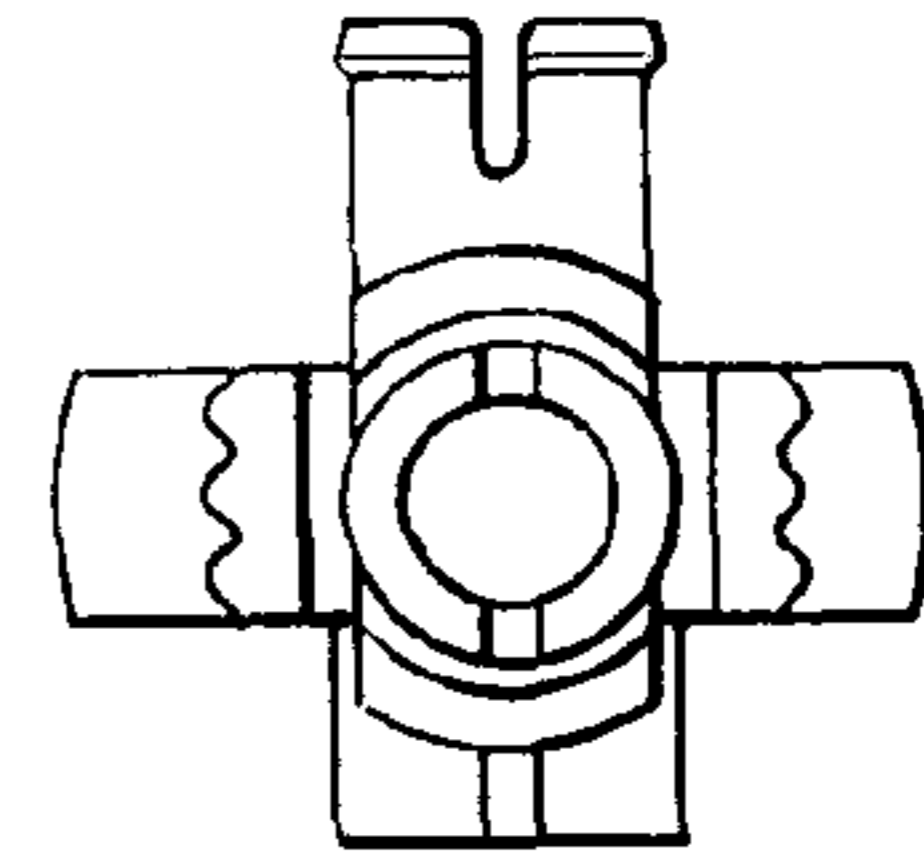


FIG. 4

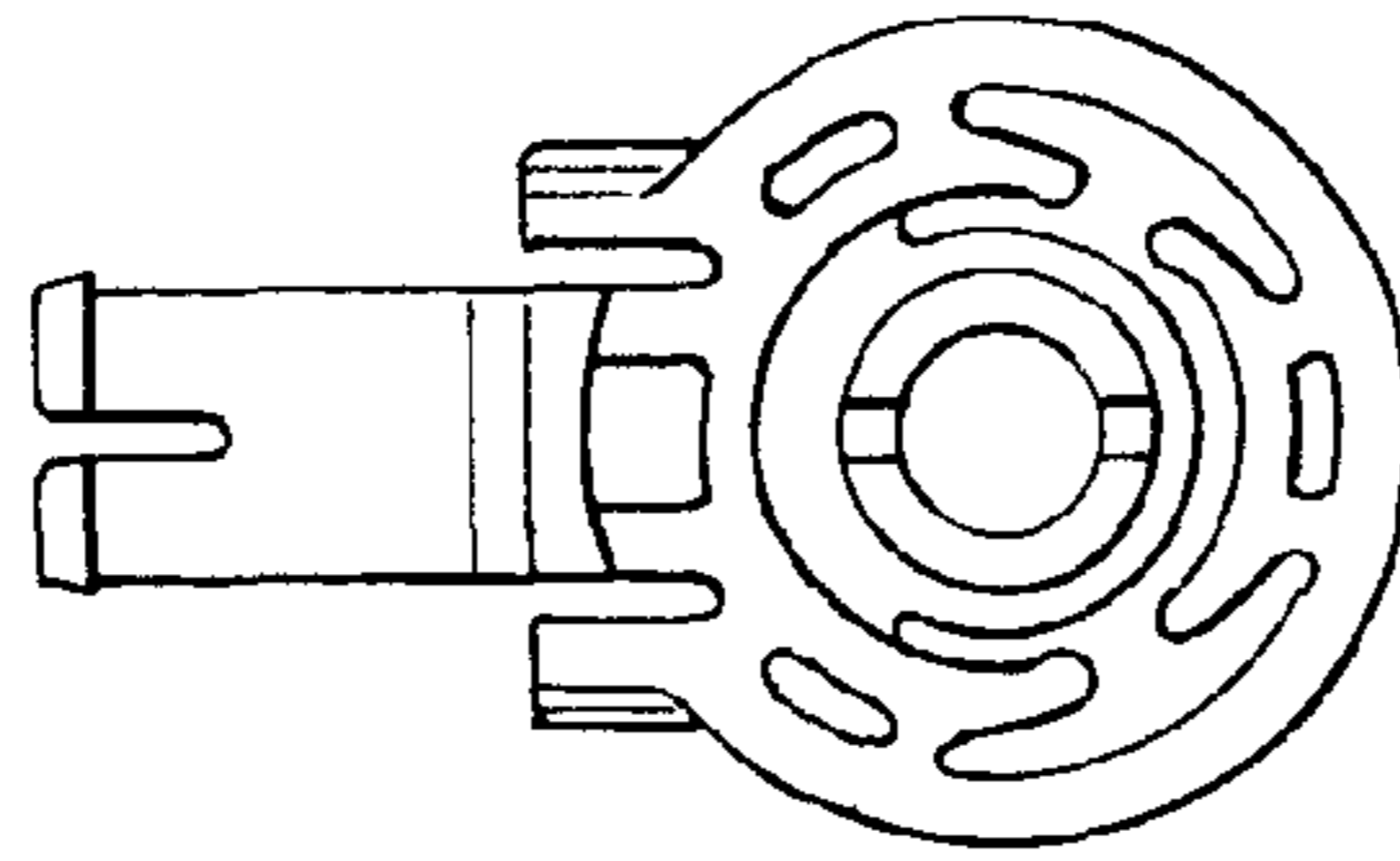


FIG. 7

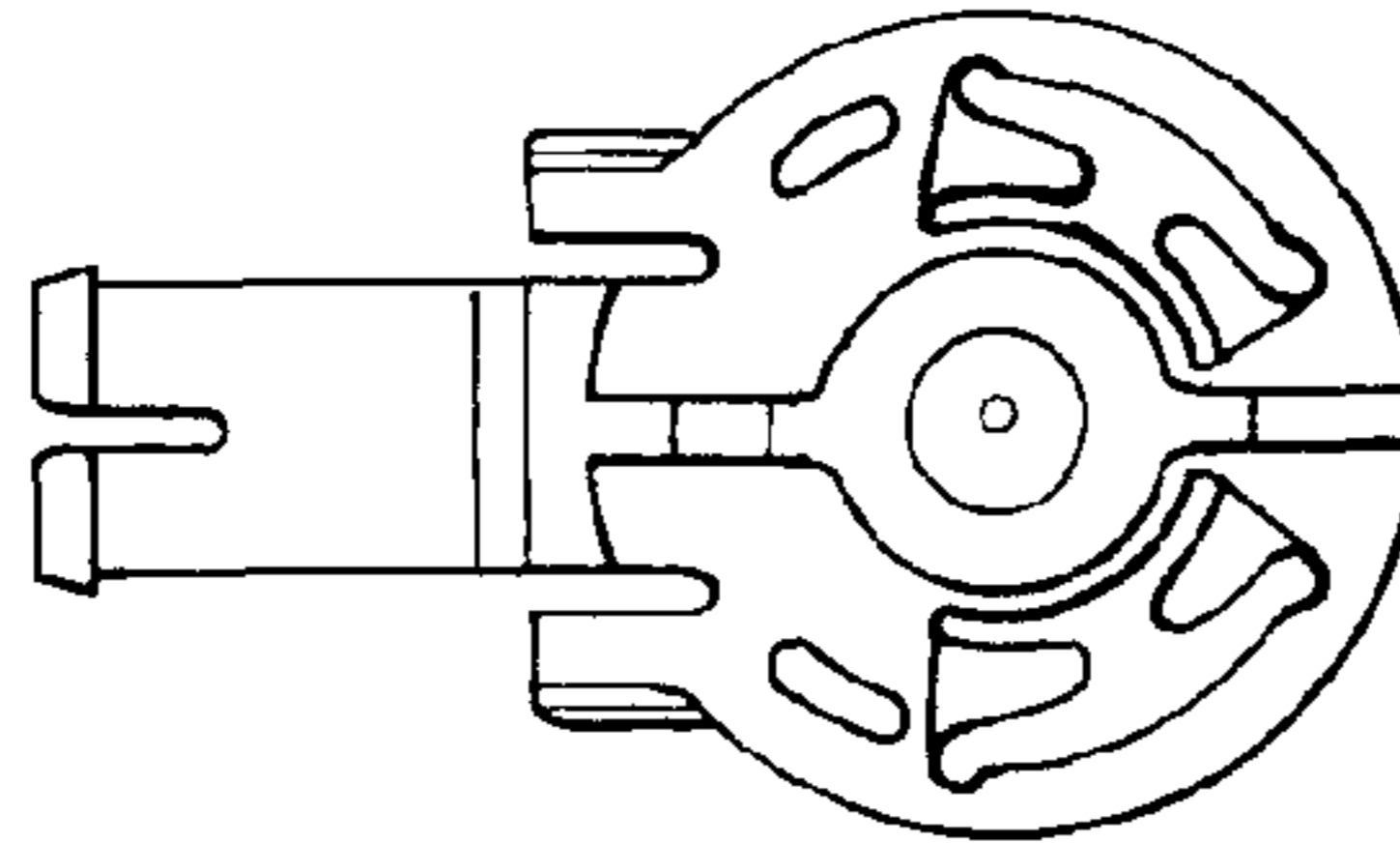


FIG. 6

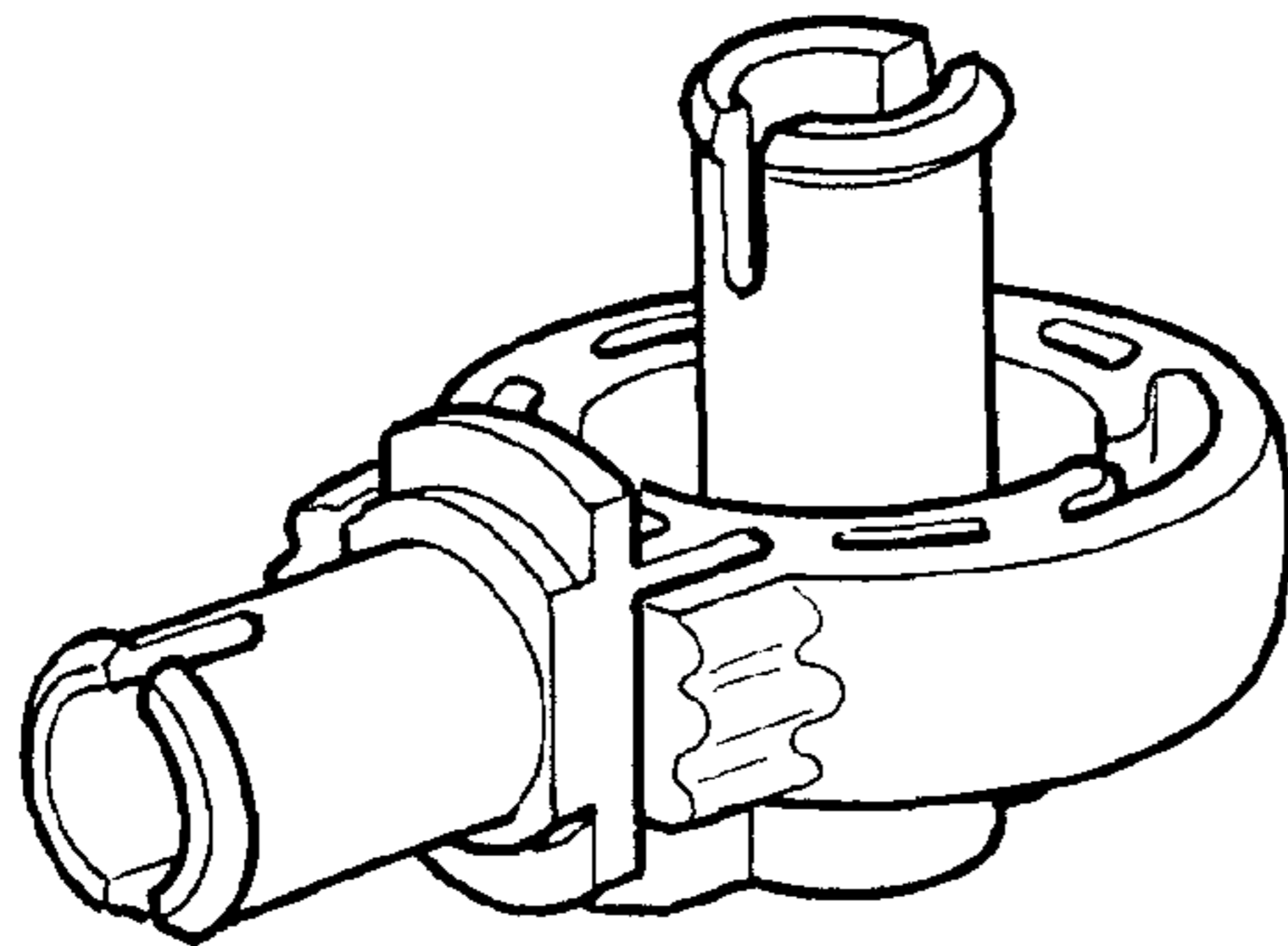


FIG. 2

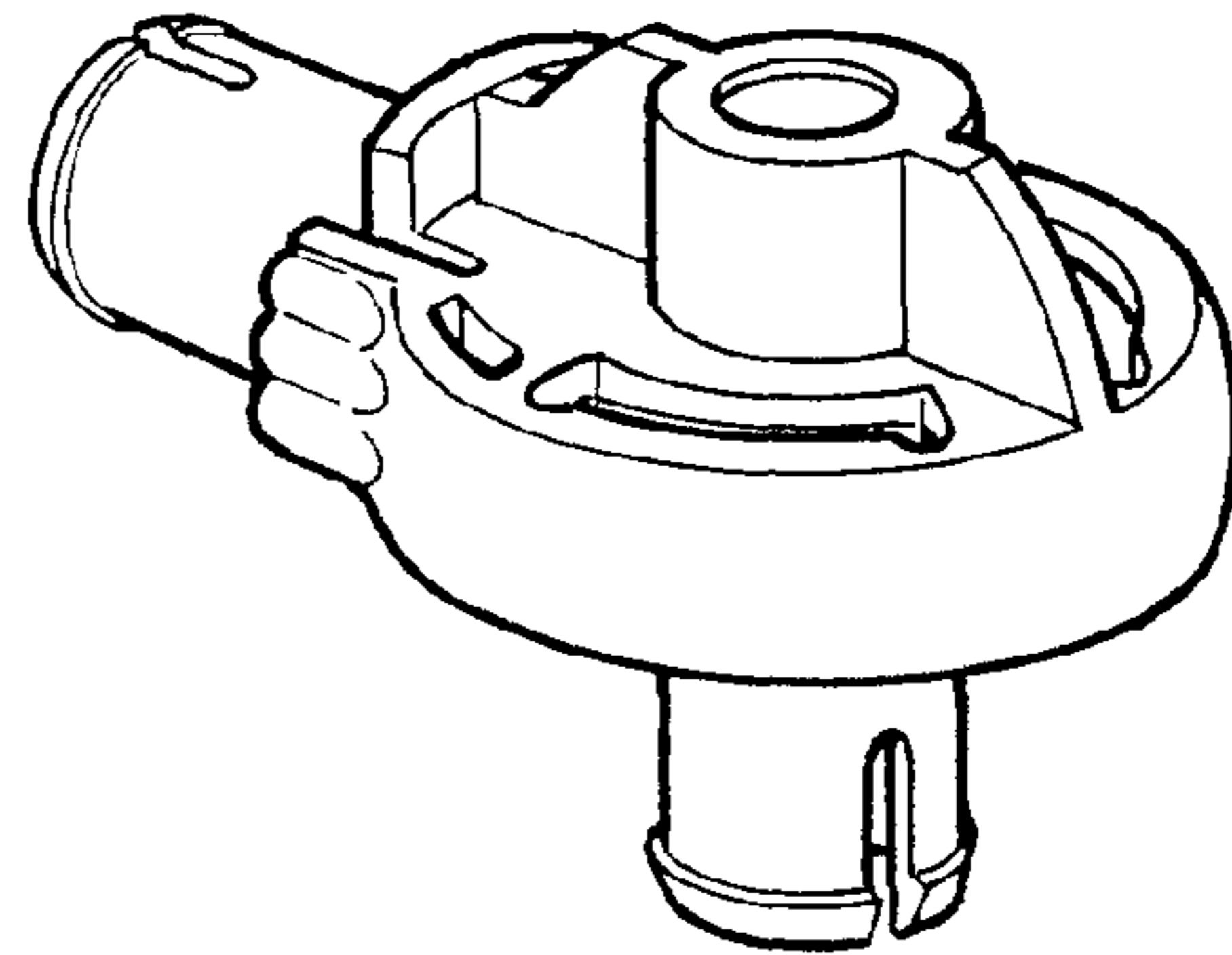


FIG. 1