



US00D510742S

(12) **United States Design Patent**
Stover

(10) **Patent No.:** **US D510,742 S**

(45) **Date of Patent:** **** Oct. 18, 2005**

(54) **RUBBER TRACK APPARATUS**

(75) **Inventor:** **Jimmy R. Stover**, Corpus Christi, TX (US)

(73) **Assignee:** **Stover Equipment Co., Inc.**, Corpus Christi, TX (US)

(**) **Term:** **14 Years**

(21) **Appl. No.:** **29/200,356**

(22) **Filed:** **Feb. 26, 2004**

(51) **LOC (8) Cl.** **15-03**

(52) **U.S. Cl.** **D15/28**

(58) **Field of Search** D15/22-26, 28;
180/9.1, 193; 305/127, 168, 181, 166, 179,
162

(56) **References Cited**

U.S. PATENT DOCUMENTS

3,738,714 A	*	6/1973	Ness	305/127
3,754,798 A	*	8/1973	Chaumont	305/166
3,756,668 A	*	9/1973	Russ, Sr.	305/179
D230,300 S	*	2/1974	Oestmann	D15/28
4,332,424 A	*	6/1982	Thompson	305/180

D298,018 S	*	10/1988	Cartwright	D12/3
D302,017 S	*	7/1989	Grawey et al.	D15/28
D309,314 S	*	7/1990	Grawey et al.	D15/28
5,265,949 A	*	11/1993	Haug	305/181
5,354,124 A	*	10/1994	James	305/162
D473,245 S		4/2003	Heitmann		

* cited by examiner

Primary Examiner—Mitchell Siegel

(74) *Attorney, Agent, or Firm*—G. Turner Moller

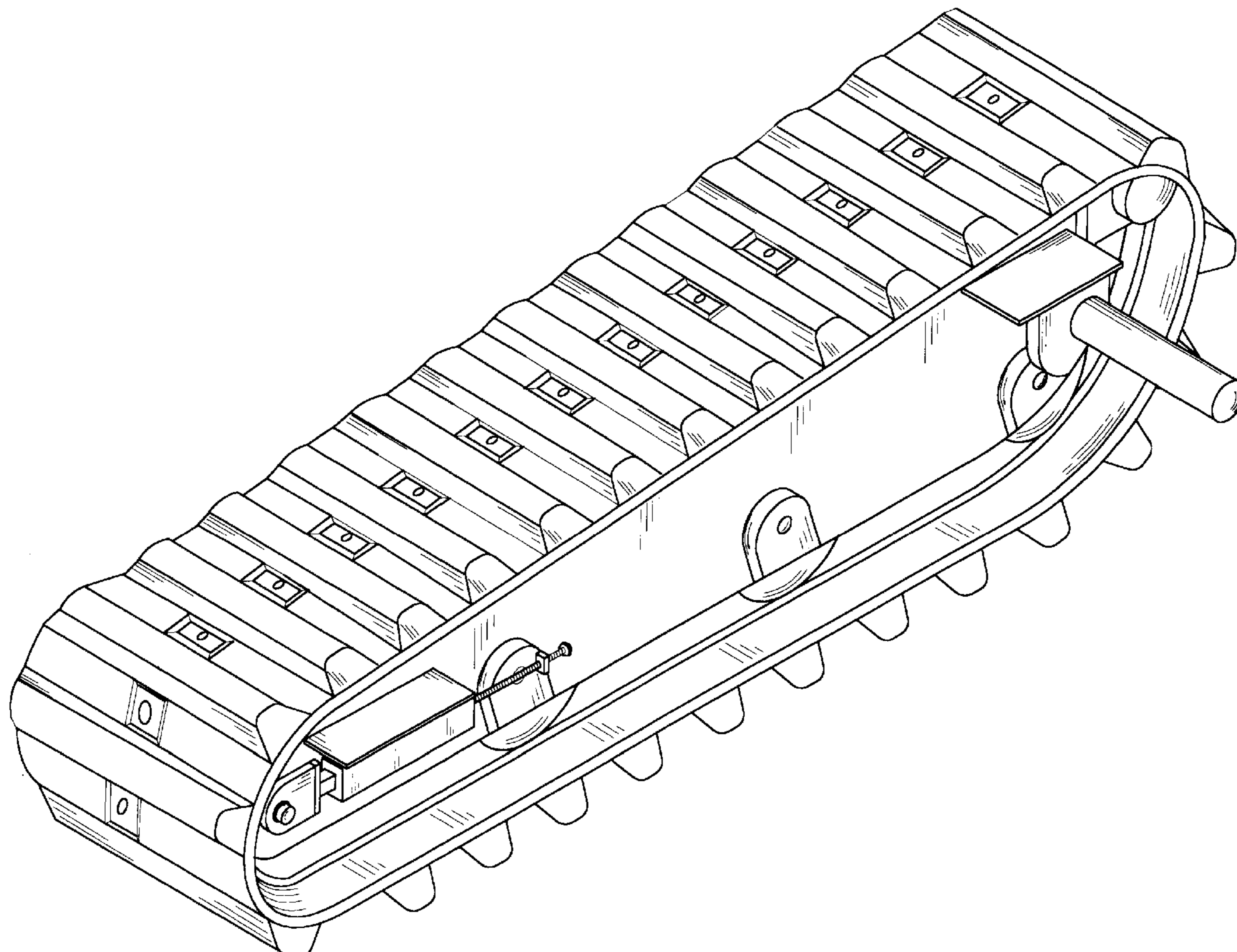
(57) **CLAIM**

The ornamental design for a rubber track apparatus, as shown and described.

DESCRIPTION

FIG. 1 is a top plan view thereof;
FIG. 2 is a left side elevational view thereof;
FIG. 3 is a plan bottom view thereof;
FIG. 4 is a right side elevational view thereof;
FIG. 5 is a front elevational view thereof;
FIG. 6 is a rear elevational view thereof; and,
FIG. 7 is a perspective view of a rubber track apparatus showing my new design.

1 Claim, 3 Drawing Sheets



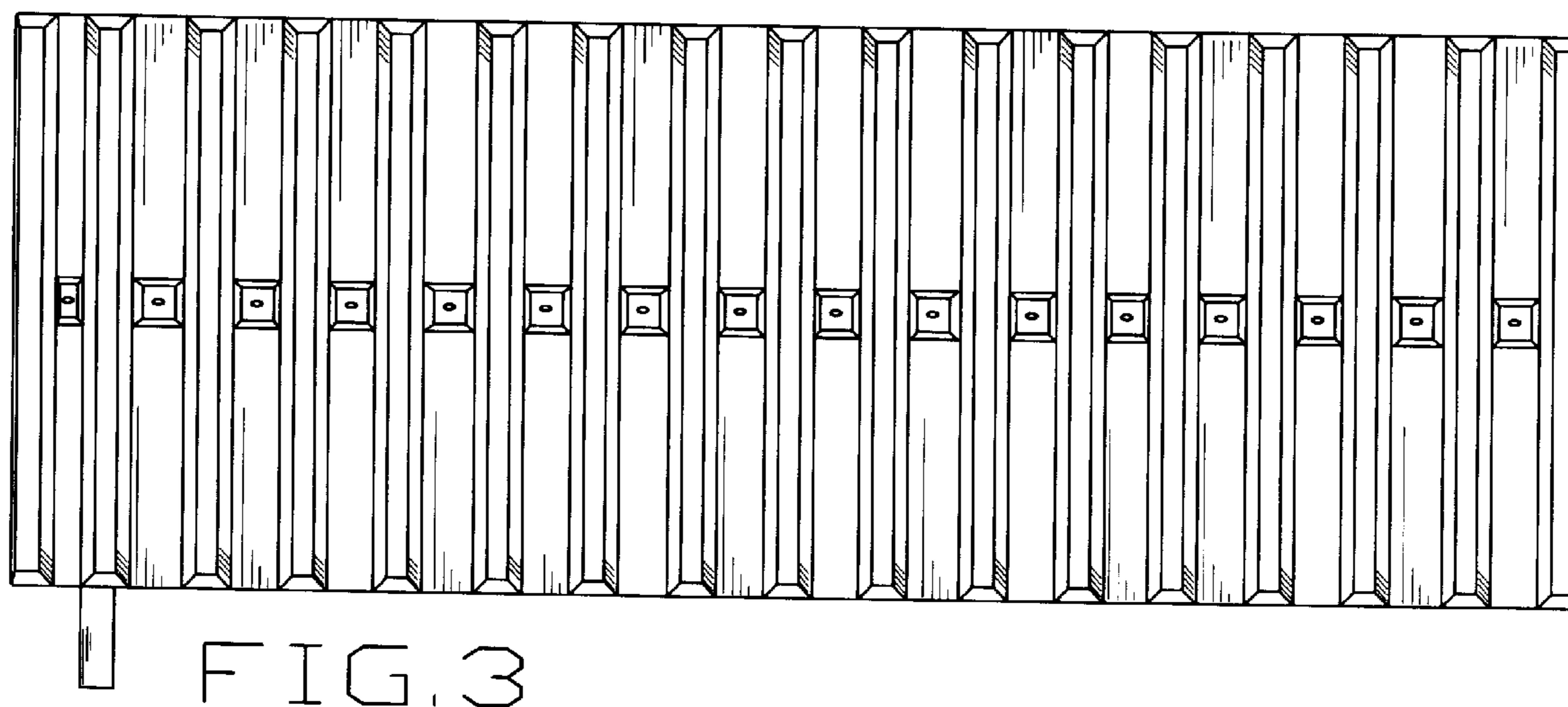
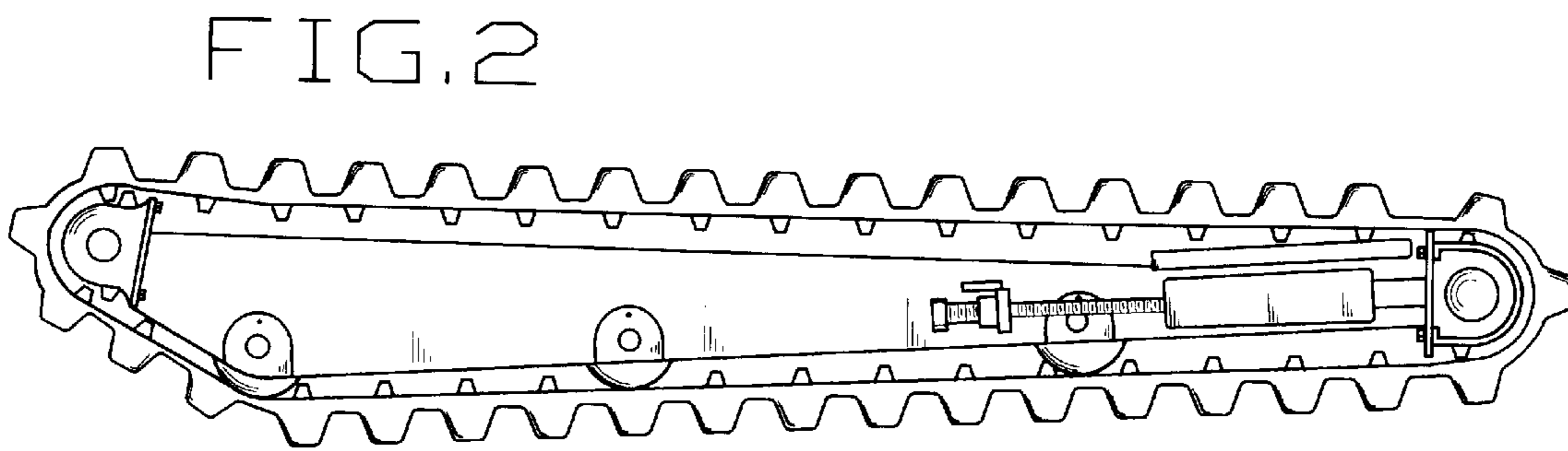
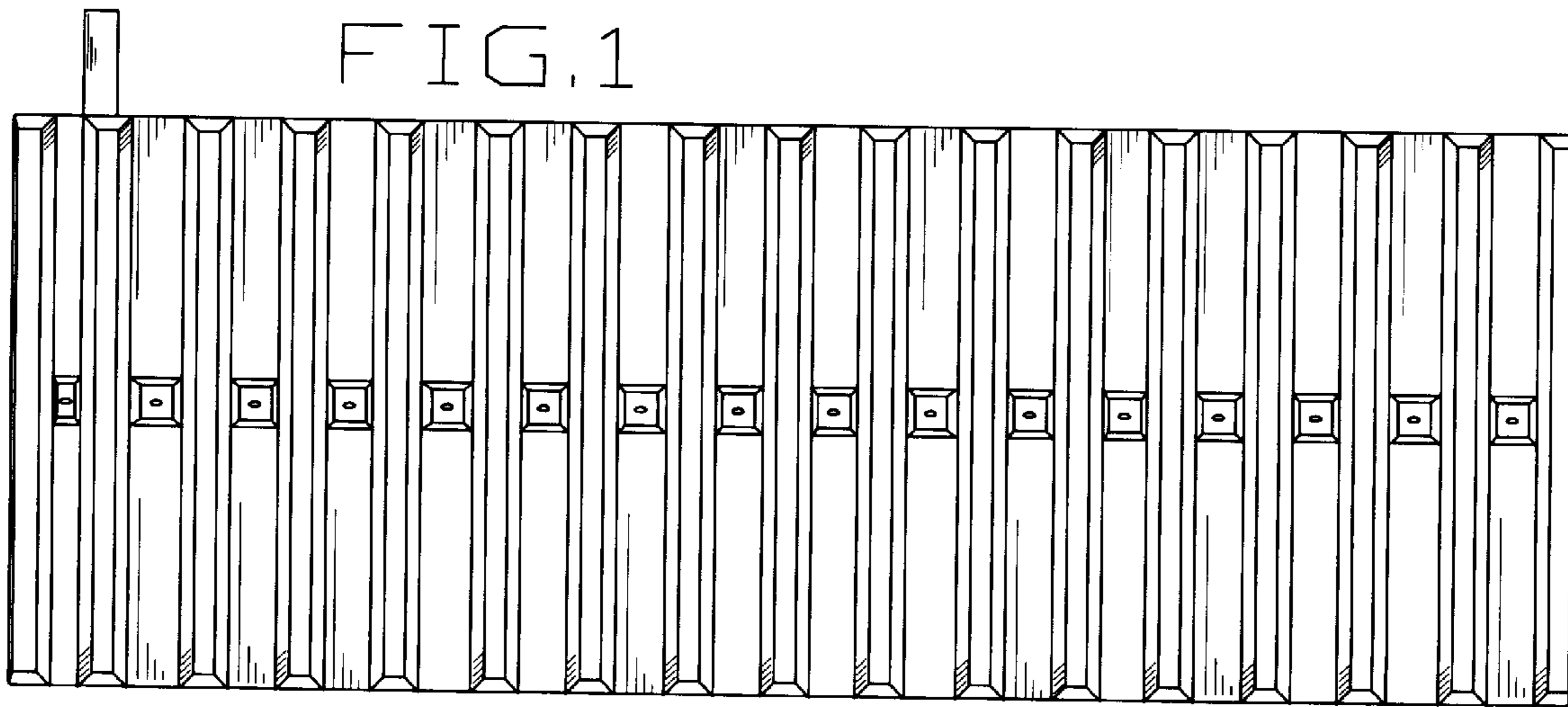


FIG. 4

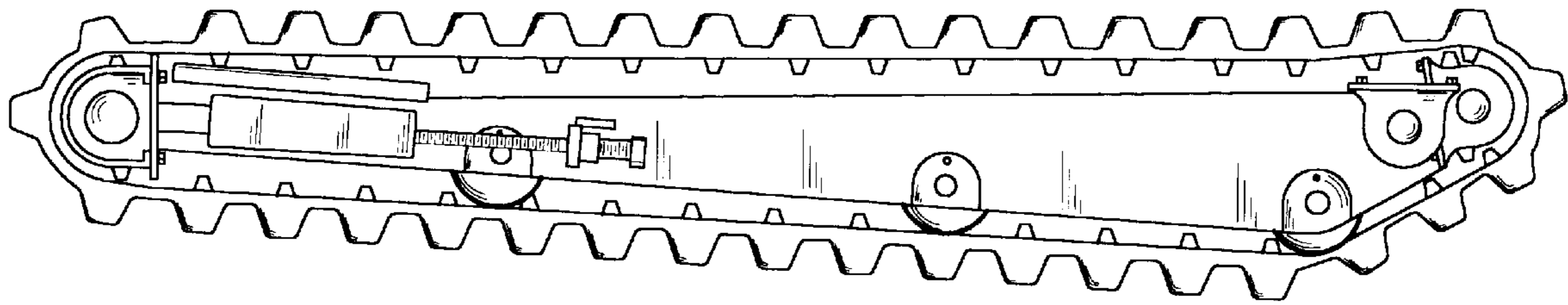


FIG. 5

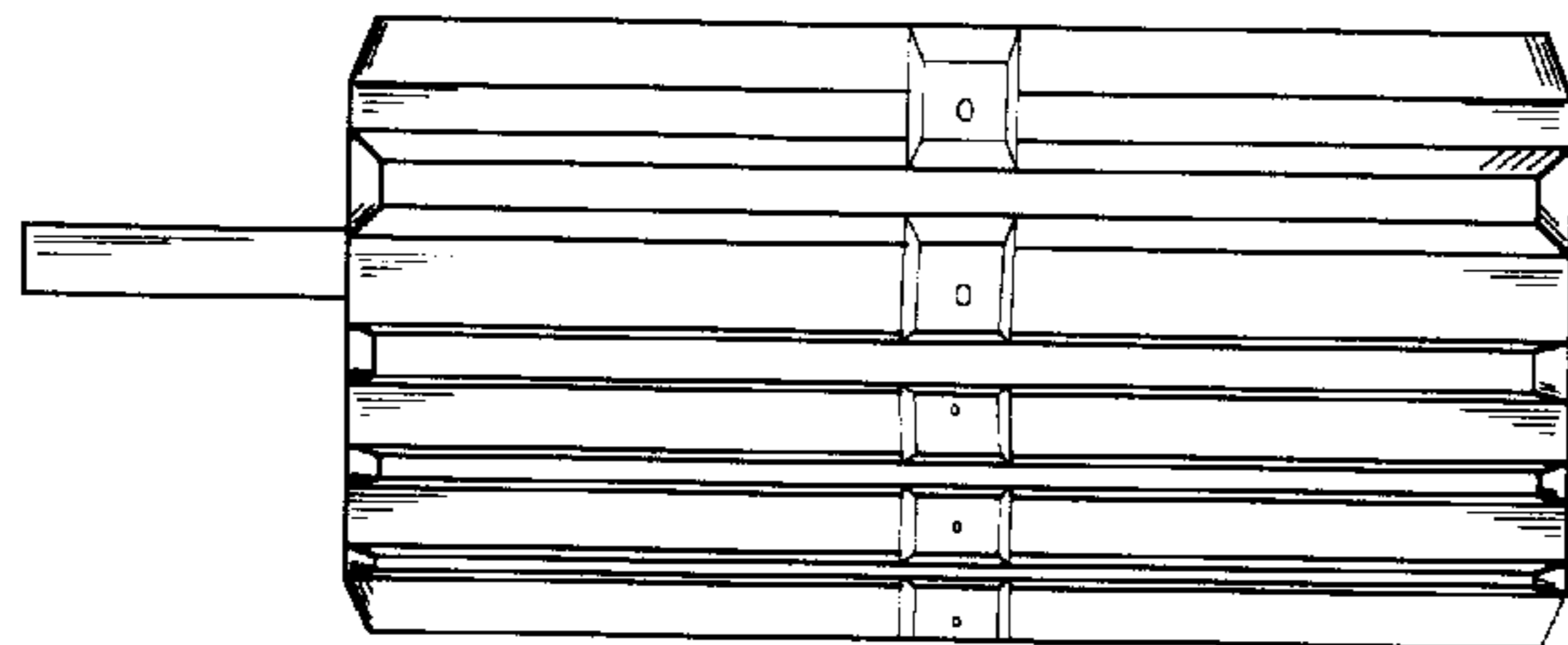
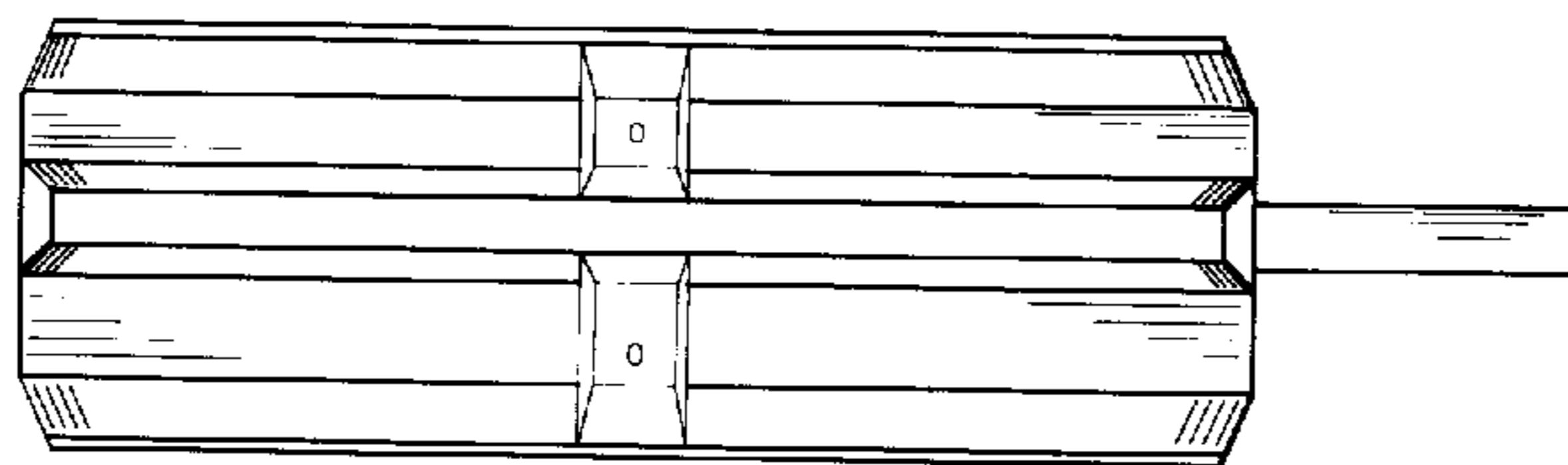


FIG. 6



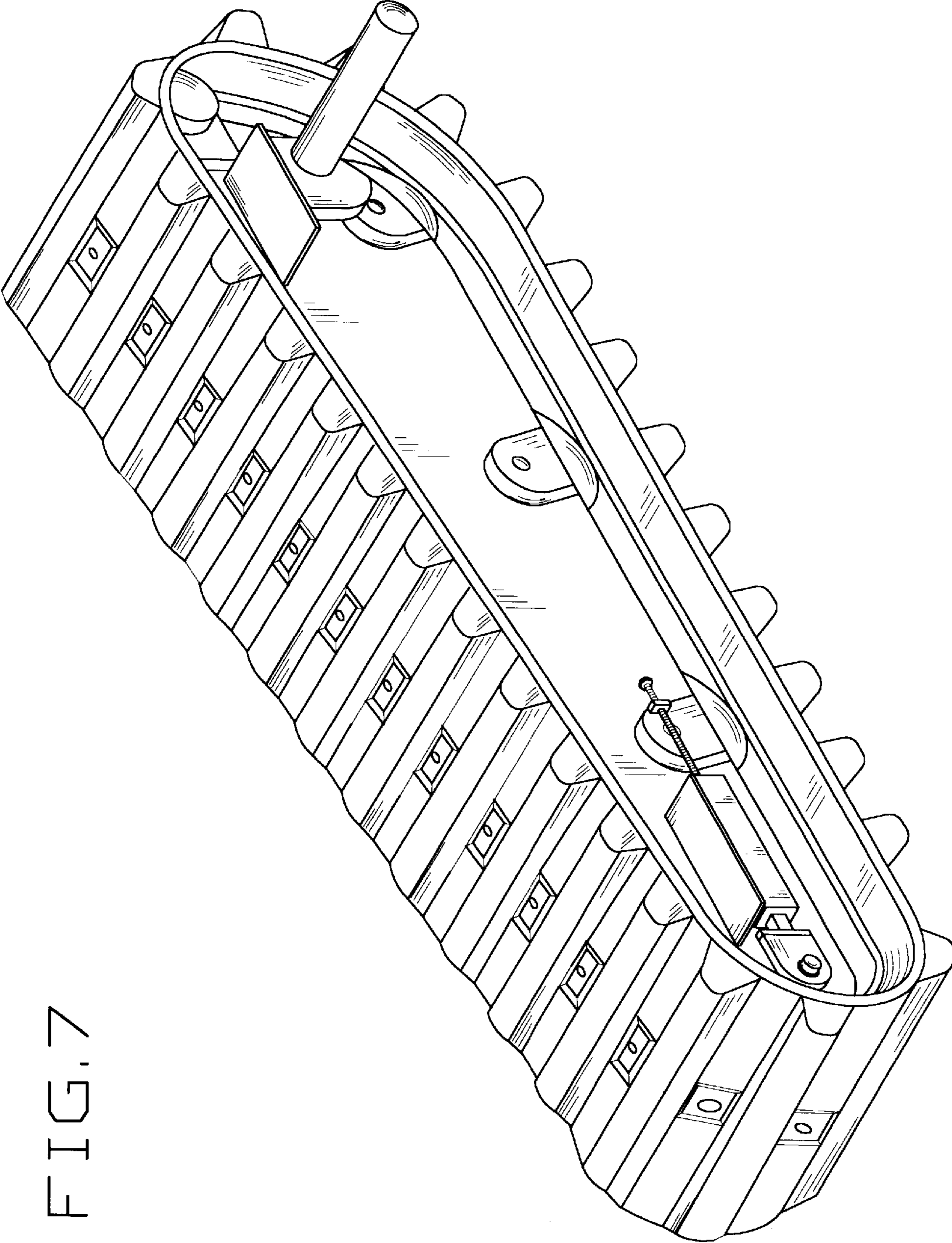


FIG. 7