



US00D510740S

(12) **United States Design Patent**  
**Ishigami**

(10) **Patent No.:** **US D510,740 S**  
(45) **Date of Patent:** **\*\* Oct. 18, 2005**

(54) **FACSIMILE MACHINE**  
(75) **Inventor:** **Michifumi Ishigami, Nagoya (JP)**  
(73) **Assignee:** **Brother Industries, Ltd., Nagoya (JP)**  
(\*\*) **Term:** **14 Years**

D386,490 S \* 11/1997 Fujimoto ..... D14/468  
D458,270 S \* 6/2002 Andersen et al. .... D14/471  
D466,127 S \* 11/2002 Ishigami ..... D14/471  
D493,469 S \* 7/2004 Hattori et al. .... D14/468

\* cited by examiner

(21) **Appl. No.:** **29/210,567**  
(22) **Filed:** **Aug. 4, 2004**  
(30) **Foreign Application Priority Data**

Mar. 30, 2004 (JP) ..... 2004-009798

(51) **LOC (8) Cl.** ..... **16-02**  
(52) **U.S. Cl.** ..... **D14/471**  
(58) **Field of Search** ..... D14/466-471,  
D14/462; 358/400, 401, 501-506; D18/36,  
37

*Primary Examiner*—Prabhakar Deshmukh  
(74) *Attorney, Agent, or Firm*—Oliff & Berridge, PLC

(57) **CLAIM**

The ornamental design for a facsimile machine, as shown and described.

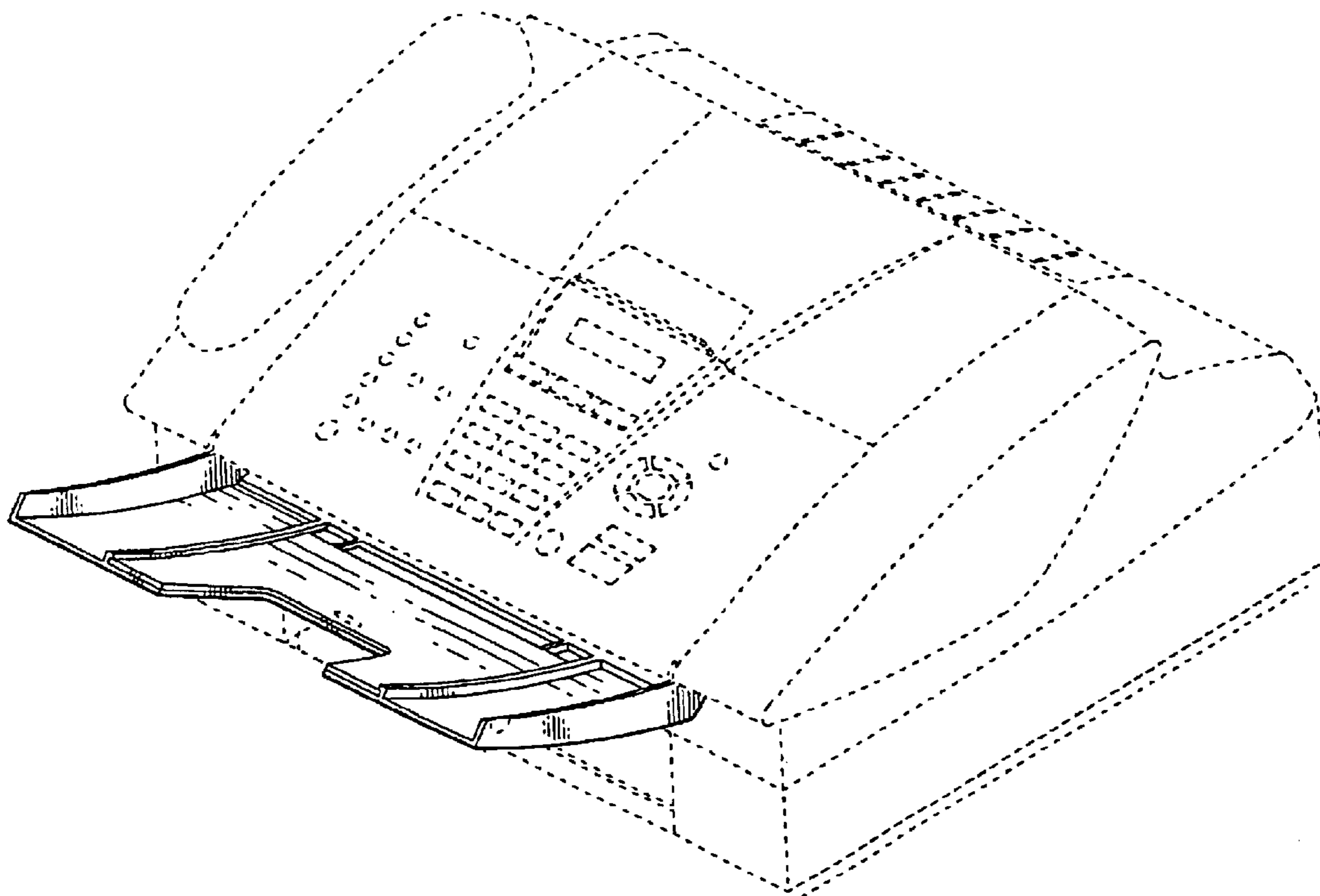
**DESCRIPTION**

FIG. 1 is a perspective view of a facsimile machine;  
FIG. 2 is a right-side view thereof;  
FIG. 3 is a top view thereof;  
FIG. 4 is a front view thereof;  
FIG. 5 is a left-side view thereof;  
FIG. 6 is a bottom view thereof;  
FIG. 7 is a perspective view thereof, with a paper discharge tray in a closed position;  
FIG. 8 is a front view thereof, with a paper discharge tray in a closed position; and,  
FIG. 9 is a top view thereof with a portion of the paper discharge tray in an extended position.  
The broken lines are for illustrative purposes only and forms no part of the claimed design.

(56) **References Cited**  
**U.S. PATENT DOCUMENTS**

4,872,061 A \* 10/1989 Uchiyama ..... 358/400  
4,914,281 A \* 4/1990 Benton et al. .... 235/492  
D315,151 S \* 3/1991 Tamano et al. .... D14/468  
D323,159 S \* 1/1992 Iwasaki et al. .... D14/468  
5,172,243 A \* 12/1992 Hayashi et al. .... 358/400  
5,183,431 A \* 2/1993 Todokoro ..... 446/142  
D340,240 S \* 10/1993 Dow et al. .... D14/471  
D355,179 S \* 2/1995 Sawada et al. .... D14/468  
D365,343 S \* 12/1995 Omino ..... D14/468

**1 Claim, 6 Drawing Sheets**



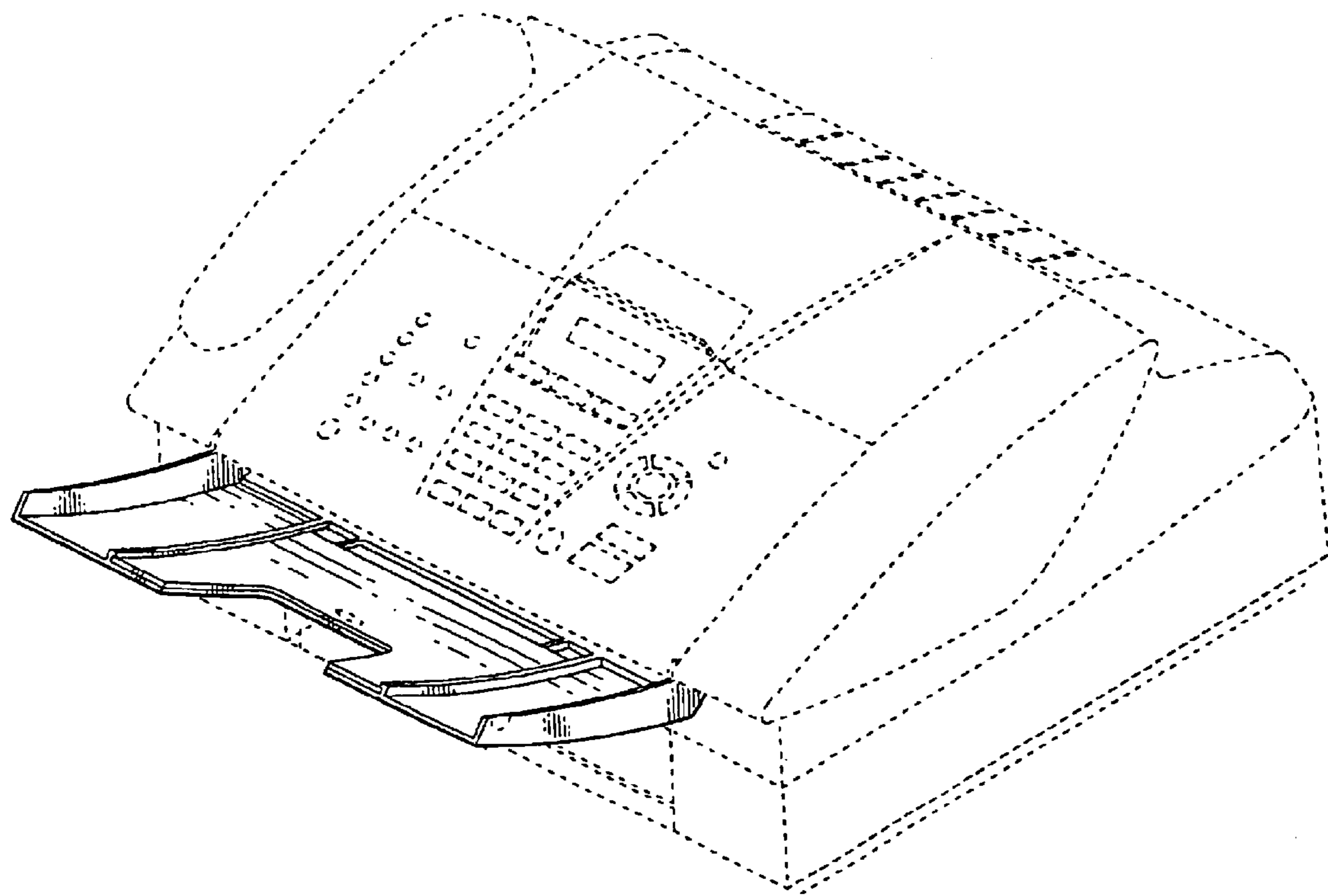


Fig. 1

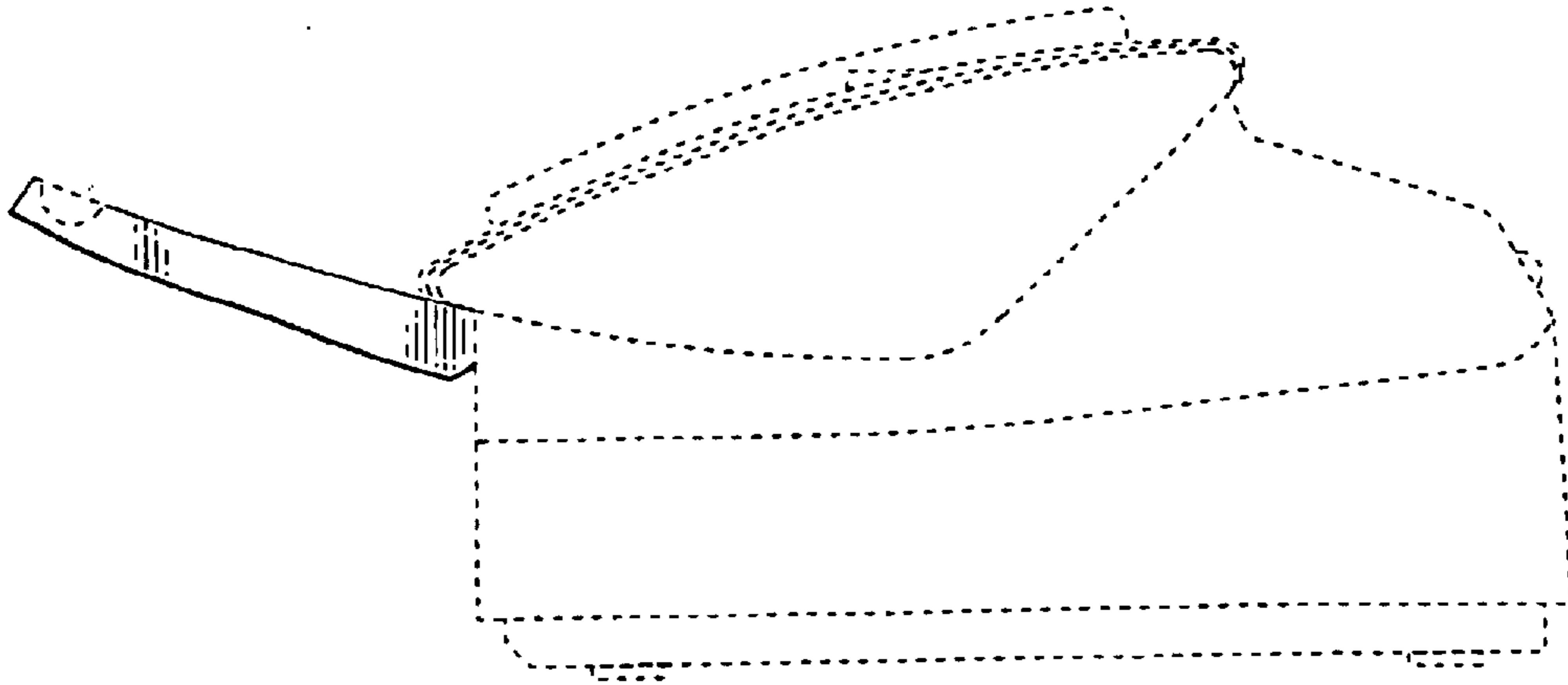


Fig. 2

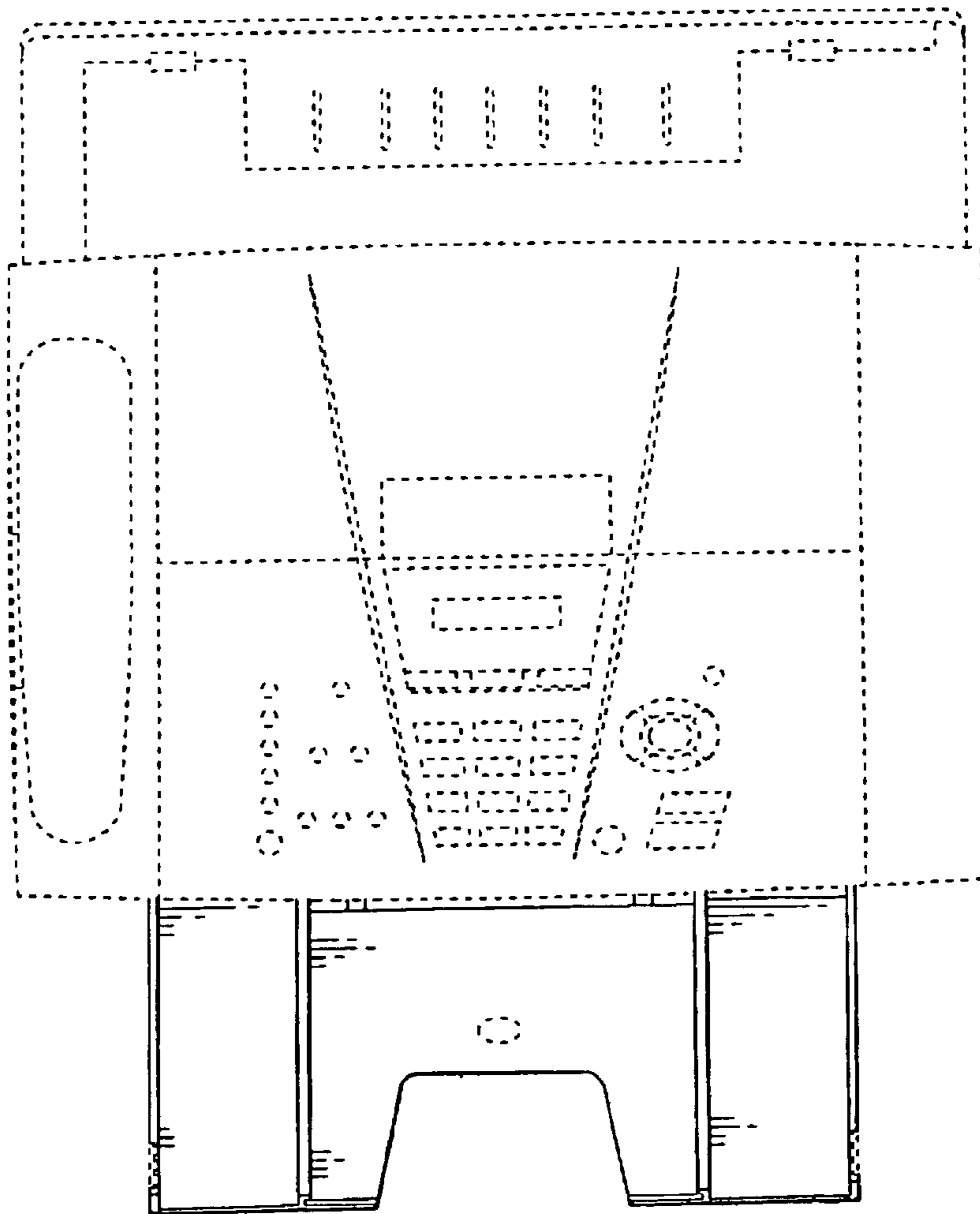


Fig. 3

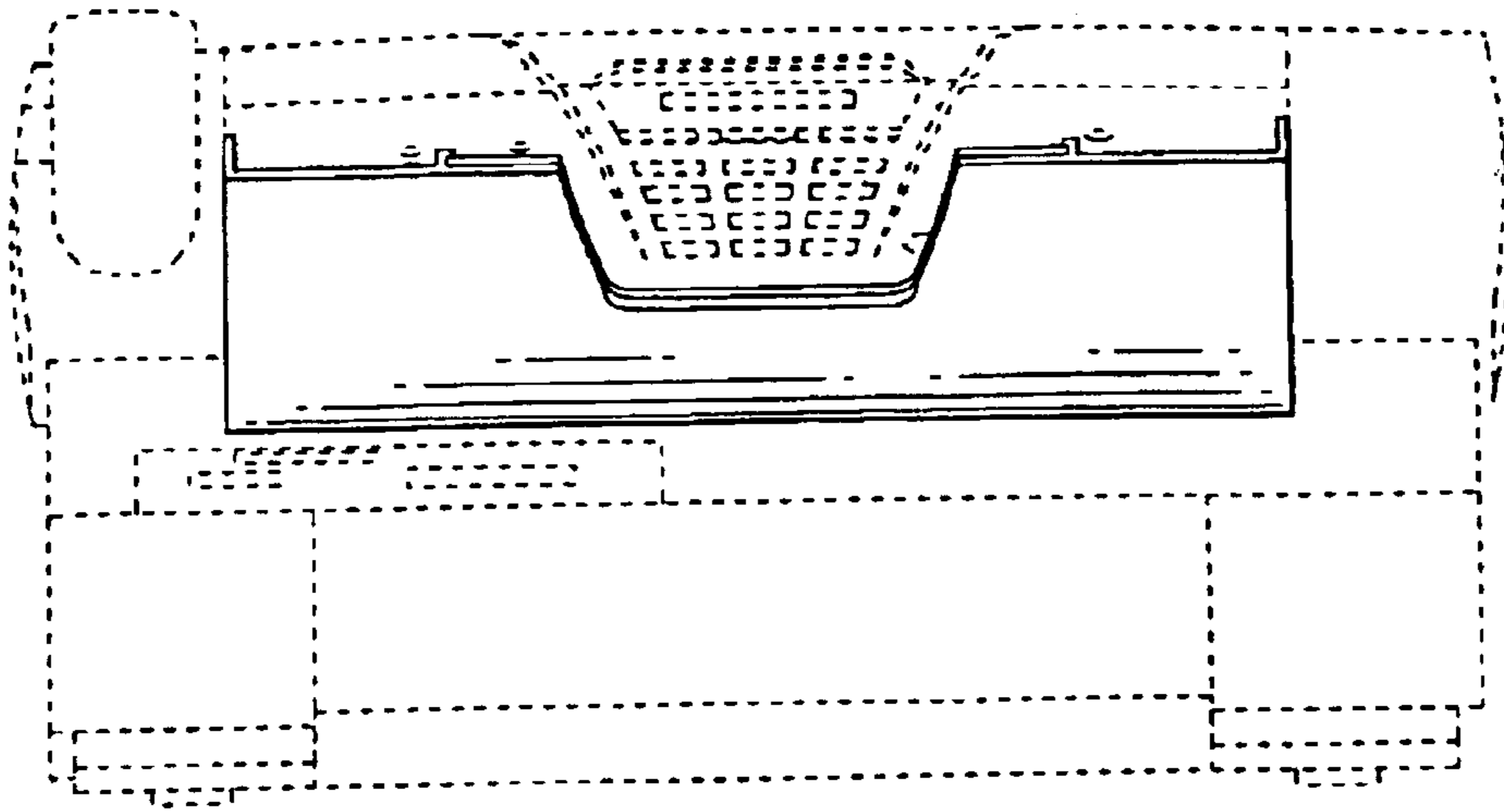


Fig. 4

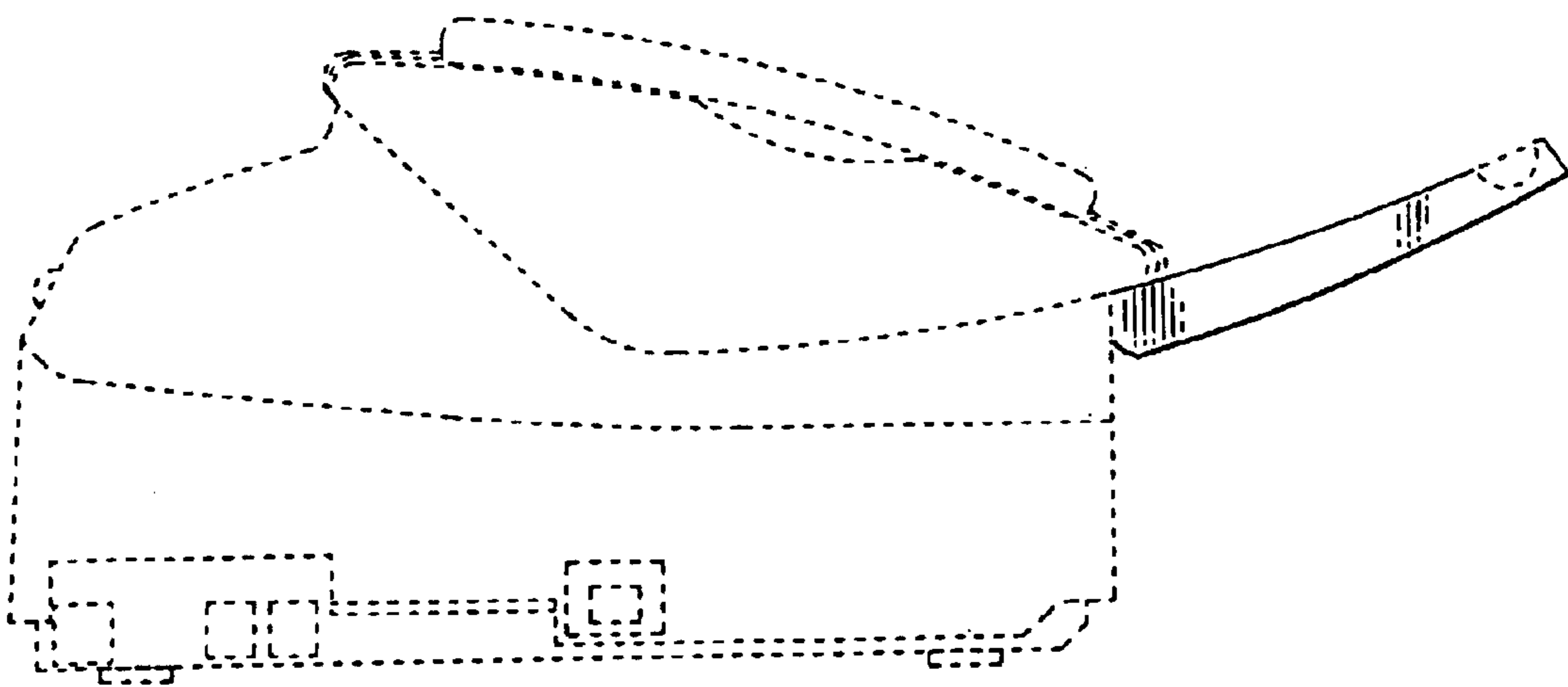


Fig. 5

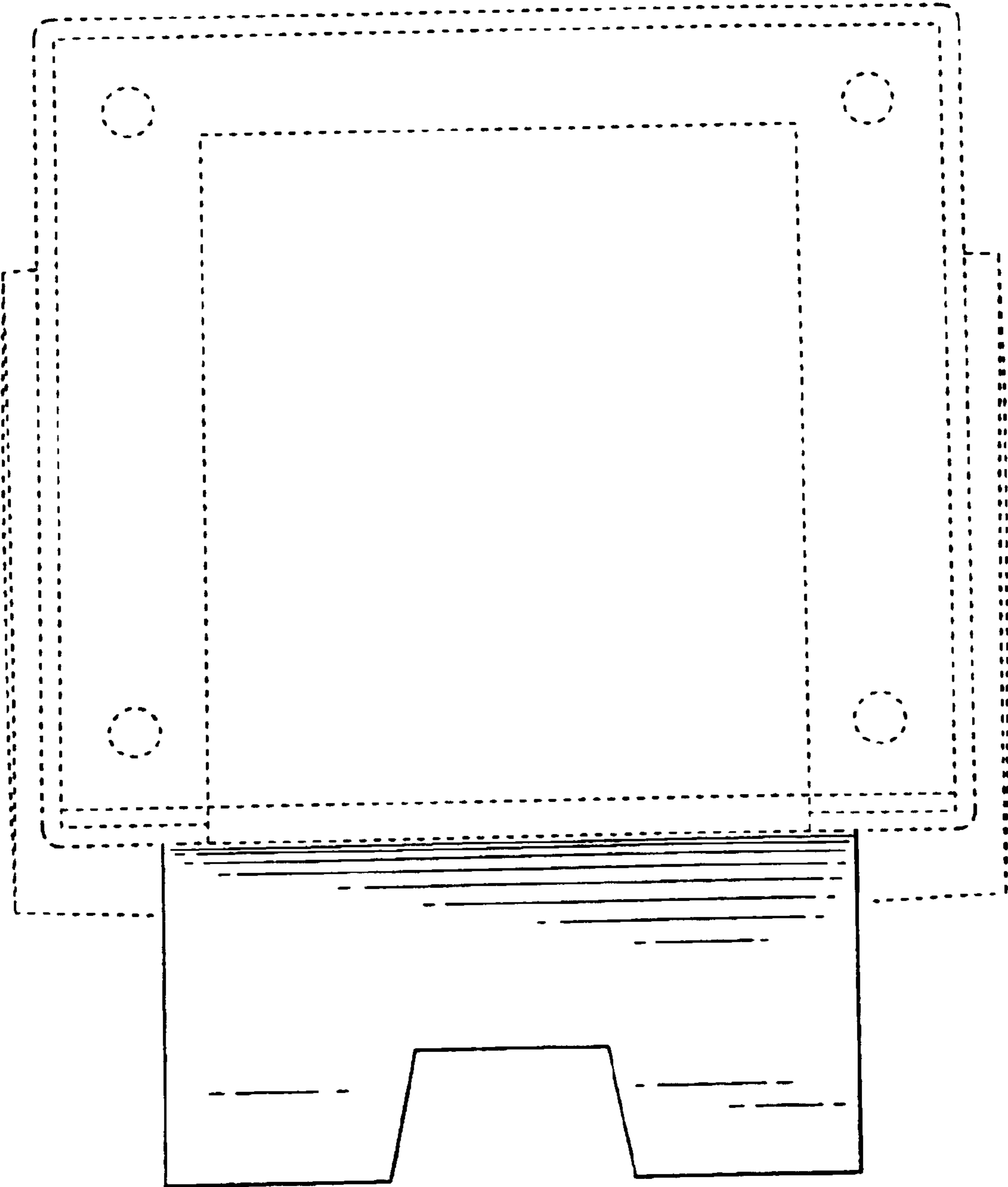


Fig. 6

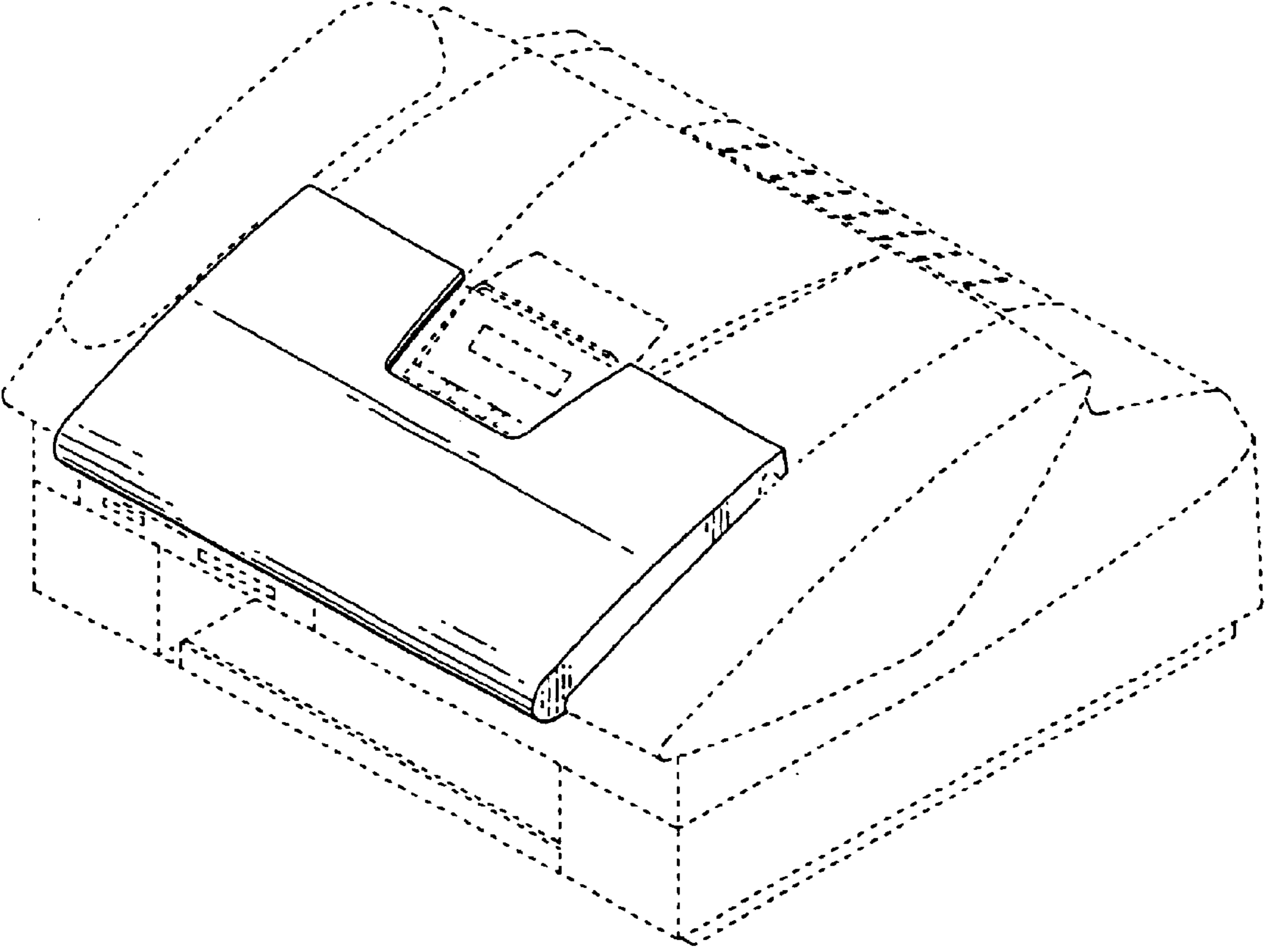


Fig. 7

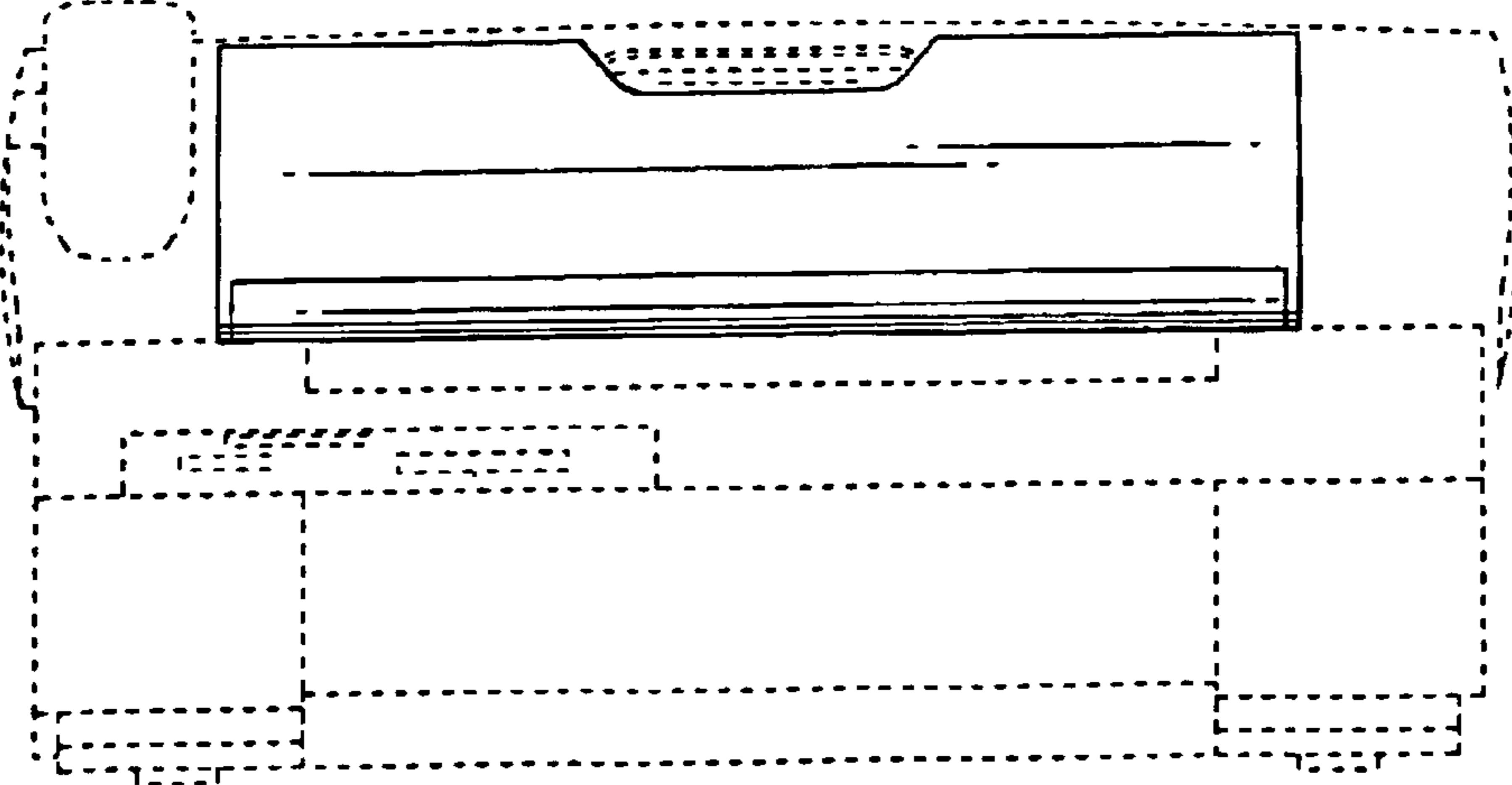


Fig. 8

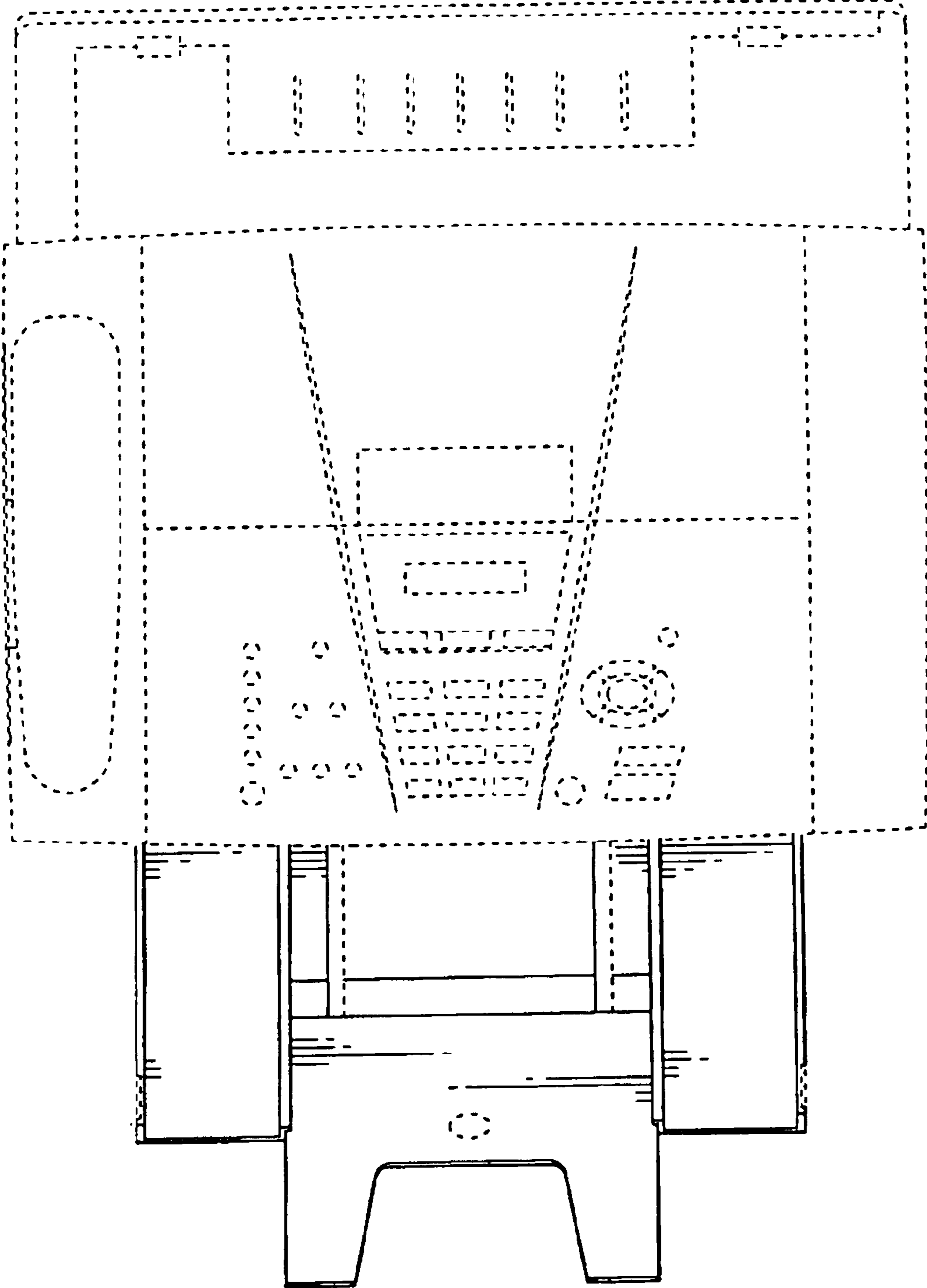


Fig. 9