



US00D510738S

(12) **United States Design Patent**  
**Matsui**

(10) **Patent No.:** **US D510,738 S**

(45) **Date of Patent:** **\*\* Oct. 18, 2005**

(54) **OPTICAL DATA DISC DRIVE**

(75) **Inventor:** **Nobuki Matsui, Tokyo (JP)**

(73) **Assignee:** **Teac Corporation (JP)**

(\*\*) **Term:** **14 Years**

(21) **Appl. No.:** **29/187,023**

(22) **Filed:** **Jul. 24, 2003**

(30) **Foreign Application Priority Data**

Jan. 24, 2003 (JP) ..... 2003-001626  
Jan. 24, 2003 (JP) ..... 2003-001625

(51) **LOC (8) Cl.** ..... **14-02**

(52) **U.S. Cl.** ..... **D14/363**

(58) **Field of Search** ..... D14/363, 365-66,  
D14/479, 367-370, 357, 348, 432, 441,  
442, 135, 136, 156, 157, 257; 361/818,  
685, 796; 312/223.1-223.2; 360/99.06,  
99.09, 96.5; 720/703, 616, 650, 652

(56) **References Cited**

**U.S. PATENT DOCUMENTS**

4,887,174 A \* 12/1989 Tezuka ..... 360/99.06  
D328,457 S \* 8/1992 Matsuzaka ..... D14/479  
D372,022 S \* 7/1996 Sawada et al. .... D14/366  
D382,863 S \* 8/1997 Horiuchi et al. .... D14/366  
D395,430 S \* 6/1998 Tatenuma ..... D14/479  
6,181,510 B1 \* 1/2001 Fujiura ..... 360/99.06  
6,268,977 B1 \* 7/2001 Yamada et al. .... 360/99.06  
6,396,686 B1 \* 5/2002 Liu et al. .... 361/685

6,552,897 B1 \* 4/2003 Jetter et al. .... 361/685  
D478,588 S \* 8/2003 Watanabe et al. .... D14/366  
2002/0122304 A1 \* 9/2002 Duncan ..... 361/818

\* cited by examiner

*Primary Examiner*—Alan P. Douglas

*Assistant Examiner*—Susan Moon Lee

(74) *Attorney, Agent, or Firm*—Anderson Kill & Olick, PC

(57) **CLAIM**

The ornamental design for an optical data disc drive, as shown and described.

**DESCRIPTION**

FIG. 1 is a front view of an optical data disc drive showing the design;

FIG. 2 is a top view thereof;

FIG. 3 is a bottom view thereof;

FIG. 4 is a left side view thereof;

FIG. 5 is a right side view thereof;

FIG. 6 is a perspective view thereof;

FIG. 7 is a front view of an optical data disc drive showing another embodiment of the design;

FIG. 8 is a top view of FIG. 7;

FIG. 9 is a bottom view of FIG. 7;

FIG. 10 is a left side view of FIG. 7;

FIG. 11 is a right side view of FIG. 7; and,

FIG. 12 is a perspective view of FIG. 7.

The broken lines in FIGS. 2,3,4,5,6,8,9,10, 11 and 12 are for illustrative purposes only and form no part of the claimed design.

**1 Claim, 6 Drawing Sheets**

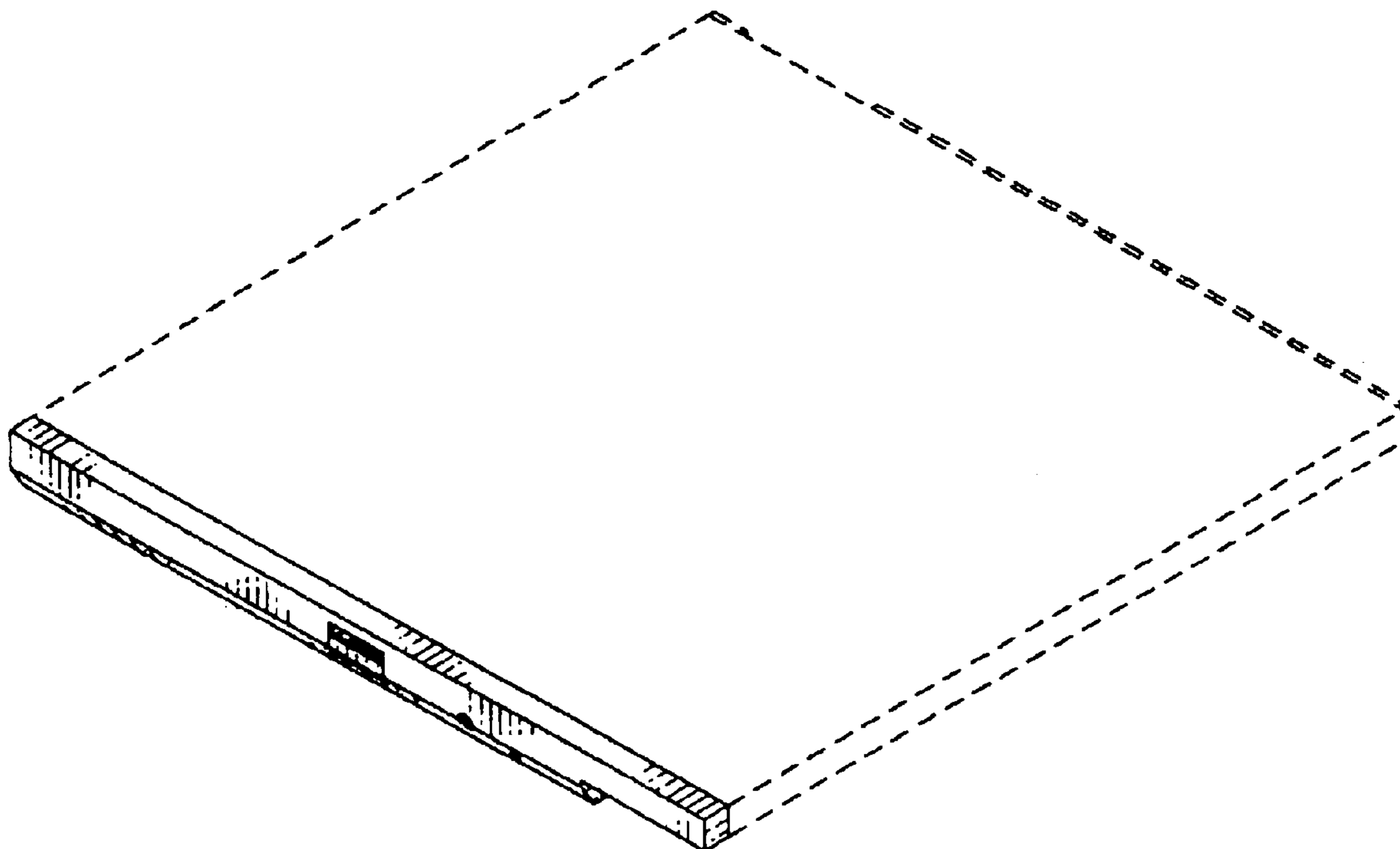


FIG. 1



FIG. 2

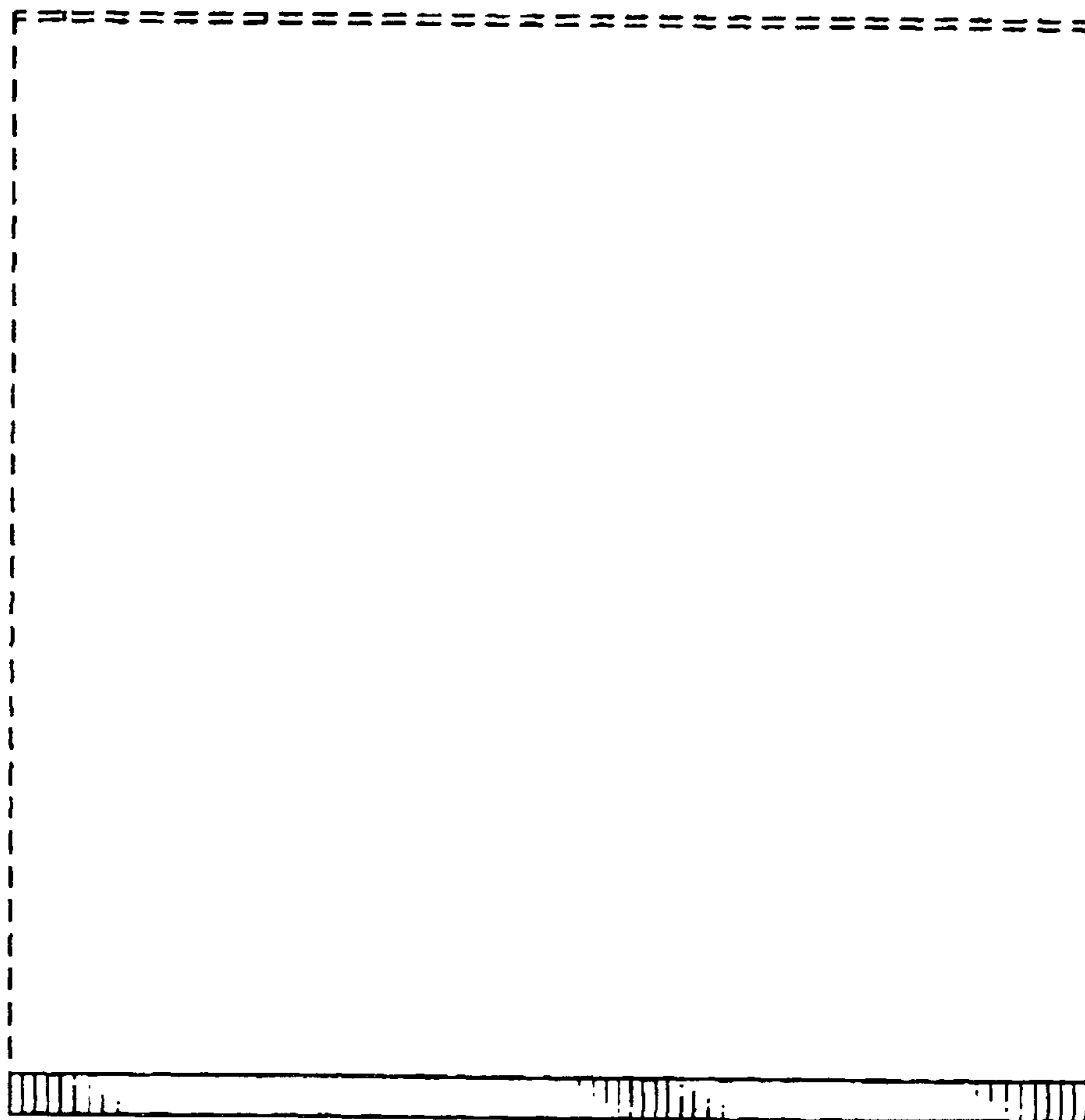


FIG. 3

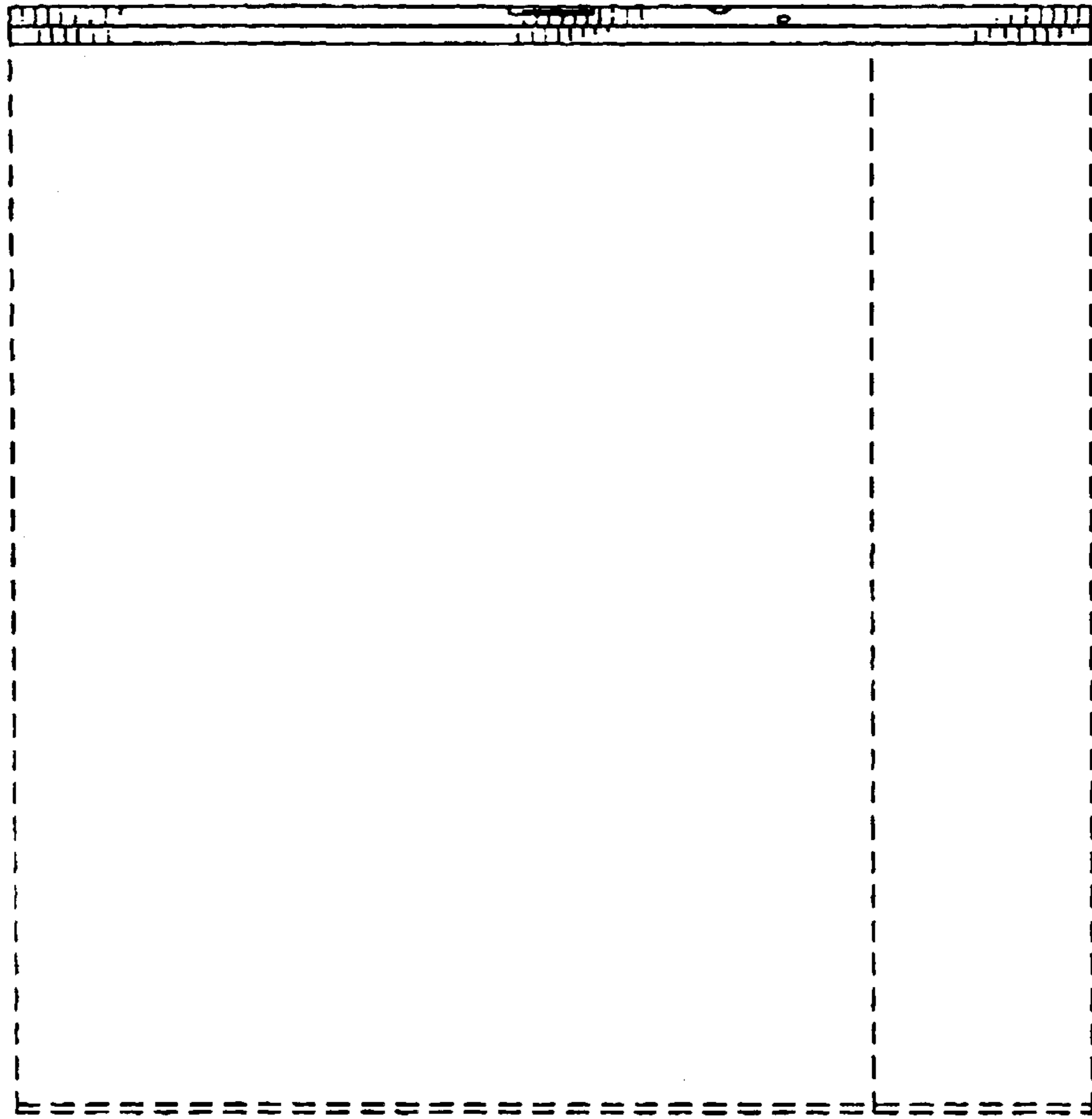


FIG. 4



FIG. 5

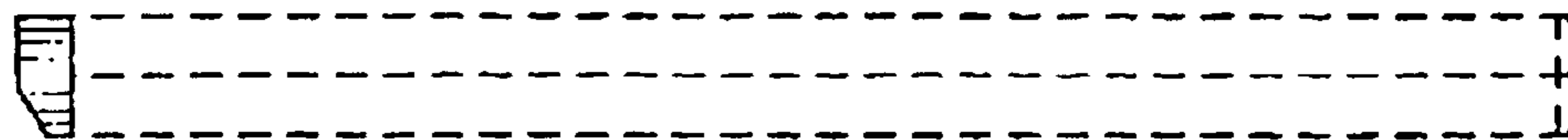


FIG. 6

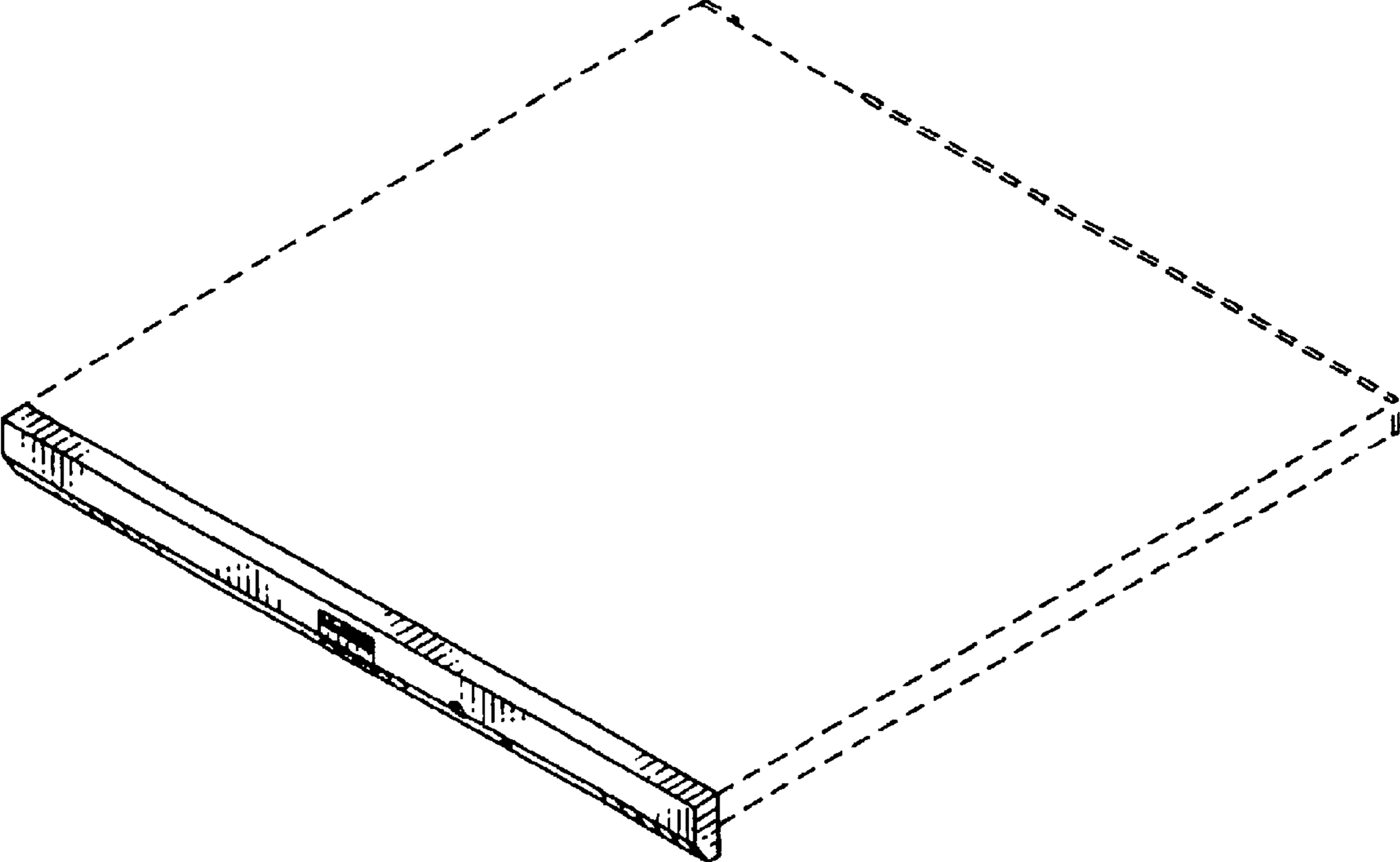


FIG. 7



FIG. 8

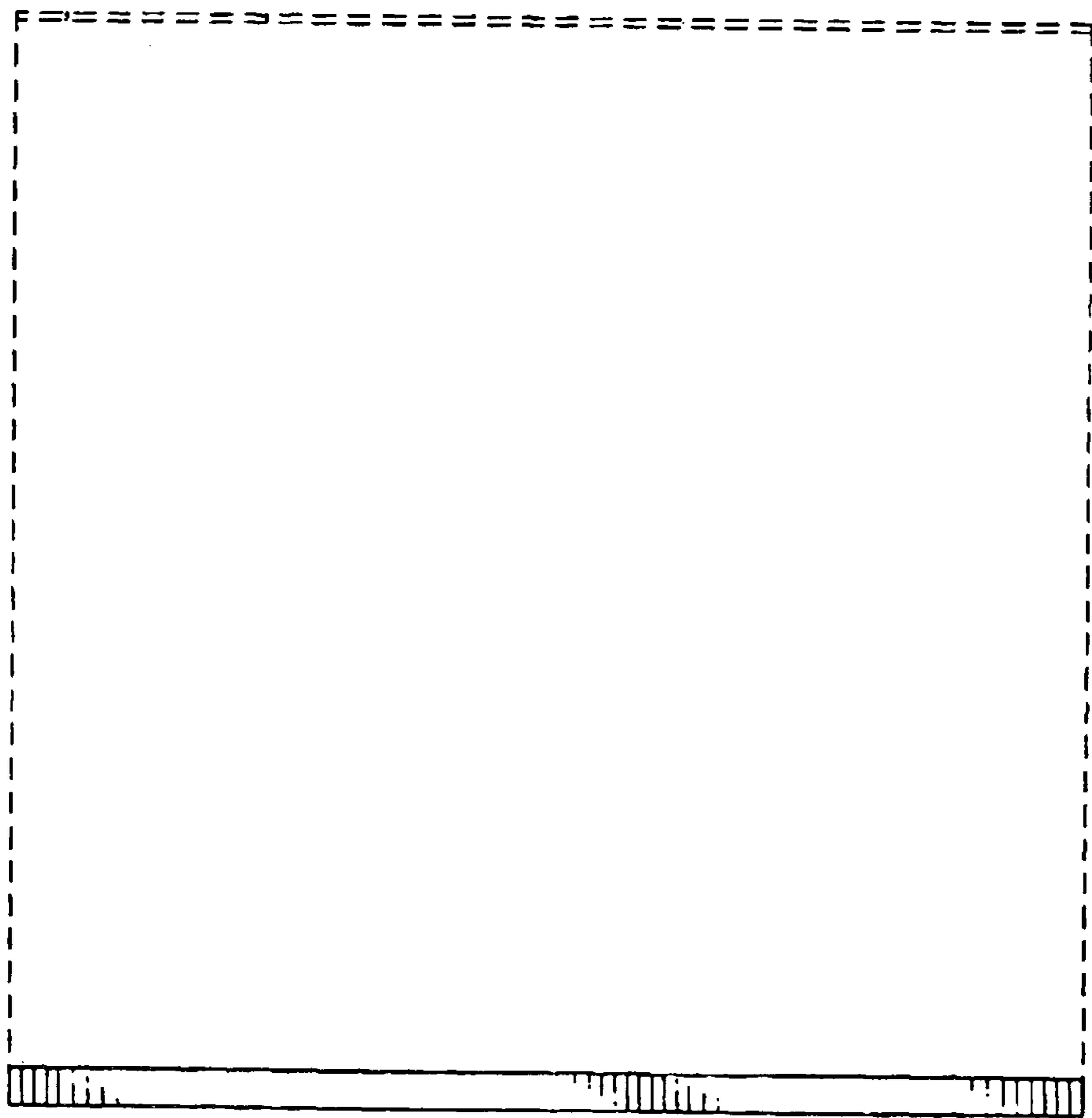


FIG. 9

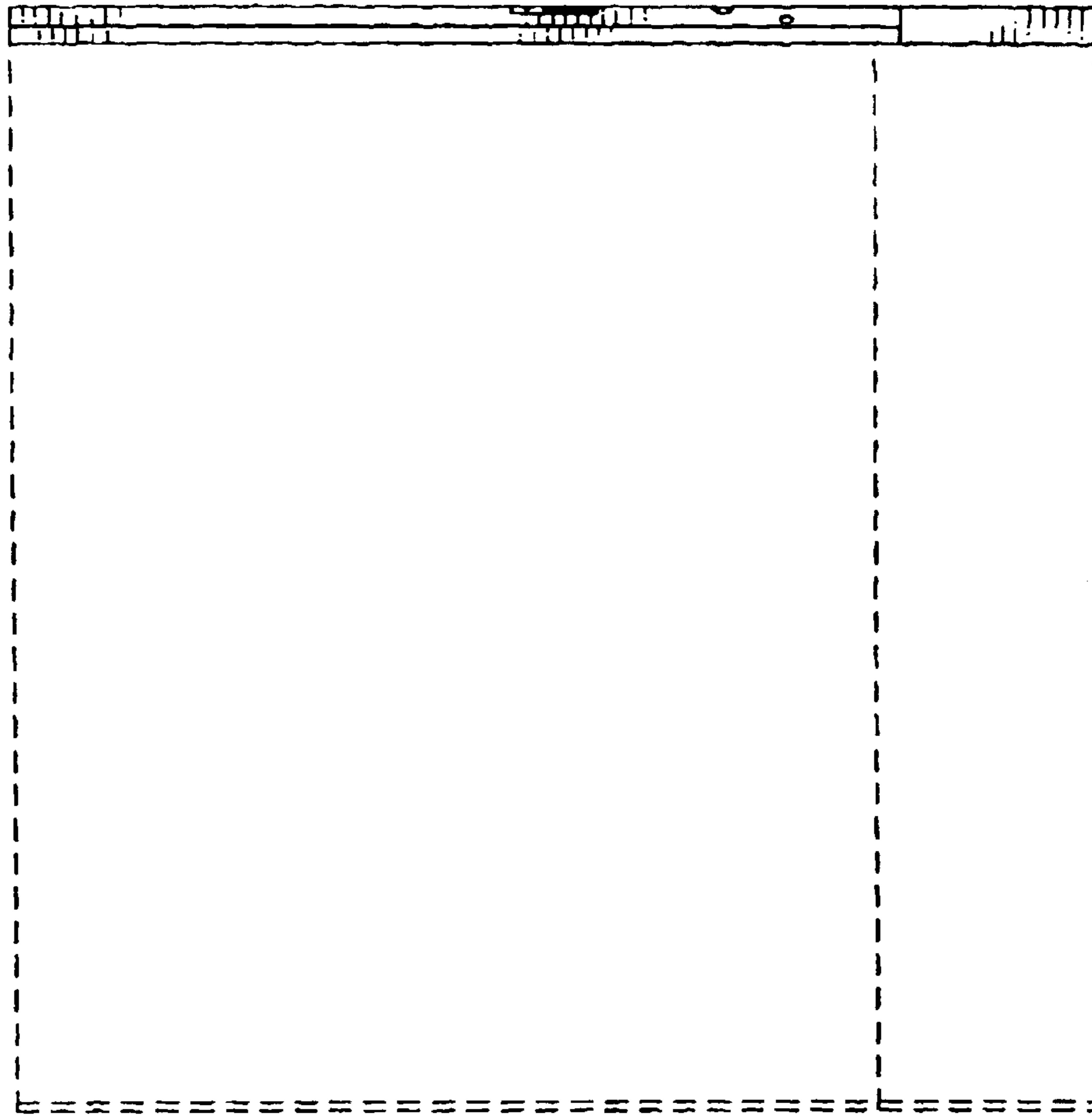


FIG. 10

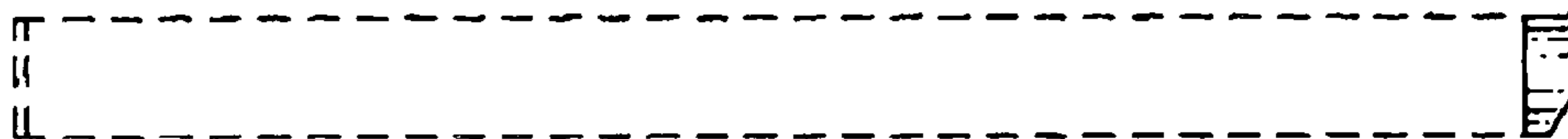


FIG. 11

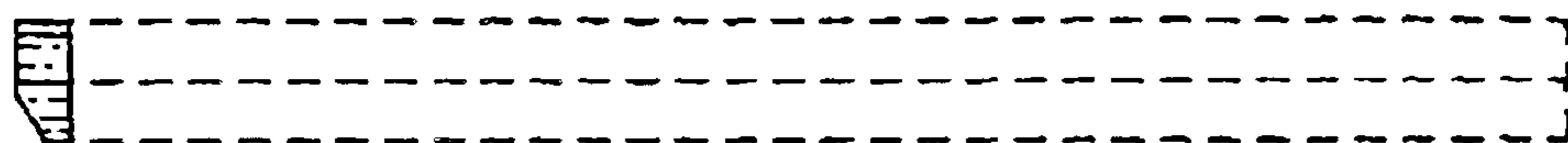


FIG. 12

