



US00D510734S

(12) **United States Design Patent**
Christianson

(10) **Patent No.:** **US D510,734 S**

(45) **Date of Patent:** **** Oct. 18, 2005**

(54) **TRANSMITTER**

(75) **Inventor:** **Tristan M. Christianson**, San Francisco, CA (US)

(73) **Assignee:** **Sharper Image Corporation**, San Francisco, CA (US)

(**) **Term:** **14 Years**

(21) **Appl. No.:** **29/209,292**

(22) **Filed:** **Jul. 14, 2004**

(51) **LOC (8) Cl.** **14-03**

(52) **U.S. Cl.** **D14/155**

(58) **Field of Search** D14/447, 438,
D14/435, 434, 433, 358, 357, 356, 351,
299, 242, 240, 159, 155, 142, 140, 125;
D13/123; D10/104; 455/550; 379/419; 375/220;
361/600

(56) **References Cited**

U.S. PATENT DOCUMENTS

D363,064 S	*	10/1995	Rogov	D14/433
D386,104 S	*	11/1997	Nowak	D10/104
D401,580 S	*	11/1998	Goto	D14/155
D413,894 S	*	9/1999	Matthews et al.	D14/240
D417,223 S	*	11/1999	Groves et al.	D14/242
D433,381 S	*	11/2000	Talesfore	D13/123
D445,705 S	*	7/2001	Kliegman et al.	D10/104

D446,143 S	*	8/2001	Kliegman et al.	D10/104
D452,233 S	*	12/2001	Kubik et al.	D14/242
D454,557 S	*	3/2002	Do et al.	D14/242
D473,547 S	*	4/2003	Tanaka	D14/242
D480,075 S	*	9/2003	Tanaka	D14/242

* cited by examiner

Primary Examiner—Cathron C. Brooks

Assistant Examiner—Austin Murphy

(74) *Attorney, Agent, or Firm*—Bell, Boyd, & Lloyd LLC

(57) **CLAIM**

The ornamental design for a transmitter, as shown and described.

DESCRIPTION

FIG. 1 is a front perspective view of a transmitter, showing my new design;

FIG. 2 is a rear perspective view thereof;

FIG. 3 is a front view thereof;

FIG. 4 is a rear view thereof;

FIG. 5 is a left side view thereof.

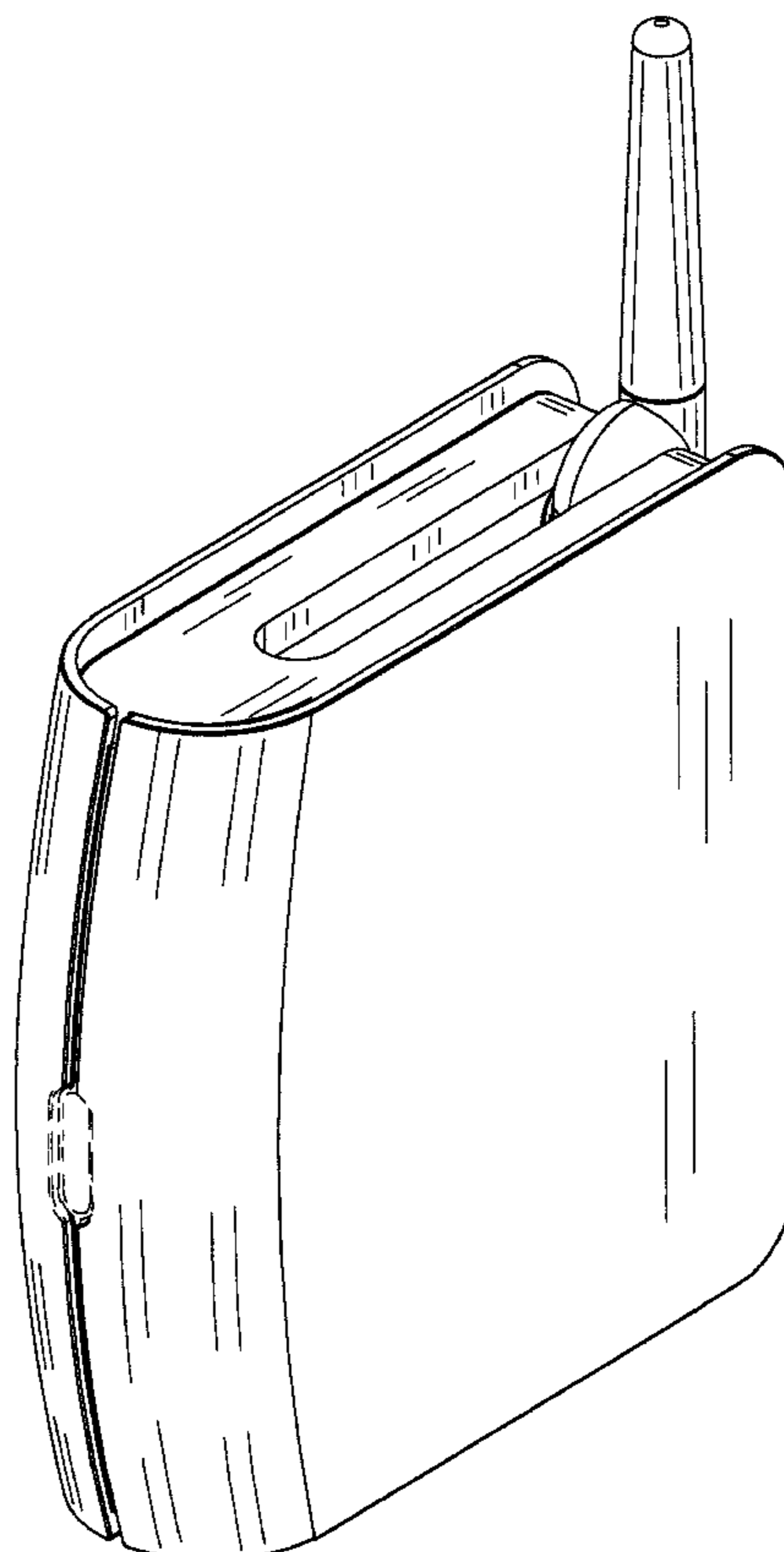
FIG. 6 is a top view thereof; and,

FIG. 7 is a bottom view thereof.

The right side view is a mirror image of the left side view as shown in FIG. 5, and thus not shown.

The portions shown in broken lines in FIGS. 1–7 are for illustrative purposes only and form no part of the claimed design.

1 Claim, 5 Drawing Sheets



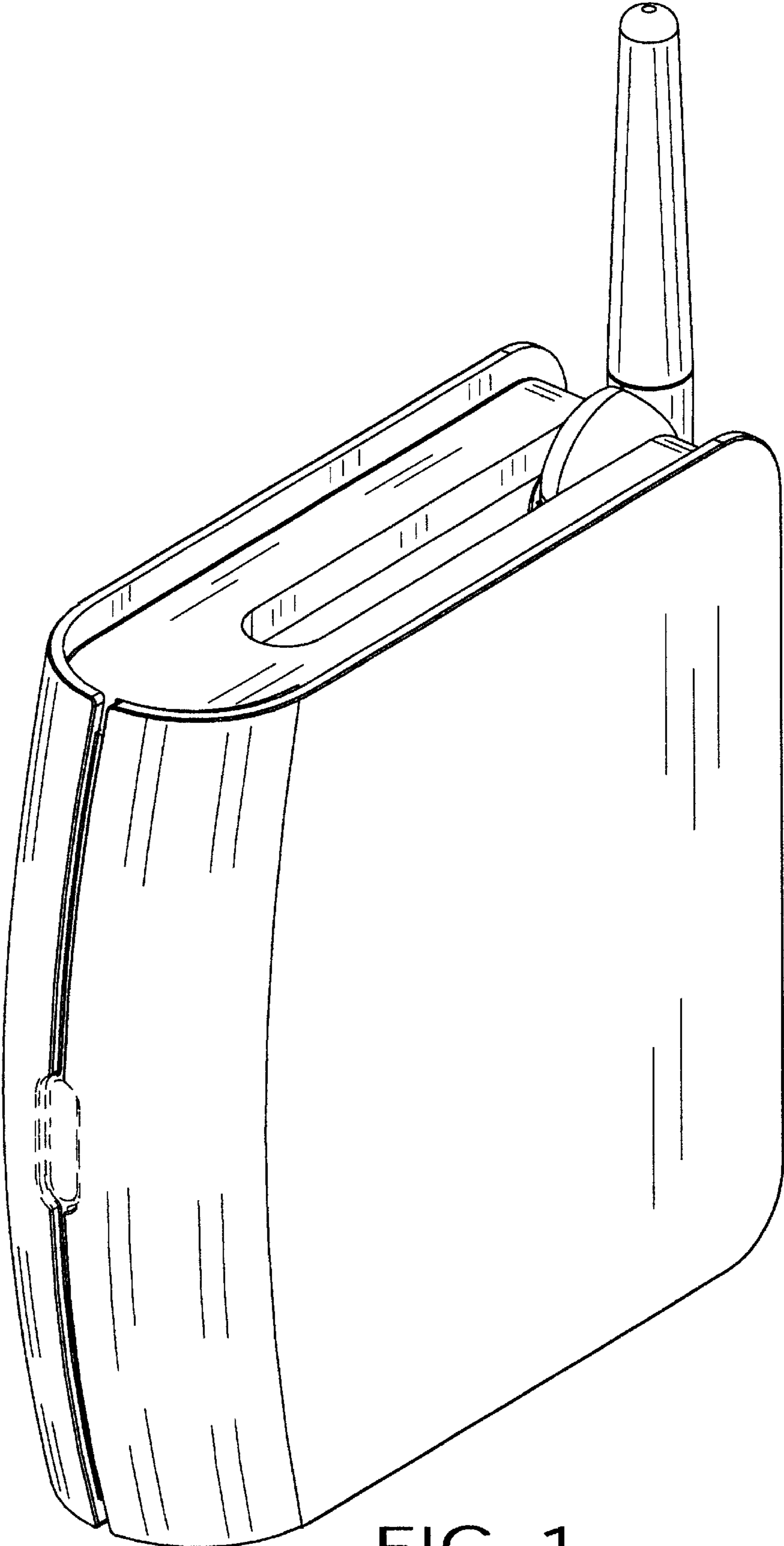


FIG. 1

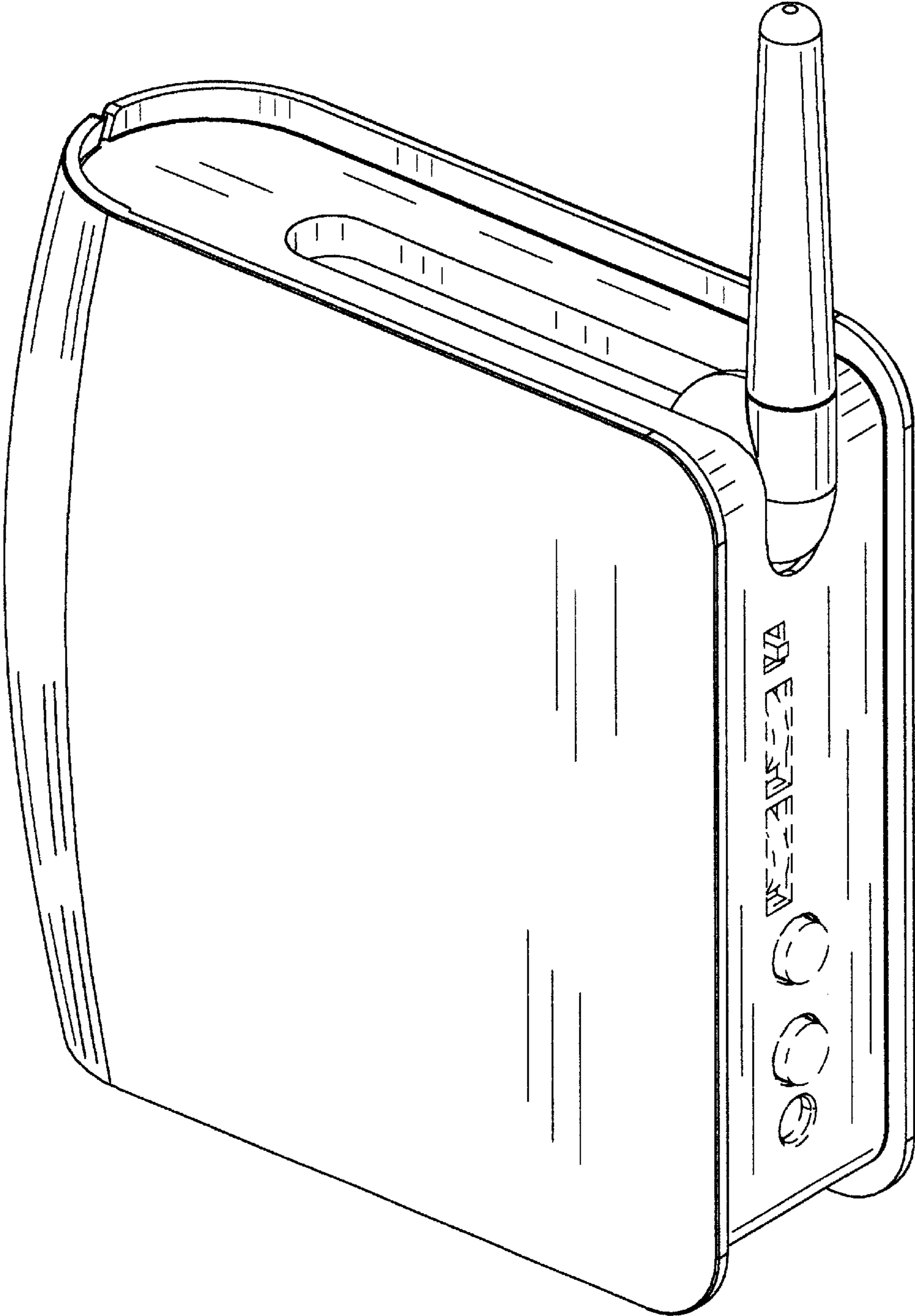


FIG. 2

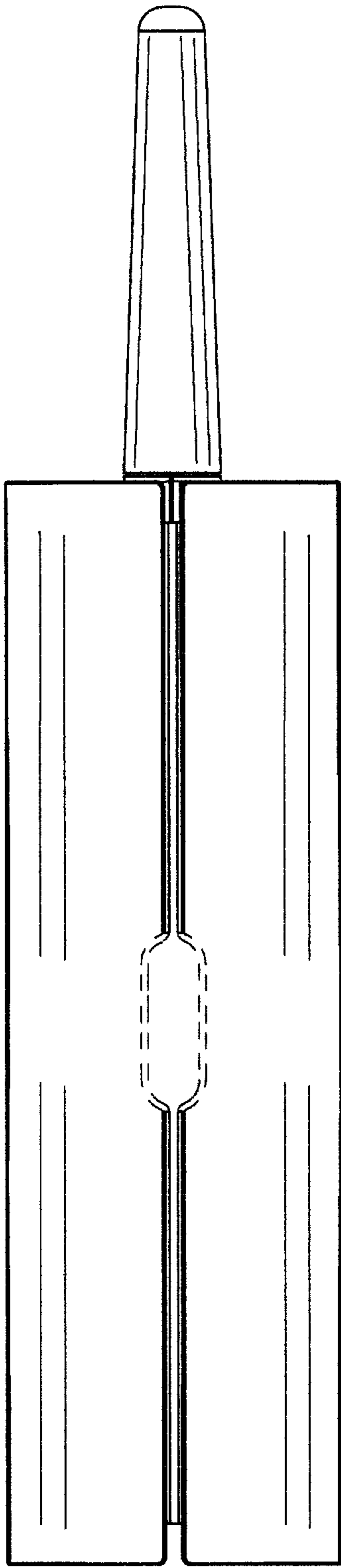


FIG. 3

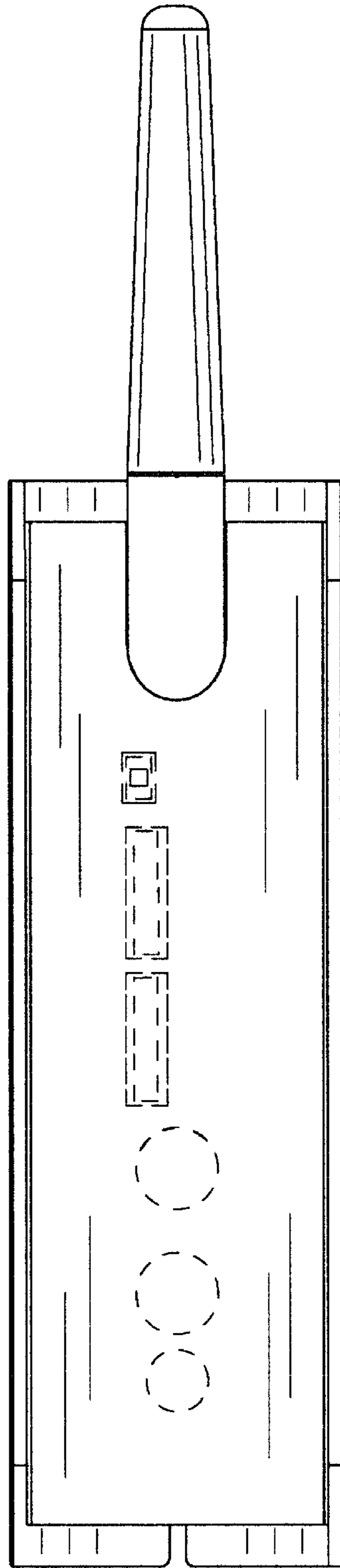


FIG. 4

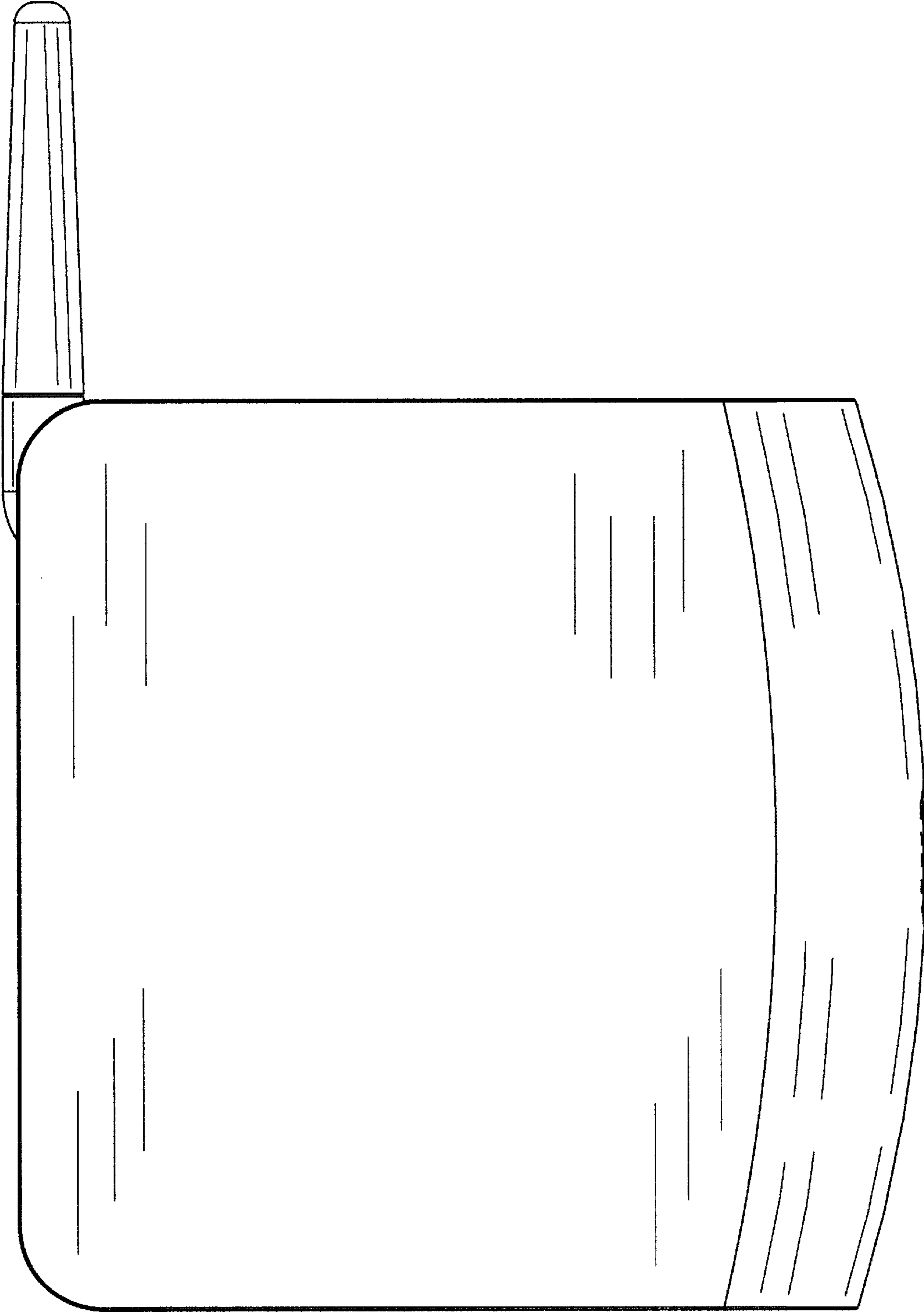


FIG. 5

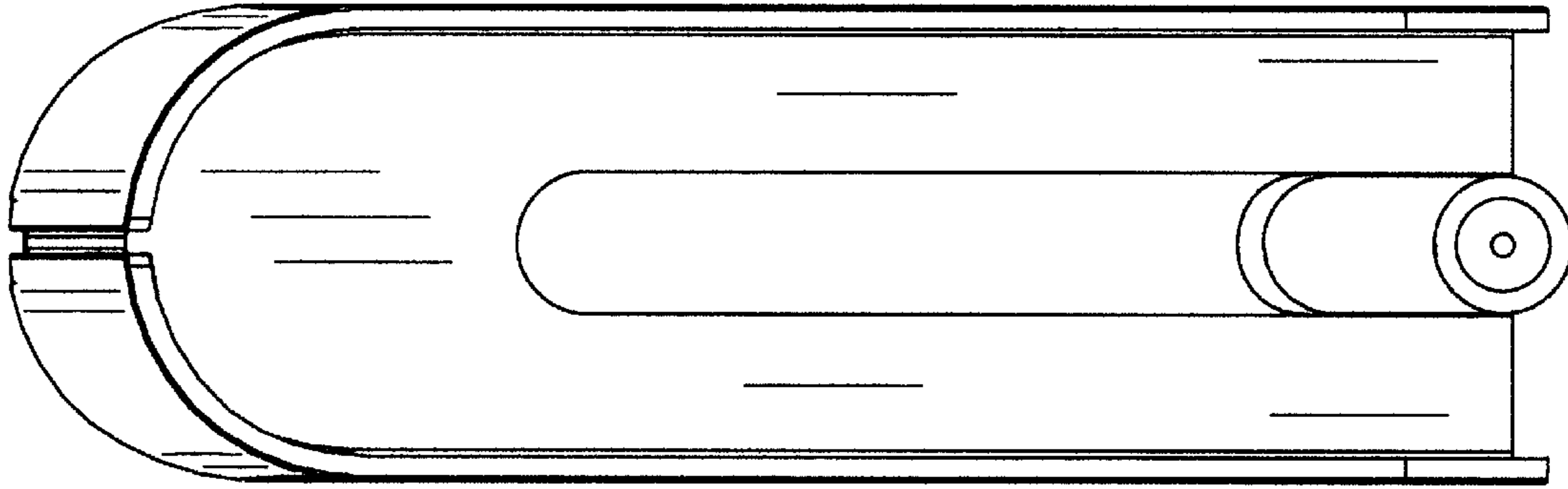


FIG. 6

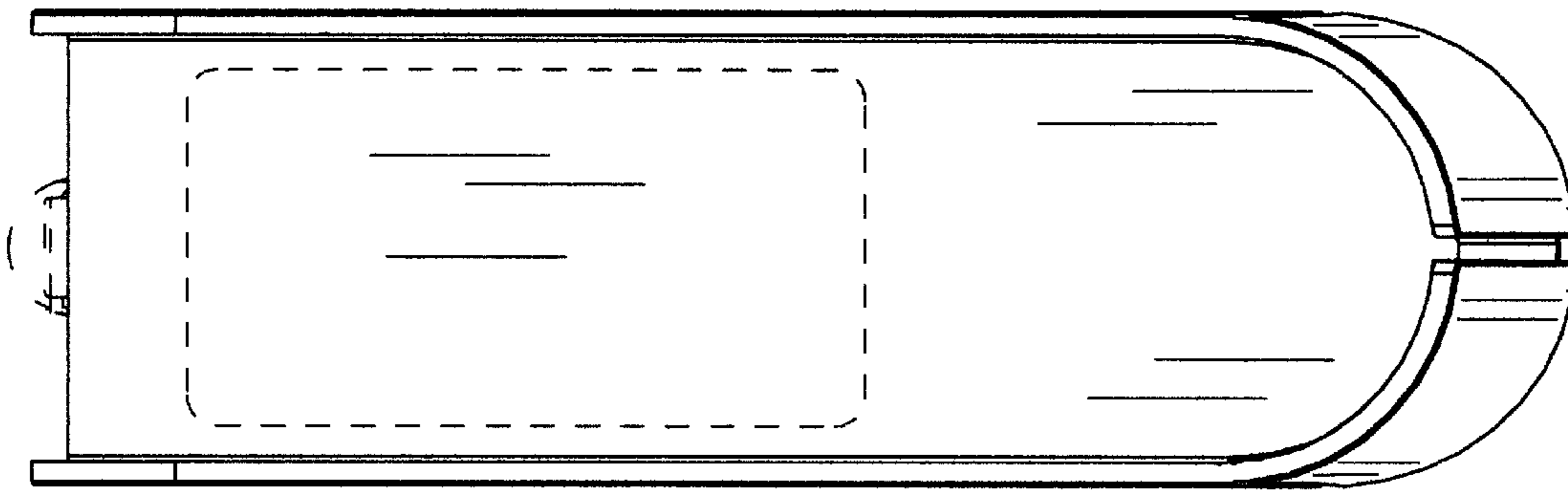


FIG. 7