



US00D510730S

(12) **United States Design Patent** (10) **Patent No.:** **US D510,730 S**
Asanuma et al. (45) **Date of Patent:** **** Oct. 18, 2005**

(54) **TELEVISION SET**

D501,451 S * 2/2005 Harata D14/126
D503,158 S * 3/2005 Asanuma et al. D14/126

(75) Inventors: **Takashi Asanuma**, Ota-ku (JP);
Tatsuya Honda, Yokohama (JP)

FOREIGN PATENT DOCUMENTS

(73) Assignee: **Kabushiki Kaisha Toshiba** (JP)

CN	01321822	4/2002
JP	1080756	7/2000
JP	1170212	4/2003
JP	1193339	1/2004
JP	1193614	1/2004

(**) Term: **14 Years**

(21) Appl. No.: **29/205,992**

OTHER PUBLICATIONS

(22) Filed: **May 25, 2004**

Victor. JVC Catalog, The Perfect Experience, EXE, p. 8, Jul. 2003.

(30) **Foreign Application Priority Data**

Apr. 15, 2004 (JP) 2004-011534

* cited by examiner

(51) **LOC (8) Cl.** **14-03**

Primary Examiner—Raphael Barkai

(52) **U.S. Cl.** **D14/126**

(74) *Attorney, Agent, or Firm*—Banner & Witcoff, Ltd.

(58) **Field of Search** D14/125–134,
D14/239, 371, 374–376; 312/7.2; 348/836,
838, 180, 184, 325, 739; 341/12; 248/917–924;
345/104, 133, 156, 168, 87, 173; 353/74

(57) **CLAIM**

The ornamental design for a television set, as shown and described.

(56) **References Cited**

DESCRIPTION

U.S. PATENT DOCUMENTS

D429,227 S	*	8/2000	Shimizu	D14/375
D474,163 S		5/2003	Araki		
D474,454 S		5/2003	Izu et al.		
D487,433 S	*	3/2004	Kanatani	D14/126
D487,731 S	*	3/2004	Takami et al.	D14/126
D489,340 S		5/2004	Honda		
D491,540 S		6/2004	Honda		
D494,149 S	*	8/2004	Shih	D14/126
D498,217 S	*	11/2004	Kim et al.	D14/126

FIG. 1 is a front, top and right side perspective view of a television set, showing our new design;
FIG. 2 is a front elevational view thereof;
FIG. 3 is a rear elevational view thereof;
FIG. 4 is a top plan view thereof;
FIG. 5 is a bottom plan view thereof;
FIG. 6 is a left side elevational view thereof; and,
FIG. 7 is a right side elevational view thereof.

1 Claim, 3 Drawing Sheets

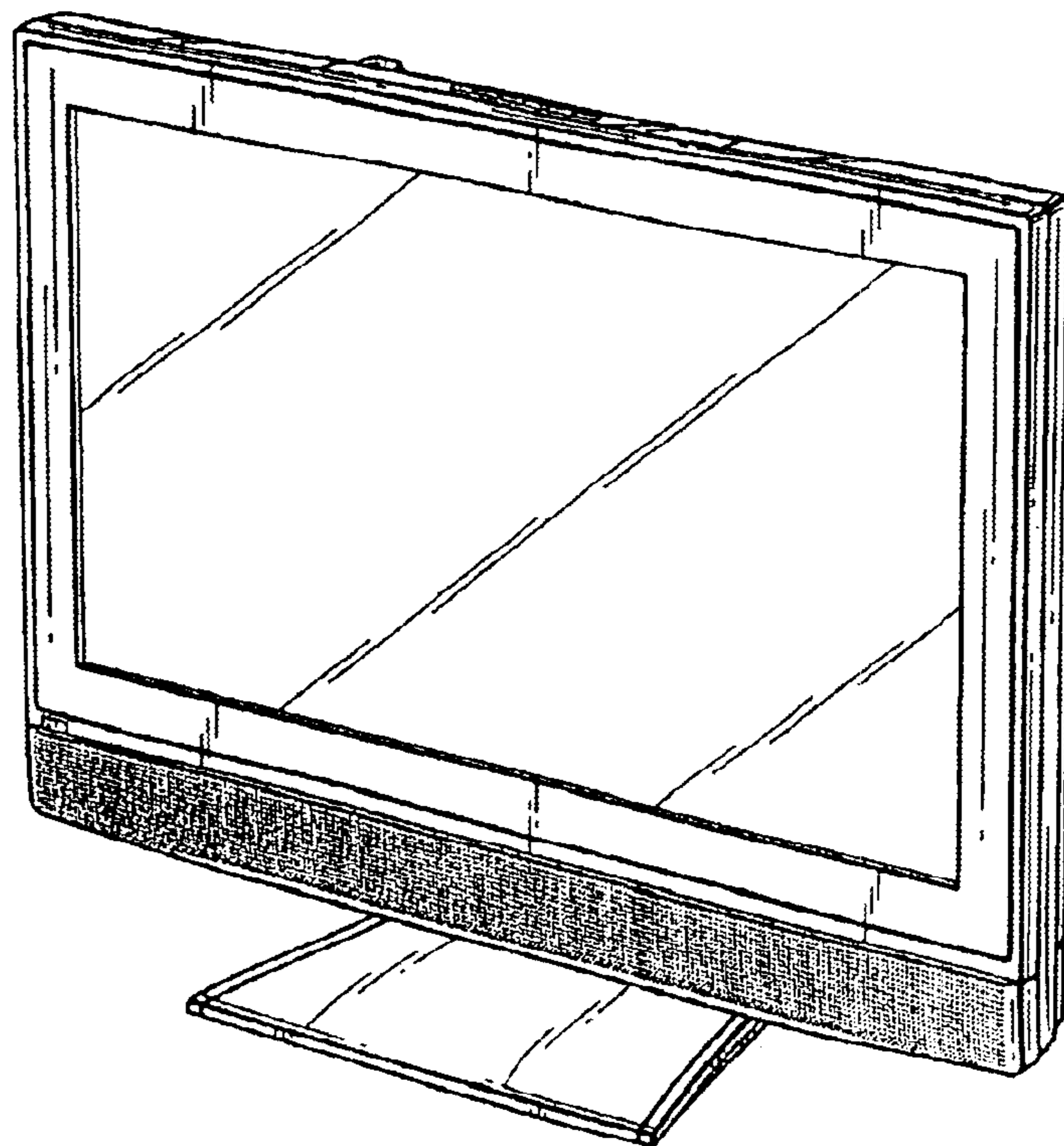


FIG. 1

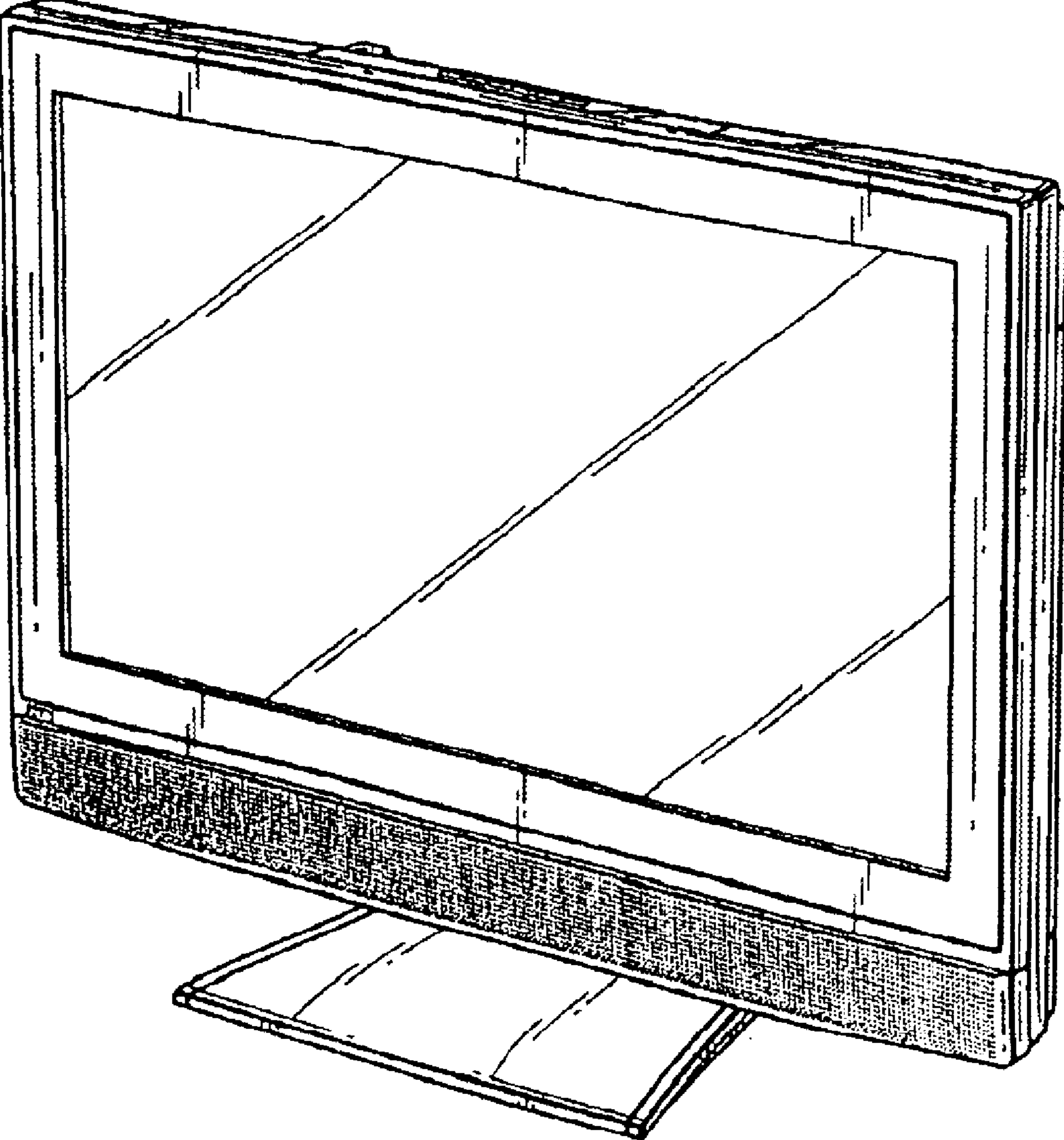


FIG. 2.

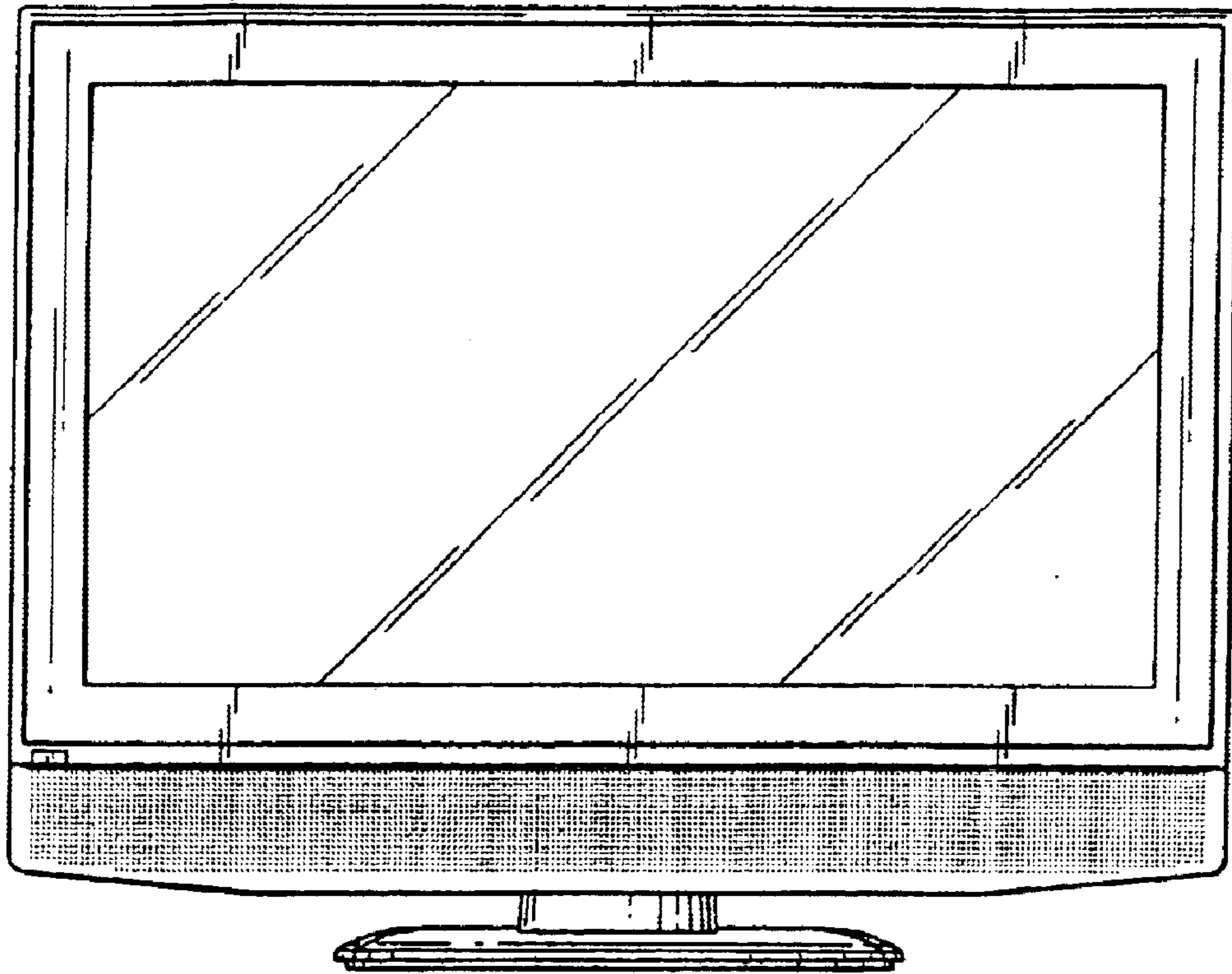


FIG. 3

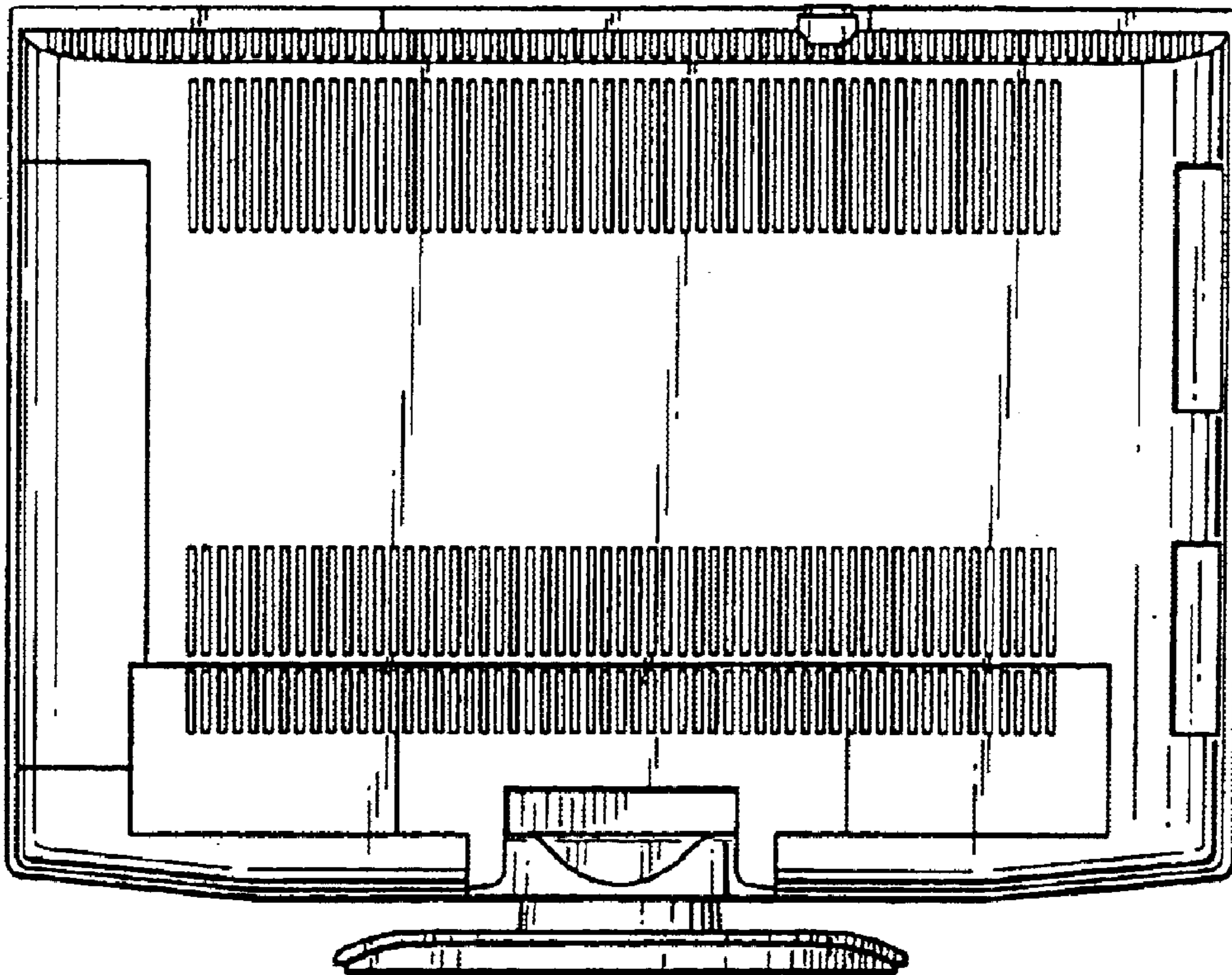


FIG. 4

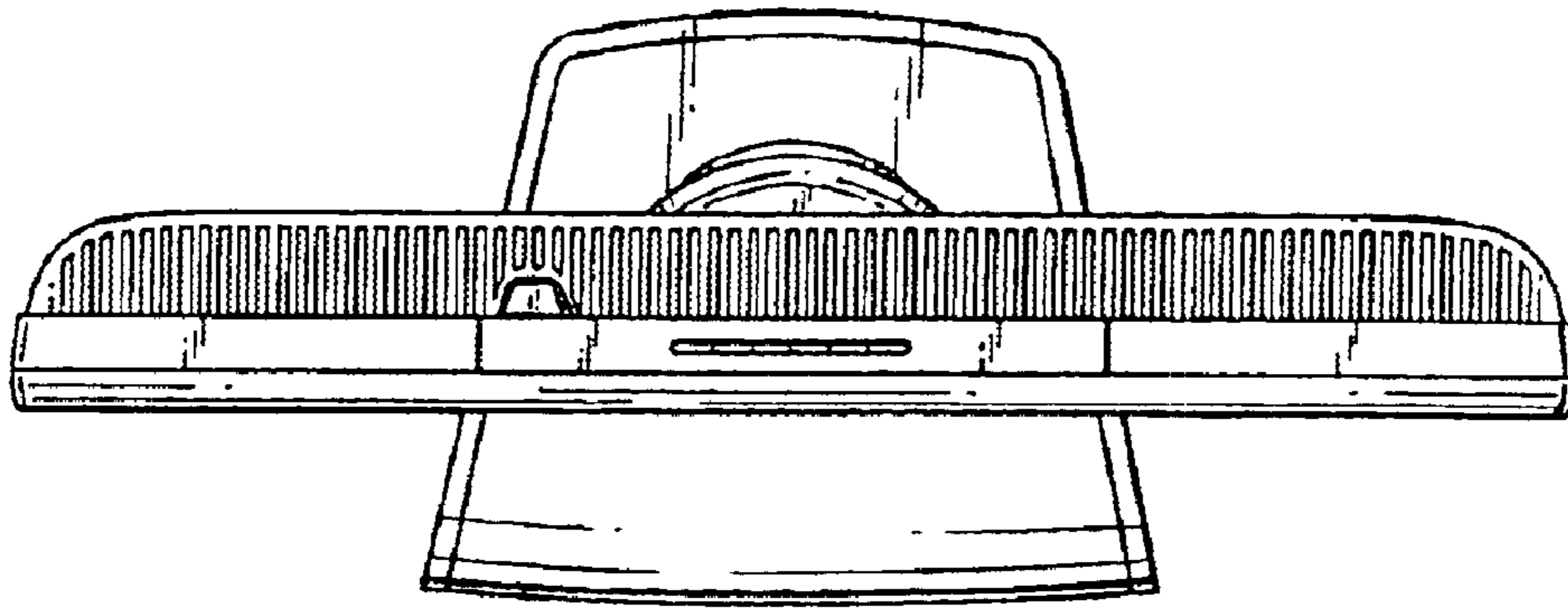


FIG. 5

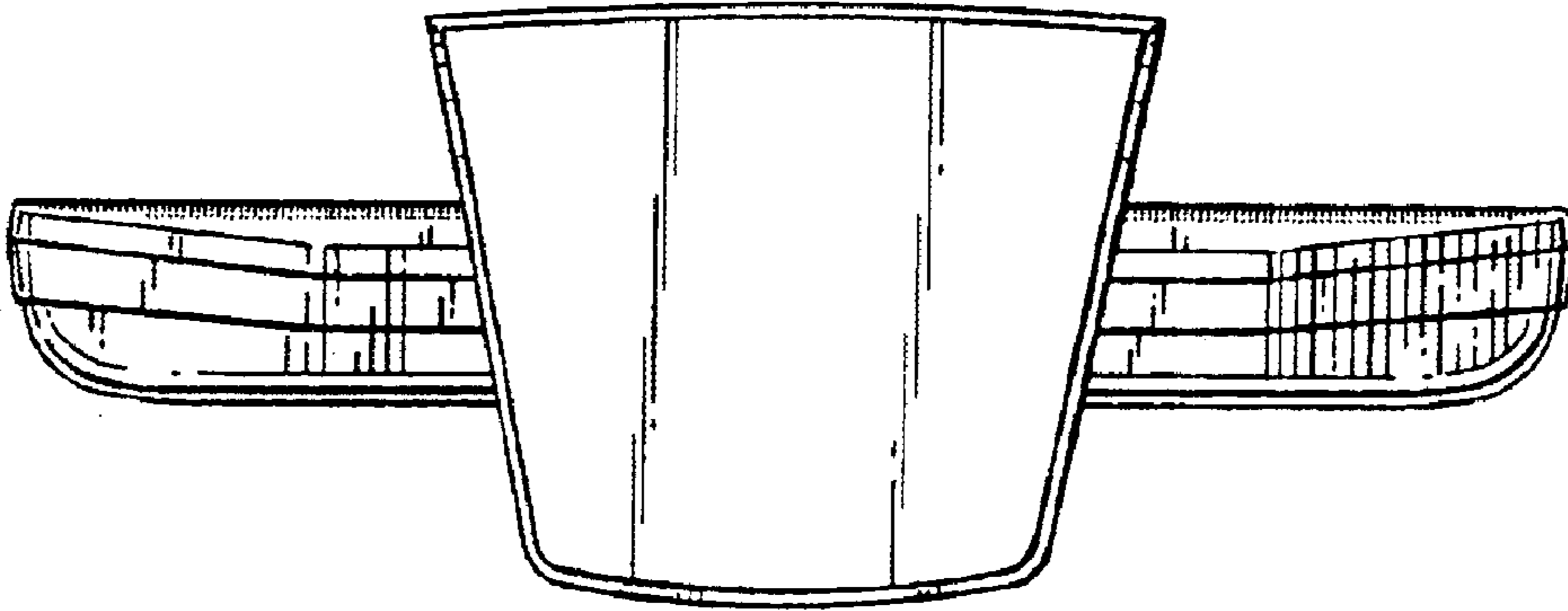


FIG. 6

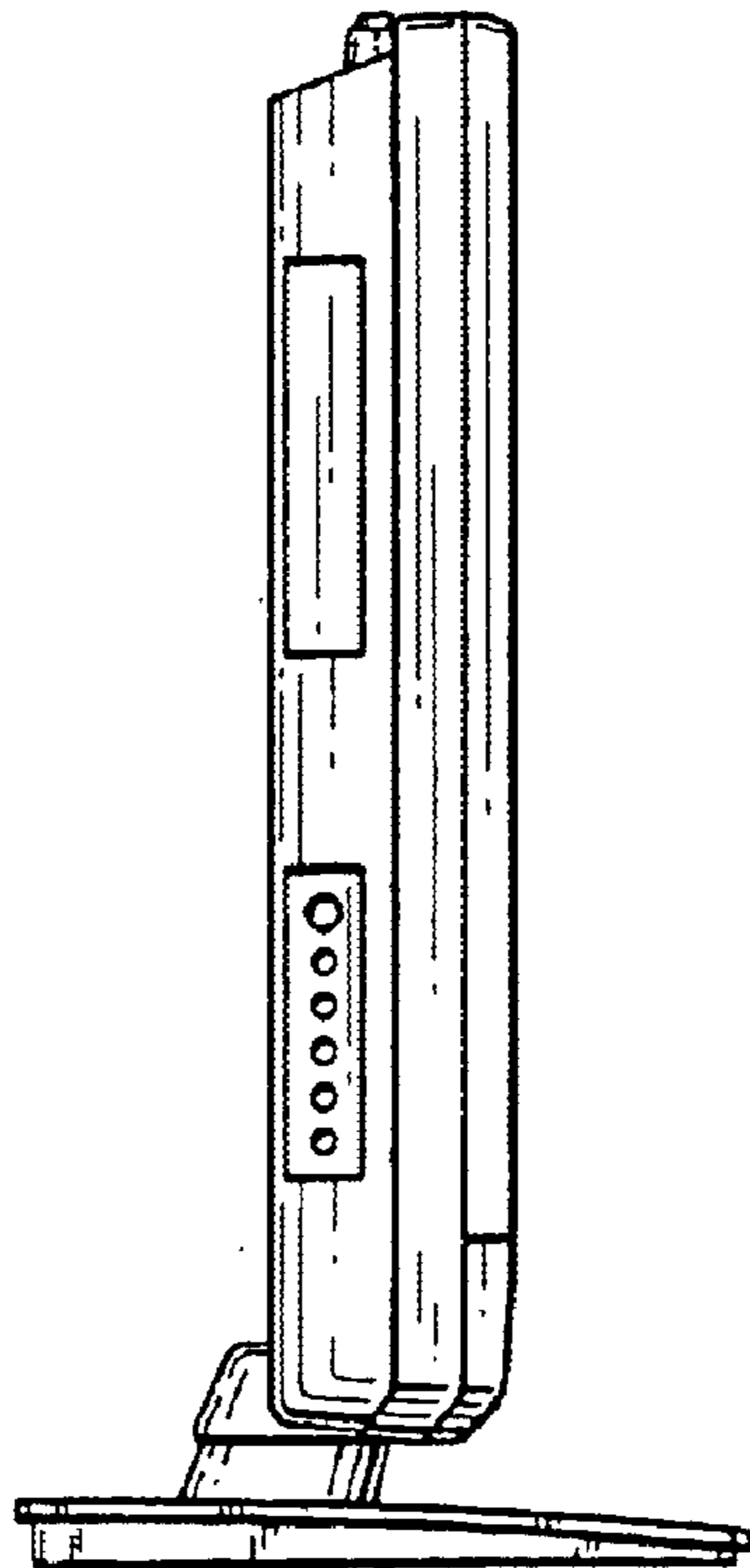


FIG. 7

