



US00D510729S

(12) **United States Design Patent**  
**Chen et al.**

(10) **Patent No.:** **US D510,729 S**  
(45) **Date of Patent:** **\*\* Oct. 18, 2005**

- (54) **TV TUNER BOX**
- (75) Inventors: **Chang-Jung Chen**, Taipei (TW);  
**Chun-Hsiung Yin**, Tainan (TW)
- (73) Assignee: **BENQ Corporation**, Taoyuan (TW)
- (\*\*) Term: **14 Years**
- (21) Appl. No.: **29/192,383**
- (22) Filed: **Oct. 23, 2003**
- (51) **LOC (8) Cl.** ..... **14-03**
- (52) **U.S. Cl.** ..... **D14/125; D14/239**
- (58) **Field of Search** ..... D14/299, 356,  
D14/361-363, 365, 466, 125, 126, 432,  
135-136, 239, 357, 188, 198; 348/460,  
10; 361/690-696, 681, 752; 312/208.1,  
223.2; 455/3.1-3.2, 6.1-6.3, 3.04

D481,021 S \* 10/2003 Hayashi et al. .... D14/125  
6,744,623 B2 \* 6/2004 Numano et al. .... 361/681

**OTHER PUBLICATIONS**

Tech Selections, p. 186, 2002.\*

\* cited by examiner

*Primary Examiner*—Raphael Barkai

(74) *Attorney, Agent, or Firm*—Quintero Law Office

(57) **CLAIM**

The ornamental design for a TV tuner box, as shown and described.

**DESCRIPTION**

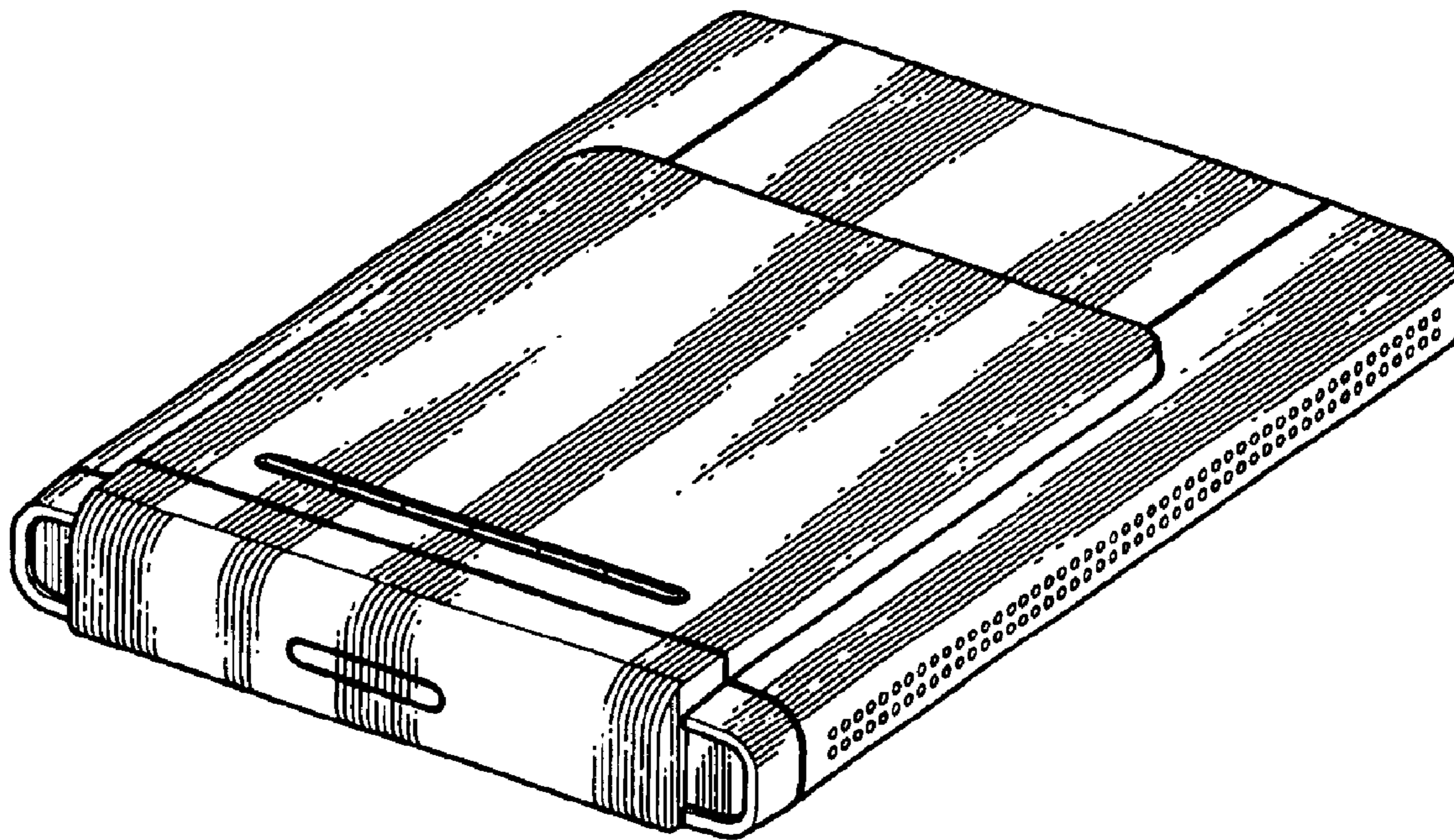
FIG. 1 is a perspective view thereof;  
FIG. 2 is a front elevational view thereof;  
FIG. 3 is a rear elevational view thereof;  
FIG. 4 is a left side elevational view thereof;  
FIG. 5 is a right side elevational view thereof;  
FIG. 6 is a top plane view thereof;  
FIG. 7 is a bottom plane view thereof; and,  
FIG. 8 is a bottom perspective view thereof.

(56) **References Cited**

**U.S. PATENT DOCUMENTS**

- D345,970 S \* 4/1994 Kawamoto ..... D14/239
- D360,413 S \* 7/1995 Kawazoe et al. .... D14/125
- 5,602,581 A \* 2/1997 Ozaki ..... 361/752
- D439,569 S \* 3/2001 Kita ..... D14/125

**1 Claim, 8 Drawing Sheets**



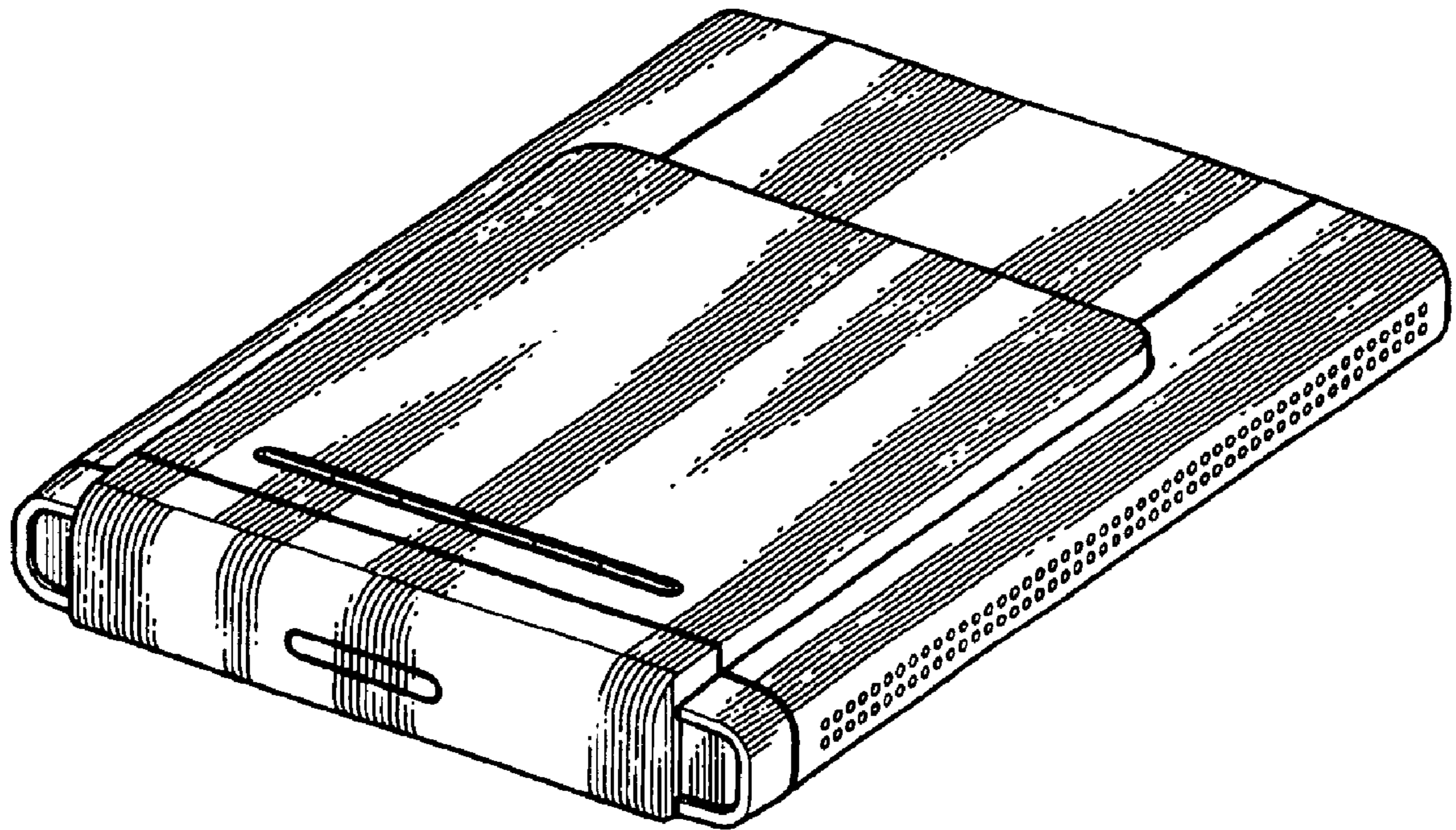


FIG. 1

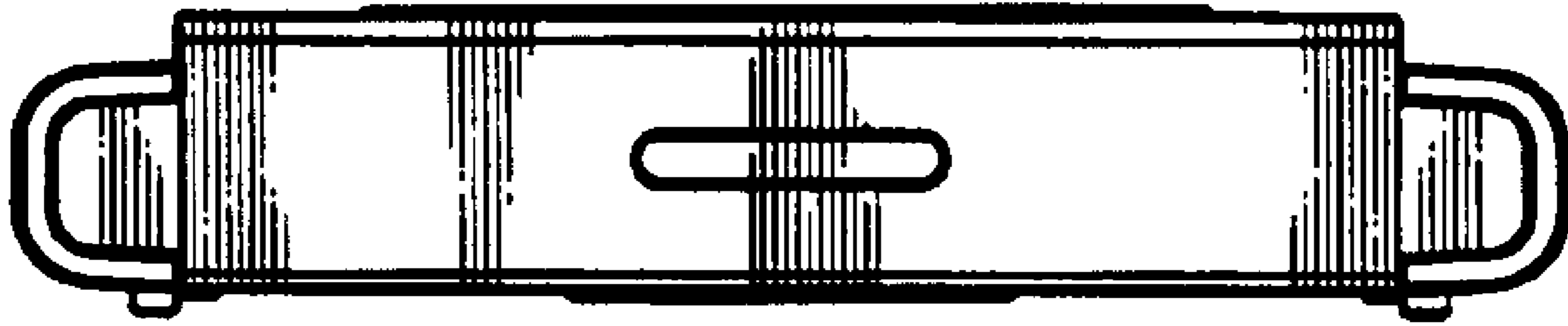


FIG. 2

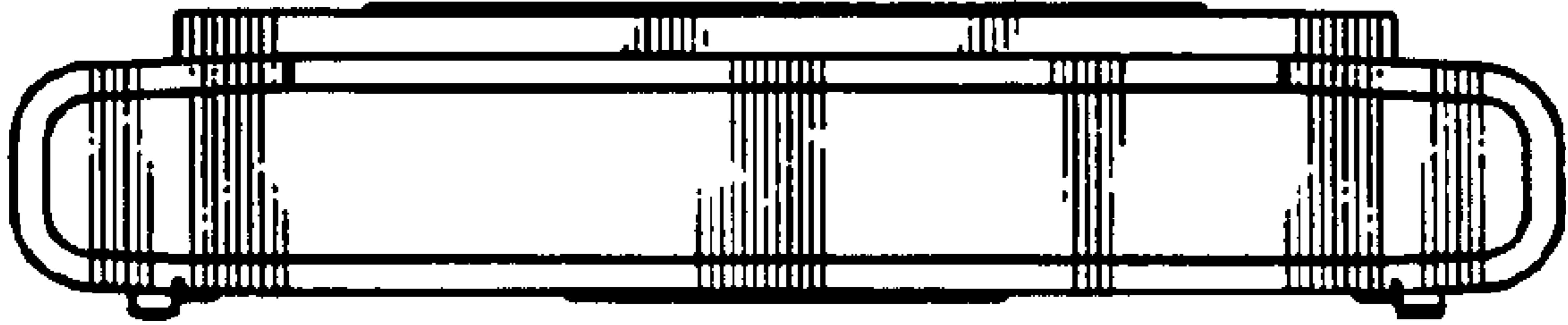


FIG. 3

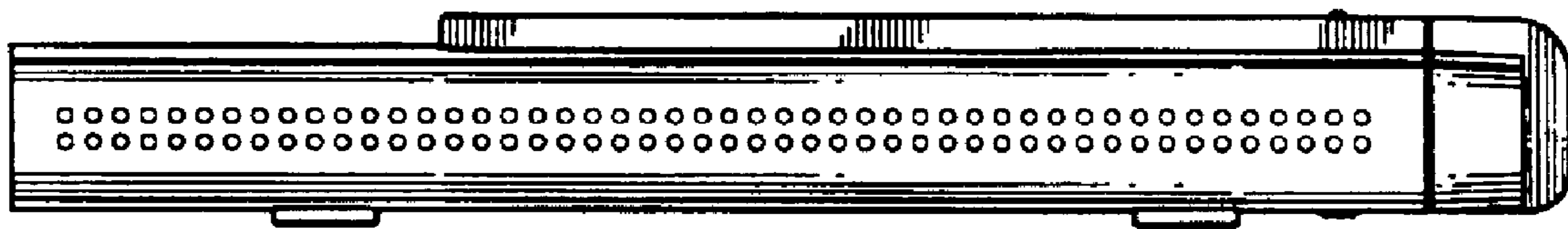


FIG. 4

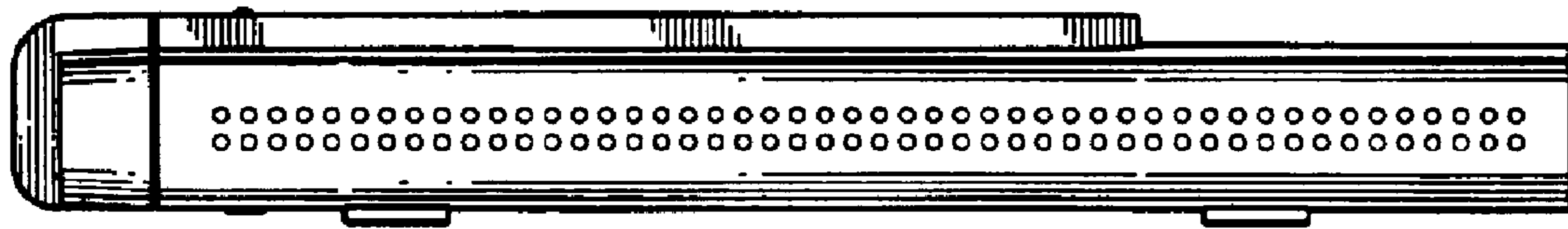


FIG. 5



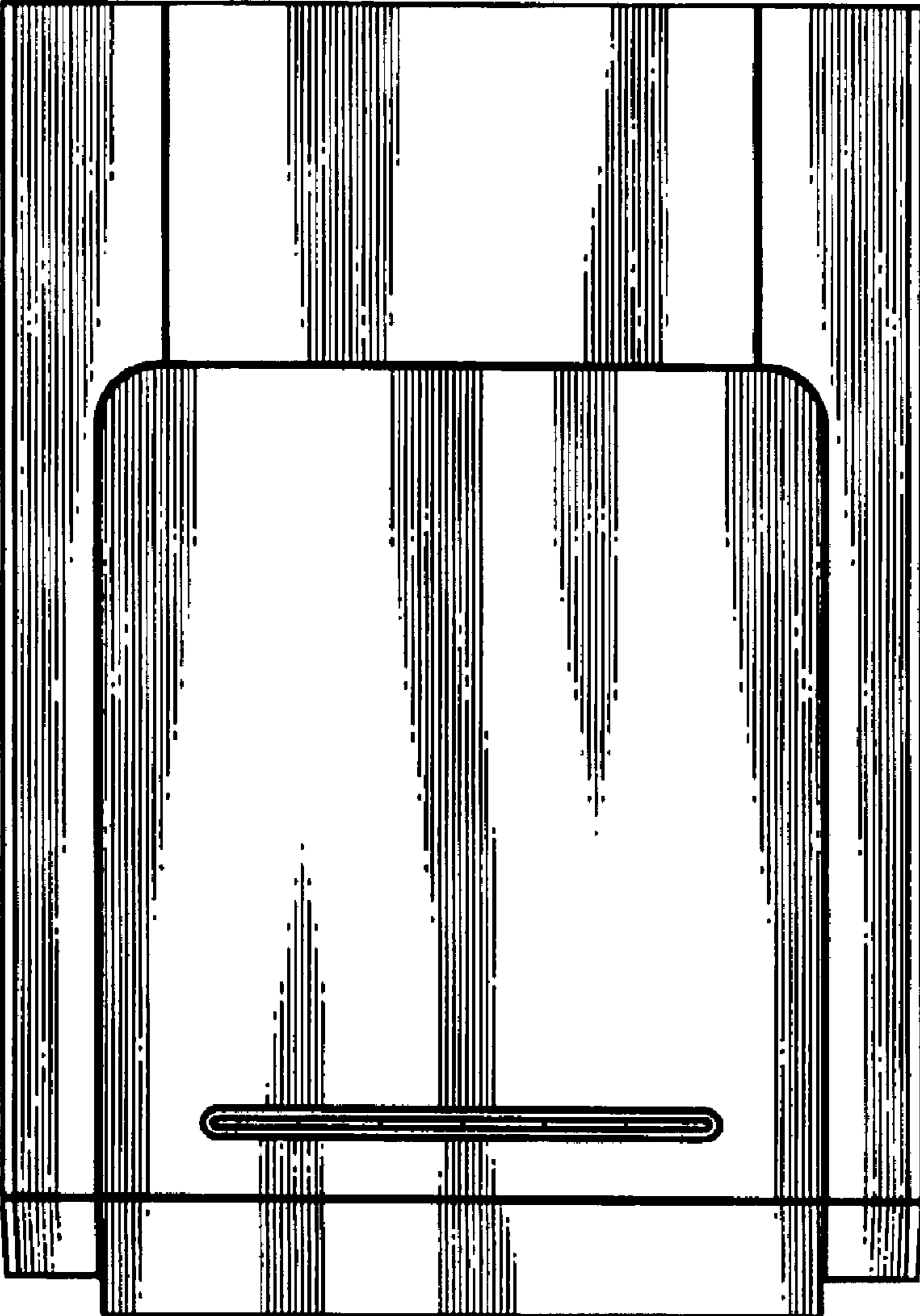


FIG. 6

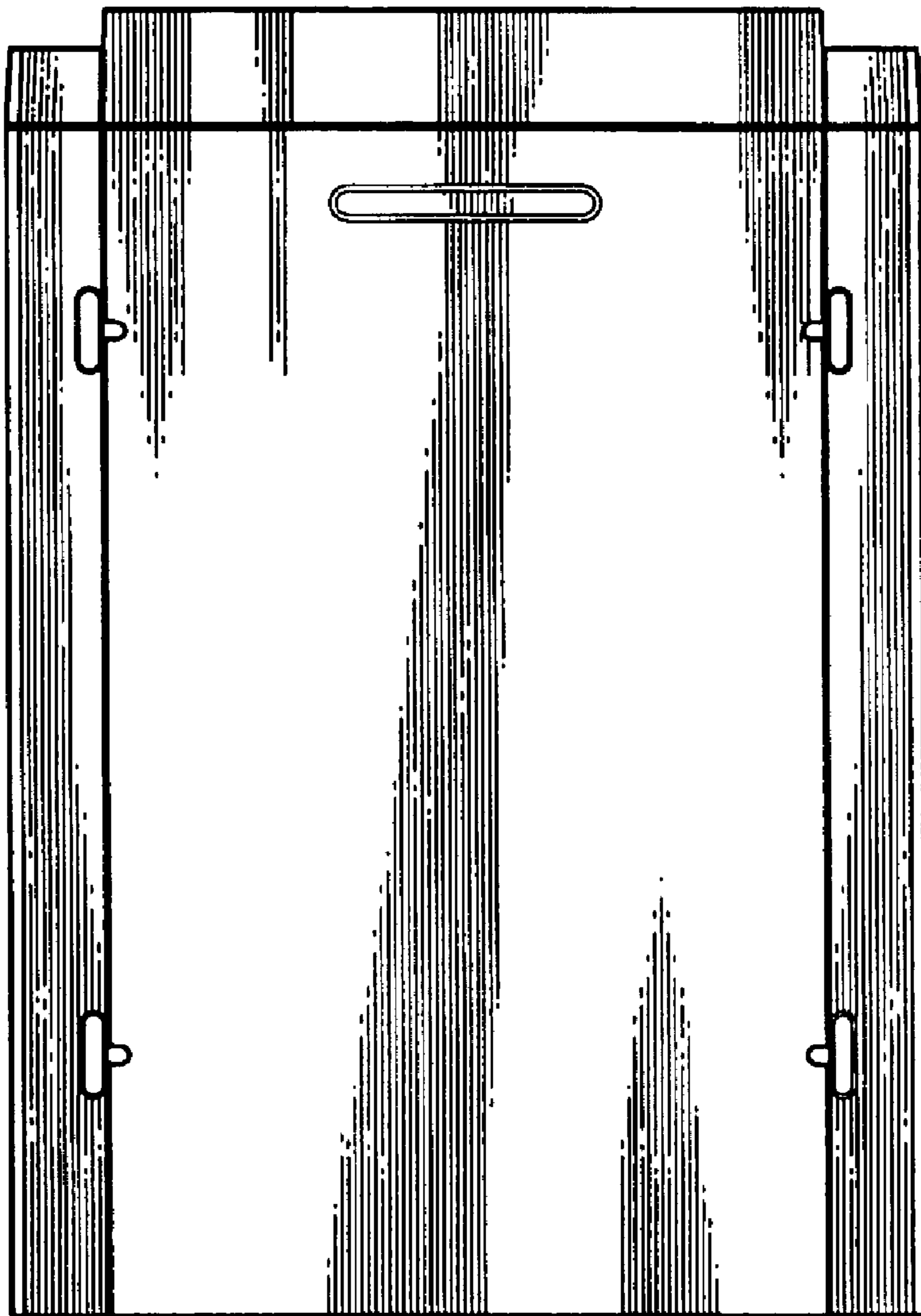


FIG. 7



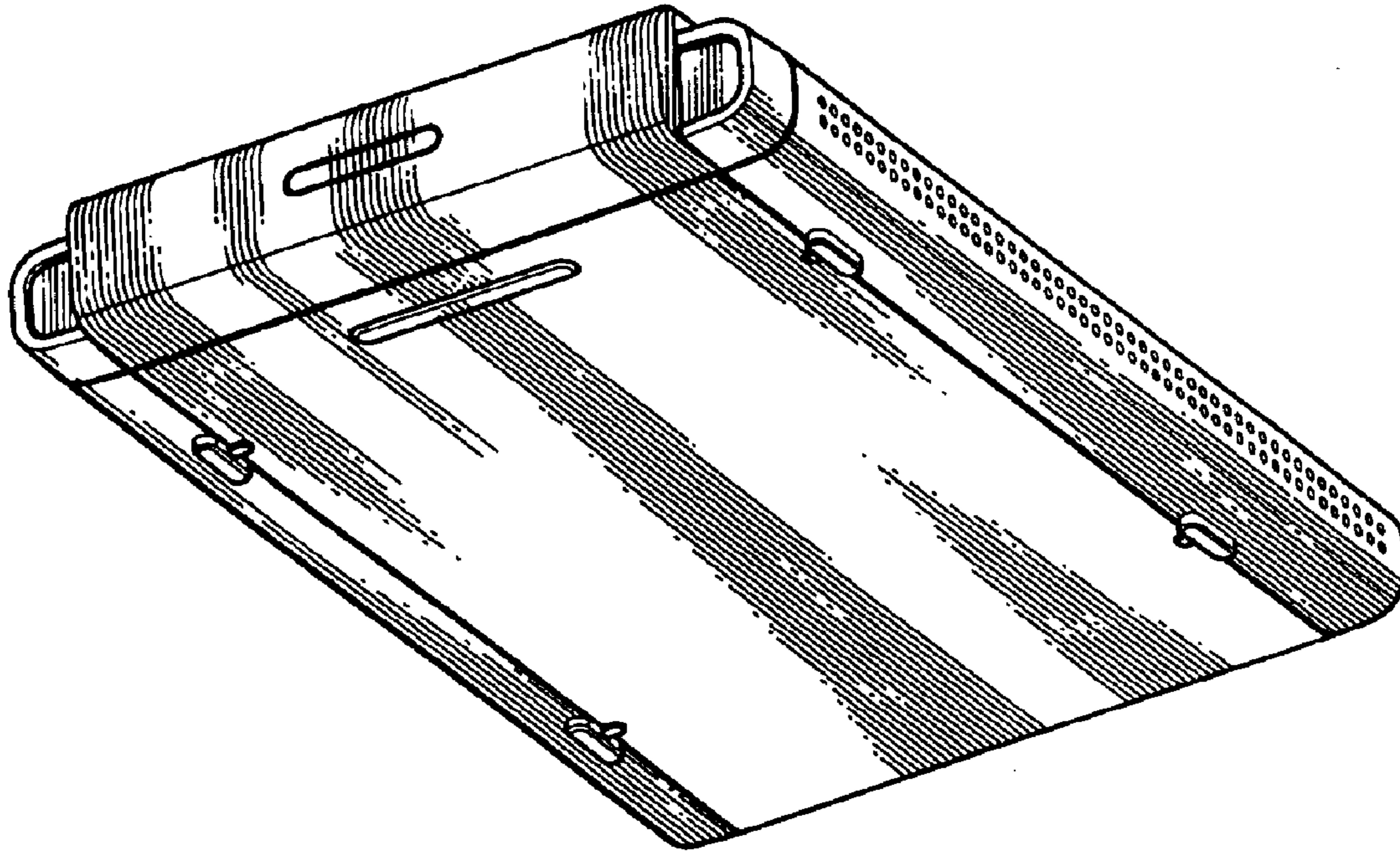


FIG. 8