



US00D510727S

(12) **United States Design Patent**  
**Pang**

(10) **Patent No.:** **US D510,727 S**  
(45) **Date of Patent:** **\*\* Oct. 18, 2005**

(54) **KIT FOR AN INSERTING CLAMP WITH CORD PROTECTOR**

6,429,378 B2 \* 8/2002 Shak ..... 174/135

\* cited by examiner

(76) Inventor: **Wing On Pang**, 5c/ 5/f Fu Ning Garden, Hong Kong (CN)

*Primary Examiner*—Alan P. Douglas  
(74) *Attorney, Agent, or Firm*—Richard C. Litman

(\*\*) Term: **14 Years**

(57) **CLAIM**

(21) Appl. No.: **29/193,438**

The ornamental design for a kit for an inserting clamp with cord protector, as shown and described.

(22) Filed: **Nov. 12, 2003**

**DESCRIPTION**

(30) **Foreign Application Priority Data**

Jun. 2, 2003 (HK) ..... 0310825.5

(51) **LOC (8) Cl.** ..... **13-03**

(52) **U.S. Cl.** ..... **D13/153**

(58) **Field of Search** ..... D13/152–155;  
174/36, 71, 68, 83, 99, 135, 136; 29/825,  
869; 138/128, 166

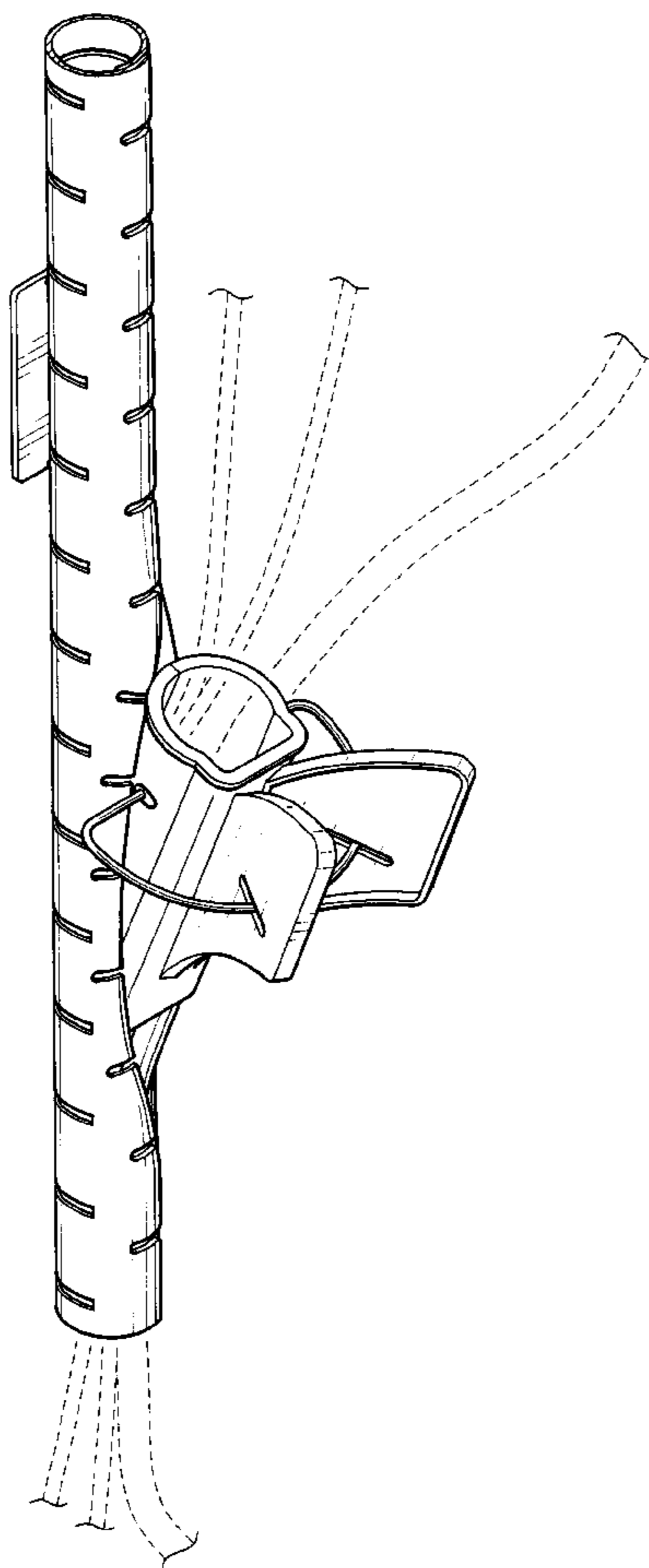
FIG. 1 is a front perspective view of a kit for an inserting clamp with cord protector showing my new design; FIG. 2 is a front elevational view thereof; FIG. 3 is a rear elevational view thereof; FIG. 4 is a top view thereof; FIG. 5 is a bottom view thereof; FIG. 6 is a left side elevational view thereof; and, FIG. 7 is an environmental perspective of the kit for an inserting clamp with cord protector while in use. The broken line showing of wires in FIG. 7 is for illustrative purposes only and forms no part of the claimed design.

(56) **References Cited**

**U.S. PATENT DOCUMENTS**

4,384,167 A \* 5/1983 Nestor ..... 174/71 R  
D439,564 S \* 3/2001 Huang ..... D13/153

**1 Claim, 7 Drawing Sheets**



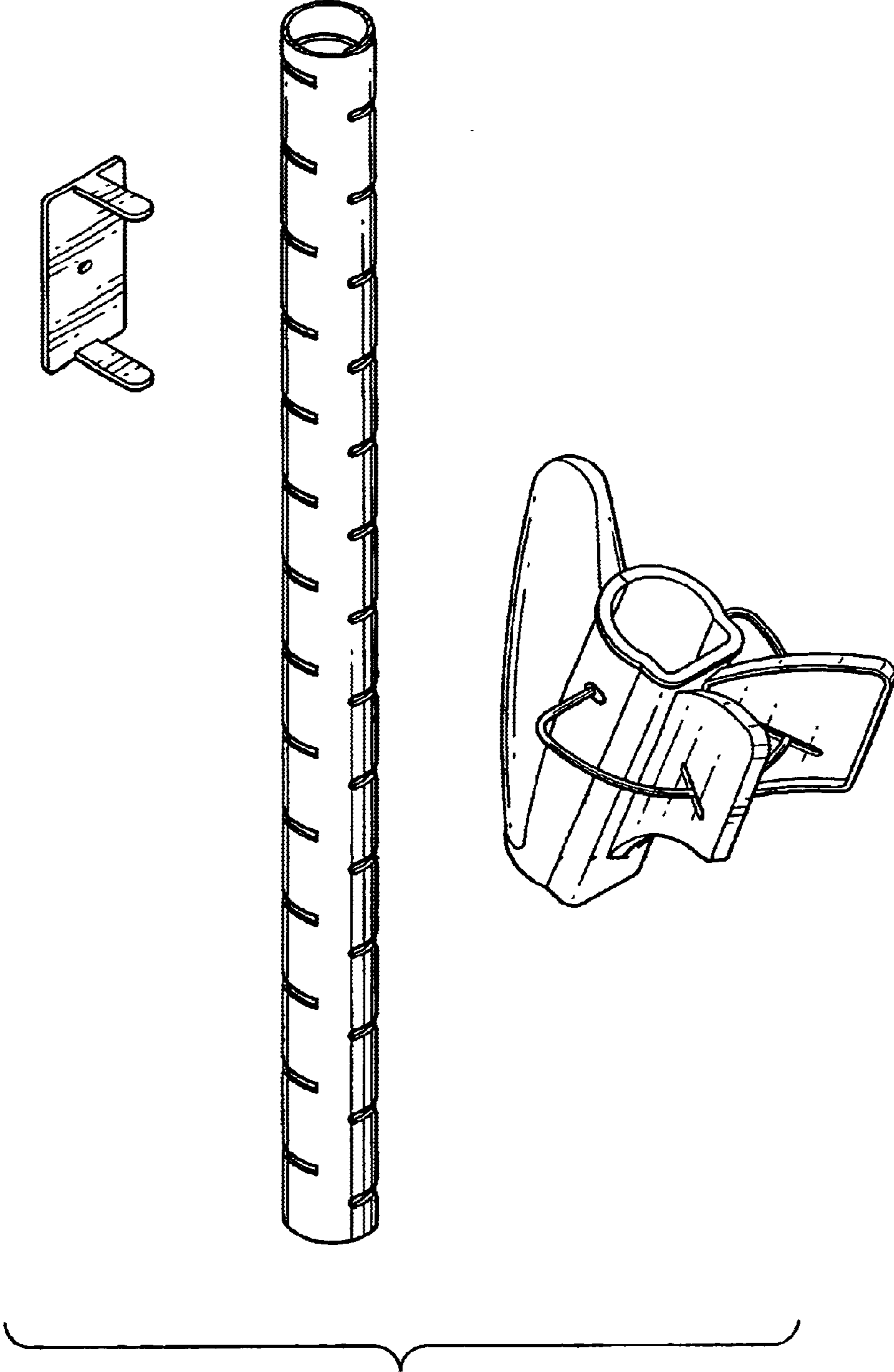


FIG. 1

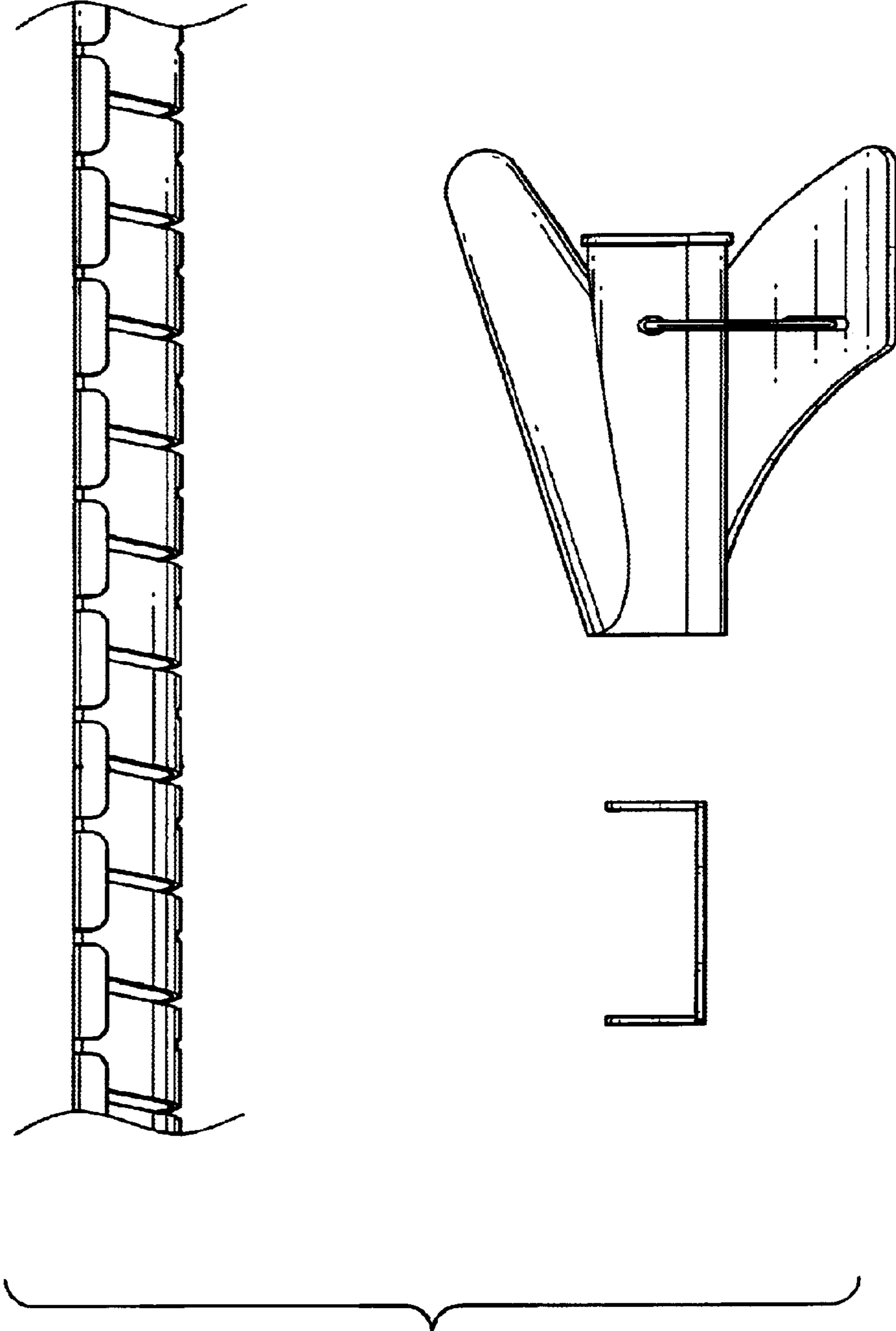


FIG. 2

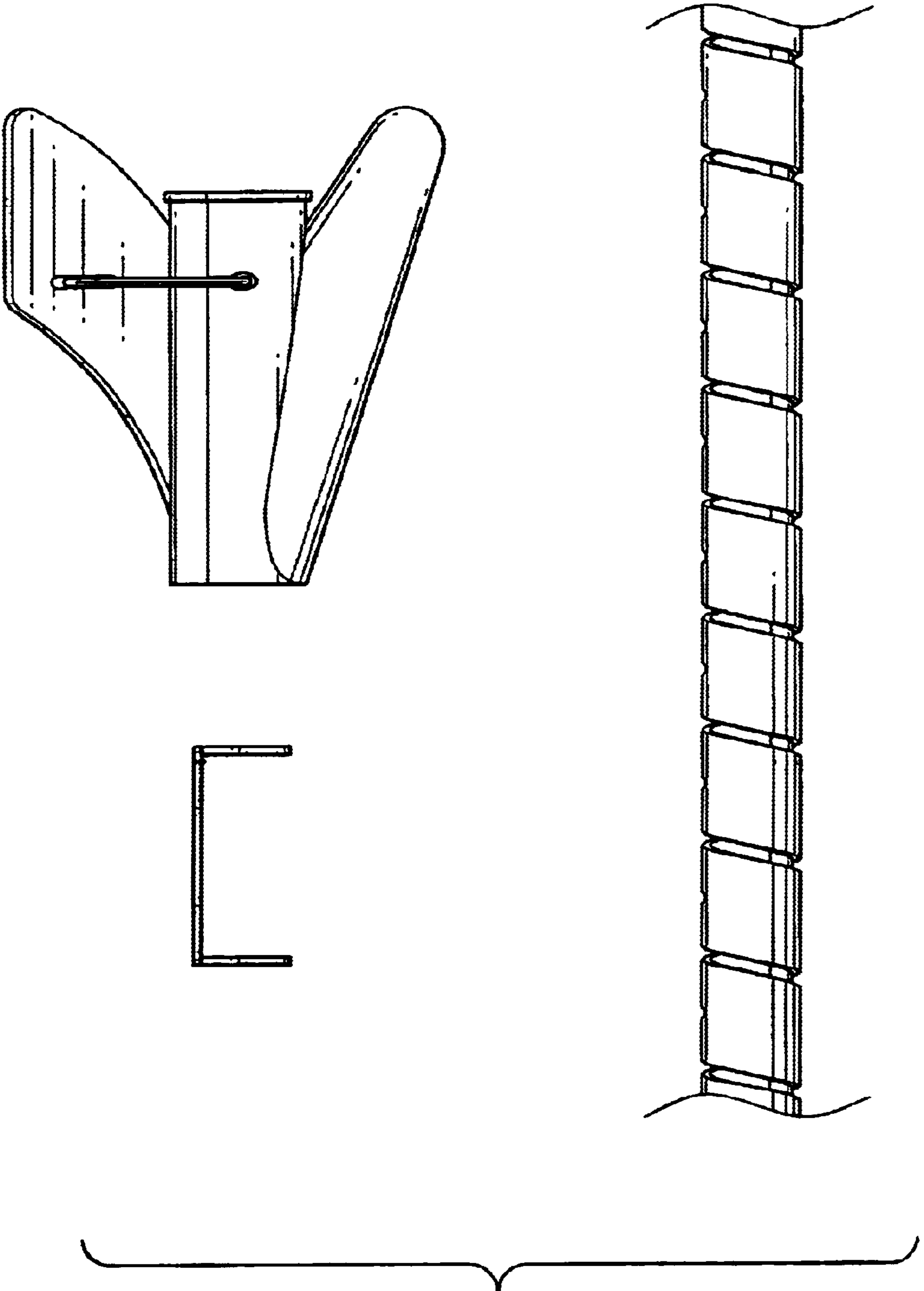


FIG. 3

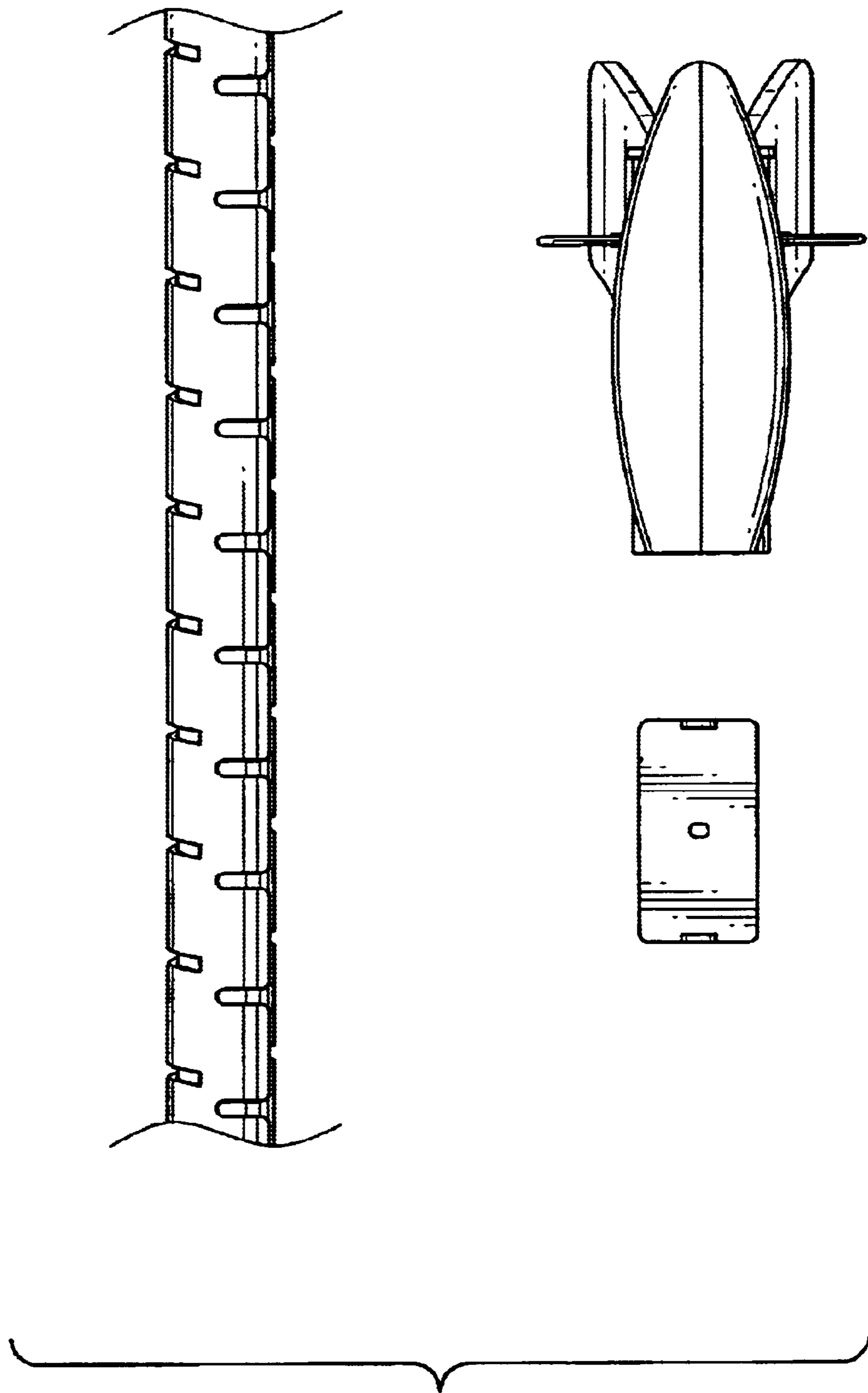
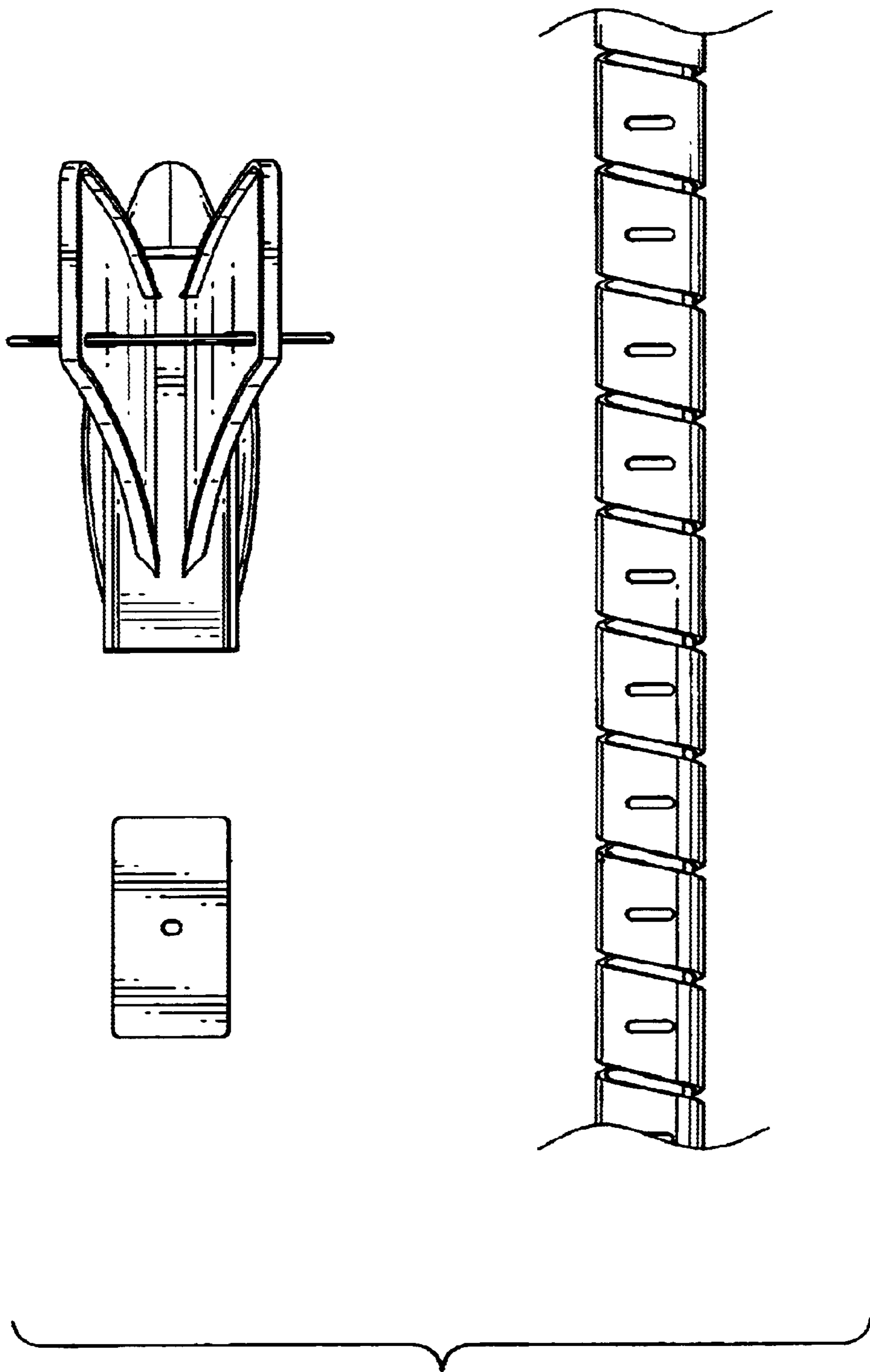


FIG. 4



*FIG. 5*

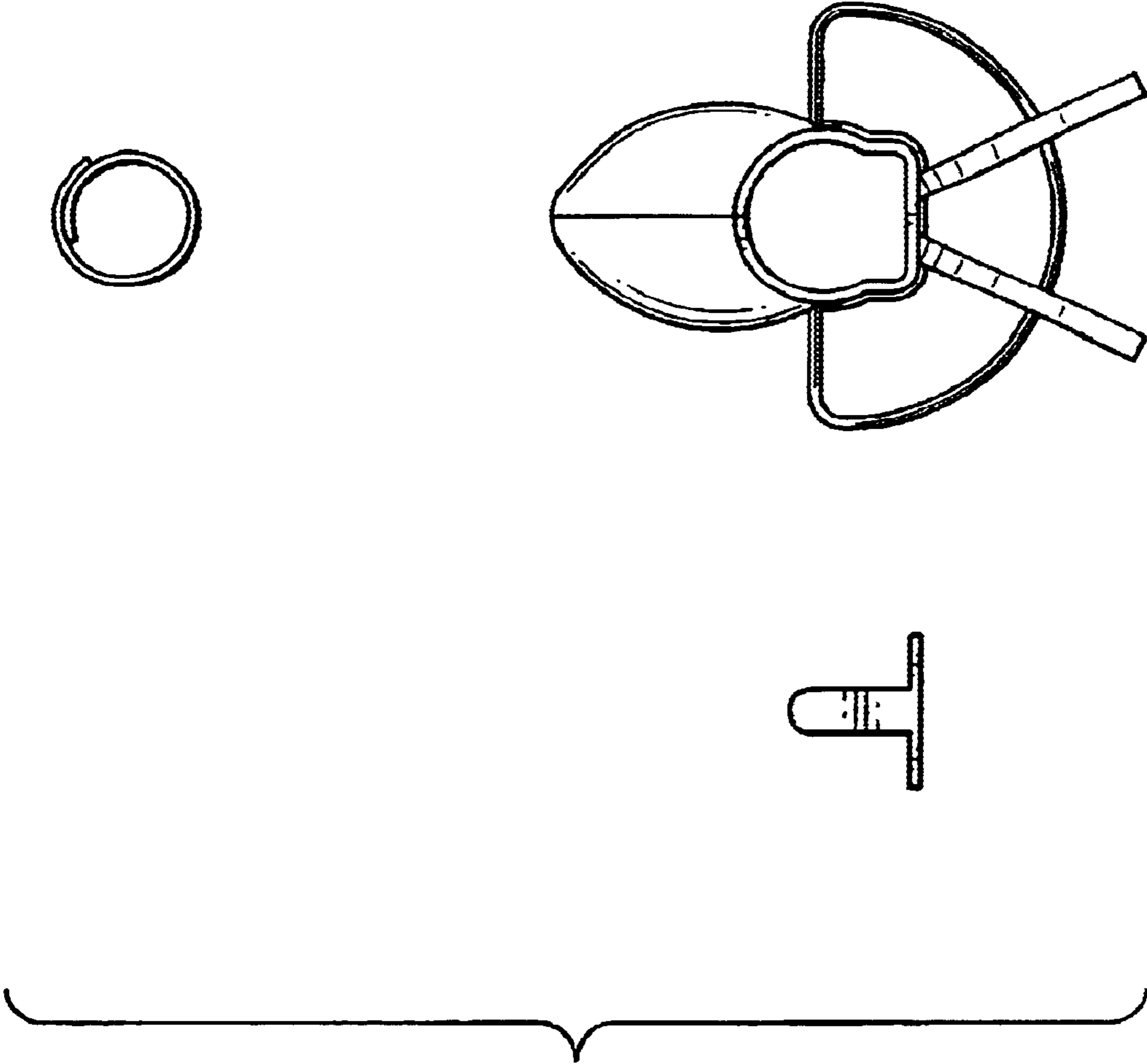


FIG. 6

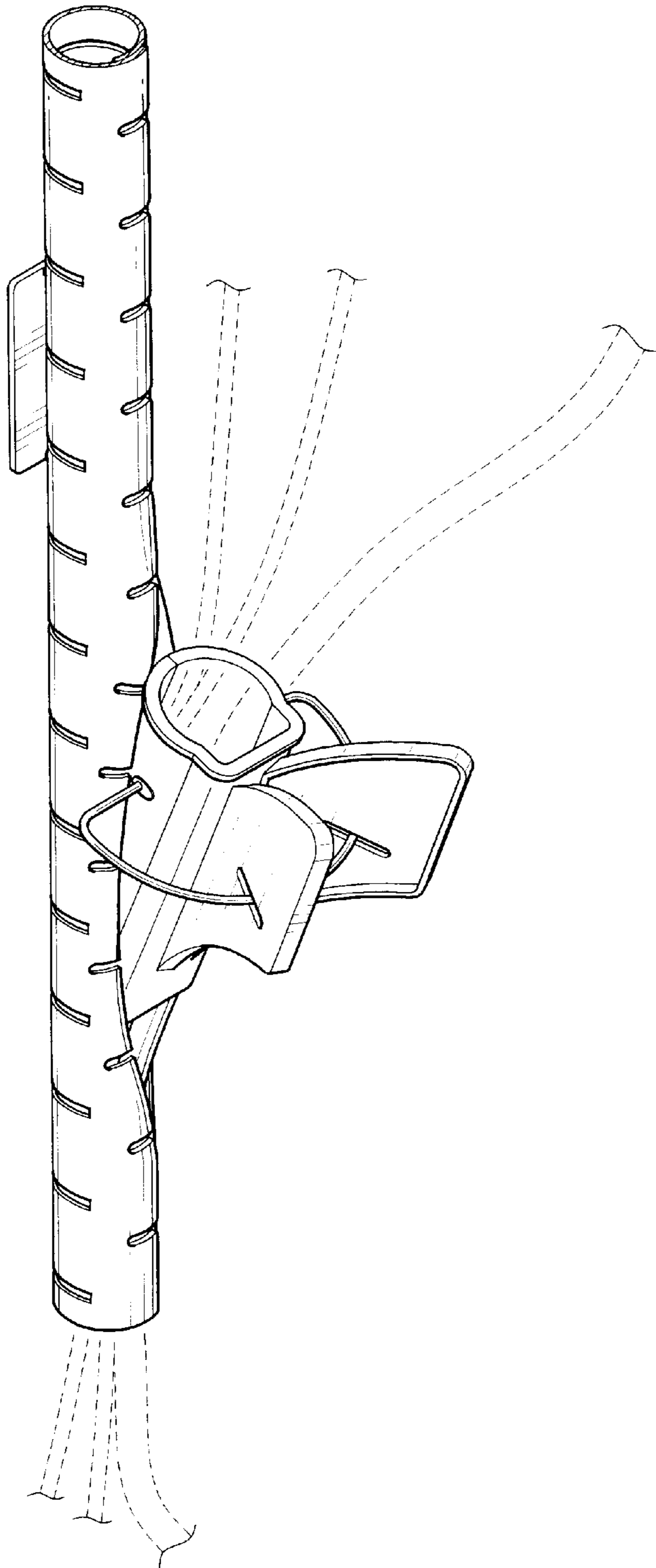


FIG. 7