



US00D510726S

(12) **United States Design Patent**
Shimizu et al.

(10) **Patent No.:** **US D510,726 S**
(45) **Date of Patent:** **** Oct. 18, 2005**

(54) **HOUSING FOR ELECTRICAL CONNECTOR**

(75) Inventors: **Kazuomi Shimizu**, Aichi (JP); **Akihiko Onchi**, Aichi (JP); **Daisuke Miyachi**, Aichi (JP)

(73) Assignee: **J.S.T. Mfg. Co., Ltd.**, Osaka (JP)

(**) Term: **14 Years**

(21) Appl. No.: **29/213,865**

(22) Filed: **Sep. 24, 2004**

(30) **Foreign Application Priority Data**

Mar. 26, 2004 (JP) 2004-009143

(51) **LOC (8) Cl.** **13-03**

(52) **U.S. Cl.** **D13/147**

(58) **Field of Search** D13/146-147,
D13/199; 439/62, 260, 325, 329, 395, 422,
492, 495, 499, 607

(56) **References Cited**

U.S. PATENT DOCUMENTS

- 5,575,673 A * 11/1996 Dahlem et al. 439/248
- D455,717 S * 4/2002 Hayashi et al. D13/147
- D466,481 S * 12/2002 Wu D13/147
- D467,549 S * 12/2002 Wu D13/147
- D482,327 S * 11/2003 Saito et al. D13/147
- D497,343 S * 10/2004 Busse et al. D13/147
- D497,344 S * 10/2004 Huang D13/147
- D502,922 S * 3/2005 Cheng et al. D13/147
- 2005/0020125 A1 * 1/2005 Huang 439/495

FOREIGN PATENT DOCUMENTS

JP D1107277 S 4/2001

- JP D1107536 S 4/2001
- JP D1107537 S 4/2001
- JP D1109447 S 5/2001
- JP D1109449 S 5/2001
- JP D1109459 S 5/2001
- JP D1154672 S 9/2002
- JP D1154816 S 9/2002
- JP D1154817 S 9/2002
- JP D1154818 S 9/2002
- JP D1159637 S 12/2002
- JP D1154671 S 9/2003

OTHER PUBLICATIONS

Catalog, "Connectors Catalog/SHL Connector," vol. 111, pp. 10-11, JST Mfg. Co., Ltd. (Nov. 2002).

* cited by examiner

Primary Examiner—Stella Reid

Assistant Examiner—Daniel Bui

(74) *Attorney, Agent, or Firm*—Rader, Fishman & Grauer PLLC

(57) **CLAIM**

The ornamental design for a housing for electrical connector, as shown.

DESCRIPTION

FIG. 1 is a perspective view of a housing for electrical connector showing our new design; FIG. 2 is a front elevational view thereof; FIG. 3 is a rear elevational view thereof; FIG. 4 is a top plan view thereof; FIG. 5 is a bottom plan view thereof; FIG. 6 is a right side elevational view thereof; and, FIG. 7 is a left side elevational view thereof.

1 Claim, 4 Drawing Sheets

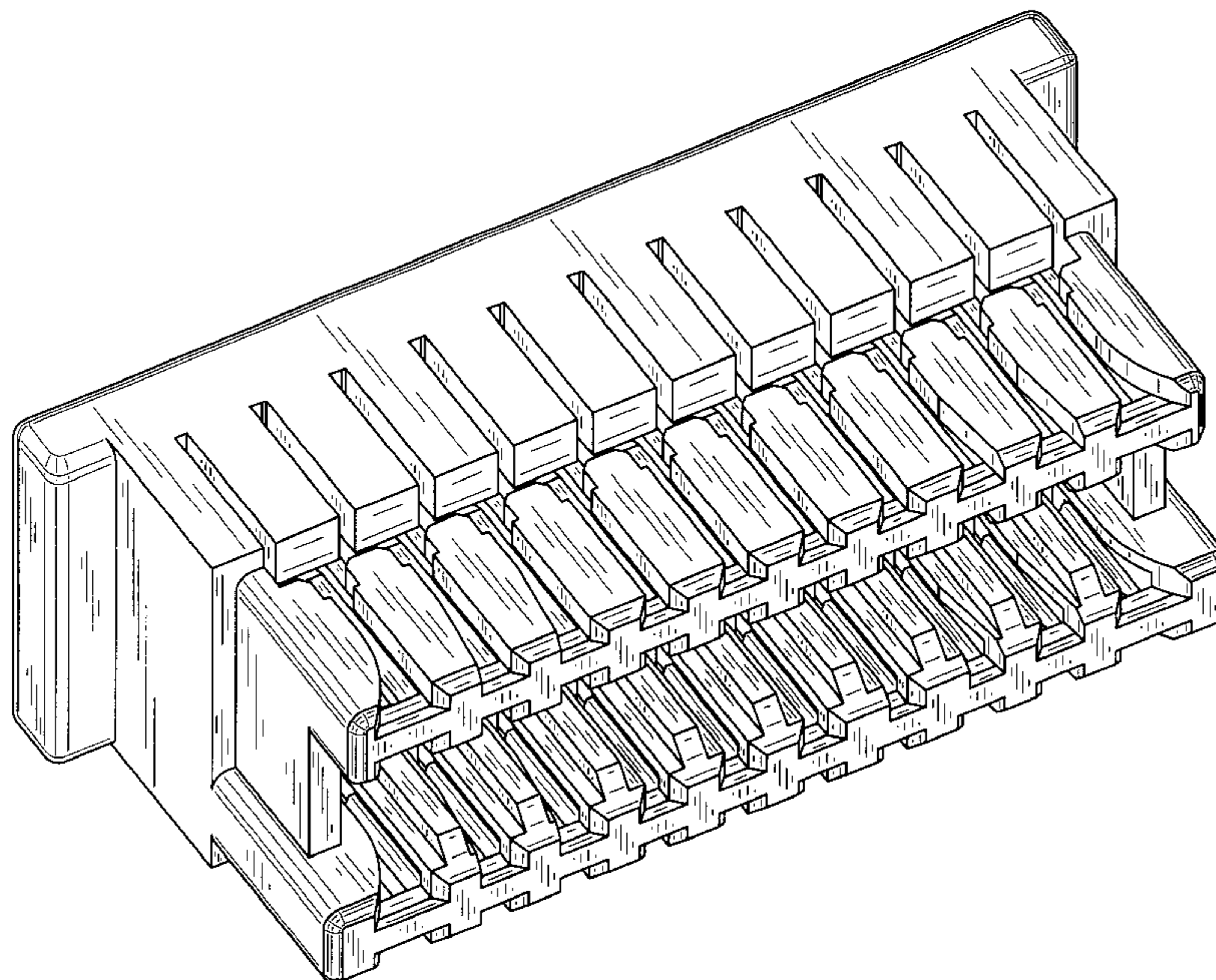


Fig.1

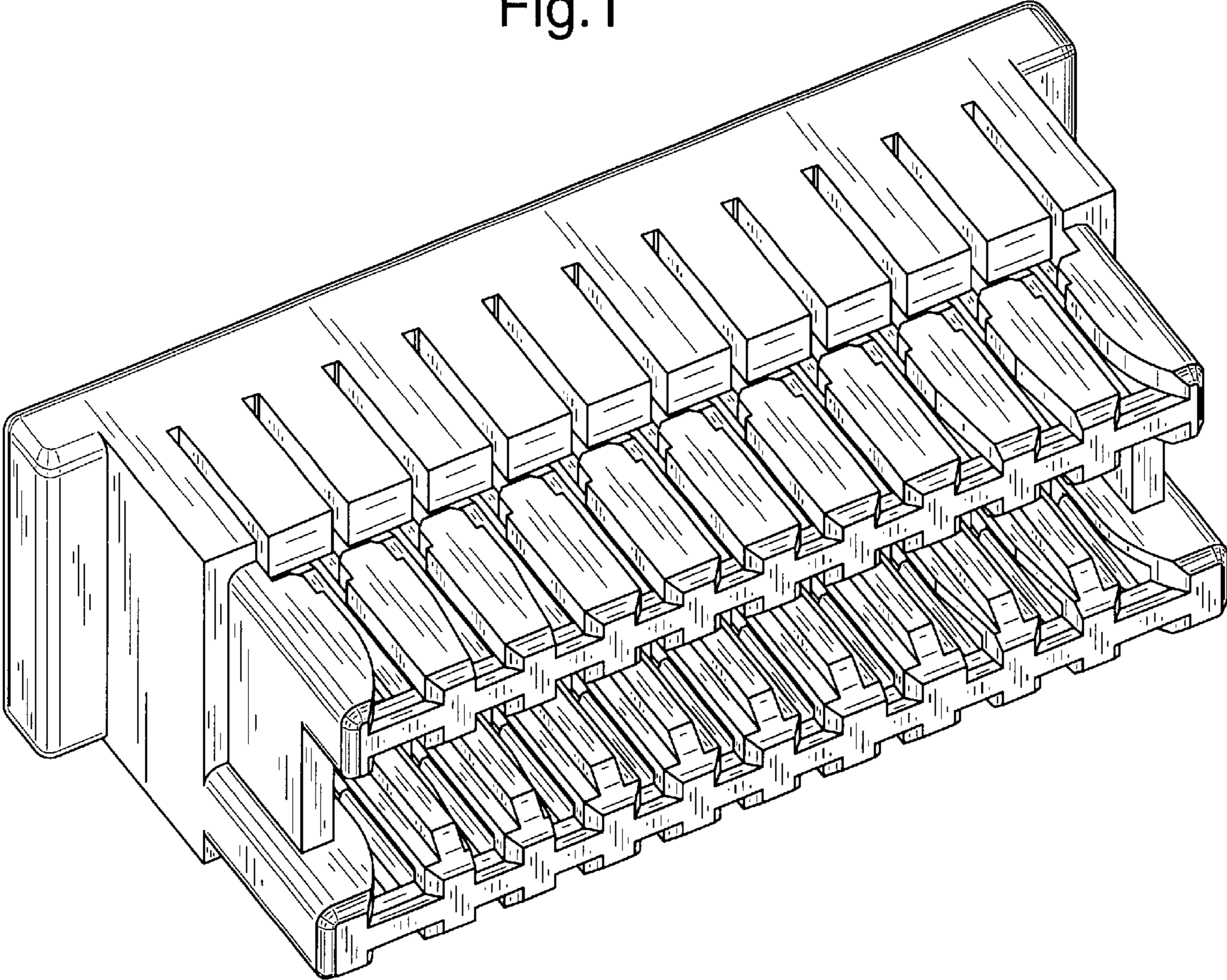


Fig.2

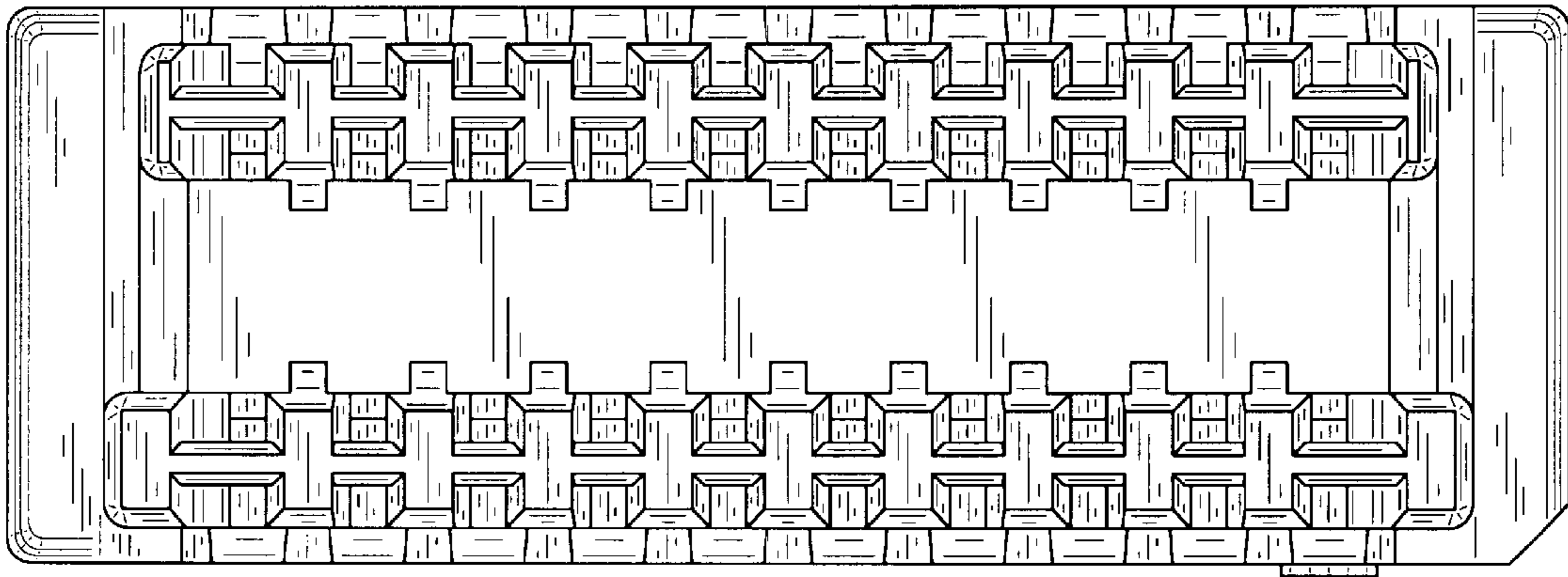


Fig.3

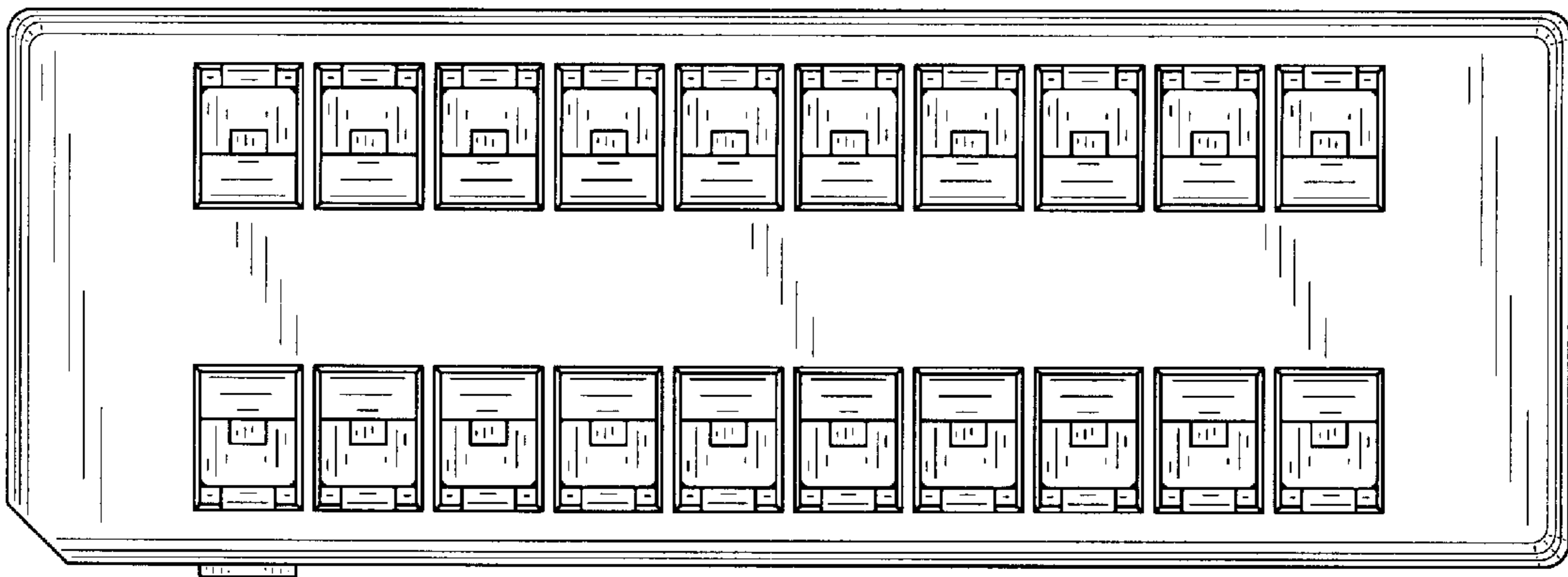


Fig.4

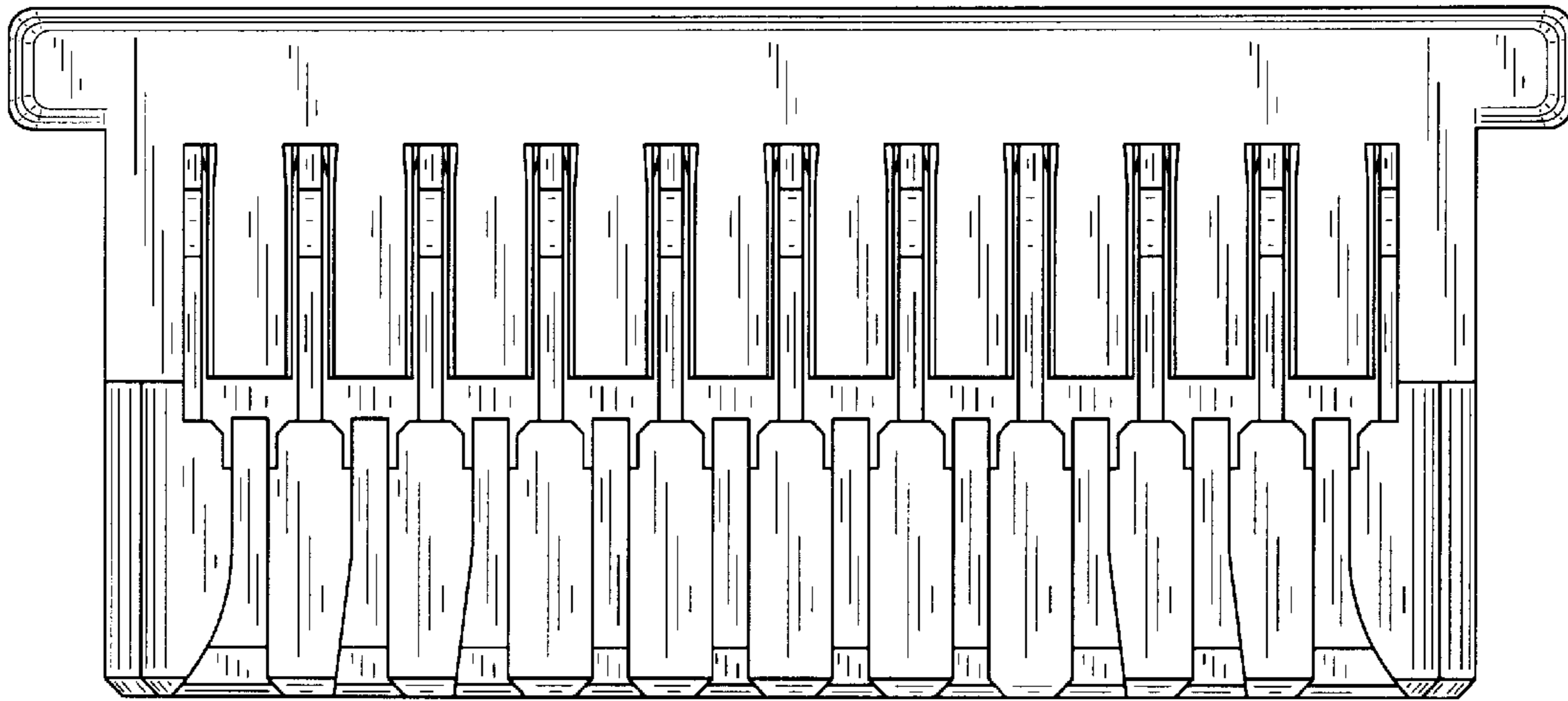


Fig.5

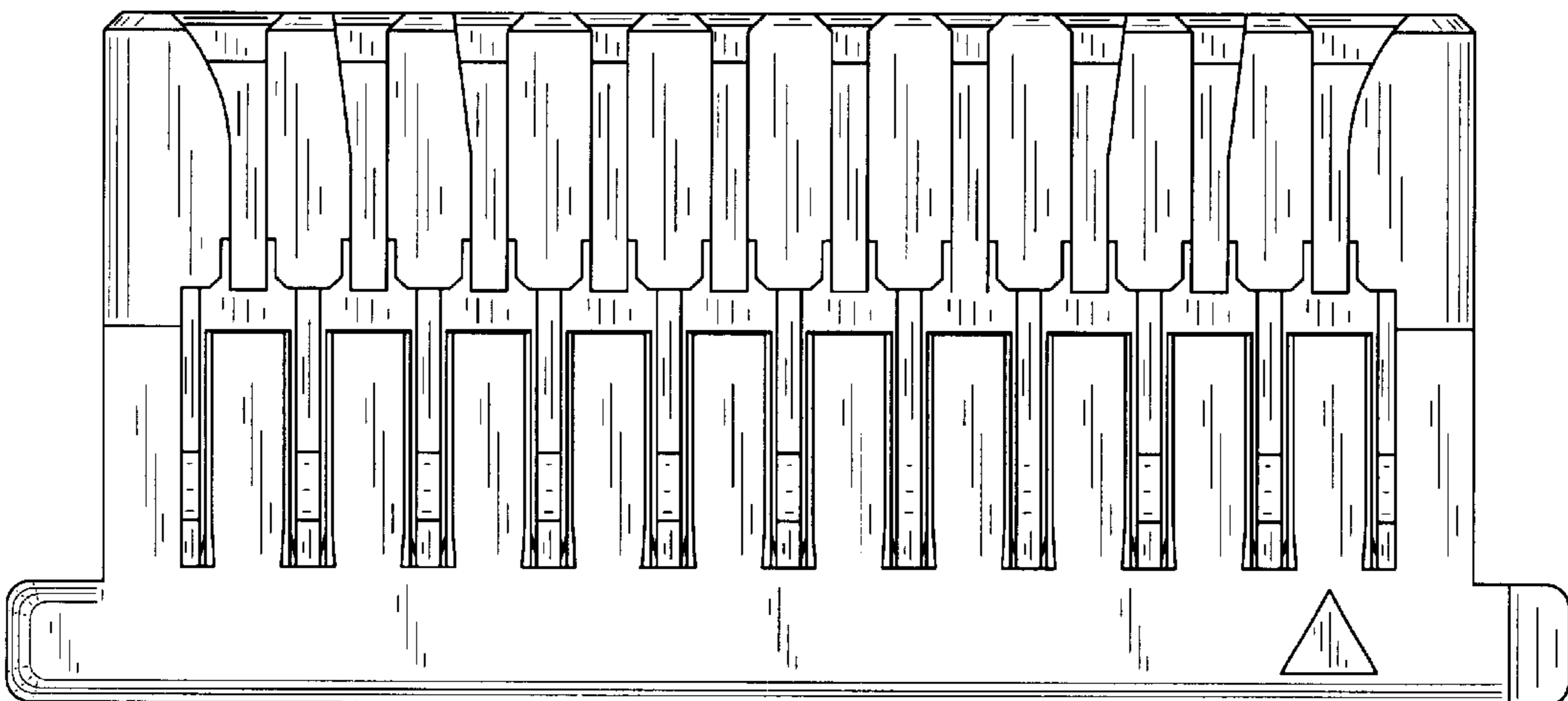


Fig.6

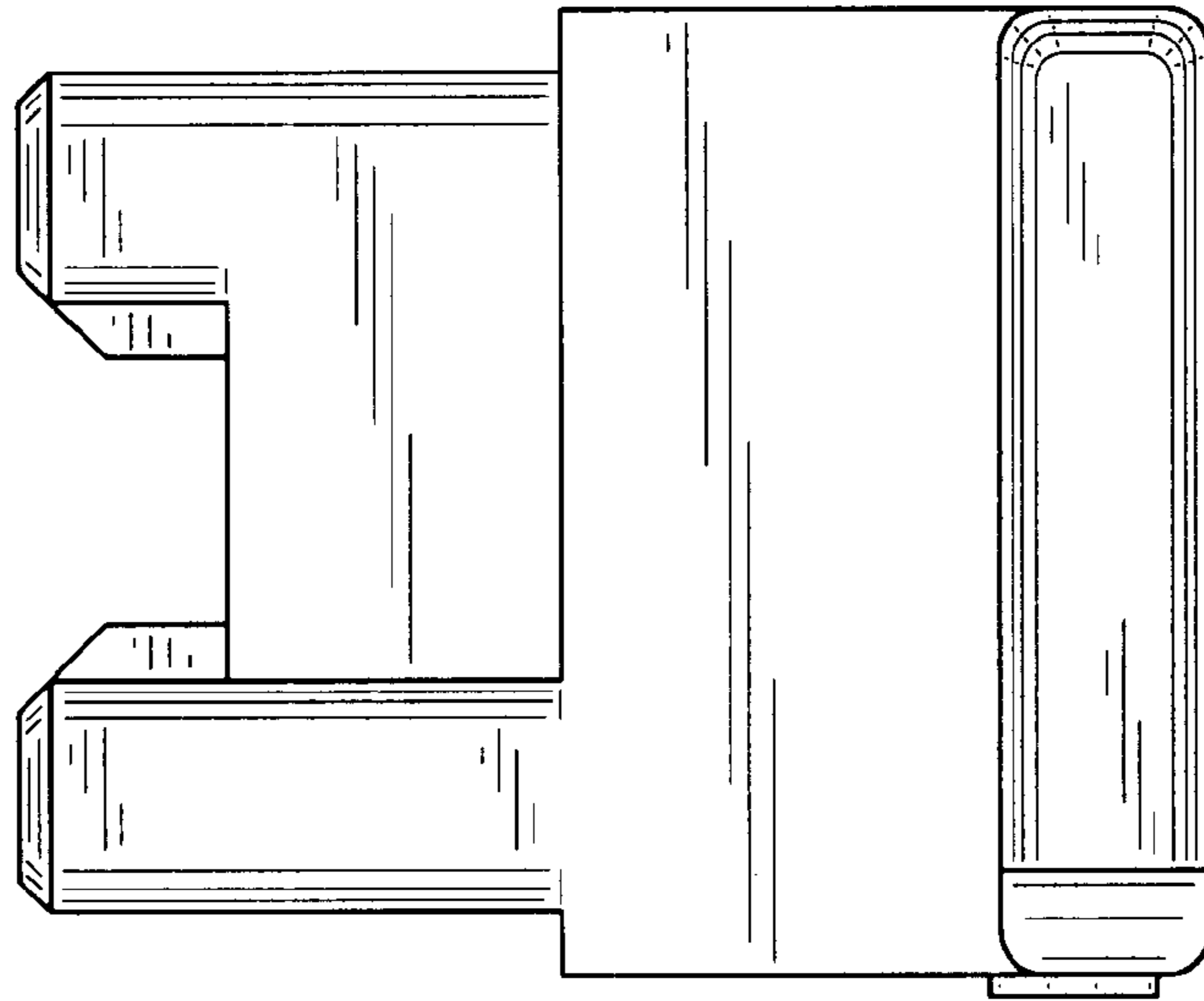


Fig.7

