

US00D510720S

(12) **United States Design Patent**
Kruse

(10) **Patent No.:** **US D510,720 S**

(45) **Date of Patent:** **** Oct. 18, 2005**

(54) **MARINE ENGINE COVER**

(76) **Inventor:** **Tom Kruse**, 33875 Calle Acordarse,
San Juan Capistrano, CA (US) 92675

(**) **Term:** **14 Years**

(21) **Appl. No.:** **29/216,241**

(22) **Filed:** **Oct. 29, 2004**

(51) **LOC (8) Cl.** **12-06**

(52) **U.S. Cl.** **D12/317**

(58) **Field of Search** D12/300-317;
D15/5; 114/268; 440/76, 78, 88

(56) **References Cited**

U.S. PATENT DOCUMENTS

D221,699 S	*	8/1971	Milne	D12/317
D221,700 S	*	8/1971	Milne	D12/317
D349,482 S	*	8/1994	Kobelt	D12/317
D396,478 S	*	7/1998	Hubbach	D15/5
D417,183 S	*	11/1999	Rogers-Smith	D12/317
6,733,351 B2	*	5/2004	Mashiko	440/88 A
D490,818 S	*	6/2004	Hieke	D15/5

* cited by examiner

Primary Examiner—Holly Baynham

Assistant Examiner—Cynthia M. Chin

(74) *Attorney, Agent, or Firm*—Drummond & Duckworth

(57) **CLAIM**

The ornamental design for a marine engine cover, as shown and described.

DESCRIPTION

FIG. 1 is a perspective view illustrating the marine engine cover of my design shown installed atop a marine engine;

FIG. 2 is a top plan view thereof;

FIG. 3 is a bottom plan view thereof;

FIG. 4 is a left elevation view thereof;

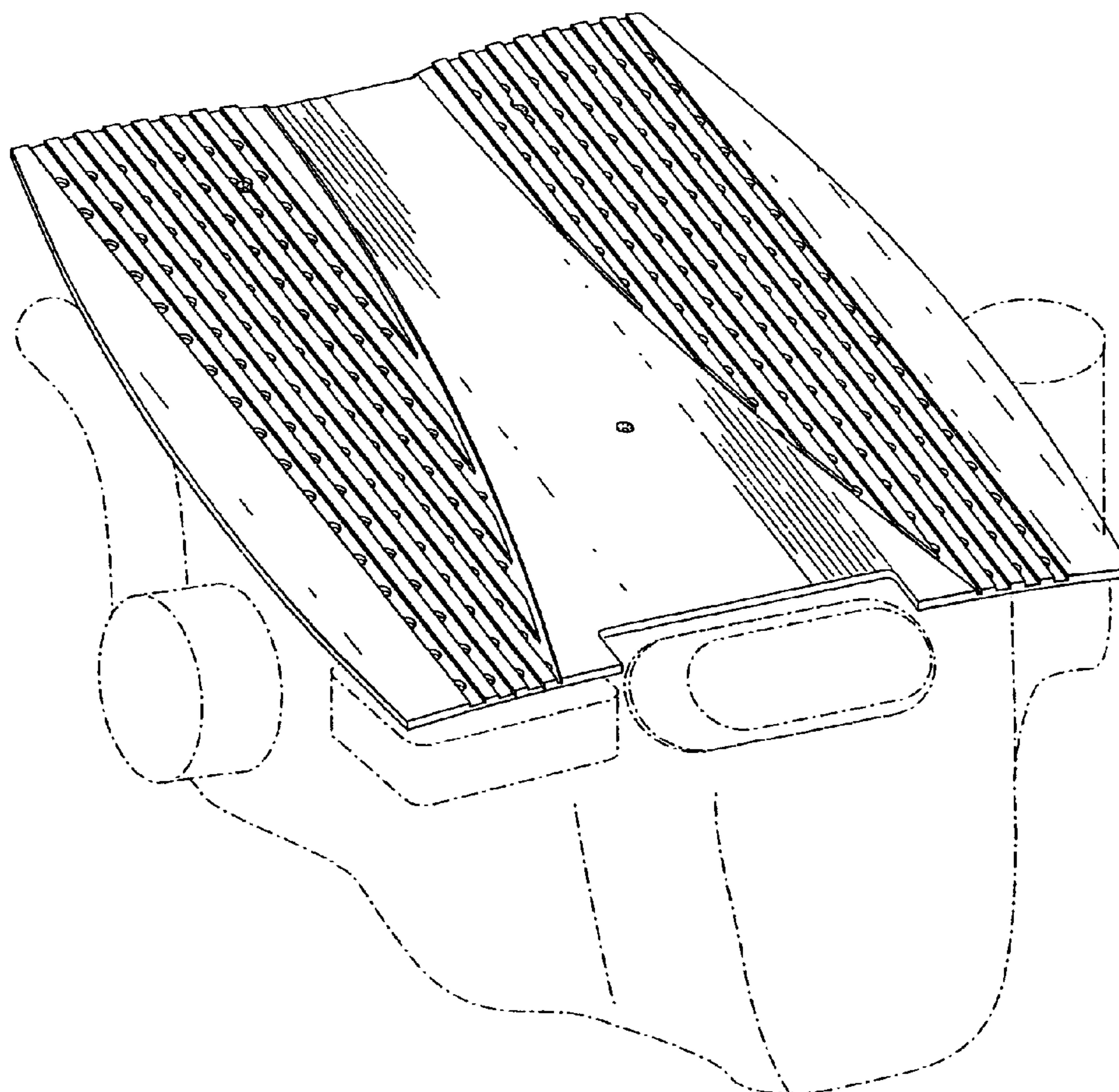
FIG. 5 is a right elevation view thereof;

FIG. 6 is a rear elevation view thereof; and,

FIG. 7 is a front elevation view thereof.

The broken lines are for illustrative purposes only and form no part of the claimed design.

1 Claim, 4 Drawing Sheets



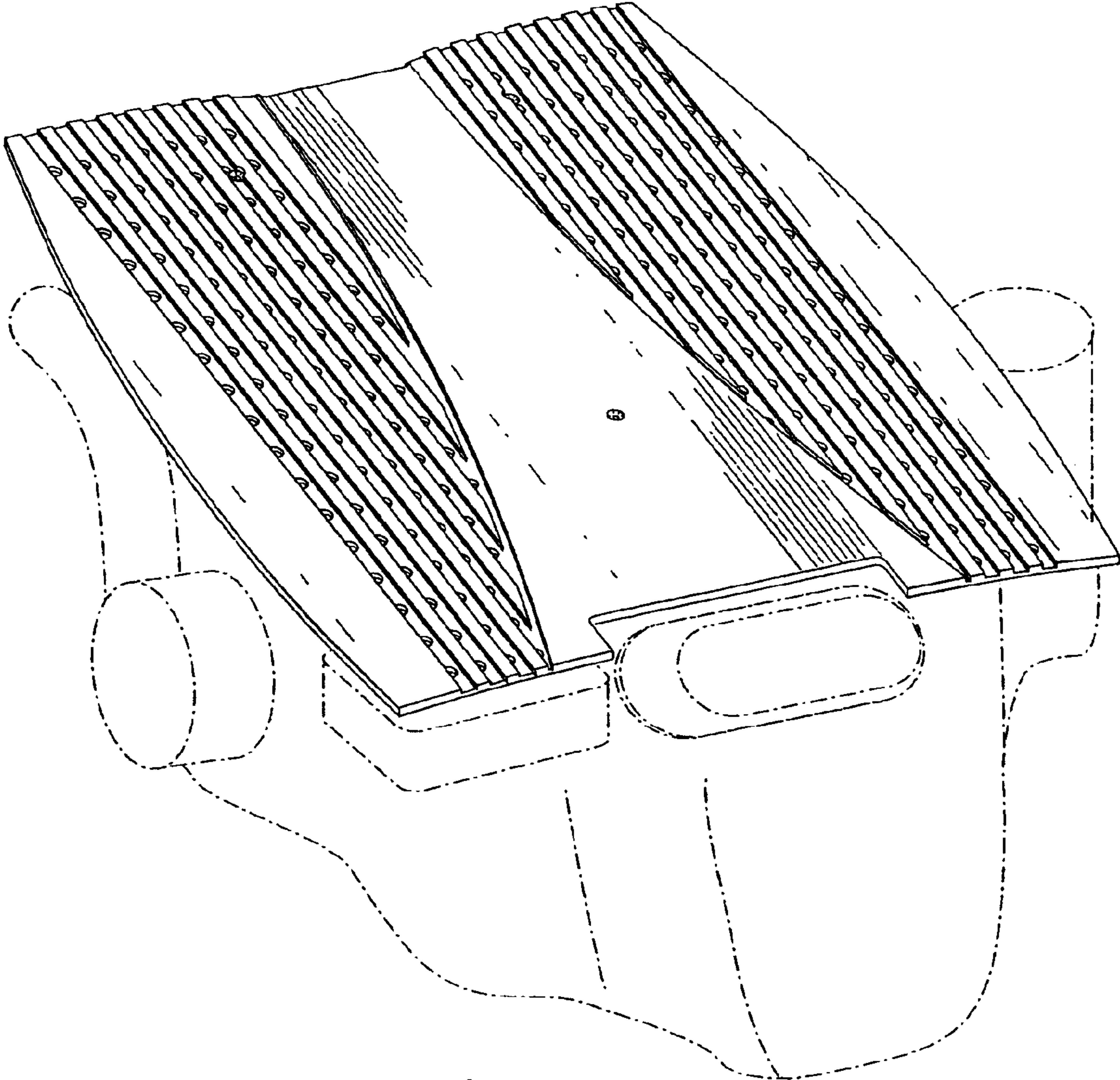


Fig. 1

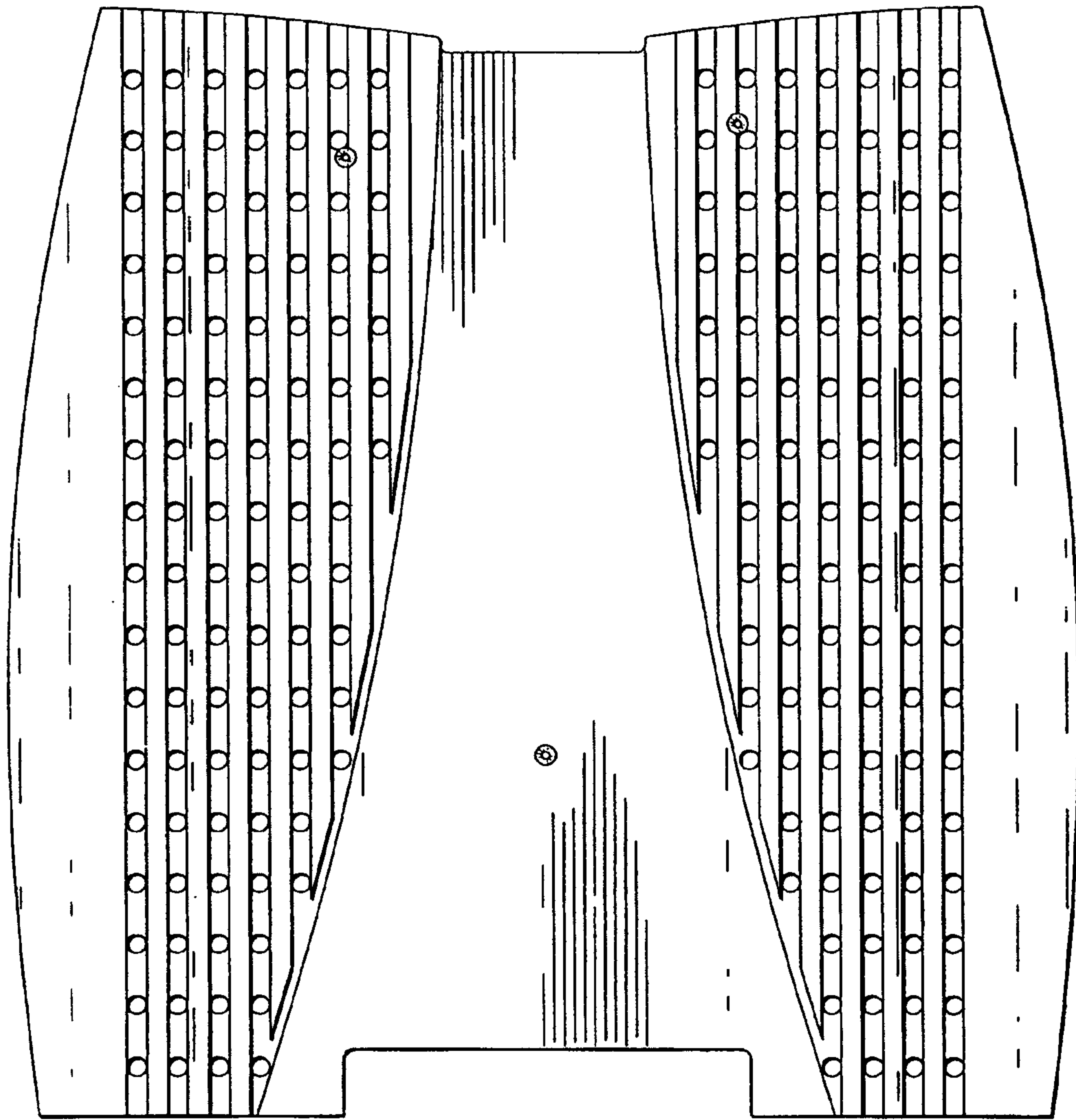


Fig. 2

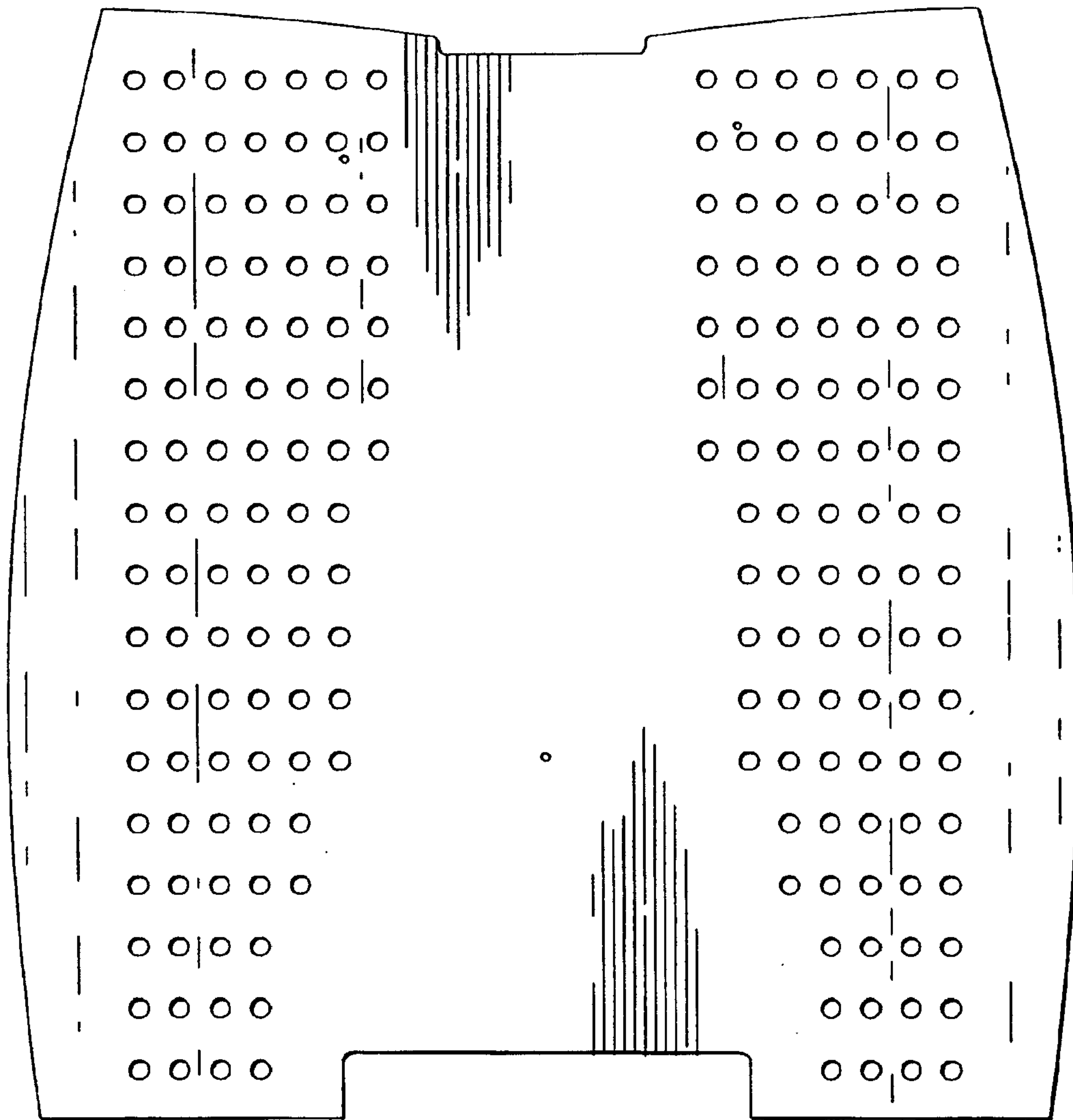


Fig. 3



Fig. 4



Fig. 5

Fig. 6

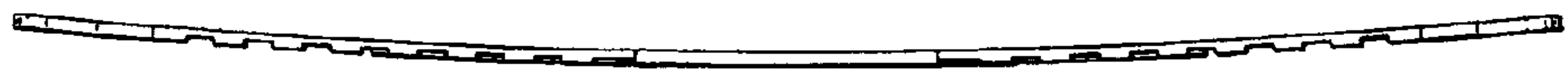


Fig. 7

