



US00D510719S

(12) **United States Design Patent**  
**Noble**

(10) **Patent No.:** **US D510,719 S**

(45) **Date of Patent:** **\*\* Oct. 18, 2005**

(54) **WHEEL**

(76) **Inventor:** **Eric Noble**, The Carlab, 217 E.  
Chapman, Orange, CA (US) 92866

(\*\*) **Term:** **14 Years**

(21) **Appl. No.:** **29/207,514**

(22) **Filed:** **Jun. 15, 2004**

(51) **LOC (8) Cl.** ..... **12-16**

(52) **U.S. Cl.** ..... **D12/211**

(58) **Field of Search** ..... D12/204-213;  
301/37.101, 64.101, 65

D480,038 S	*	9/2003	Oh	.....	D12/211
D481,347 S	*	10/2003	Kang	.....	D12/211
D487,242 S	*	3/2004	Lecher et al.	.....	D12/211
D492,236 S	*	6/2004	Brown et al.	.....	D12/211
D493,405 S	*	7/2004	Boyer	.....	D12/211
D497,132 S	*	10/2004	Lee	.....	D12/209
D498,724 S	*	11/2004	Cahyono	.....	D12/209

\* cited by examiner

*Primary Examiner*—Stacia Cadmus

(74) *Attorney, Agent, or Firm*—Stetina Brunda Garred & Brucker

(57) **CLAIM**

The ornamental design for a wheel, as shown and described.

(56) **References Cited**

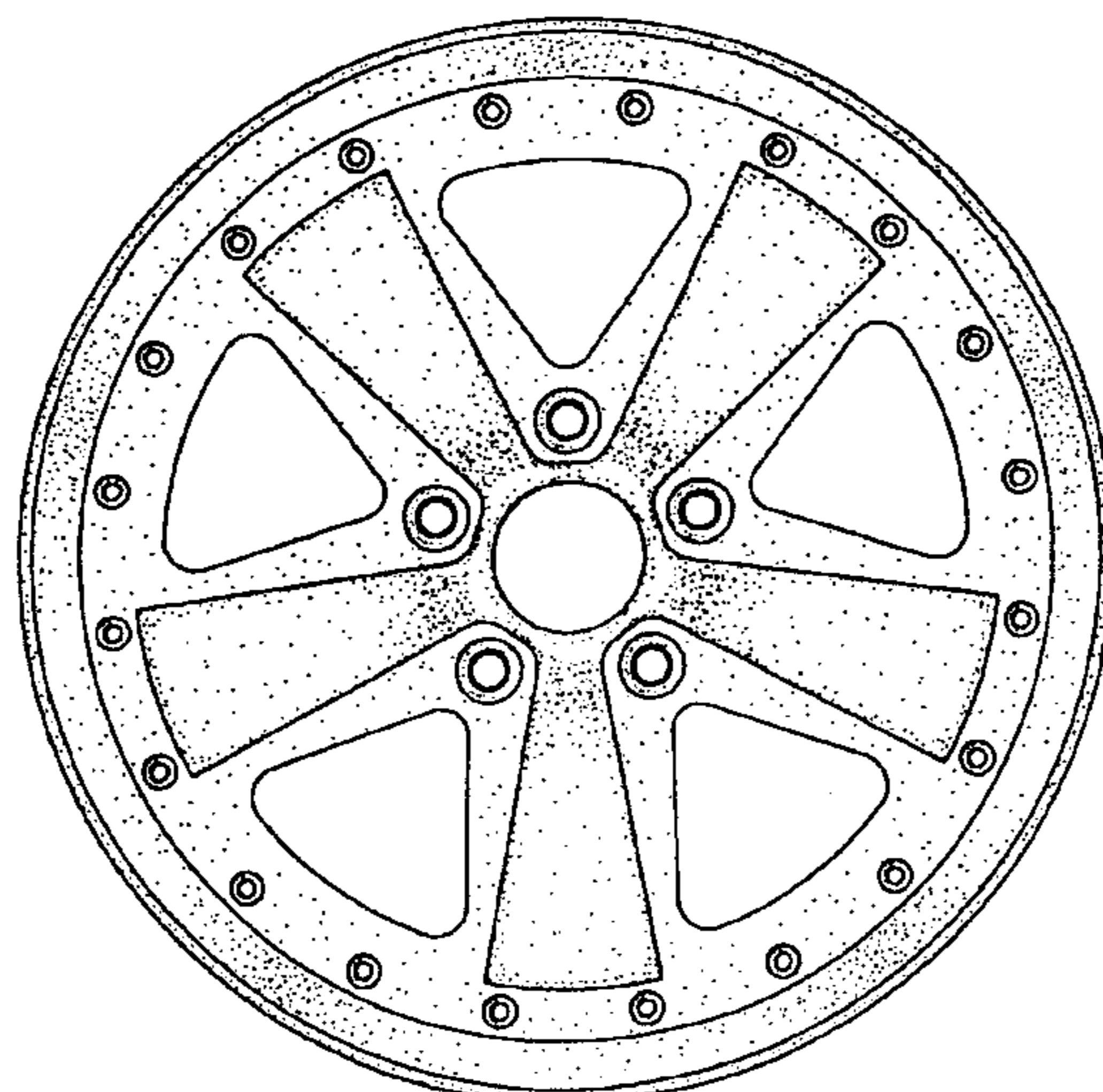
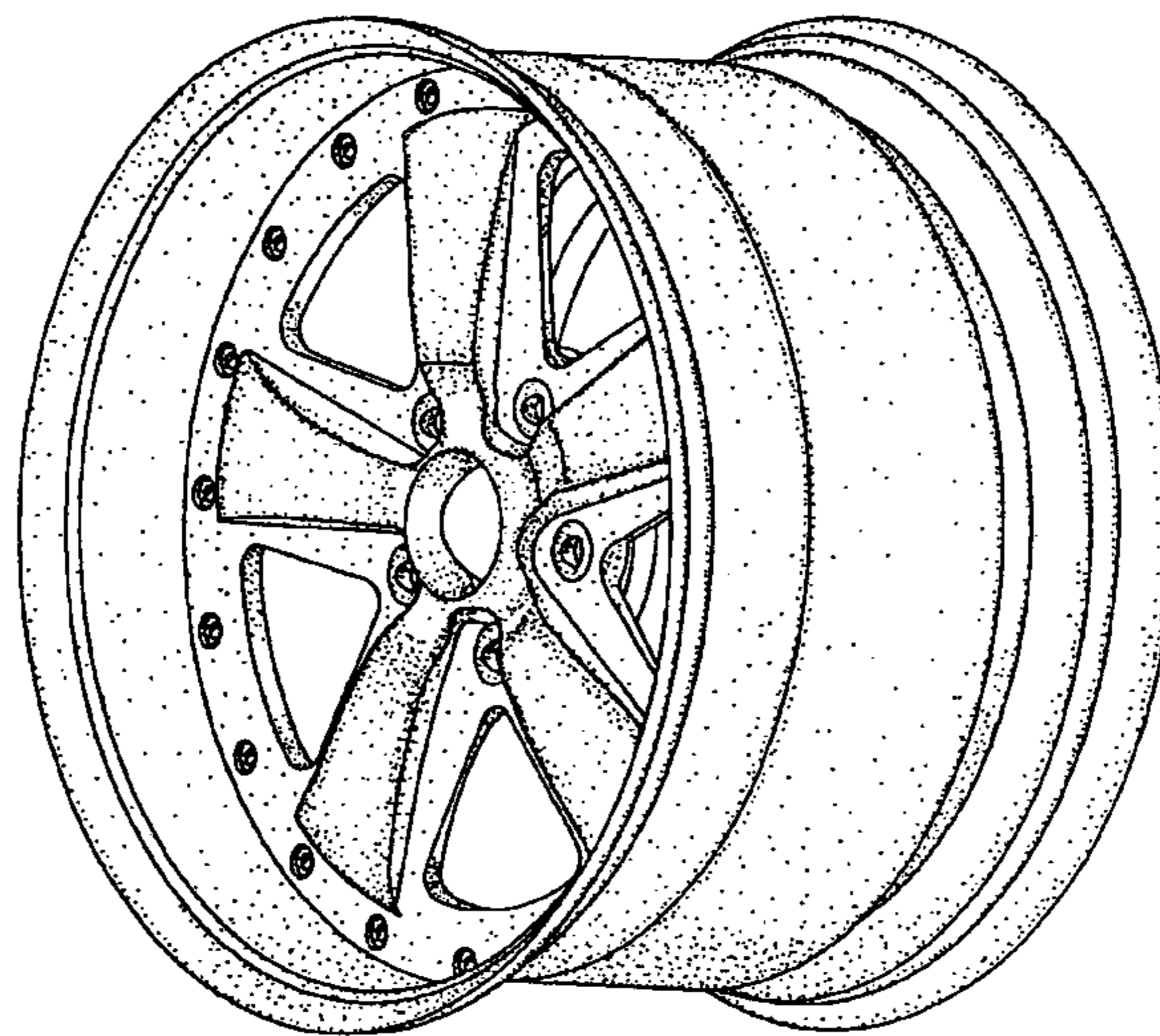
**U.S. PATENT DOCUMENTS**

D241,830 S	*	10/1976	Patch	.....	D12/211
D277,661 S	*	2/1985	Cafaro et al.	.....	D12/211
D445,752 S		7/2001	Lee		
D466,854 S		12/2002	Kern		
D467,215 S		12/2002	Kern		
D478,305 S		8/2003	Kern		

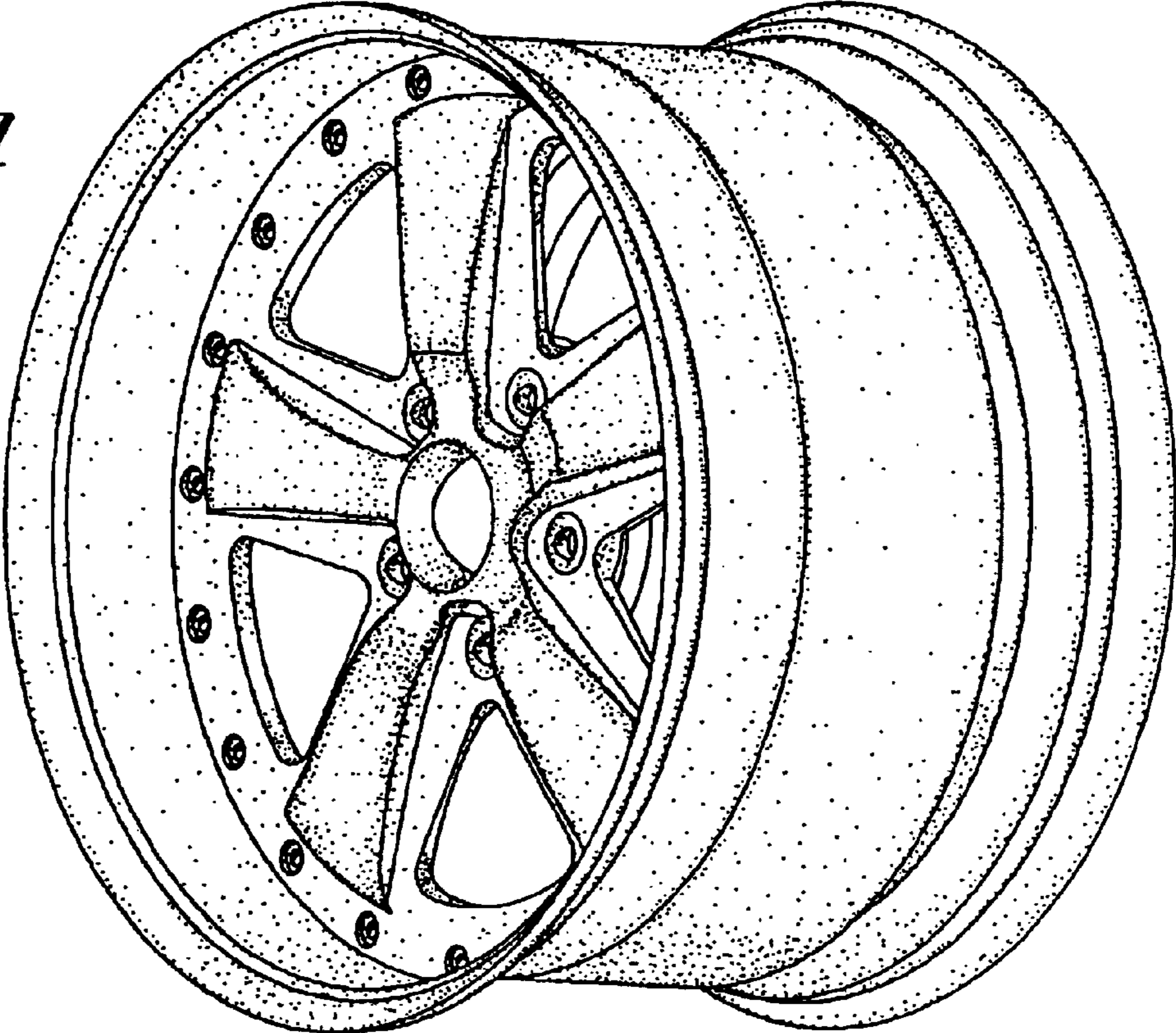
**DESCRIPTION**

FIG. 1 is a right side perspective view showing my new design for the wheel;  
FIG. 2 is a top view thereof; and,  
FIG. 3 is a right view thereof, the other side being a mirror image.

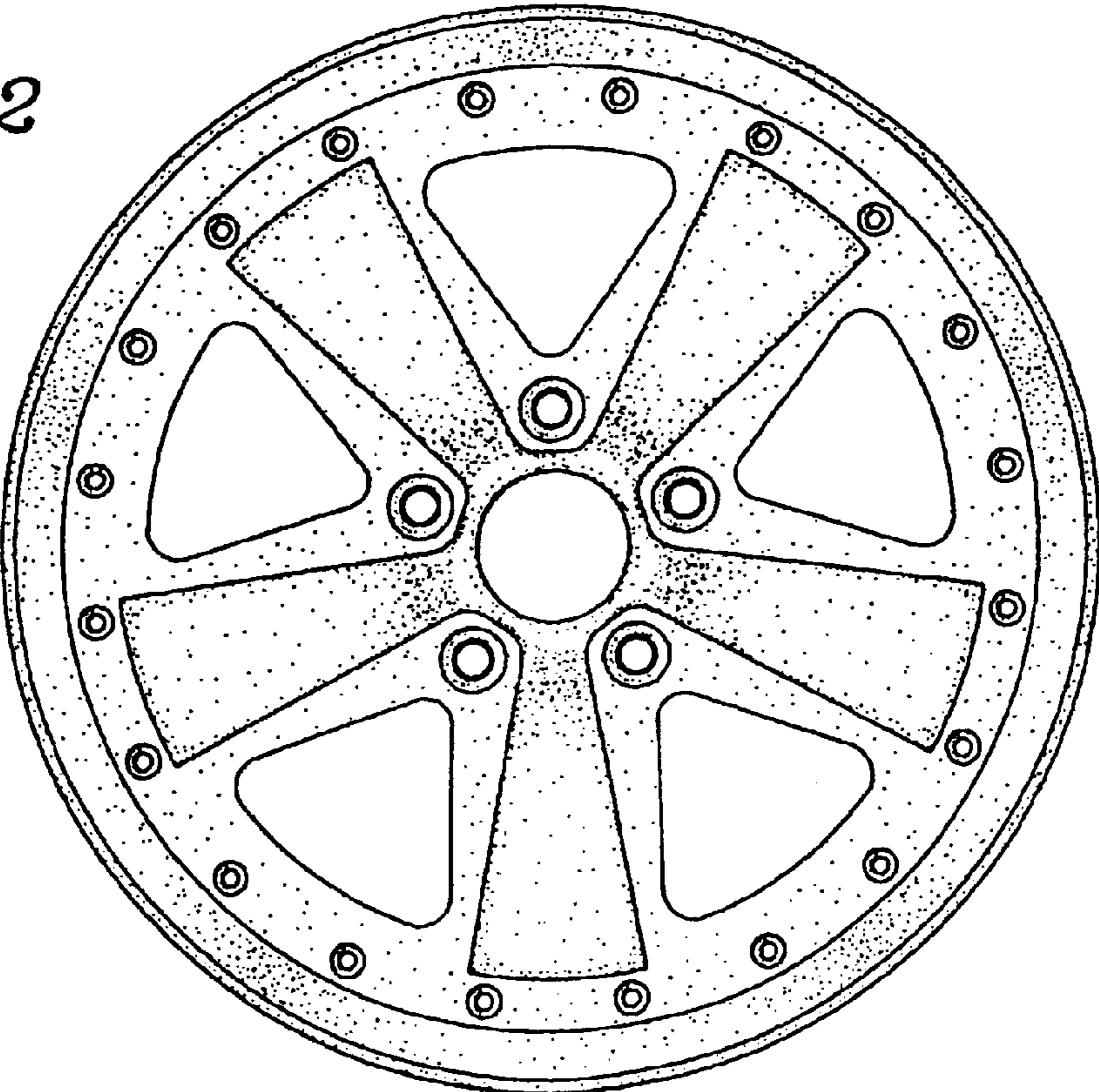
**1 Claim, 2 Drawing Sheets**



*Fig. 1*



*Fig. 2*



*Fig. 3*

