

US00D510716S

(12) **United States Design Patent**
Refsum et al.

(10) **Patent No.:** **US D510,716 S**
(45) **Date of Patent:** **** Oct. 18, 2005**

(54) **TROLLEY FRAME**

(75) Inventors: **Bjorn Refsum**, Alesund (NO); **Hilde Angelfoss Oxseth**, Alesund (NO)

(73) Assignee: **Stokken Gruppen AS**, Skodje (NO)

(**) Term: **14 Years**

(21) Appl. No.: **29/197,036**

(22) Filed: **Jan. 5, 2004**

(30) **Foreign Application Priority Data**

Jul. 3, 2003 (NO) 2003 0378

(51) **LOC (8) Cl.** **12-99**

(52) **U.S. Cl.** **D12/129**

(58) **Field of Search** D12/128-133;
280/42, 62, 641, 642, 650, 657, 658

(56) **References Cited**

U.S. PATENT DOCUMENTS

- D456,319 S * 4/2002 Yeh D12/129
- D475,951 S * 6/2003 Everett D12/129
- D481,975 S * 11/2003 Prouty D12/129

D492,458 S * 6/2004 Jarast D12/129

* cited by examiner

Primary Examiner—Marcus A. Jackson

(74) *Attorney, Agent, or Firm*—Kolisch Hartwell, P.C.

(57) **CLAIM**

I claim the ornamental design for a trolley frame, as shown and described.

DESCRIPTION

FIG. 1 is a perspective view of a trolley frame according to an embodiment of the present invention.

FIG. 2 is a top view of the embodiment of FIG. 1.

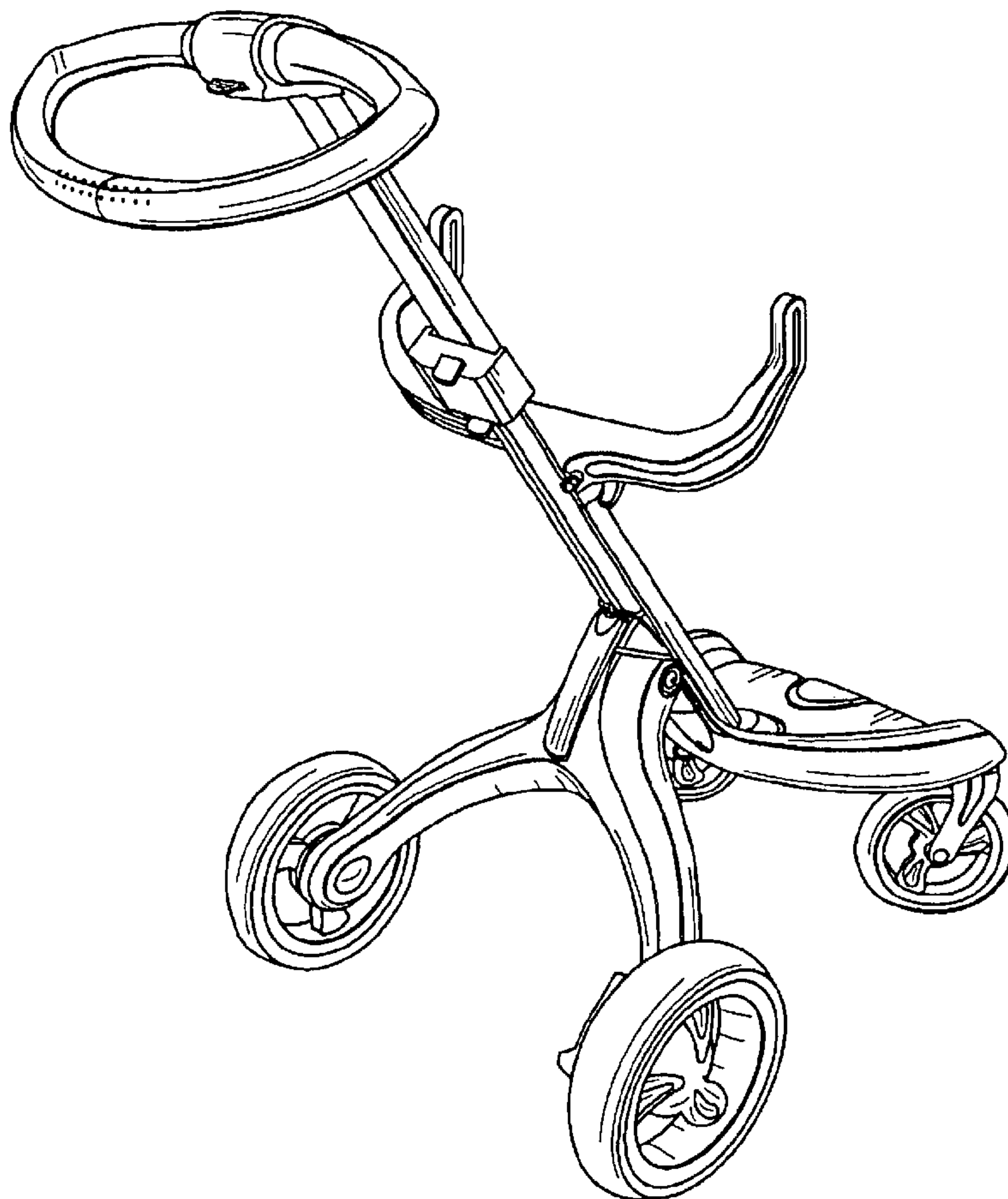
FIG. 3 is a side view of the embodiment of FIG. 1.

FIG. 4 is a front view of the embodiment of FIG. 1.

FIG. 5 is a bottom view of the embodiment of FIG. 1; and, FIG. 6 is a rear view of the embodiment of FIG. 1.

The stippling and shading lines shown in the drawing(s) represent the approximate three-dimensional contour of the design, and are not intended to indicate surface decoration. Portions of the trolley frame that are not shown in the drawing(s) form no part of the claimed design.

1 Claim, 4 Drawing Sheets



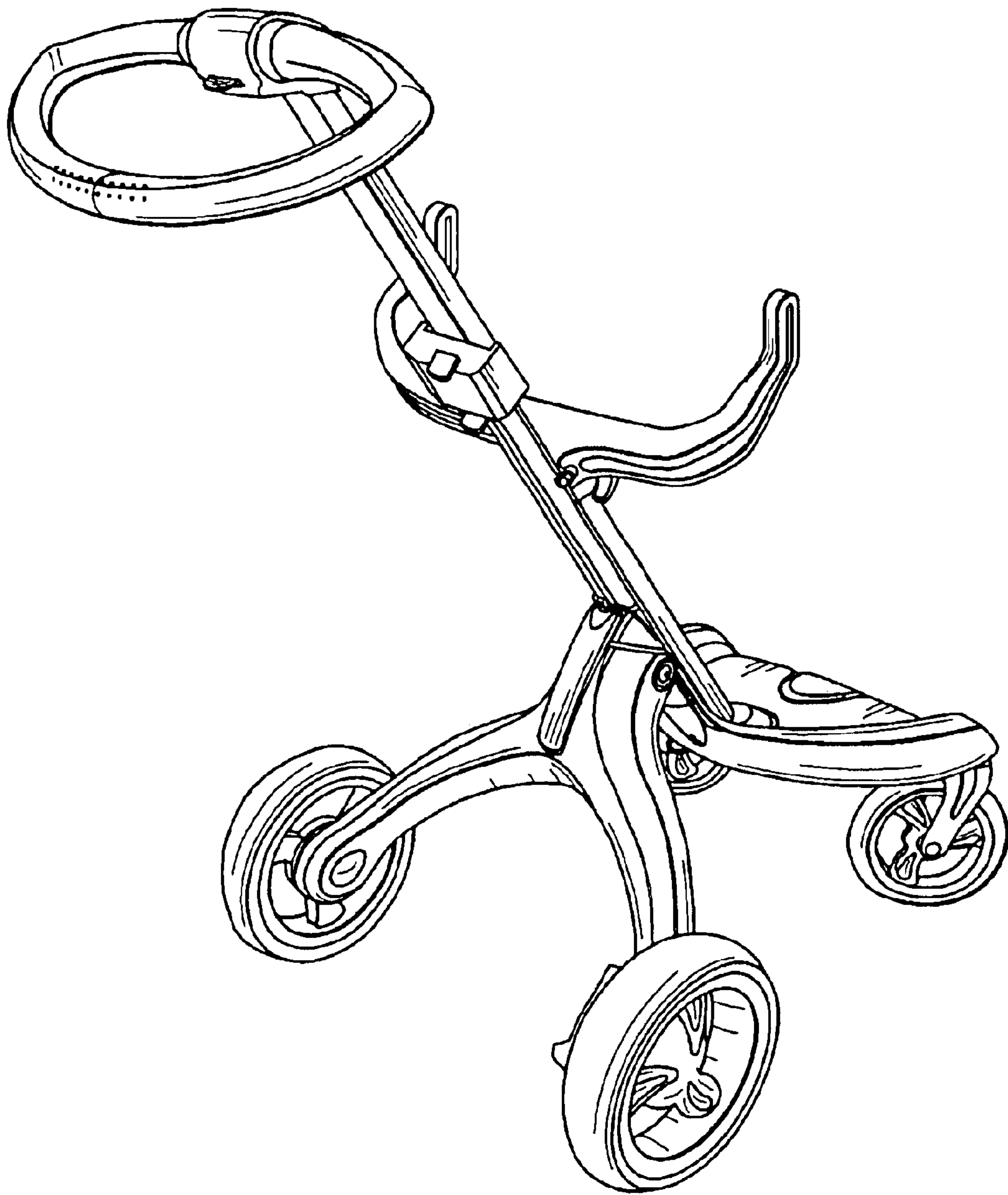


FIG. 1

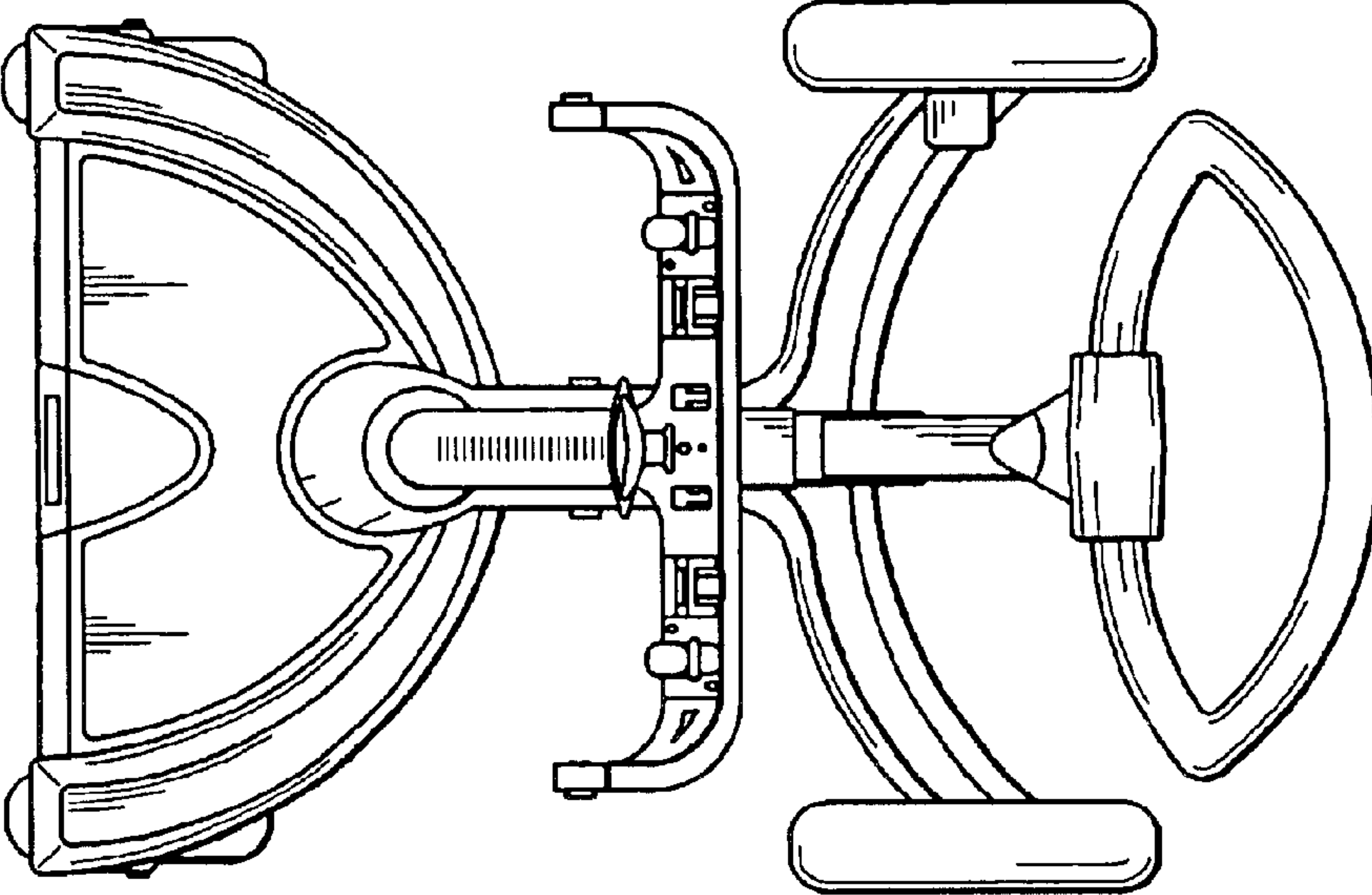


FIG. 2

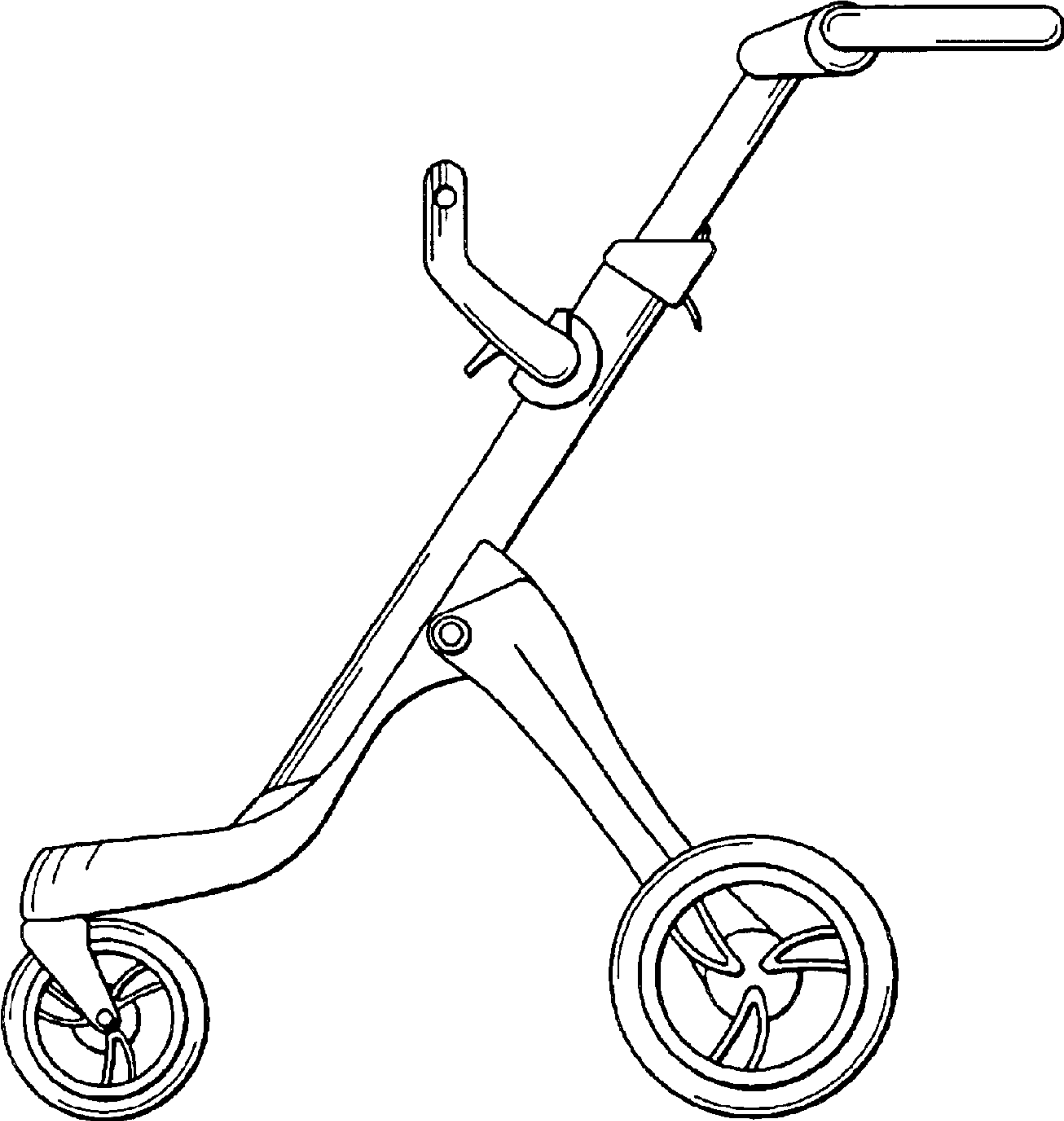


FIG. 3

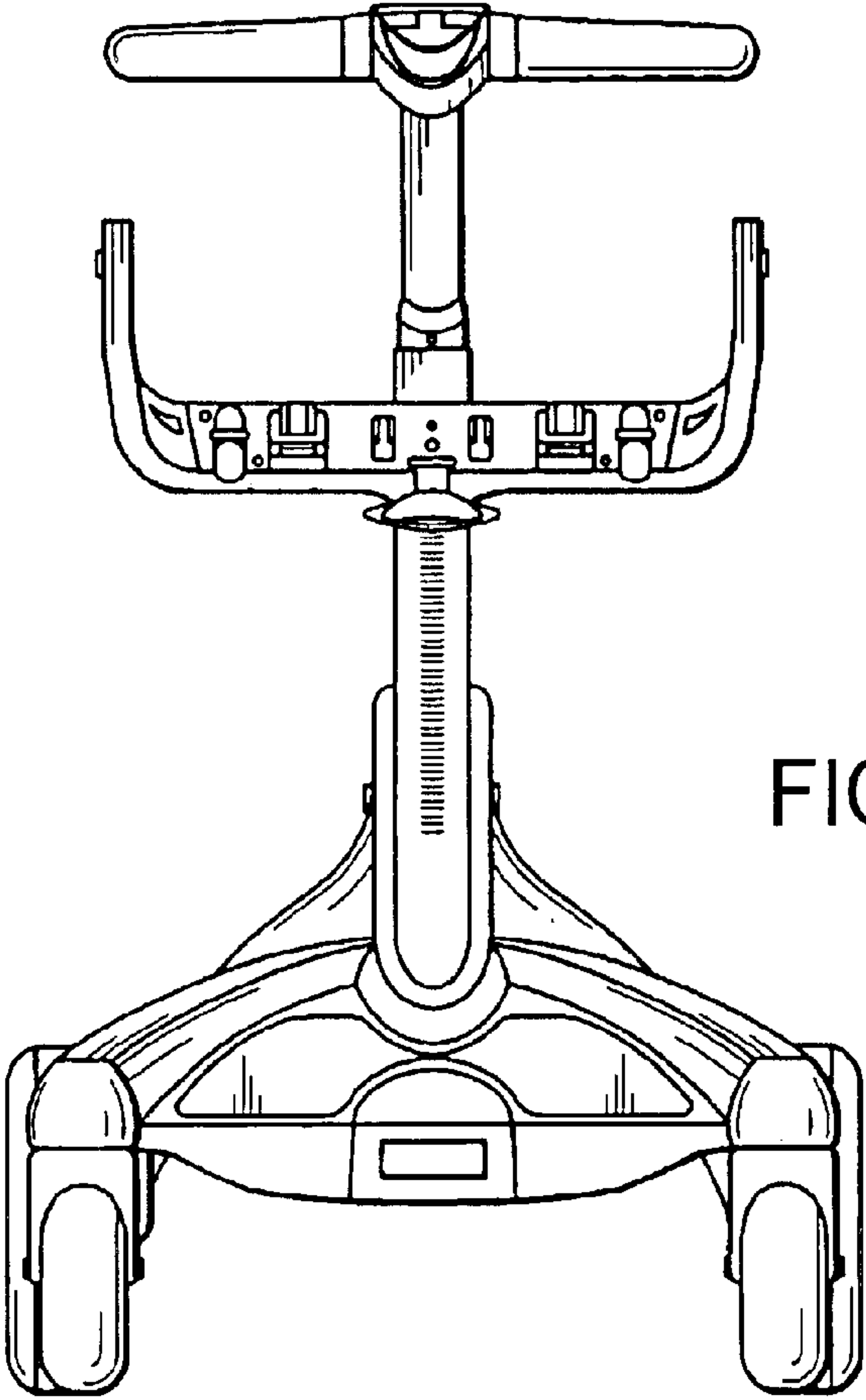


FIG. 4

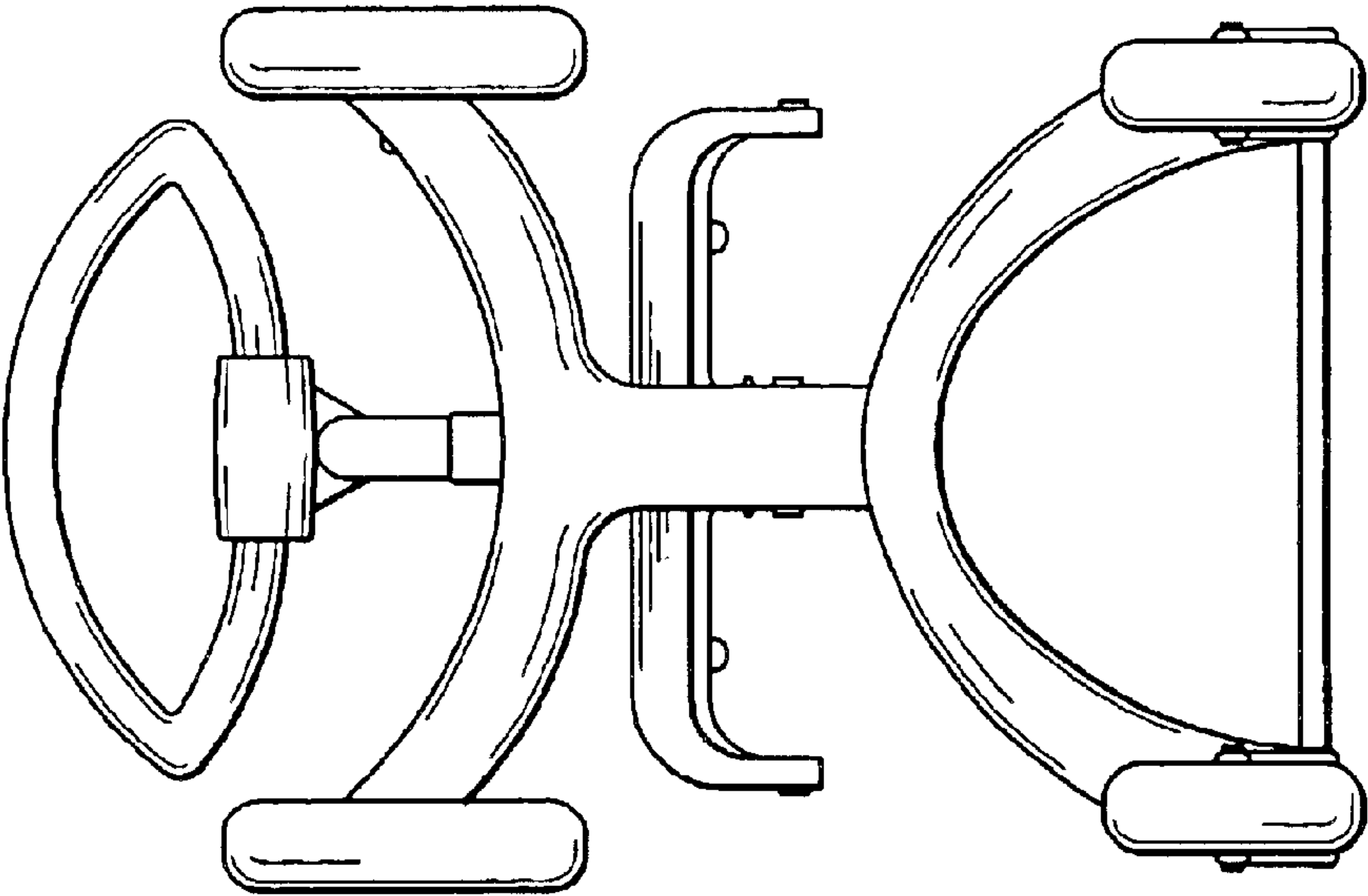


FIG. 5

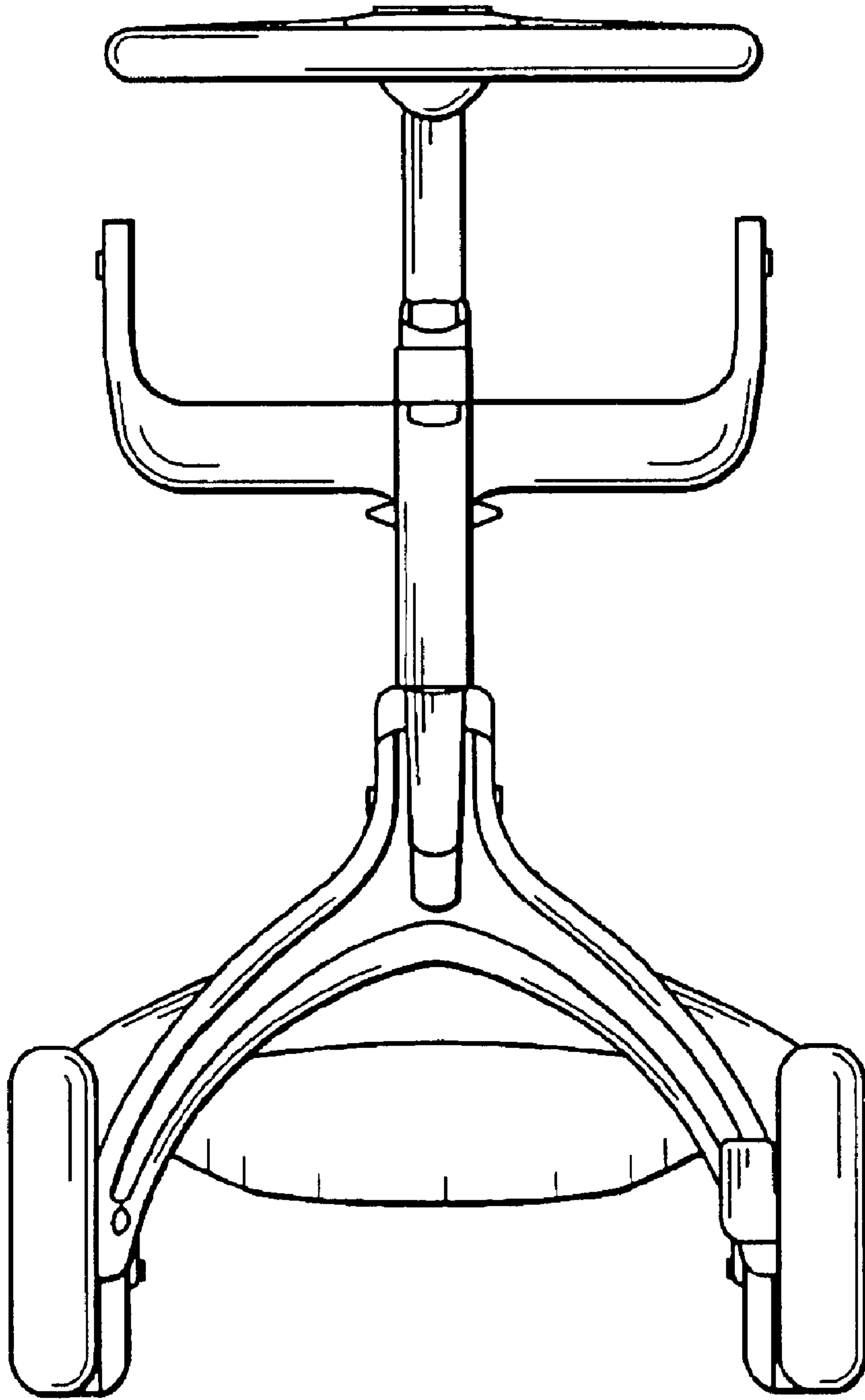


FIG. 6