



US00D510715S

(12) **United States Design Patent**
Wu

(10) **Patent No.:** **US D510,715 S**
(45) **Date of Patent:** **** Oct. 18, 2005**

- (54) **ELECTRIC BICYCLE**
- (75) Inventor: **Donald P. H. Wu**, Hsinchu County (TW)
- (73) Assignee: **PI Hsiang Machinery Mfg. Co.**, Hsinchu County (TW)
- (**) Term: **14 Years**
- (21) Appl. No.: **29/213,020**
- (22) Filed: **Sep. 10, 2004**
- (51) **LOC (8) Cl.** **12-12**
- (52) **U.S. Cl.** **D12/128**
- (58) **Field of Search** D12/128-133; 280/250.1, 304.1; 180/65, 65.1, 65.6, 21, 907, 908, 326; 297/DIG. 4

(56) **References Cited**
U.S. PATENT DOCUMENTS

- D321,678 S * 11/1991 Blount et al. D12/128
- D401,190 S * 11/1998 Krause D12/128
- D444,422 S * 7/2001 Cheng D12/128

D494,510 S * 8/2004 Tsai D12/128

* cited by examiner

Primary Examiner—Marcus A. Jackson
(74) *Attorney, Agent, or Firm*—Charles B. Baxley

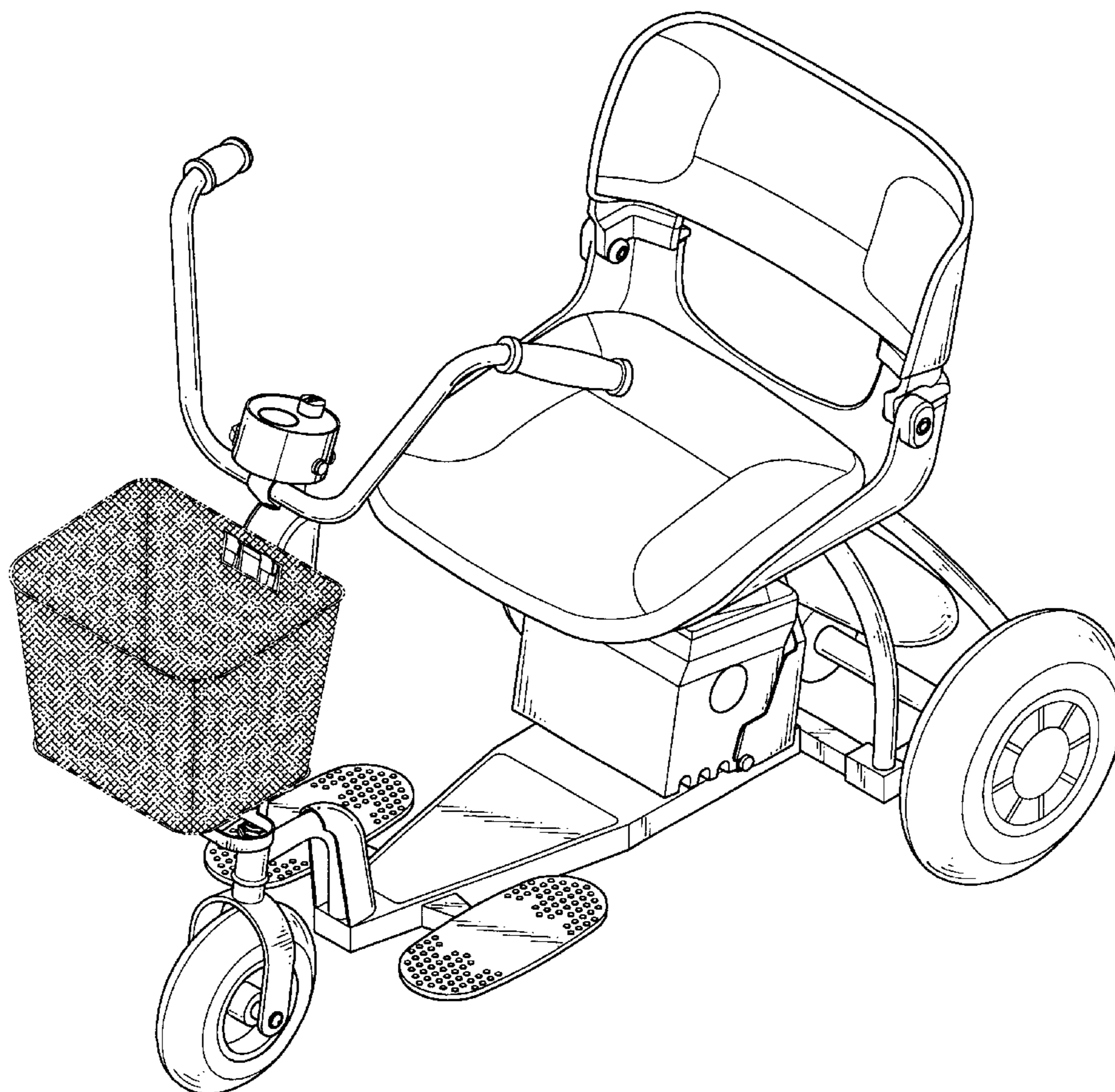
(57) **CLAIM**

The ornamental design for an electric bicycle, as shown and described.

DESCRIPTION

FIG. 1 is a perspective view of an electric bicycle showing my new design;
FIG. 2 is a front elevational view thereof;
FIG. 3 is a rear elevational view thereof,
FIG. 4 is a left side elevational view thereof,
FIG. 5 is a right side elevational view thereof,
FIG. 6 is a top plan view thereof; and
FIG. 7 is a bottom plan view to that shown; and,
FIG. 8 is a perspective view of electric bicycle, the broken lines shown are for illustrative purposes only and from no part of the claimed design.

1 Claim, 8 Drawing Sheets



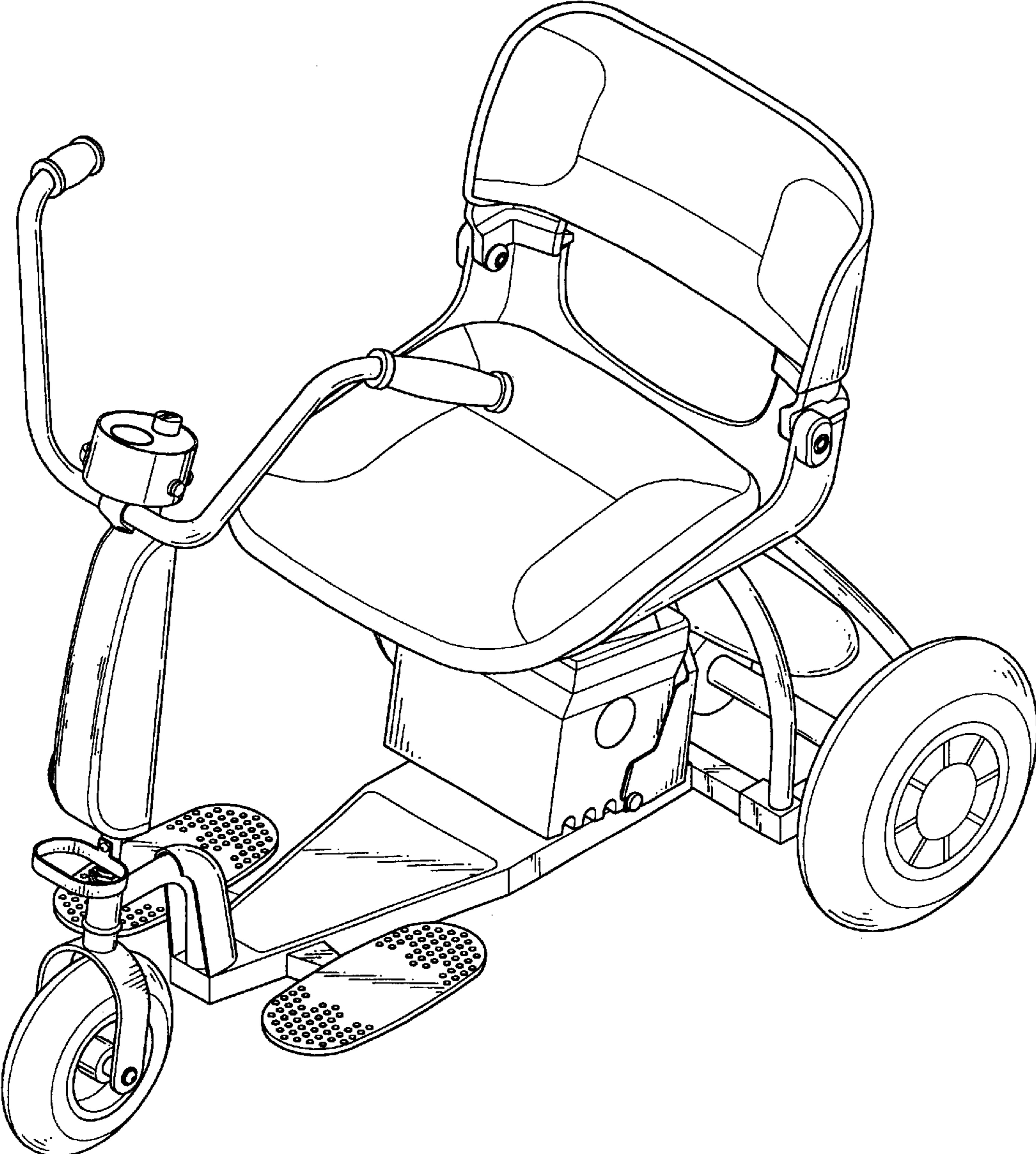


FIG. 1

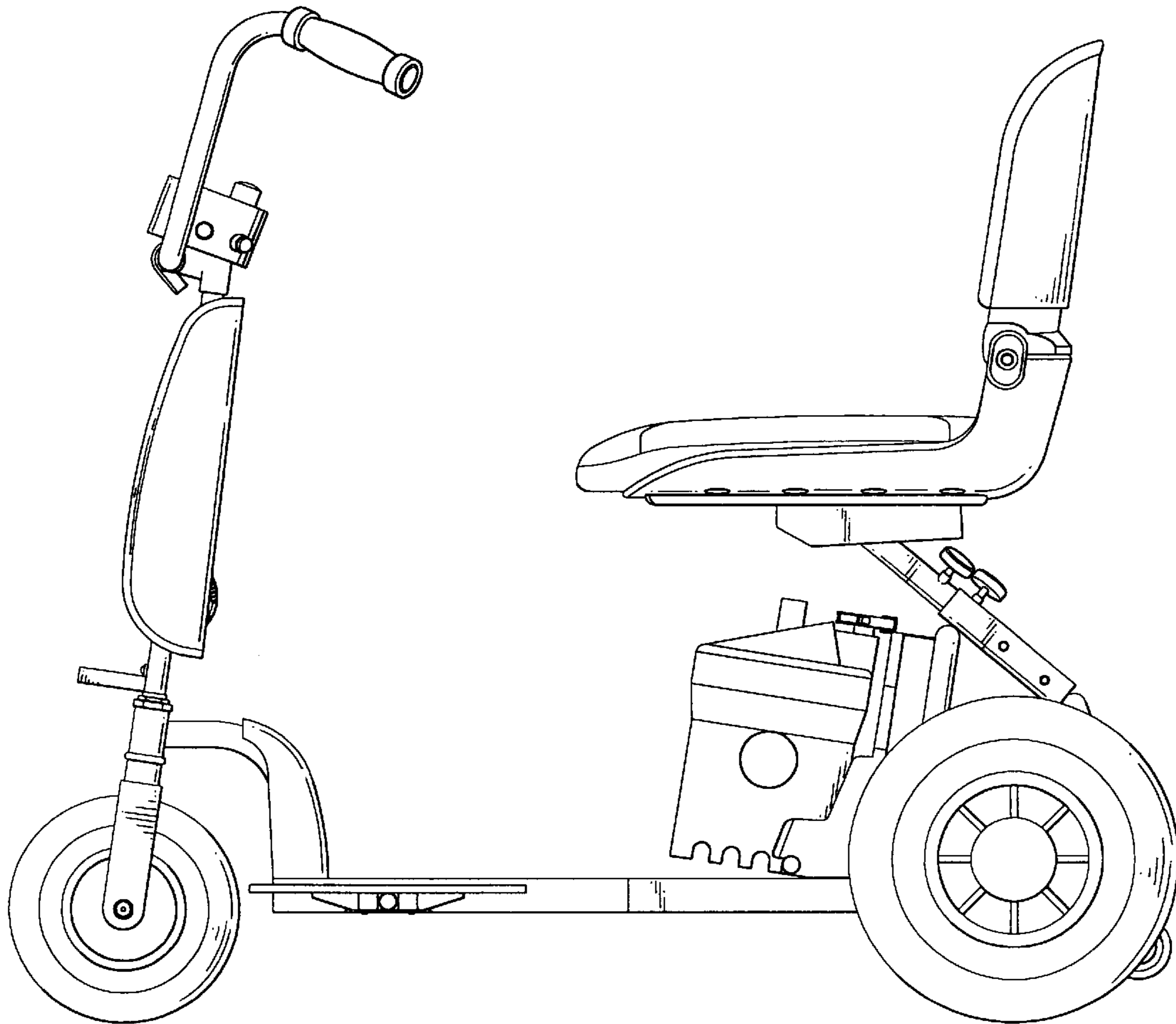


FIG. 2

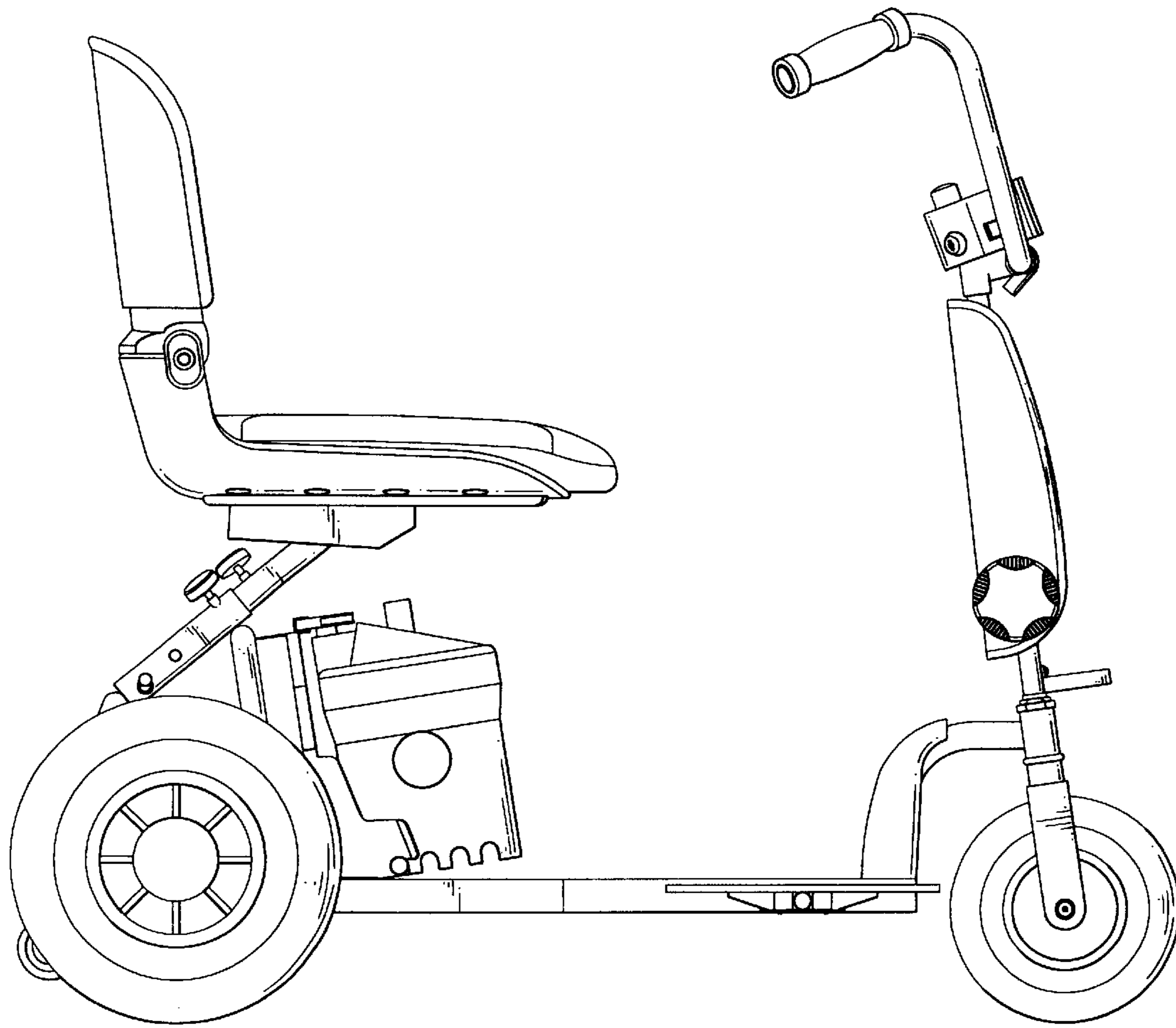


FIG. 3

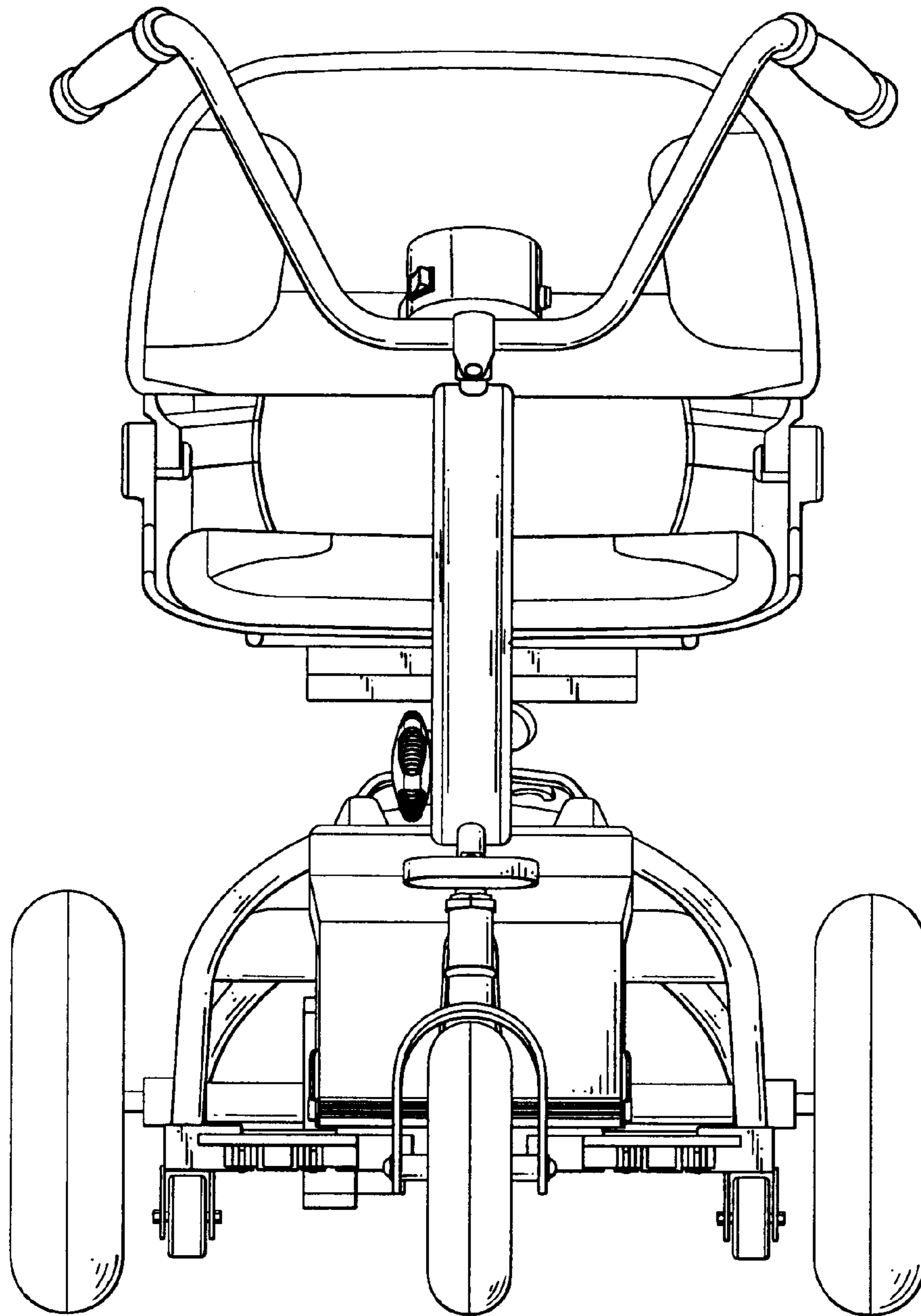


FIG. 4

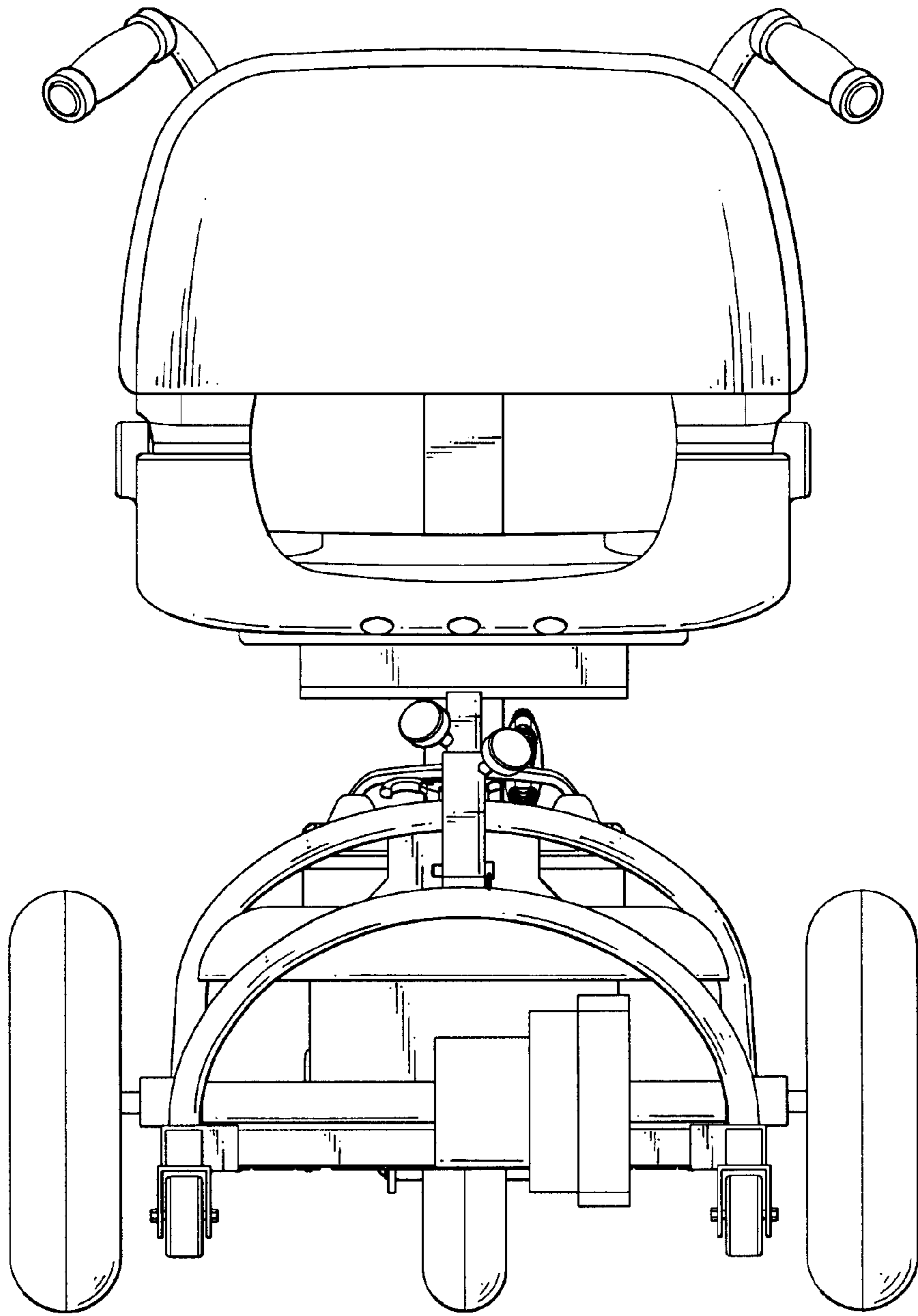


FIG. 5

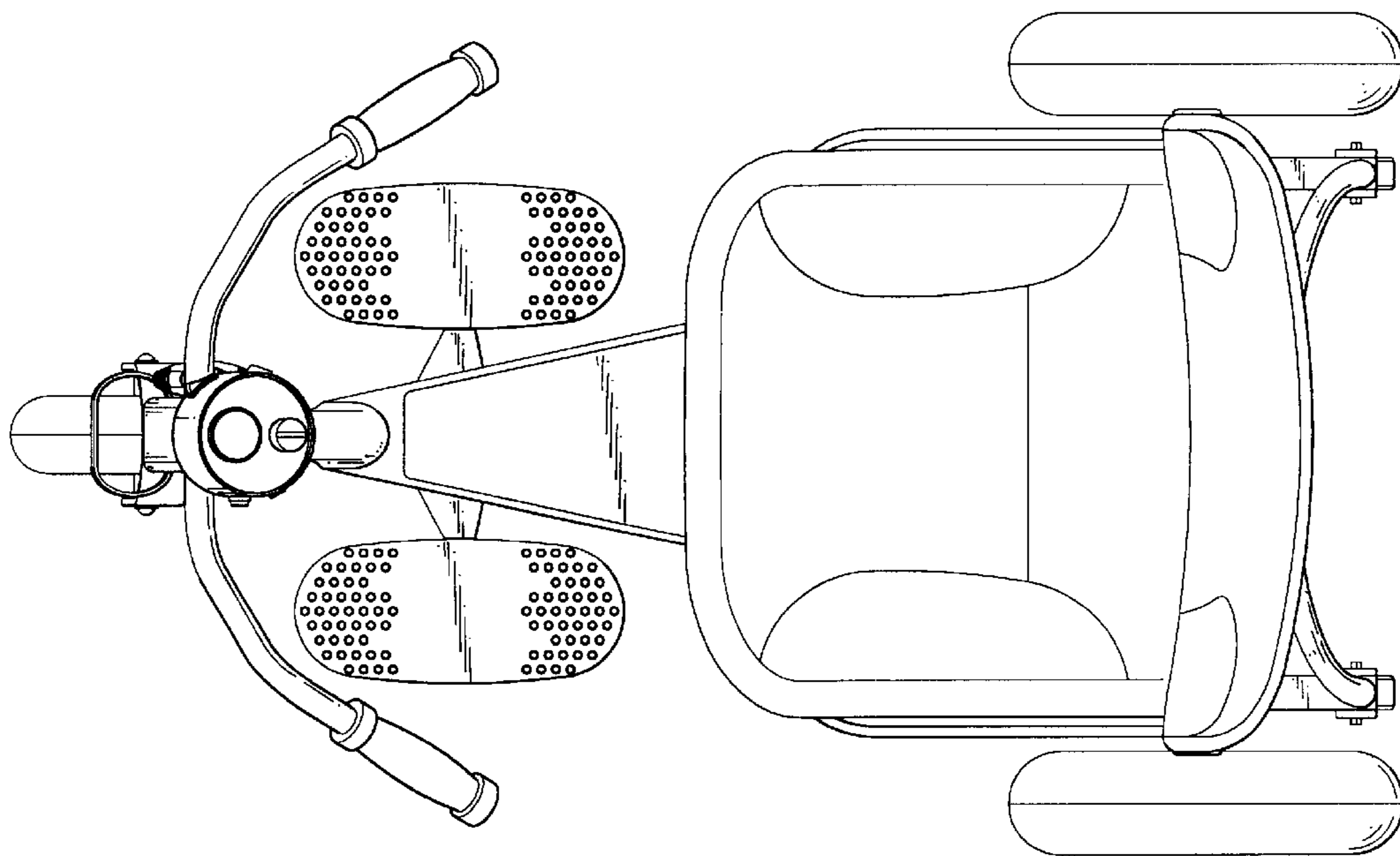


FIG. 6

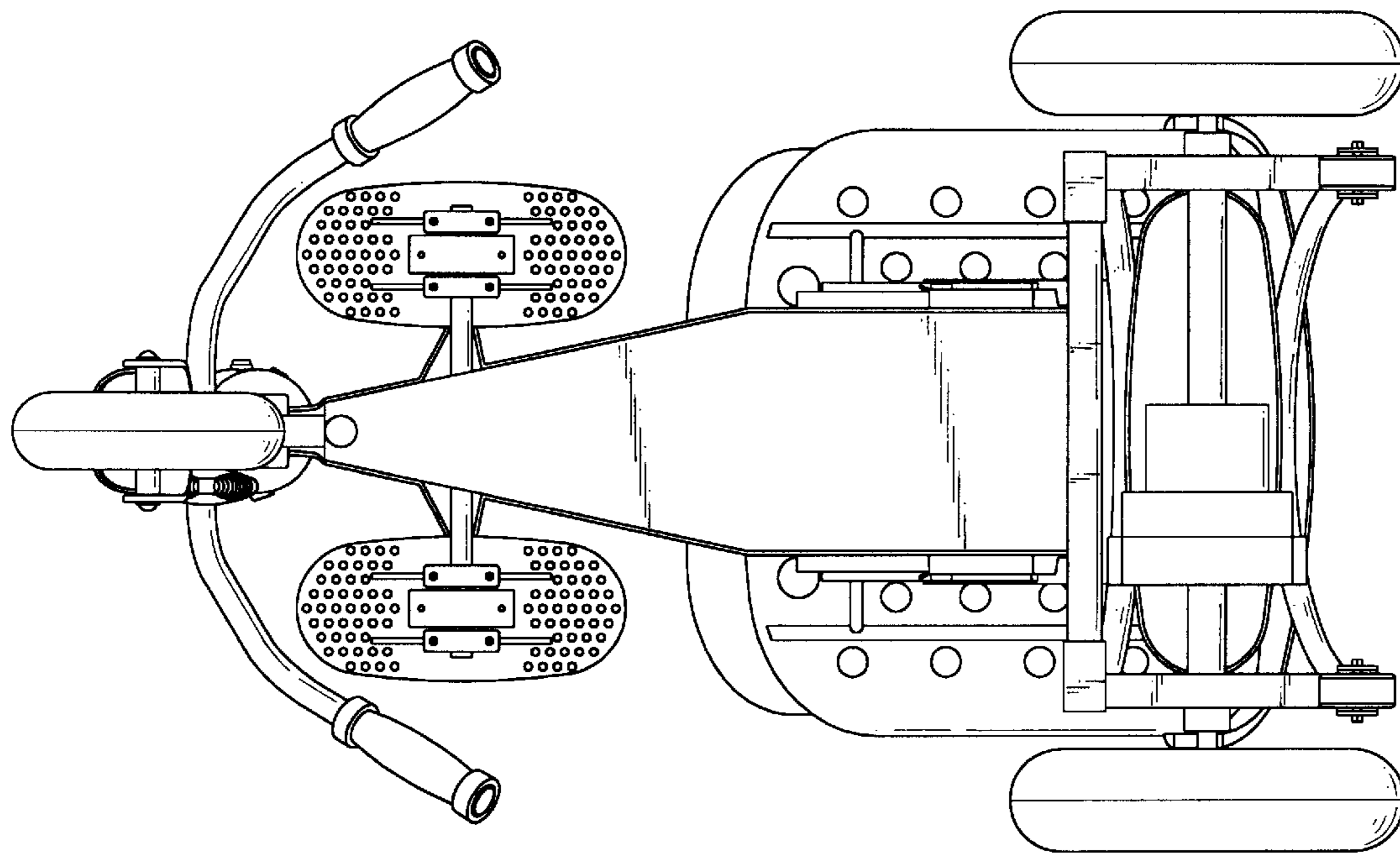


FIG. 7

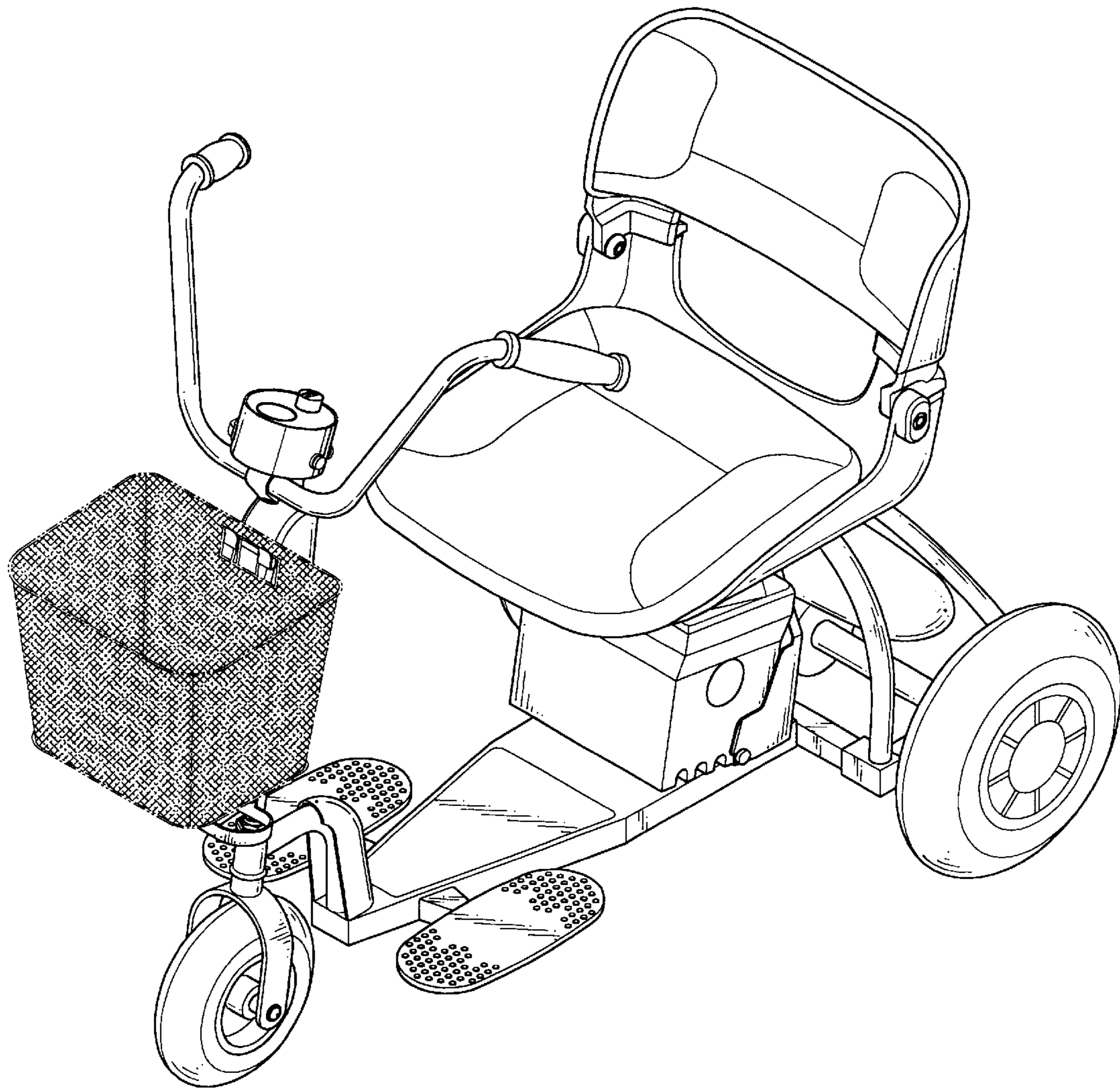


FIG. 8