



US00D510714S

(12) **United States Design Patent**  
**Oosterveer**

(10) **Patent No.:** **US D510,714 S**  
(45) **Date of Patent:** **\*\* Oct. 18, 2005**

(54) **THREE-SKI DEVICE**

(76) Inventor: **Horst Oosterveer**, Lisseveenlaan 16,  
NL-5582 KC Waalre (NL)

(\*\*) Term: **14 Years**

(21) Appl. No.: **29/216,917**

(22) Filed: **Nov. 9, 2004**

(51) **LOC (8) Cl.** ..... **12-14**

(52) **U.S. Cl.** ..... **D12/10**

(58) **Field of Search** ..... D12/6, 9, 10, 11;  
280/16, 18, 20-21 R, 21 A, 15, 22; 180/190,  
182; 441/72-73, 38; D21/760, 767

(56) **References Cited**

**U.S. PATENT DOCUMENTS**

3,033,585	A	*	5/1962	Marston et al.	.....	280/16
3,799,565	A	*	3/1974	Burtis et al.	.....	280/16
D234,787	S	*	4/1975	Heck	.....	D12/10
D255,788	S	*	7/1980	Gustafson	.....	D12/9
4,572,535	A		2/1986	Stewart et al.		
D298,111	S	*	10/1988	Kaptelin et al.	.....	D12/9
D465,439	S		11/2002	van de Vrie		

**FOREIGN PATENT DOCUMENTS**

DE	195 11 629	C2	10/1998
DE	100 54 273	A1	5/2002
EP	000005301-0001		7/2003

**OTHER PUBLICATIONS**

Tom Lockington, Trixstar at [www.trixstar.co.uk](http://www.trixstar.co.uk), Dec. 18, 2004, 1 page.  
Rohorn, Inc., Rohorn Mind Expanding Bicycles, S'trike and F'lowroller, [www.rohorn.com](http://www.rohorn.com), Dec. 18, 2004, 1 page.  
Author or owner name unknown, Coyote pedal kart, [www.letsride1.com/coyote.html](http://www.letsride1.com/coyote.html), Dec. 18, 2004, 2 pages.  
TRAILMATE, Trailmate's Fun Cycle Series, [www.trailmate.com/funCycleSeries.cfm](http://www.trailmate.com/funCycleSeries.cfm), Dec. 18, 2004, 2 pages.

Winther, Chili Recumbent Bike, [www.a-winther.com/pages/viking/others\\_485.00.php](http://www.a-winther.com/pages/viking/others_485.00.php), Dec. 18, 2004, 2 pages.  
Berg, BalanzBike, [www.bergtoys.com/languages/balanzbike.php?model=bazzic](http://www.bergtoys.com/languages/balanzbike.php?model=bazzic), Dec. 18, 2004, 1 page.  
Author or owner name unknown, Triker Rock The Streets, Users manual, Dec. 18, 2004, 1 page.  
Author or owner name unknown, Big Wheel, <http://toyclassics.com/product.asp?pn=1995>, Dec. 18, 2004, 1 page.  
Toyvision Trading B.V., ZigZag users manual, date unknown, 1 page.  
Toyvision Trading B.V., Viper users manual, date unknown, 1 page.

\* cited by examiner

*Primary Examiner*—Nelson C. Holtje  
(74) *Attorney, Agent, or Firm*—Schwabe, Williamson & Wyatt, P.C.

(57) **CLAIM**

I claim an ornamental design of a three-ski device, as shown and described.

**DESCRIPTION**

FIG. 1 illustrates a front left plan view of an ornamental design of the three-ski device in accordance with the present invention;  
FIG. 2 illustrates a rear left plan view of the invention of FIG. 1;  
FIG. 3 illustrates a bottom elevational view of the invention of FIG. 1;  
FIG. 4 illustrates a top elevational view of the invention of FIG. 1; and,  
FIG. 5 illustrates a side elevational view of the invention of FIG. 1.  
The broken line showing of a seat is for illustrative purposes only and forms no part of the claimed design.

**1 Claim, 5 Drawing Sheets**

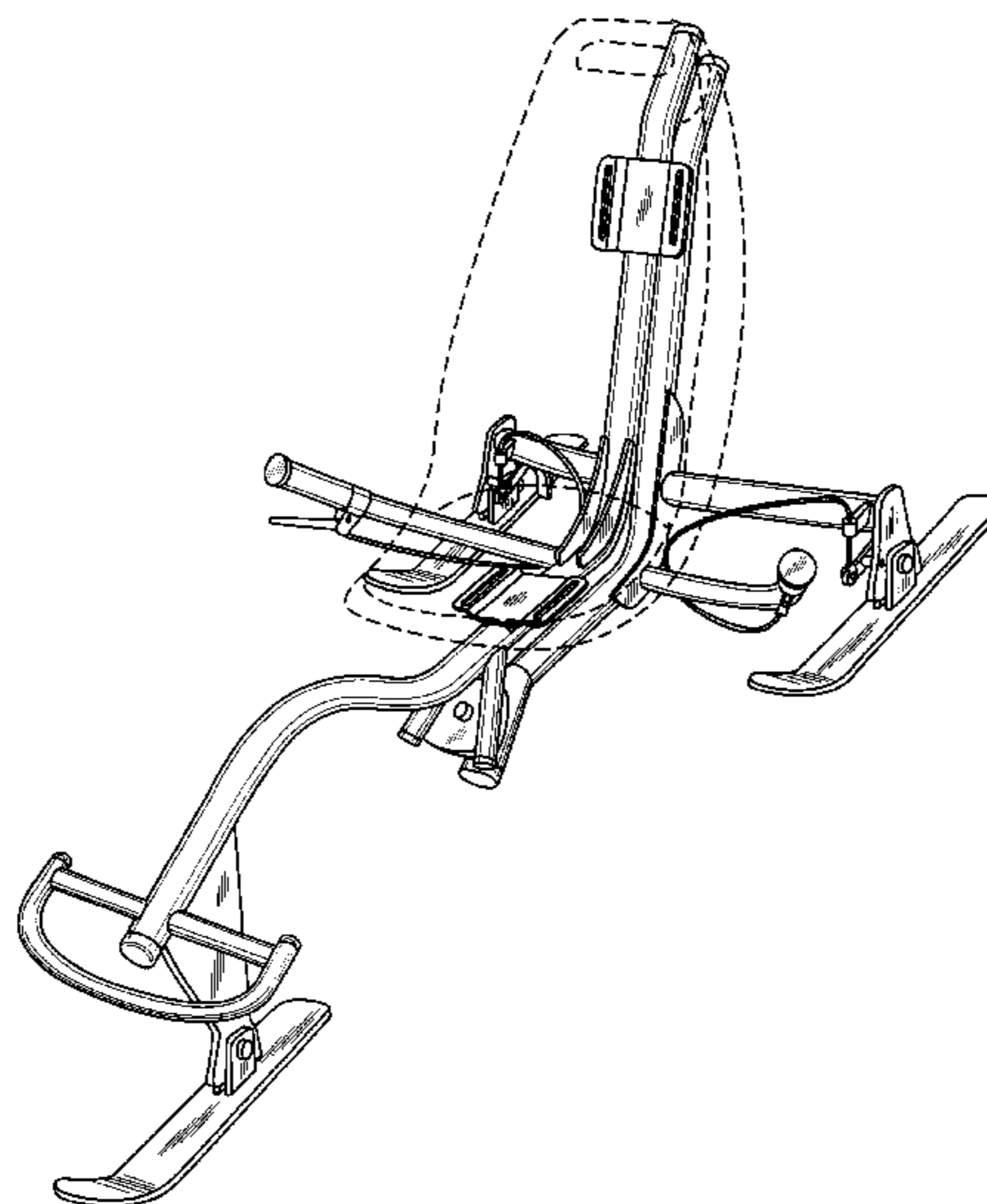
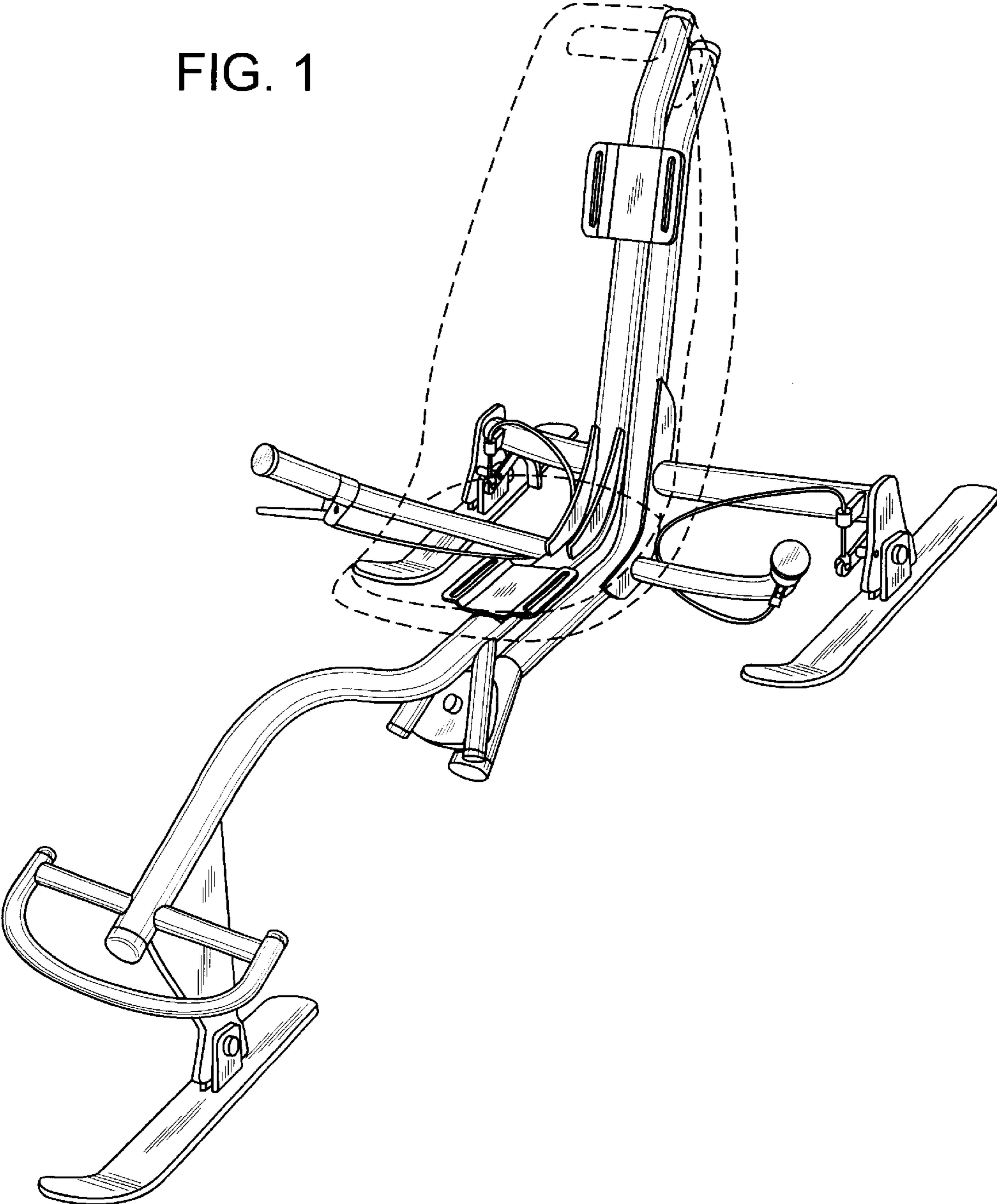


FIG. 1



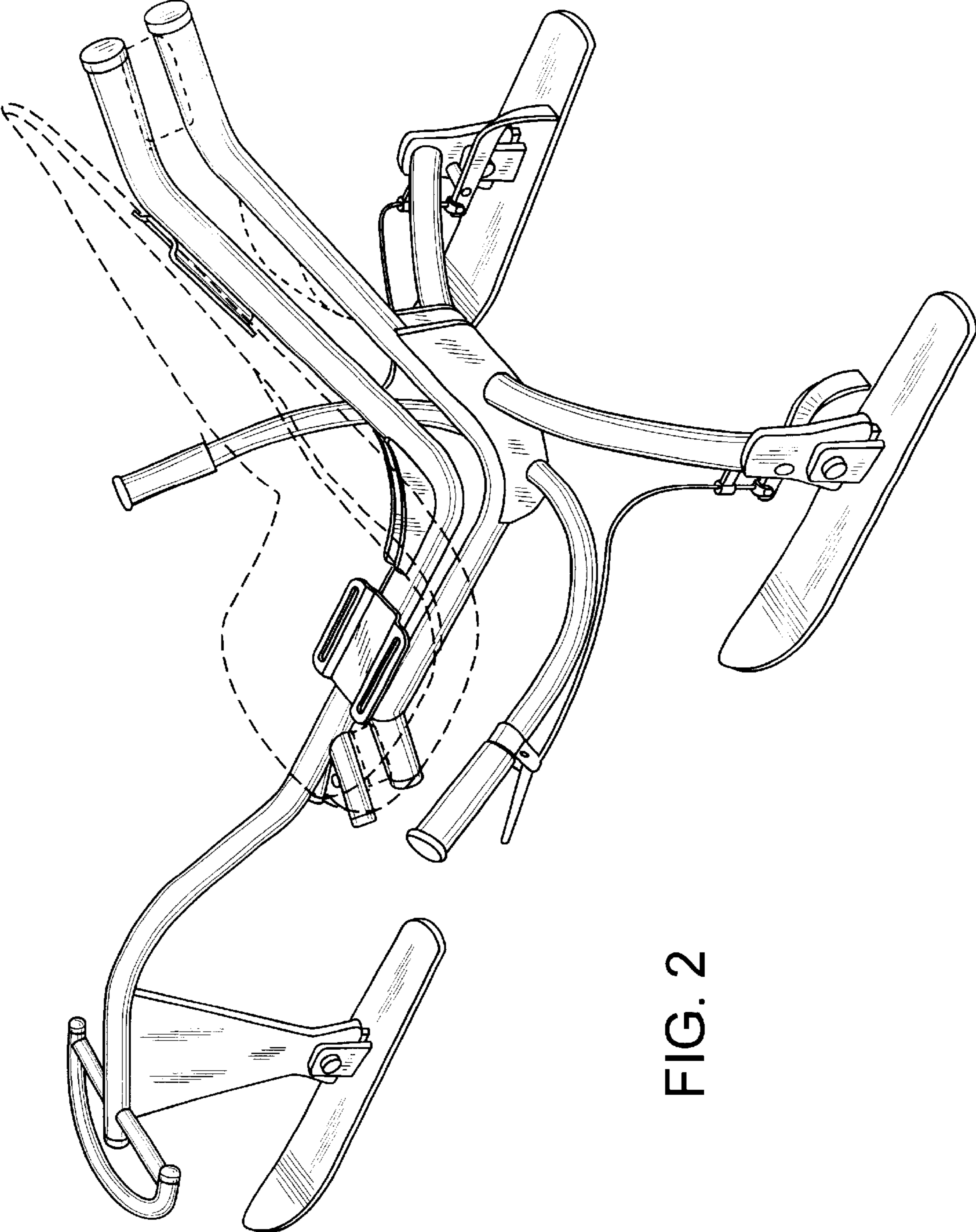


FIG. 2

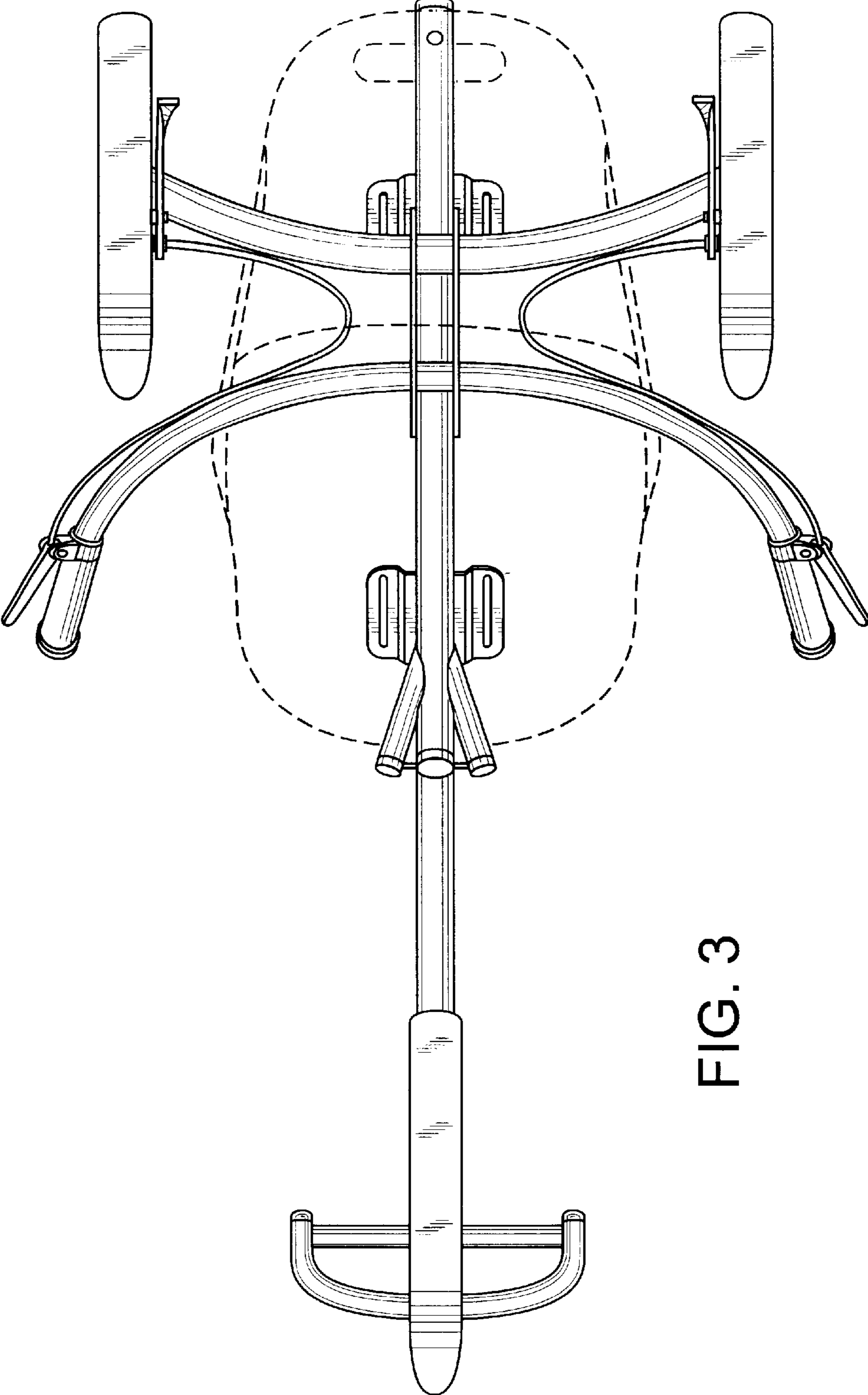


FIG. 3

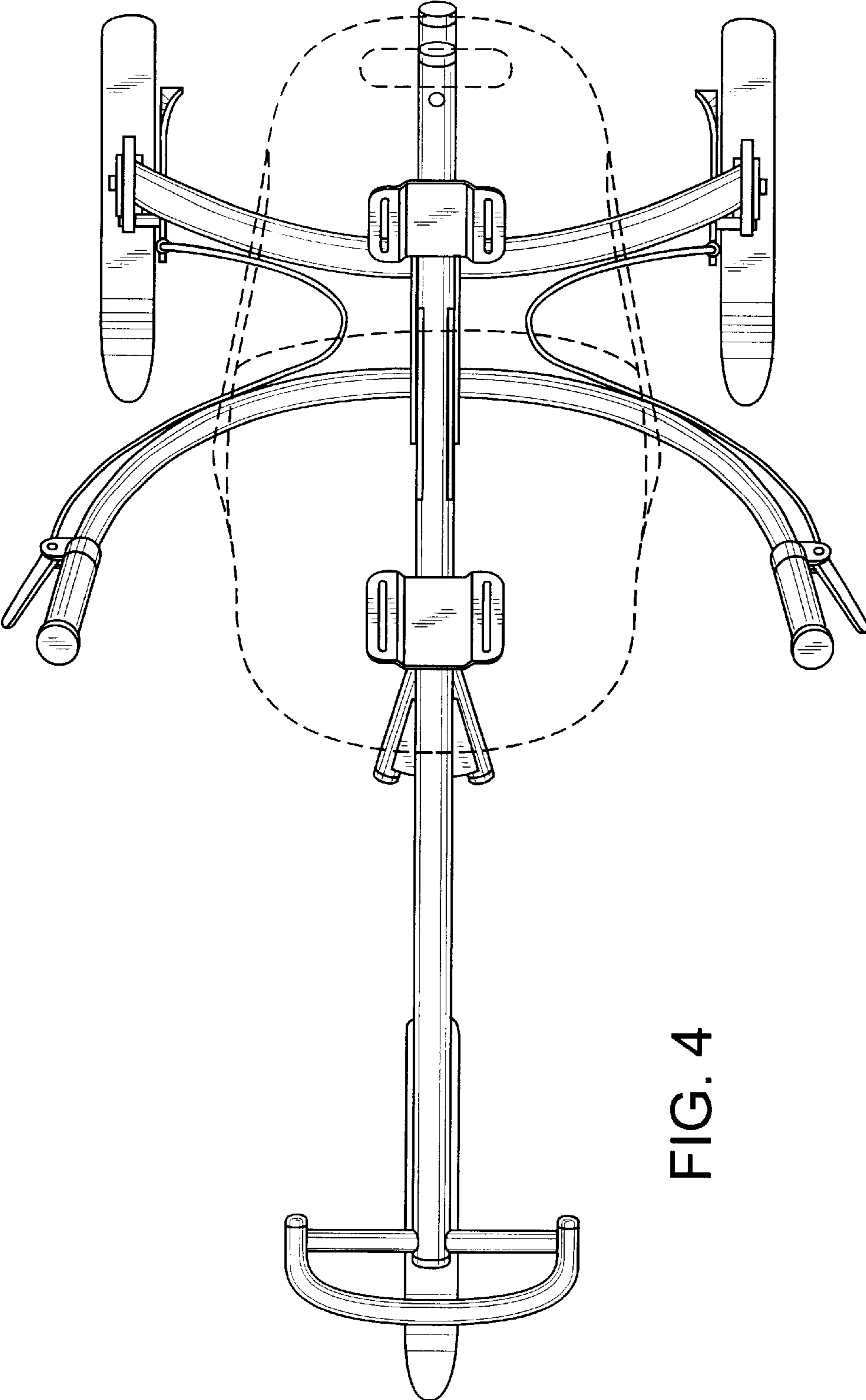


FIG. 4

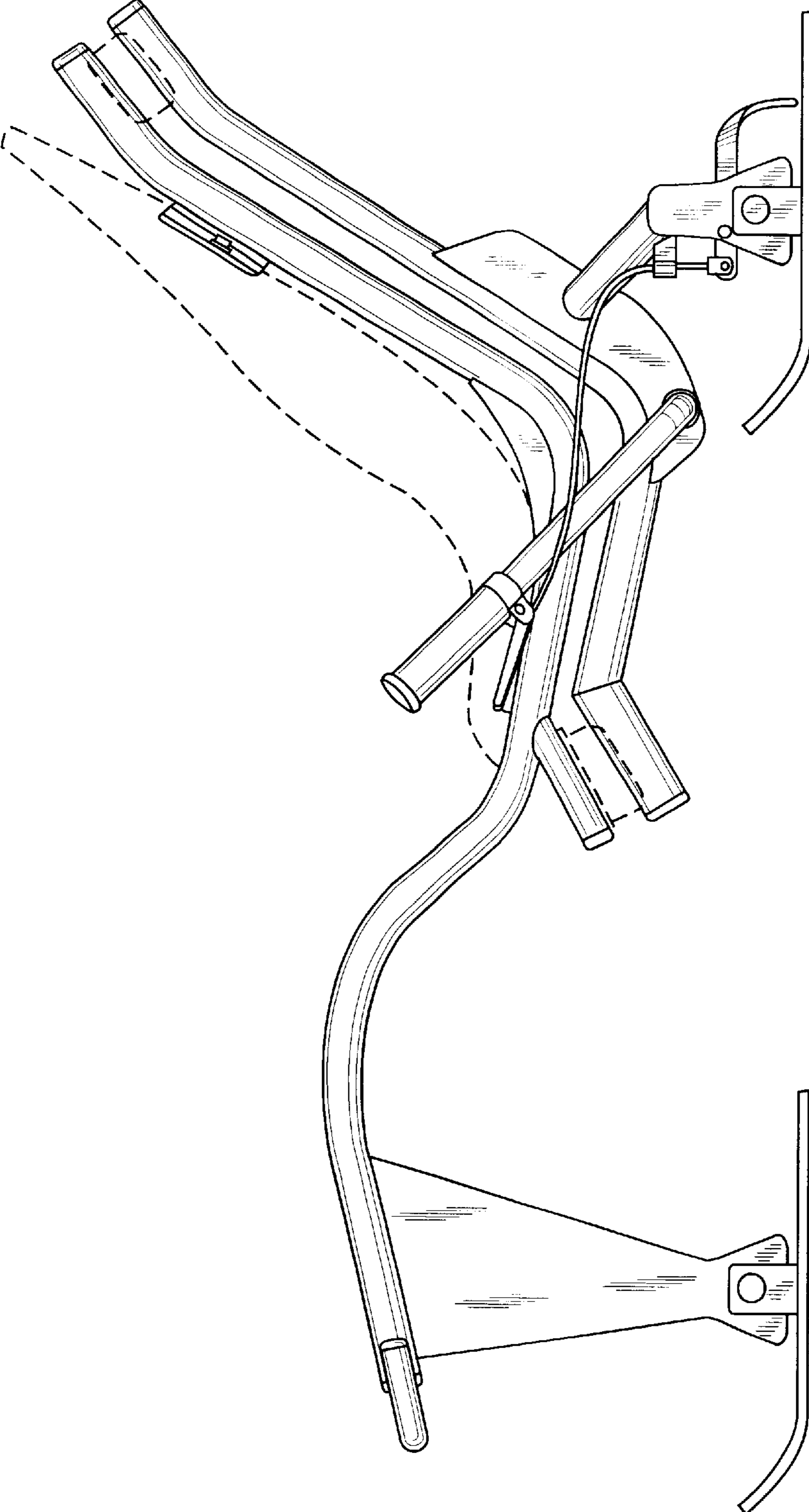


FIG. 5

UNITED STATES PATENT AND TRADEMARK OFFICE  
**CERTIFICATE OF CORRECTION**

PATENT NO. : Des. 510,714 S  
APPLICATION NO. : 29/216917  
DATED : October 18, 2005  
INVENTOR(S) : Horst Oosterveer

Page 1 of 1

It is certified that error appears in the above-identified patent and that said Letters Patent is hereby corrected as shown below:

On the Front Page, Foreign Patent Documents:

“EP 000005301-0001” should read -- EU 000005301-0001; --

On the Front Page, Description:

“FIG. 1; and,” should read -- FIG. 1; and --

Signed and Sealed this

Nineteenth Day of September, 2006

A handwritten signature in black ink on a light gray dotted background. The signature reads "Jon W. Dudas" in a cursive style.

JON W. DUDAS

*Director of the United States Patent and Trademark Office*