



US00D510712S

(12) **United States Design Patent** (10) **Patent No.:** **US D510,712 S**
Chia et al. (45) **Date of Patent:** **** Oct. 18, 2005**

(54) **JEWELRY COMPONENT**

(76) Inventors: **Meang Chia**, 412 W. 6th St., Suite 1104, Los Angeles, CA (US) 90014; **Cheo Chia**, 412 W. 6th St., Suite 1104, Los Angeles, CA (US) 90014; **Huy Kim Chia**, 412 W. 6th St., Suite 1104, Los Angeles, CA (US) 90014

(**) Term: **14 Years**

(21) Appl. No.: **29/189,955**

(22) Filed: **Sep. 11, 2003**

Related U.S. Application Data

(62) Division of application No. 29/129,456, filed on Sep. 15, 2000, now Pat. No. Des. 482,295, which is a continuation-in-part of application No. 29/110,327, filed on Sep. 3, 1999, now Pat. No. Des. 471,129, which is a continuation-in-part of application No. 29/098,058, filed on Dec. 21, 1998, now Pat. No. Des. 418,445, which is a division of application No. 29/070,204, filed on May 7, 1997, now Pat. No. Des. 406,247.

(51) **LOC (8) Cl.** **11-01**

(52) **U.S. Cl.** **D11/93**

(58) **Field of Search** D11/1-27, 48, D11/76, 91, 93-94; 59/79-80, 92; 63/1.11-6.9, 11, 20

(56) **References Cited**

U.S. PATENT DOCUMENTS

D12,579 S 11/1881 Reynolds D11/90

(Continued)

FOREIGN PATENT DOCUMENTS

CH 238894 8/1945

(Continued)

OTHER PUBLICATIONS

A&A Jewelry Tools & Findings; Smooth edge coin, w/4 prong w/bail; 7 pages including G92.

(Continued)

Primary Examiner—Ralf Seifert

(74) *Attorney, Agent, or Firm*—Ladas & Parry LLP

(57) **CLAIM**

The ornamental design for a jewelry component, as shown and described.

DESCRIPTION

Reference is made to Applicants': Application No. 09/224, 936 filed Dec. 31, 1998 entitled "Decorative Jewelry

Article"; Application No. 09/383,814 filed Aug. 26, 1999 entitled "Decorative Jewelry Item"; U.S. Design Application No. 29,116,859 filed Jan. 11, 2000, entitled "Jewelry Component"; and U.S. Document Disclosure Certificate No. 459913, recorded Jul. 30, 1999.

FIG. 1 is a perspective view of a first embodiment of a jewelry component showing our new design;

FIG. 2 is a top plan view of the first embodiment;

FIG. 3 is a front elevational view of the first, second, third, fourth, and fifth embodiments, the rear, left, and right elevational views being identical images;

FIG. 4 is a perspective view of a second embodiment of a jewelry component showing our new design;

FIG. 5 is a top plan view of the second embodiment;

FIG. 6 is a perspective view of a third embodiment of a jewelry component showing our new design;

FIG. 7 is a top plan view of the third embodiment;

FIG. 8 is a perspective view of a fourth embodiment of a jewelry component showing our new design;

FIG. 9 is a top plan view of the fourth embodiment;

FIG. 10 is a perspective view of a fifth embodiment of a jewelry component showing our new design;

FIG. 11 is a top plan view of the fifth embodiment;

FIG. 12 is a perspective view of a sixth embodiment of a jewelry component showing our new design;

FIG. 13 is a top plan view of the sixth embodiment;

FIG. 14 is an enlarged partial cross sectional view taken along the line 14—14 in FIG. 13 to show only the feature of the sloping top;

FIG. 15 is a front elevational view of the sixth, seventh, eighth, ninth, tenth, and eleventh embodiments, the rear, left, and right elevational views being identical images;

FIG. 16 is a perspective view of a seventh embodiment of a jewelry component showing our new design;

FIG. 17 is a top plan view of the seventh embodiment;

FIG. 18 is an enlarged partial cross sectional view taken along the line 18—18 in FIGS. 17, 20, 22, and 24 to show only the feature of the sloping top;

FIG. 19 is a perspective view of an eighth embodiment of a jewelry component showing our new design;

FIG. 20 is a top plan view of the eighth embodiment;

FIG. 21 is a perspective view of a ninth embodiment of a jewelry component showing our new design;

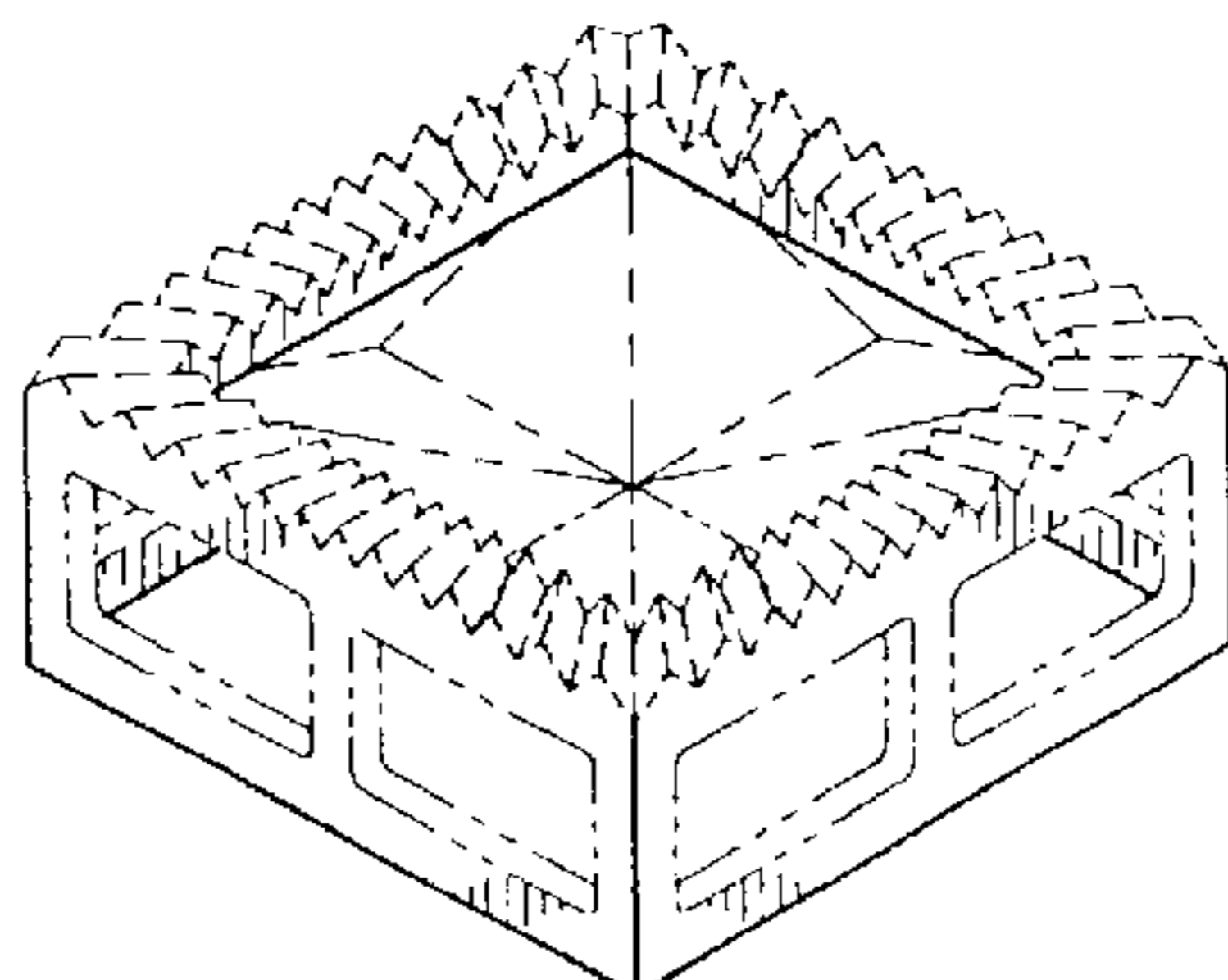
FIG. 22 is a top plan view of the ninth embodiment;

FIG. 23 is a perspective view of a tenth embodiment of a jewelry component showing our new design; and,

FIG. 24 is a top plan view of the tenth embodiment.

It being understood that the broken lines are for illustrative purposes only and form no part of the claimed design.

1 Claim, 3 Drawing Sheets



US D510,712 S

U.S. PATENT DOCUMENTS				FOREIGN PATENT DOCUMENTS			
D14,818 S	2/1884	Merril	D11/91	2,775,093 A	12/1956	Kundert	
439,139 A	10/1890	Gaynor		2,852,923 A	9/1958	Gamelsky	63/20
569,495 A	10/1896	Gunther		D184,930 S	4/1959	Gonicberg	D45/4
572,237 A	12/1896	Adams		D186,903 S	12/1959	Hess	D45/4
D32,439 S	4/1900	Gay		3,025,820 A	3/1962	Rosenthal	113/116
D32,649 S	5/1900	McCutchen et al.		D202,723 S	11/1965	Gaston	D45/4
795,109 A	7/1905	Dover		3,368,344 A	2/1968	Graetz	59/78
813,084 A	2/1906	Dover		3,483,716 A	12/1969	Stenzler	
851,078 A	4/1907	Dunn		D217,880 S	6/1970	Cowan	D11/1
1,001,583 A	8/1911	Fairbrother		3,670,524 A	6/1972	Korwin	63/18
1,024,048 A	4/1912	Abel		4,154,282 A	5/1979	Kull	164/9
D42,514 S	5/1912	Meyers		4,165,574 A	8/1979	Sciotti	40/21 R
D42,643 S	6/1912	Meyers		D257,017 S	9/1980	Barr	D11/16
1,153,362 A	9/1915	Wacha		D265,639 S	8/1982	Barr	D11/17
1,173,427 A	2/1916	Heyman		D266,954 S	11/1982	Gordan	D26/24
D48,950 S	4/1916	Rosenberger		4,399,910 A	8/1983	Gutentag	206/0.82
1,189,497 A	7/1916	Schwartzman		4,488,415 A	12/1984	Jenkins	
1,344,365 A	6/1920	Wachenheimer		D277,466 S	2/1985	Chien	D11/41
D55,597 S	7/1920	Felger		4,551,993 A	11/1985	Nagahori	63/31
D56,605 S	11/1920	Grasmuk	D54/4	4,566,294 A	1/1986	Brzozowski	63/15
D56,607 S	11/1920	Grasmuk		4,763,489 A	8/1988	Strong	63/4
1,406,073 A	2/1922	Pfaus et al.		4,781,038 A	11/1988	Branca et al.	63/26
1,410,366 A	3/1922	Buchman		D314,528 S	2/1991	Chia et al.	D11/93
1,433,521 A	10/1922	Albanese		D314,730 S	2/1991	Chia et al.	D11/93
1,441,556 A	1/1923	Bossner		D314,929 S	2/1991	Chia et al.	D11/6
1,443,654 A	1/1923	Schmidt		D317,139 S	5/1991	Chia et al.	D11/93
1,452,058 A	4/1923	Willis		D317,423 S	6/1991	Chia et al.	D11/93
1,467,468 A	9/1923	Blanchard		D319,033 S	8/1991	Chia et al.	D11/93
1,556,465 A	10/1925	Wendel		5,056,337 A	10/1991	Nhaissi	63/26
1,570,776 A	1/1926	Peters		D322,043 S	12/1991	Chia et al.	D11/93
1,570,932 A	1/1926	Anderson et al.		D325,180 S	4/1992	Chia et al.	D11/93
1,589,423 A	6/1926	Payton		D325,709 S	4/1992	Chia et al.	D11/93
D70,779 S	8/1926	Speidel		D325,710 S	4/1992	Chia et al.	D11/93
D76,664 S	10/1928	Chase		D325,711 S	4/1992	Chia et al.	D11/93
D77,434 S	1/1929	Rice		D325,886 S	5/1992	Chia et al.	D11/93
1,701,610 A	2/1929	Forstner		D329,026 S	9/1992	Chia et al.	D11/12
1,710,660 A	4/1929	Guyot		D329,206 S	9/1992	Chia et al.	D11/93
1,797,352 A	3/1931	Linhart		D329,401 S	9/1992	Chia et al.	D11/93
D84,213 S	5/1931	Speidel		D331,726 S	12/1992	Chia et al.	D11/93
1,842,427 A	1/1932	Sammartino		D335,639 S	5/1993	Chia et al.	D11/93
1,854,958 A	4/1932	Santosuosso		D336,057 S	6/1993	Chia et al.	D11/93
1,892,738 A	1/1933	Schnarr		D336,059 S	6/1993	Chia et al.	D11/93
1,901,345 A	3/1933	Carlson		D336,060 S	6/1993	Chia et al.	D11/93
1,981,696 A	11/1934	Harper	41/10	D337,069 S	7/1993	Chia et al.	D11/93
D110,568 S	7/1938	Garfinkel		D337,070 S	7/1993	Chia et al.	D11/93
D117,577 S	11/1939	Sand		D337,283 S	7/1993	Keshishian	D11/93
D119,286 S	3/1940	Somers		D337,546 S	7/1993	Keshishian	D11/93
2,273,227 A	2/1942	Simmons	63/26	D337,547 S	7/1993	Keshishian	D11/93
D131,750 S	3/1942	Hobe		D338,852 S	8/1993	Keshishian	D11/93
D131,847 S	3/1942	Hobe		5,355,698 A	10/1994	Edmark	63/29.1
D143,583 S	1/1946	Feingold	D3/4	5,365,754 A	11/1994	Nalbandian	63/26
D143,588 S	1/1946	Grun	D45/4	5,452,572 A	9/1995	Alvaro et al.	59/80
D143,750 S	2/1946	Philippe	D45/9	5,531,065 A	7/1996	Rozenwasser	59/80
D144,901 S	6/1946	Braunstein	D45/4	D379,074 S	5/1997	Udco	D11/91
D145,426 S	8/1946	Braunstein	D45/4	D388,016 S	12/1997	Kejajian	D11/91
D146,779 S	5/1947	Slater	D45/4	5,694,791 A	12/1997	Esposito	63/3
2,429,393 A	10/1947	Cedar	59/79	5,806,345 A	9/1998	Bonchek	
D151,904 S	11/1948	Katz	D45/4	D406,247 S	3/1999	Chia et al.	D11/93
D155,873 S	11/1949	Chernow	D45/16	5,992,177 A	11/1999	Beard	
D156,650 S	12/1949	Pearce et al.	D45/4	D418,445 S	1/2000	Chia et al.	D11/93
D156,744 S	1/1950	Kent	D42/8	D418,446 S	1/2000	Chia et al.	D11/93
D159,528 S	8/1950	Philippe	D45/19	D423,981 S	5/2000	Chia et al.	D11/93
D159,582 S	8/1950	Boucher		6,116,054 A	9/2000	Czupor	
D160,241 S	9/1950	Bardach	D45/16				
2,526,134 A	10/1950	Henry	63/32				
2,538,090 A	1/1951	Ferragamo	63/4				
D165,468 S	12/1951	Katz	D45/19				
2,584,207 A	2/1952	Holl	63/27				
2,634,593 A	4/1953	Moretti	63/4				
D176,664 S	1/1956	Katz	D45/16				

GB 2 070 344 A 9/1981 H02G/3/04
 GB 2 077 441 A 12/1981 G01R/33/06
 WO 00/38551 A1 7/2000 A44C/17/02

OTHER PUBLICATIONS

All Karats International; Edizioni, Primavera–Estate/
 Spring–Summer, Sixth Edition: “Diamond Necklace”; 2
 pages including cover (1998).
 California Gold Center; Bezel–set jewelry; 1 page.
 Caroline Ballou Collection; 18K Tribal Interpretations; and
 Barnett Robinson, Inc.; 18k yellow gold and platinum rings
 (1 page).
 “Charms” catalog by Americas GOLD; Item #136–20; p.
 136.
 Corona; Corona’s Lasting Treasures Collection; Item SS
 424 of.
 Crafford Precision Products Co.; “Laser Spot–Welding Sys-
 tems”; (1997).
Fancy Catalog, Item Nos. 11111,11112, 11114, p. 111 (total
 14 pages).
 Gervais, J.; “A Little Light Welding”, *AJM*, 4 pages (May
 1998).
 Hans D. Krieger; “JCK Show” catalog insert.
 Hans D. Krieger; “Platinum Classic”; A Promotional
 Supplement to *Jeweler’s Circular Keystone*, p. 178 (May
 1997).
 Jaha Jewelry Inc.; 6 pages total including J6, J10, J13.
 Janet Alix necklace, *Jewelers’ Circular Keystone*, p. 132
 (May 1997).

“Liberty Collections” by Liberty I. Exchange; pp. 4 and 21
 (Item 6ML–588 6.1gr).
 “Love Tears Collection” by Studs, Inc., *Jewelers’ Circular
 Keystone*; diamond solitaire necklaces in 18K gold; (Dec.
 1997).
 Mervyn’s California catalog flyer; #14; Cache fashion
 watch; p. 11 (1998).
National Jeweler; Items #P10529, #84632, (May 16, 1997).
 P.Q.C. Jewelry; *National Jeweler*; Item N362, p. 142 (Jun.
 1, 1998).
Robinson’s May, Earring, Item No. 290131409, Purchased
 Apr. 18, 1999, 3 pages.
 S&R Designs, Inc.; 18k Diamond Flower necklace, earrings,
 and bar bracelet; Styles Europa, 18k 2–one gold ring,
 bracelet, necklace with diamonds; 1 page.
 Superior Diamond Cutters Inc.; *Jewelers’ Circular Key-
 stone*; Platinum and 18k gold slide pendant with diamonds;
 p. 108 (Dec. 1997).
The Gold Book, Oro America, Items HE.142(A) 2.37gr. (89),
 HE.141 (A) 2.37gr. (89), HE.143 (A) 2.89gr. (108), p. 18
 (1996).
The Multi–Color Gold Jewelry Book, Oro America, Earring
 Items: ETR.014 .95(39); ETR.022 1.0(42);
 ETLB.0011.7(71); p. 1.
 The Vatican Library Collection, *Jewelers’ Circumlar Key-
 stone*; Skalet gold; Item 4D and 4I, 1 page.
 Uni–Creation Inc., Emby International Inc. Collection.; 1
 page.

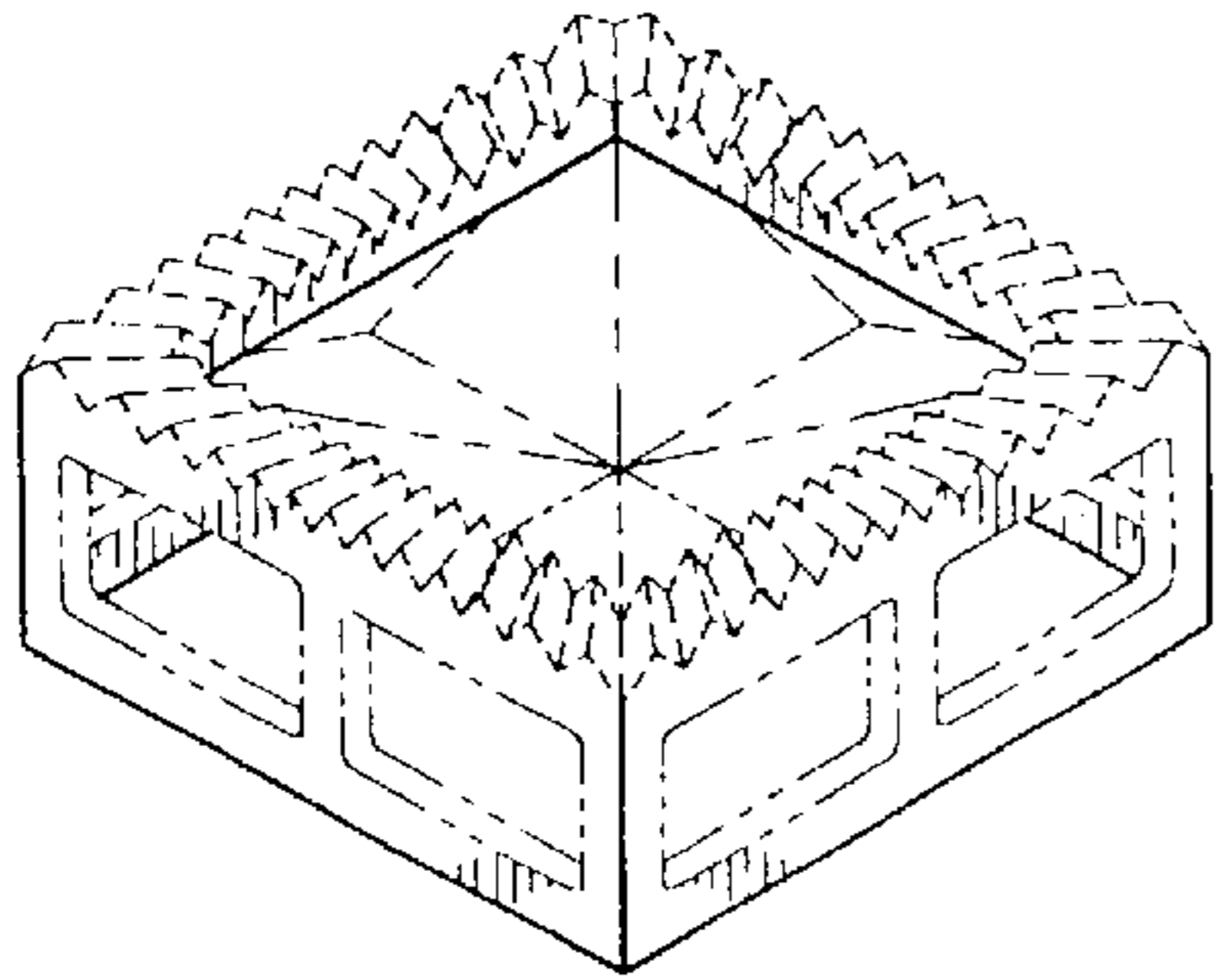


FIG. 1

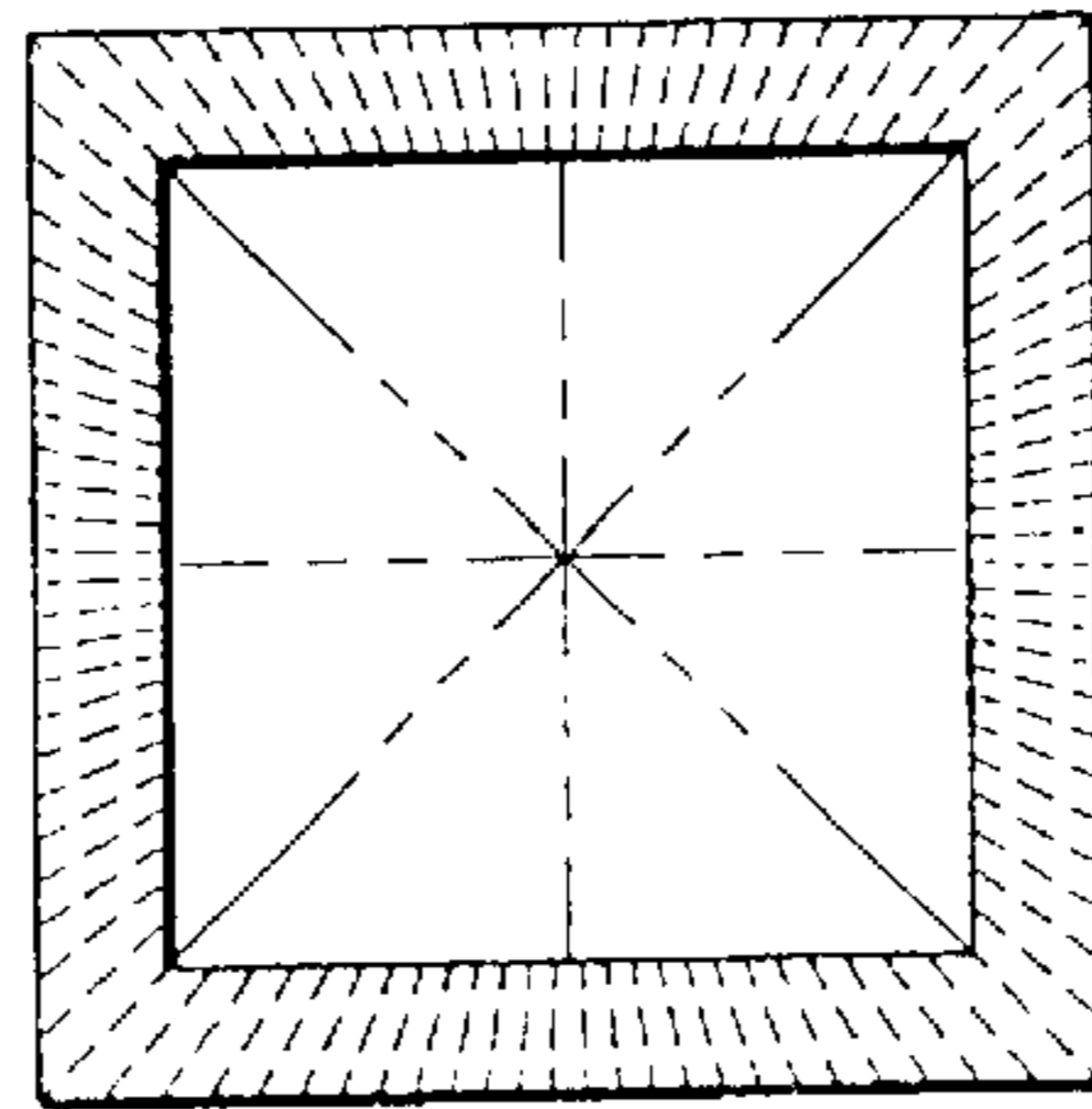


FIG. 2

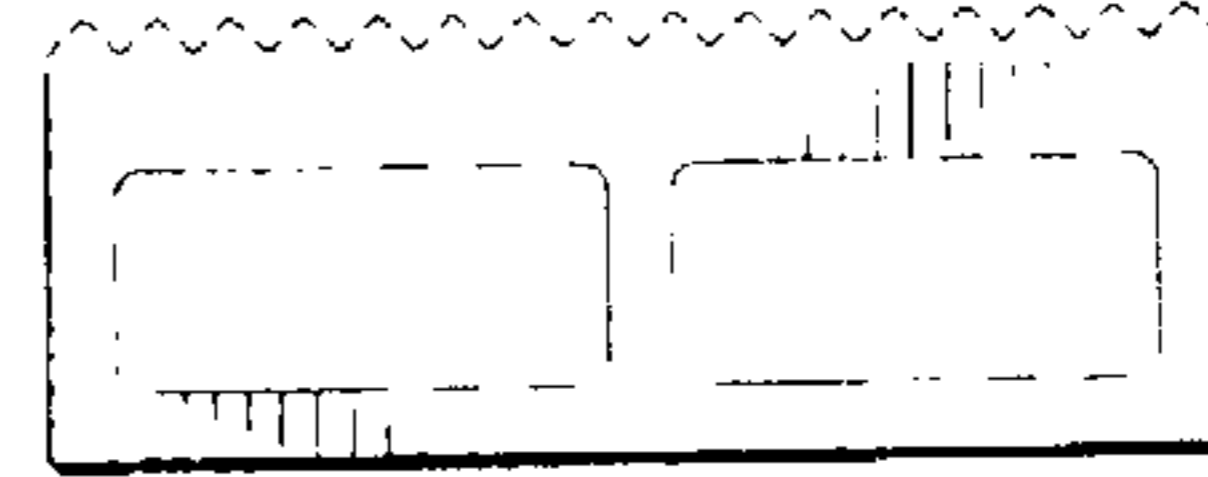


FIG. 3

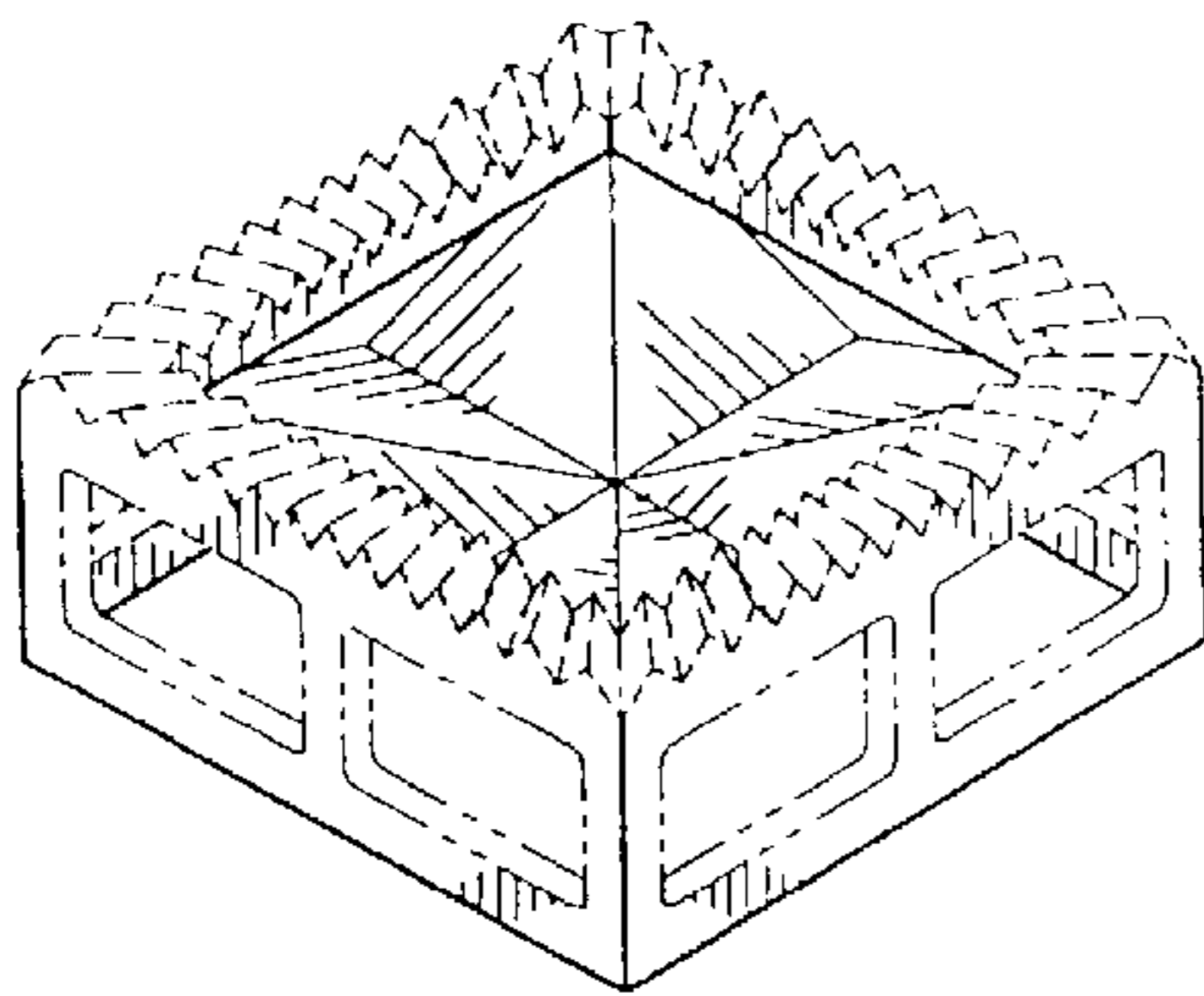


FIG. 4

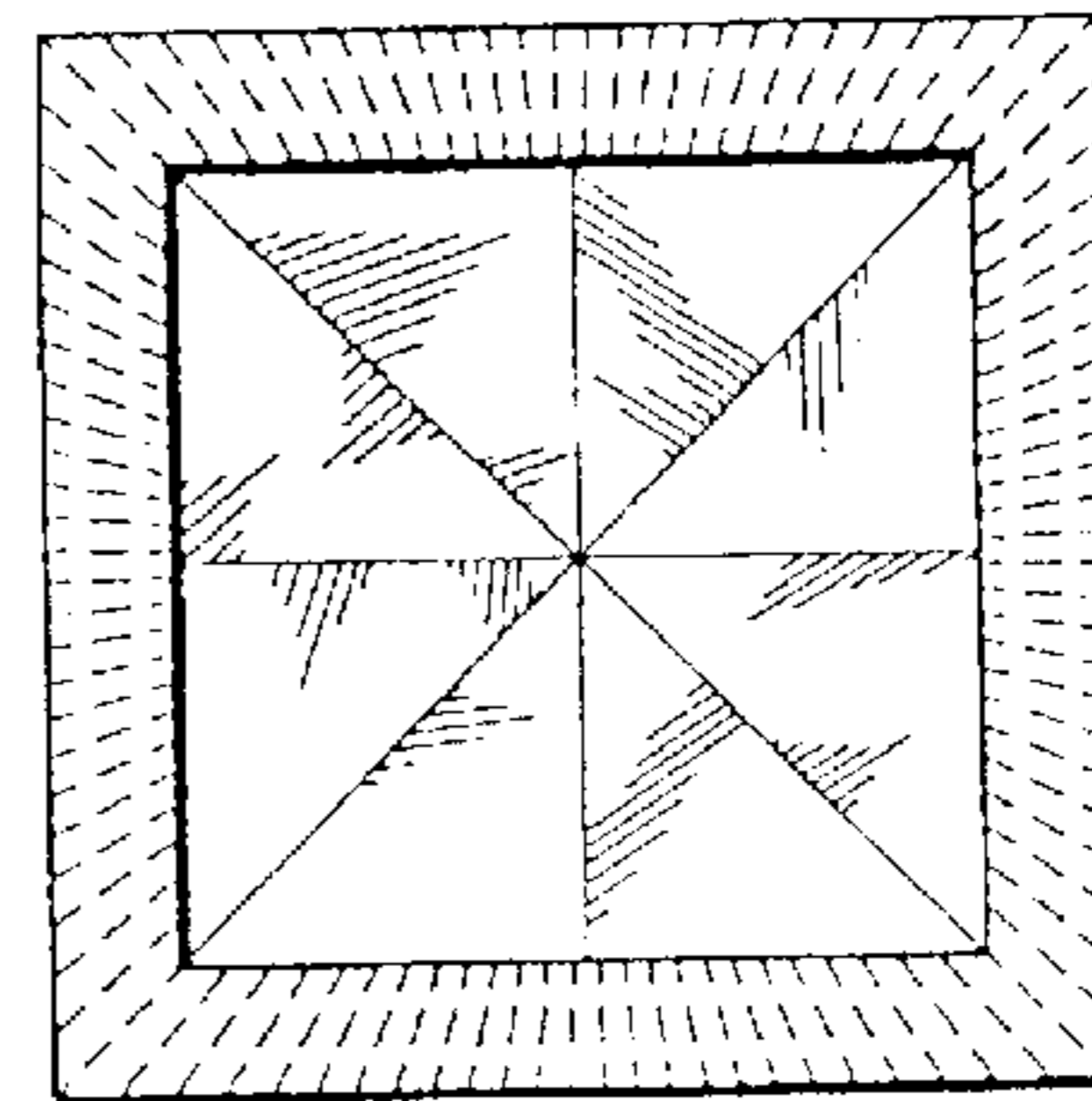


FIG. 5

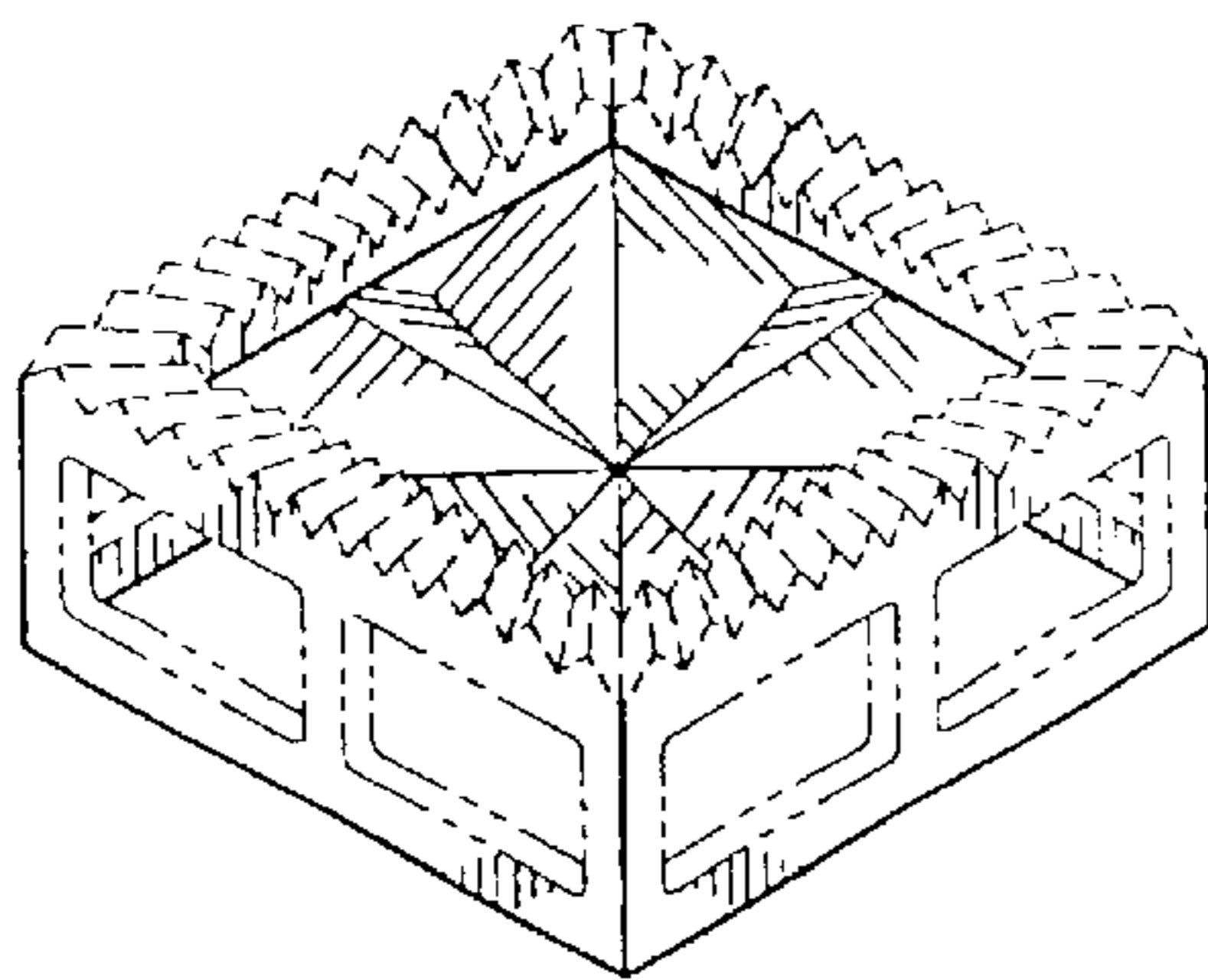


FIG. 6

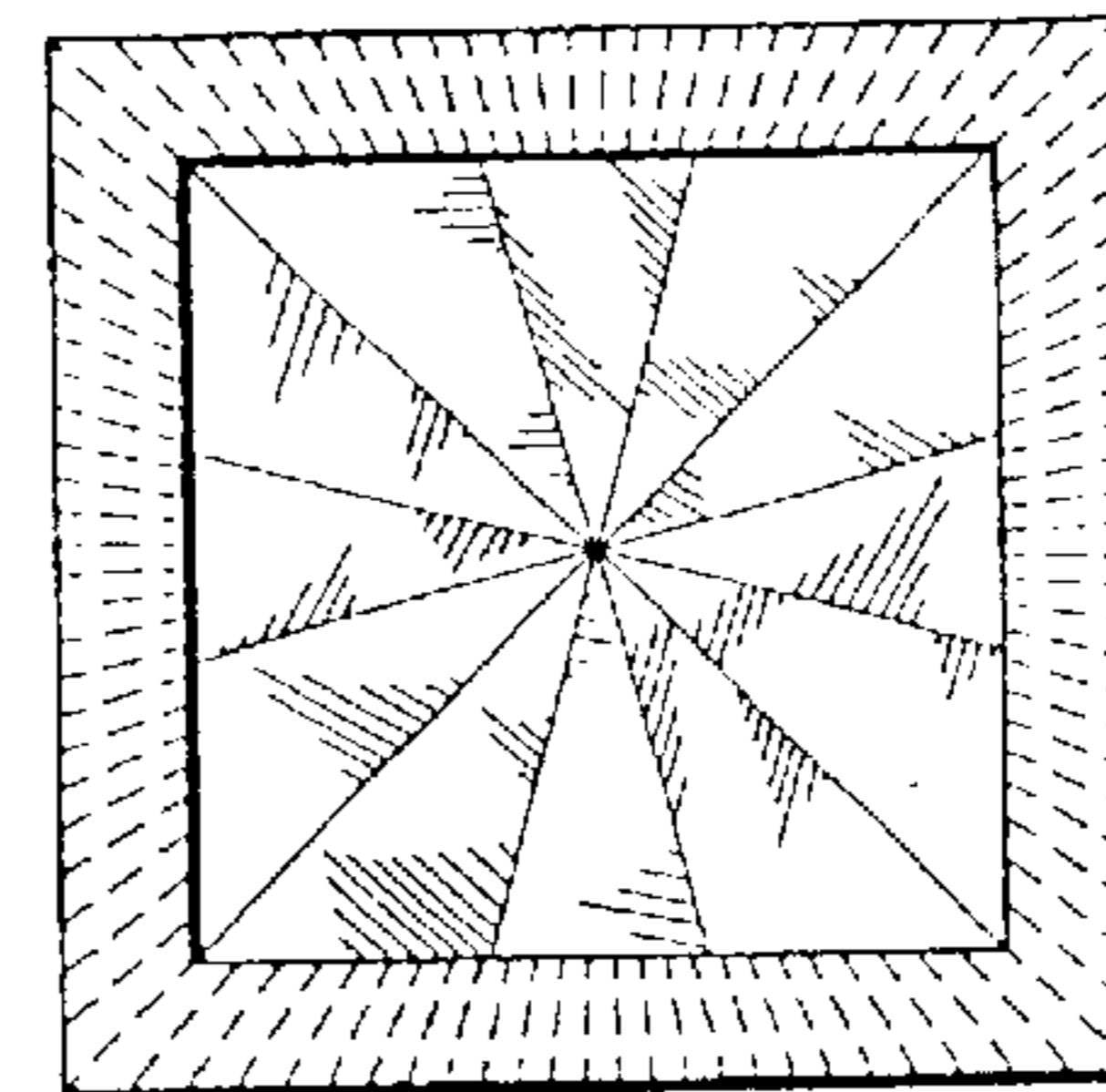


FIG. 7

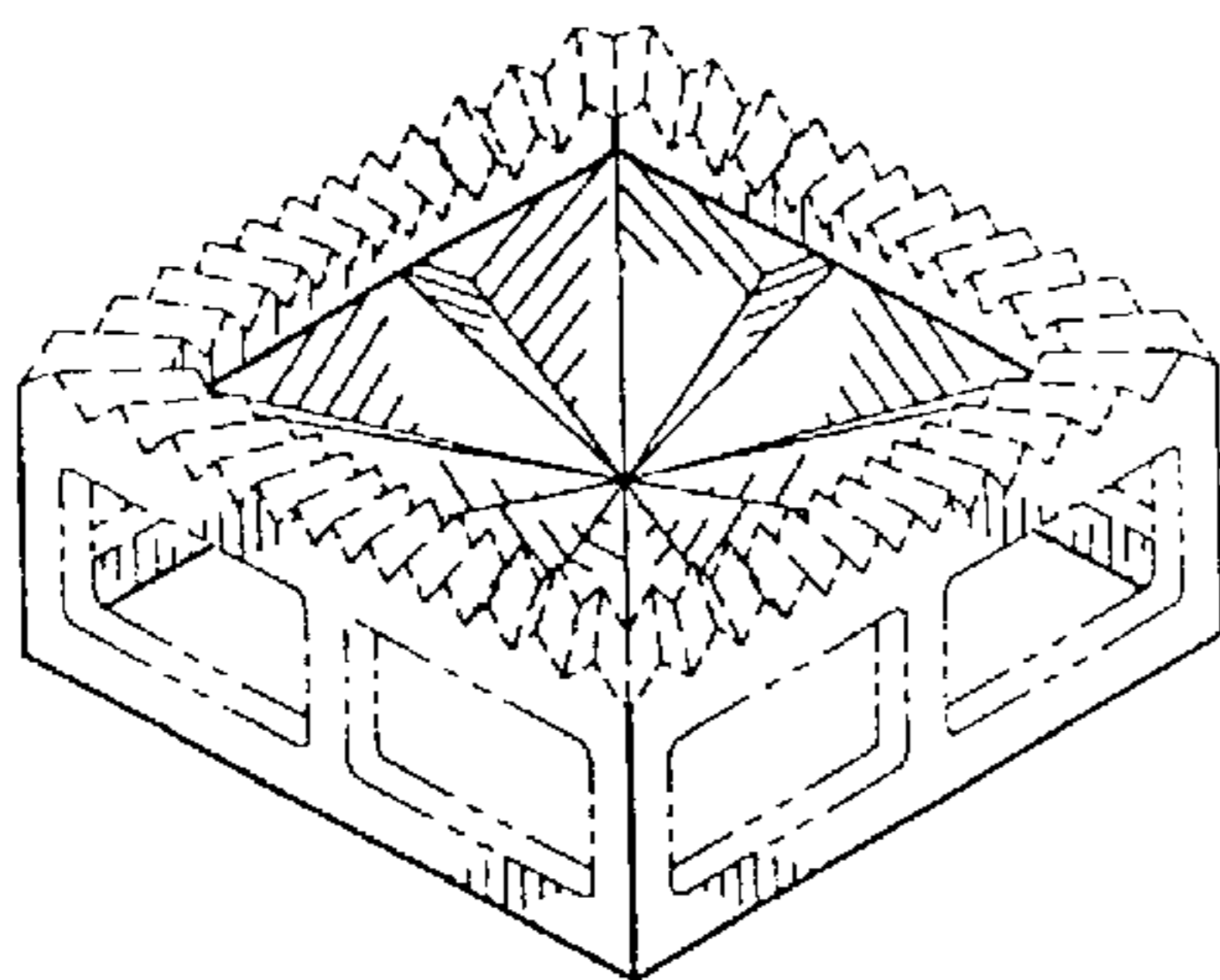


FIG. 8

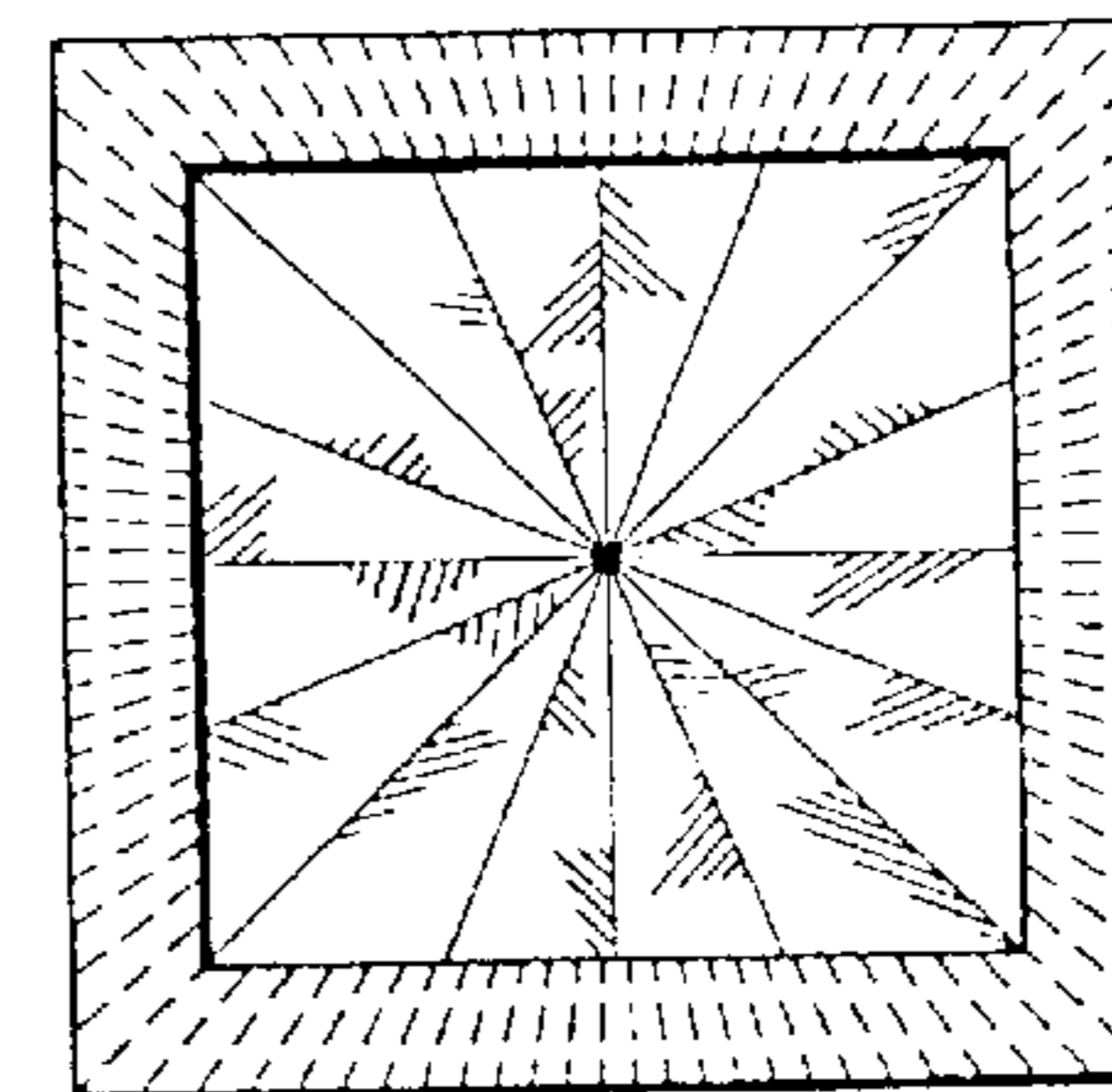


FIG. 9

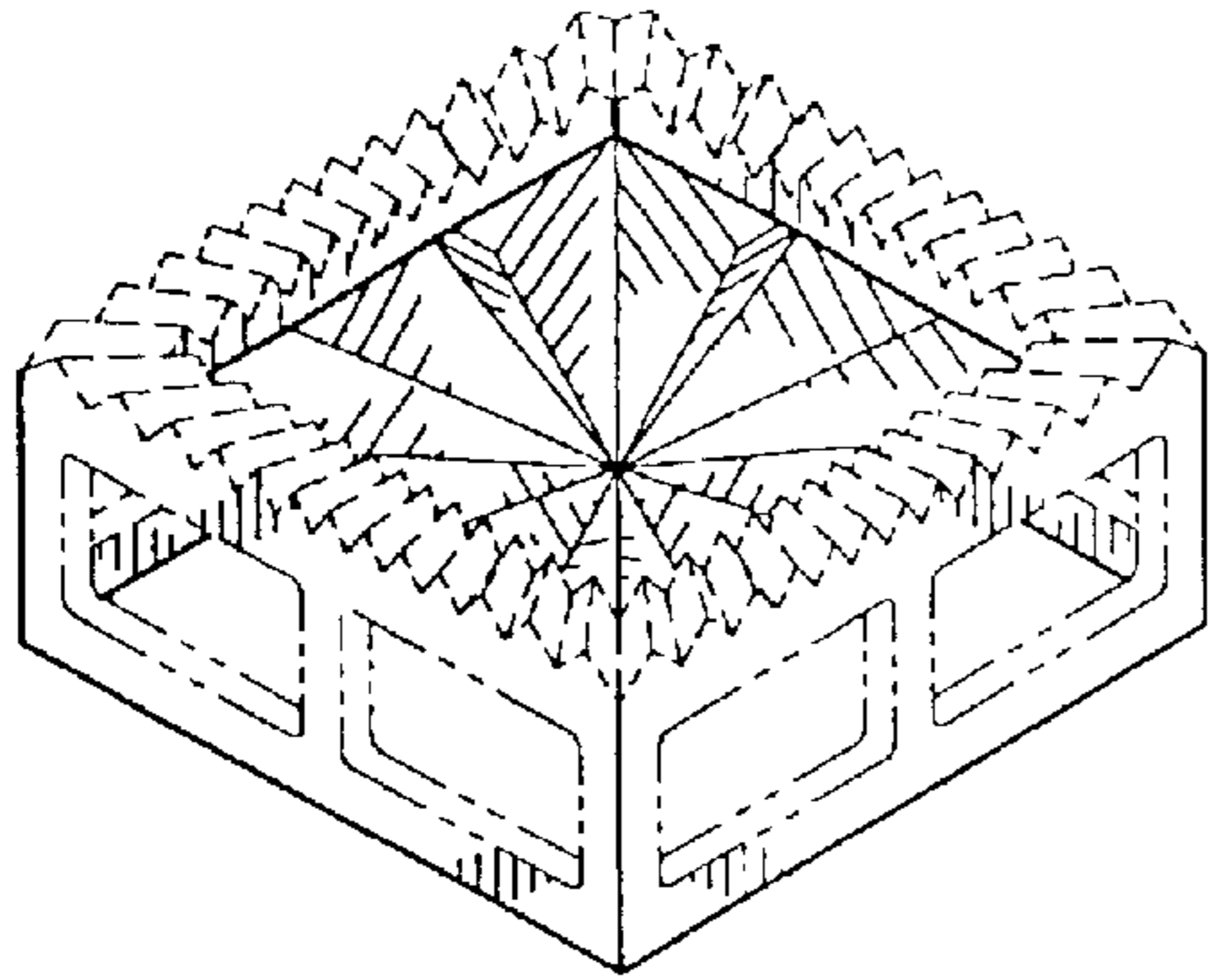


FIG. 10

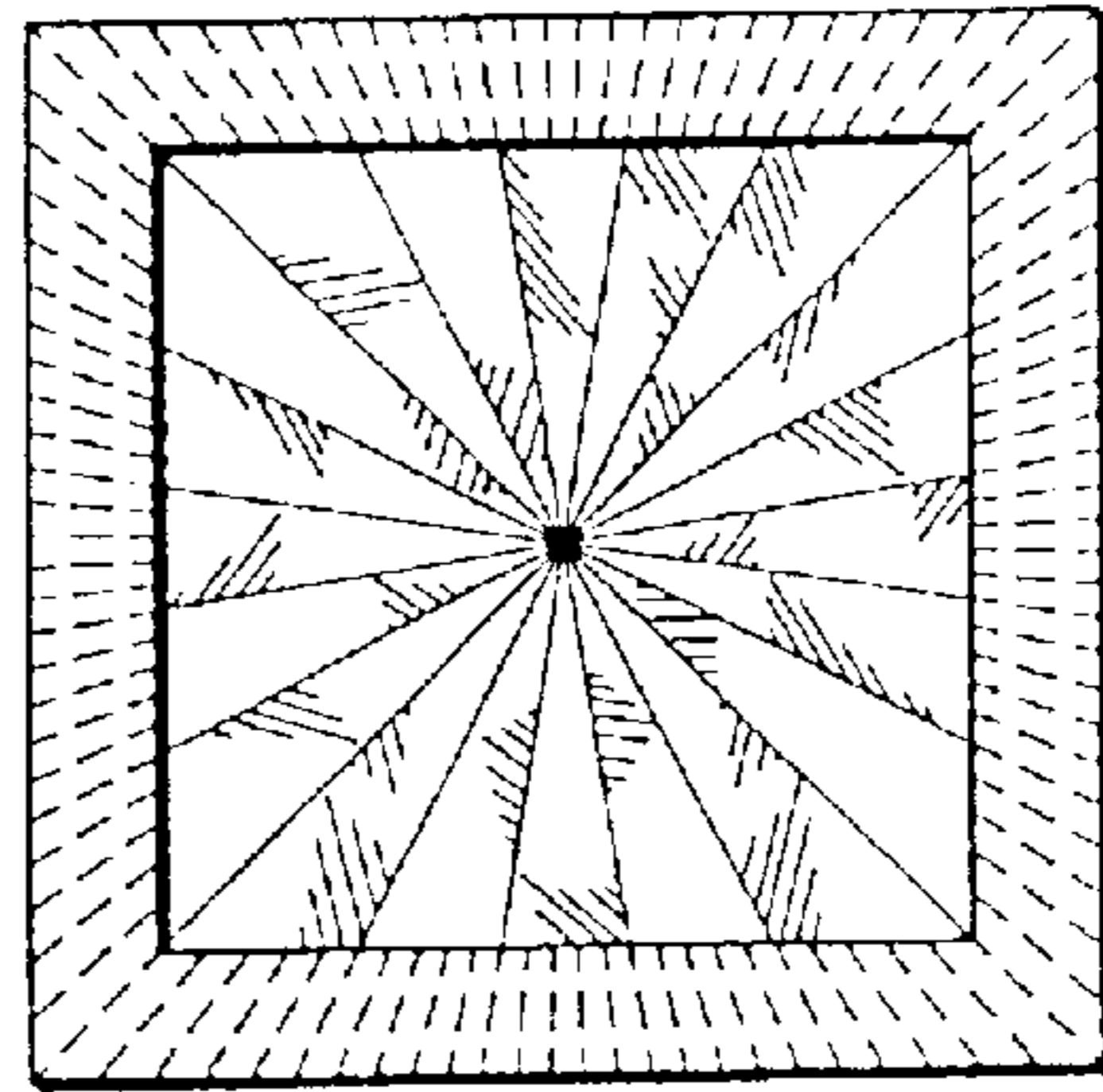


FIG. 11

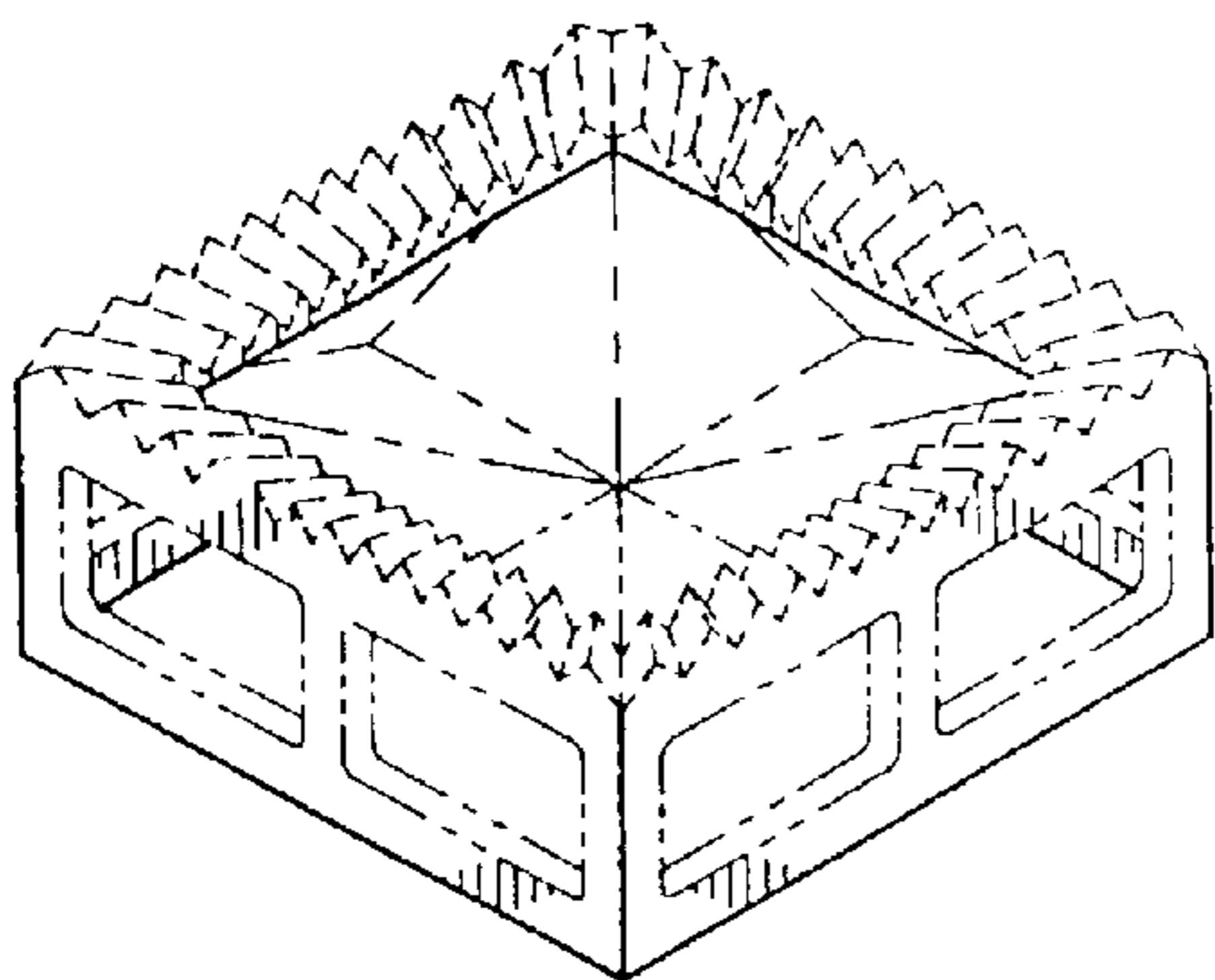


FIG. 12

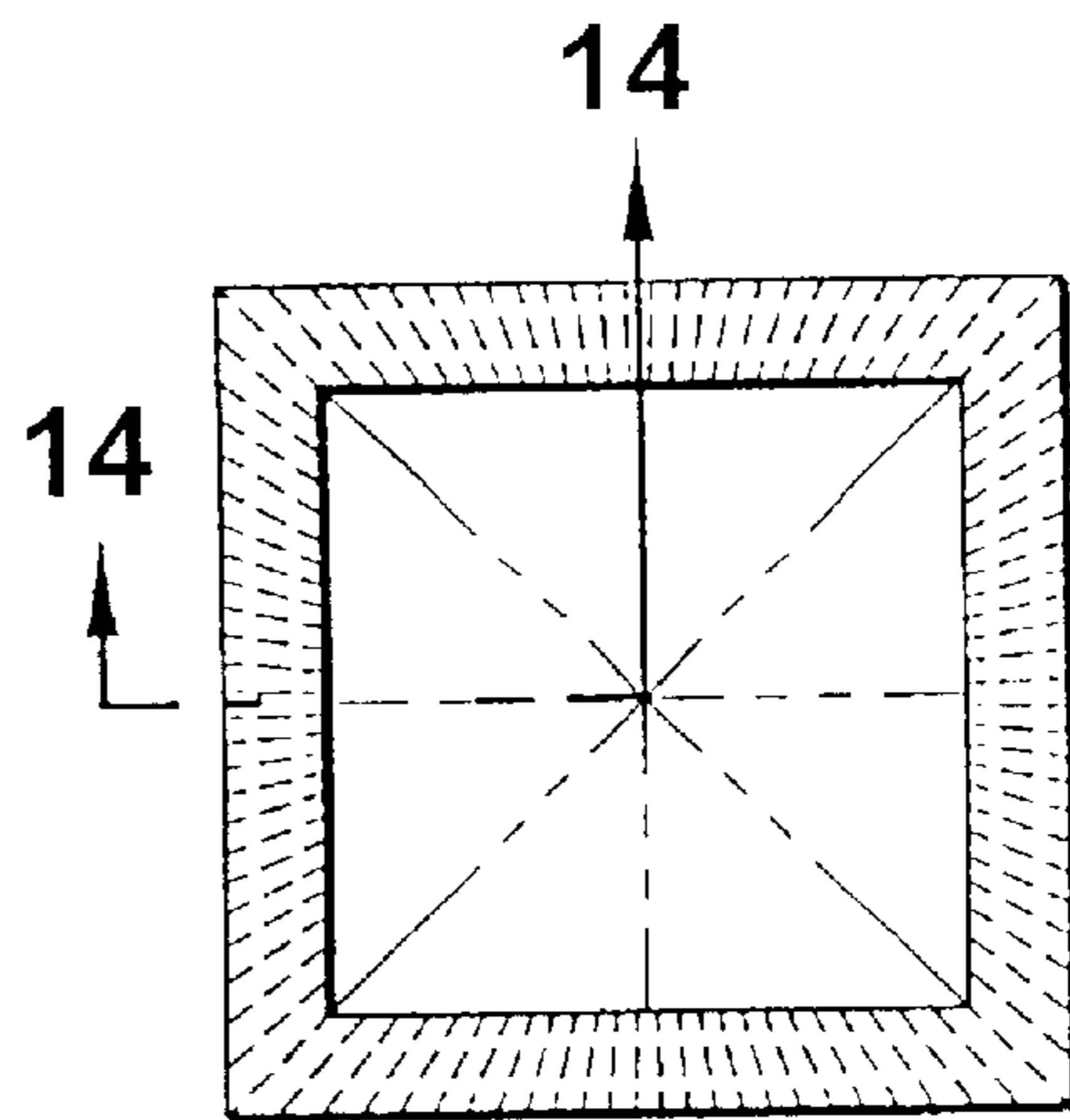


FIG. 13

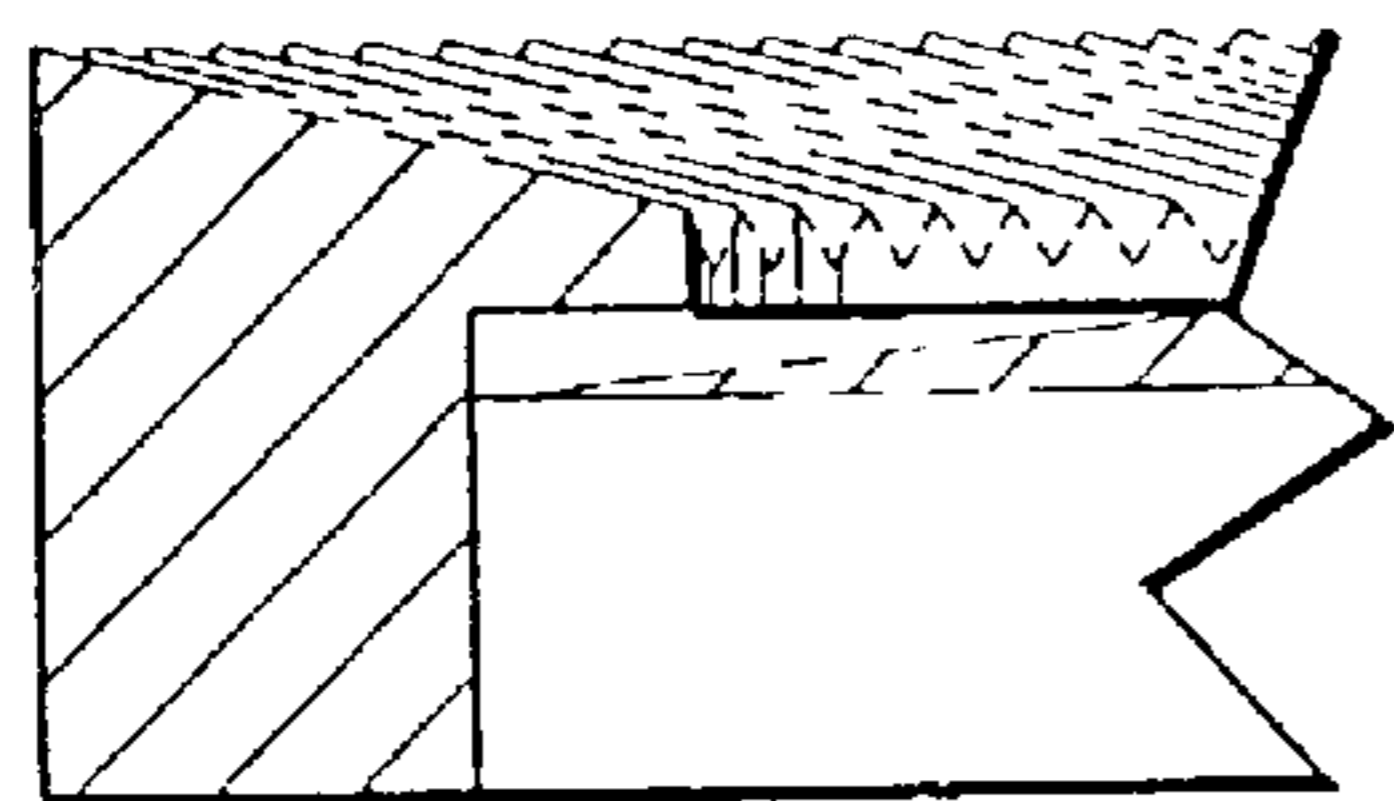


FIG. 14

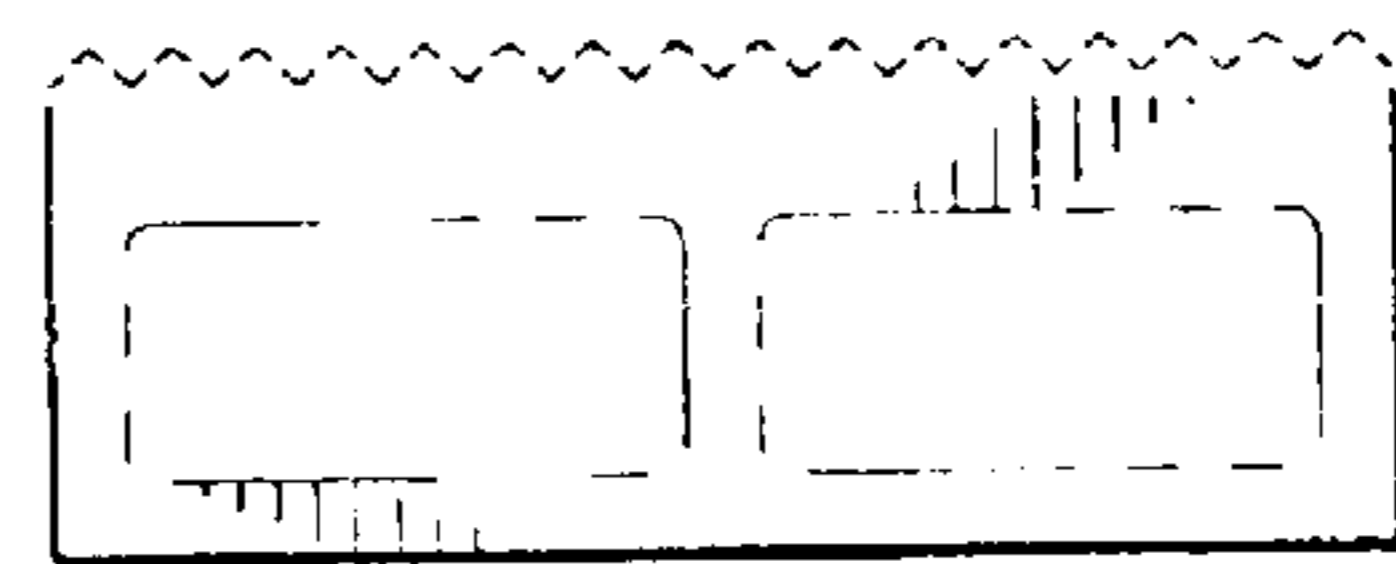


FIG. 15

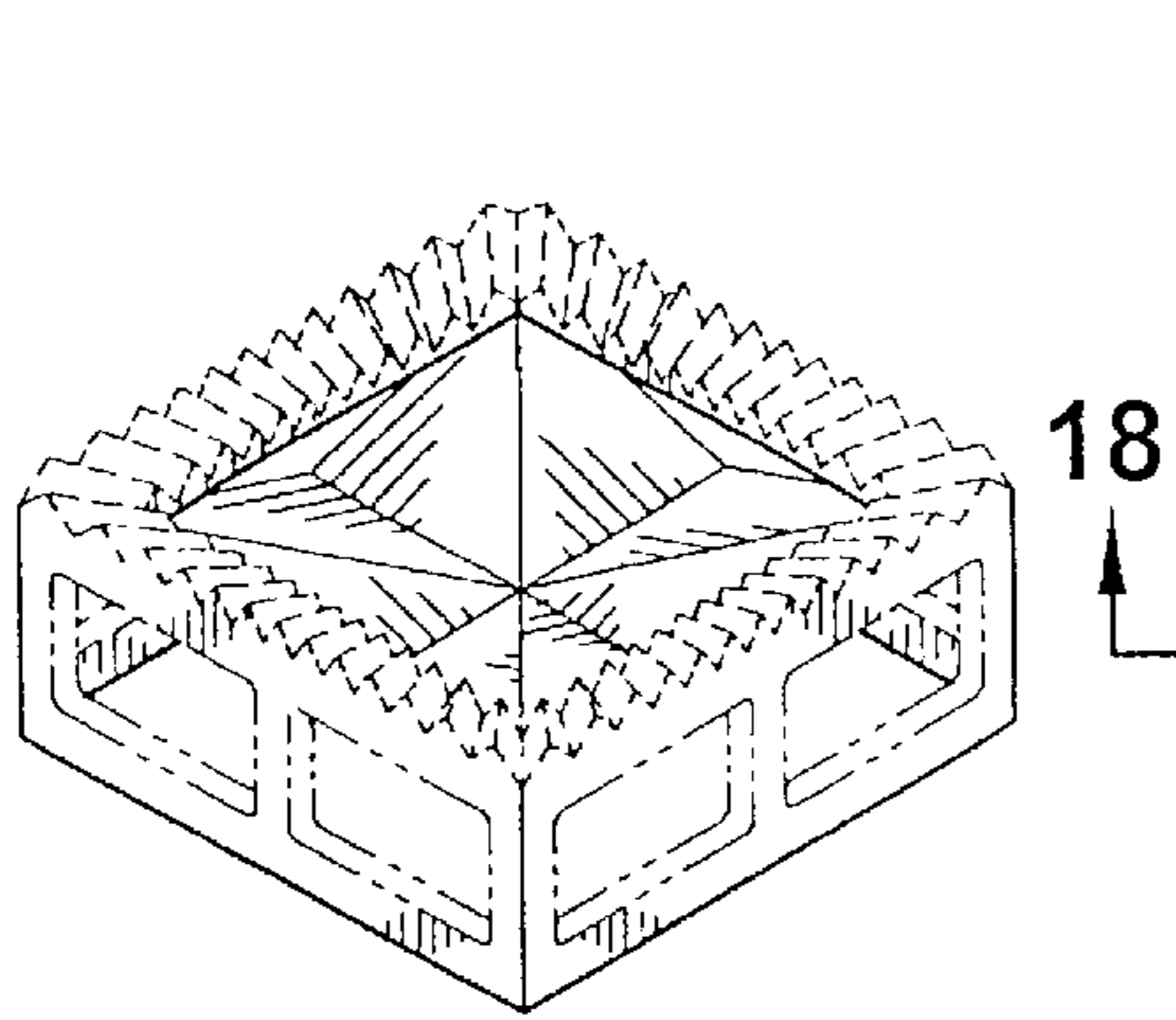


FIG. 16

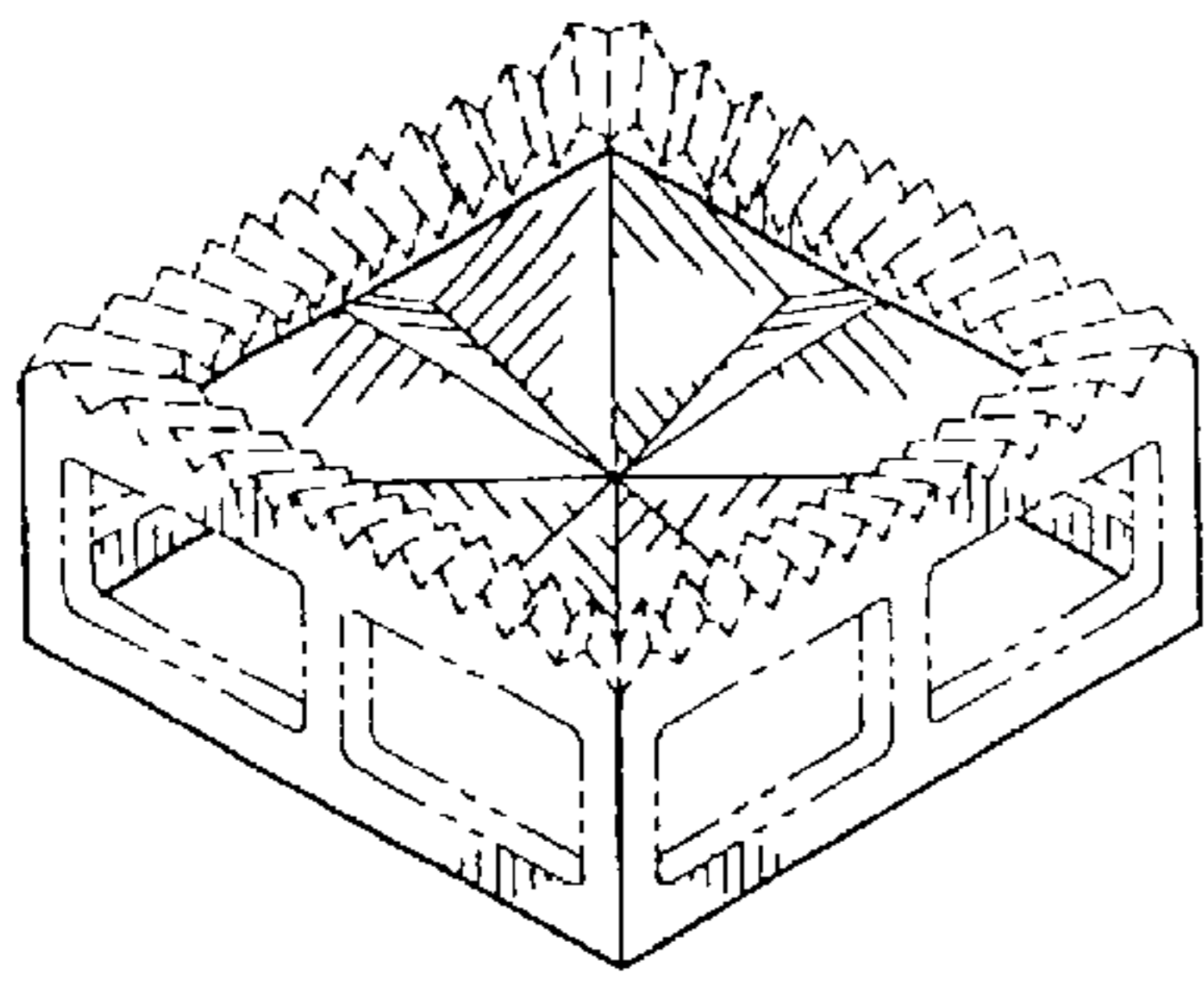


FIG. 19

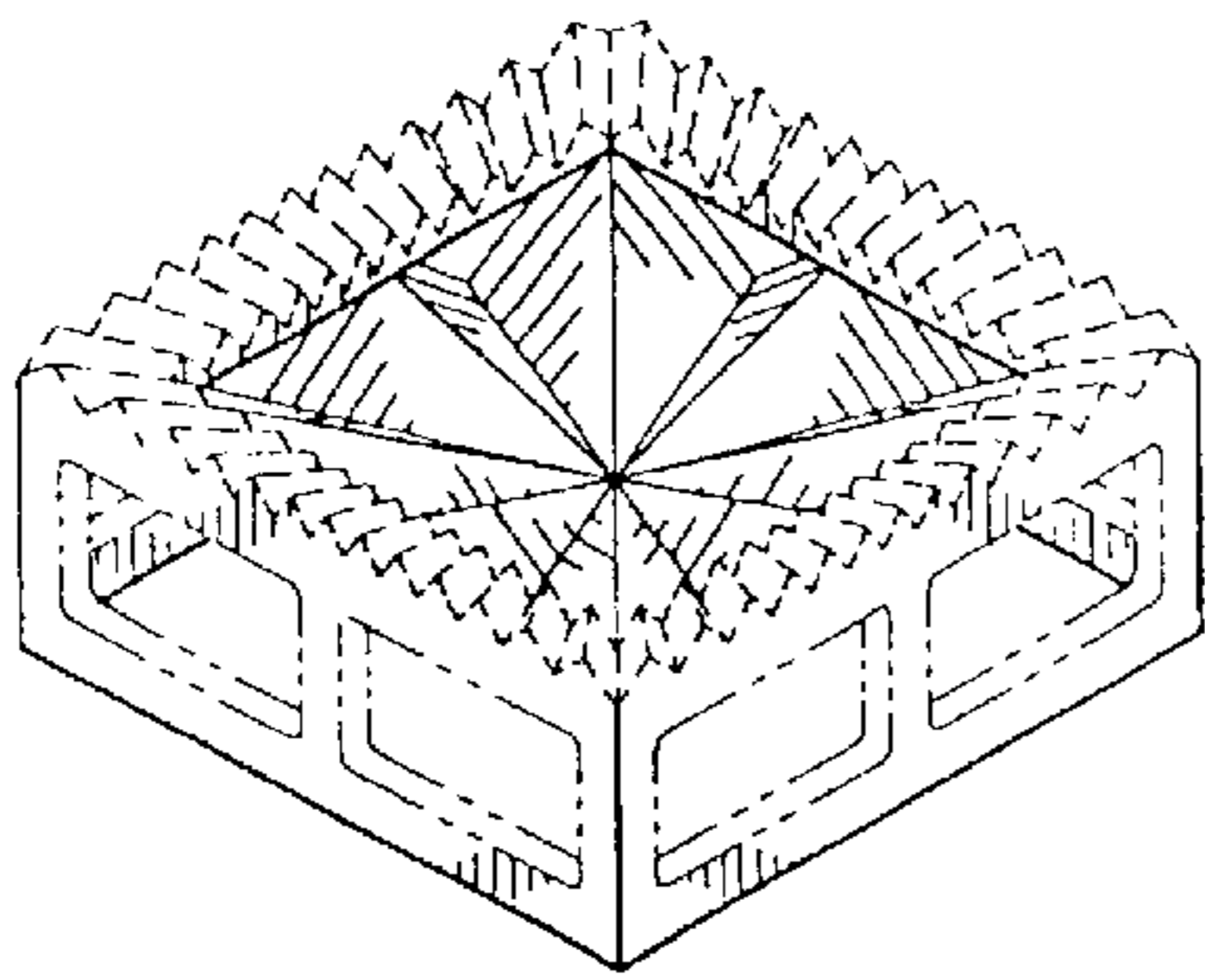


FIG. 21

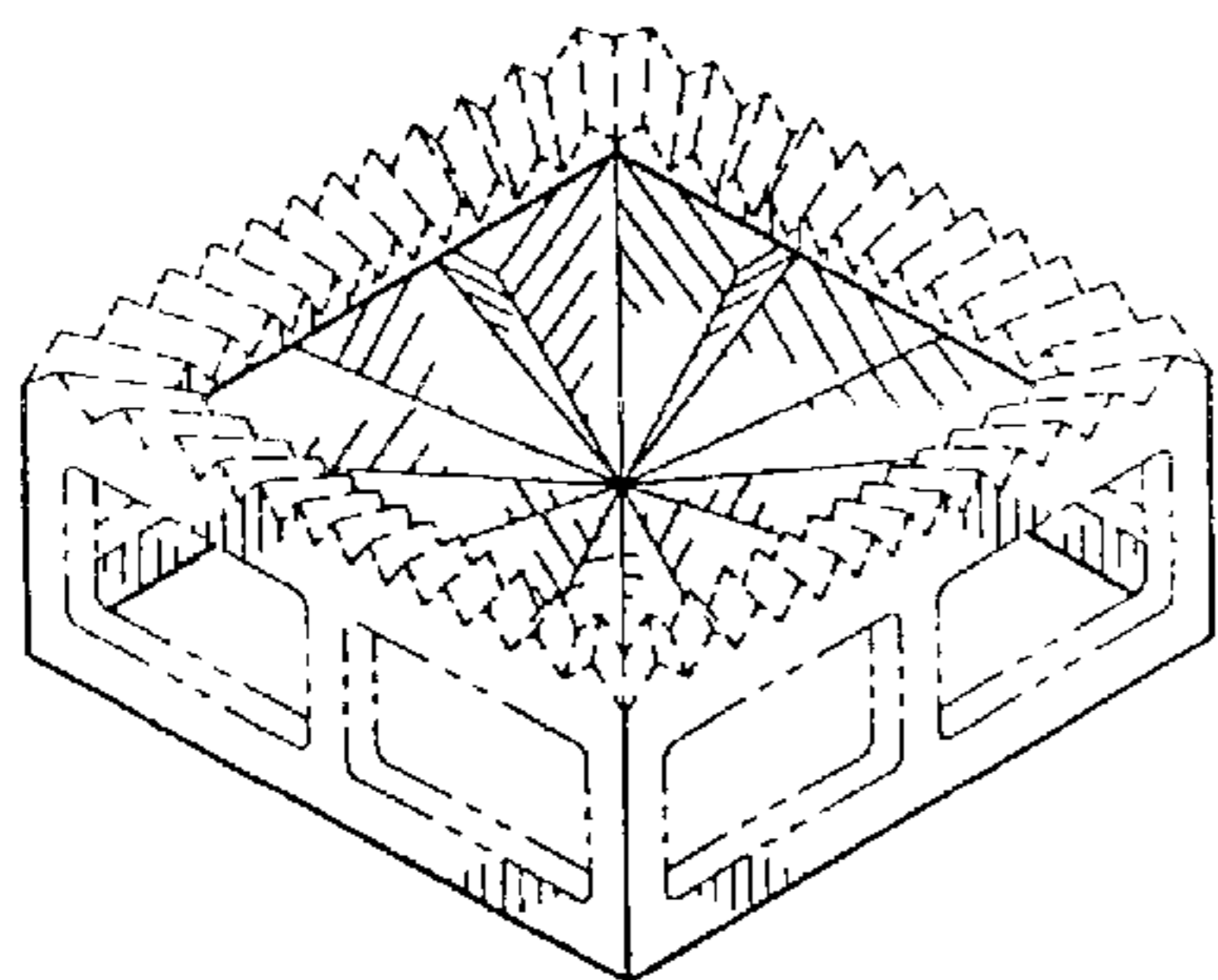


FIG. 23

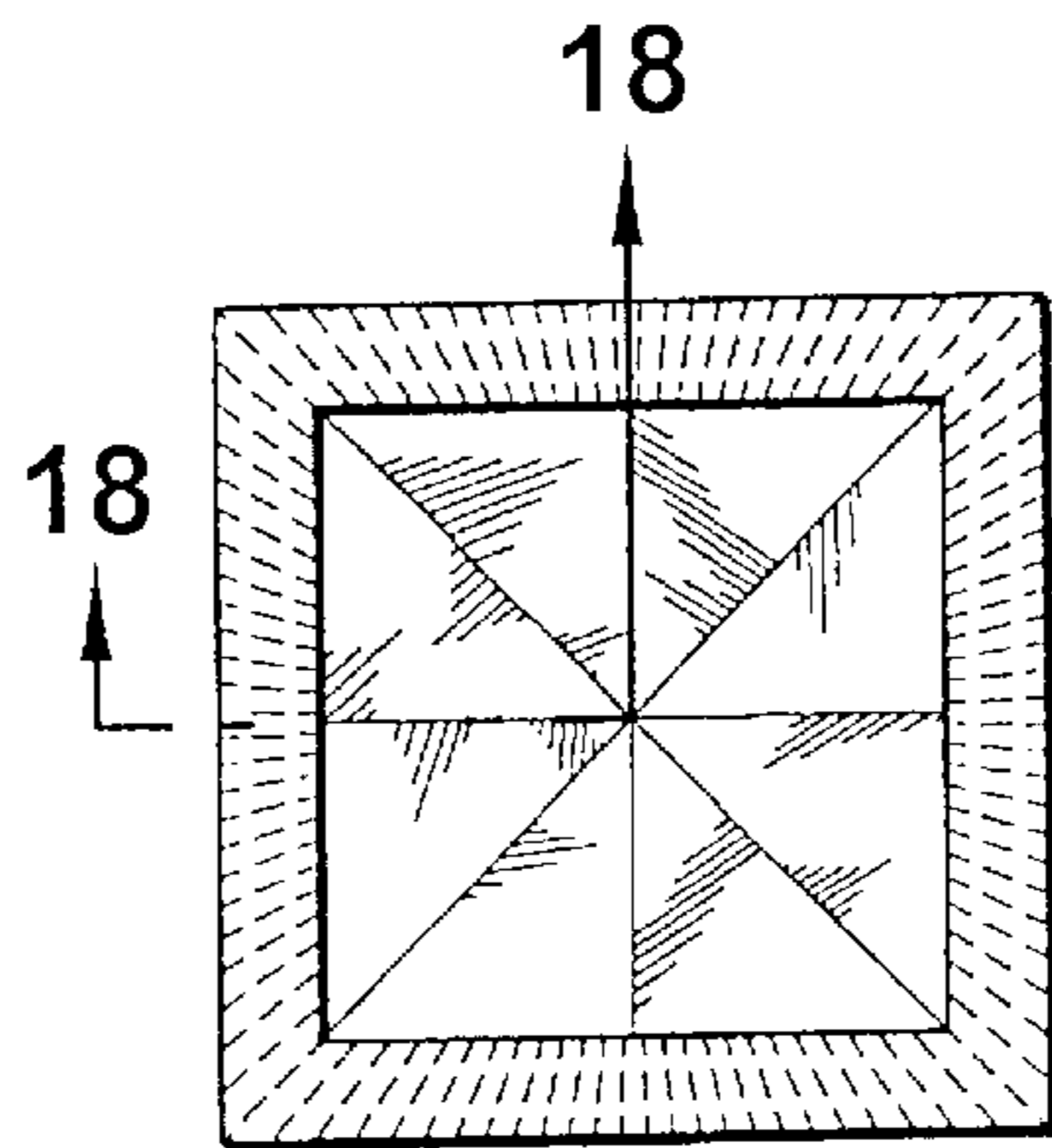


FIG. 17

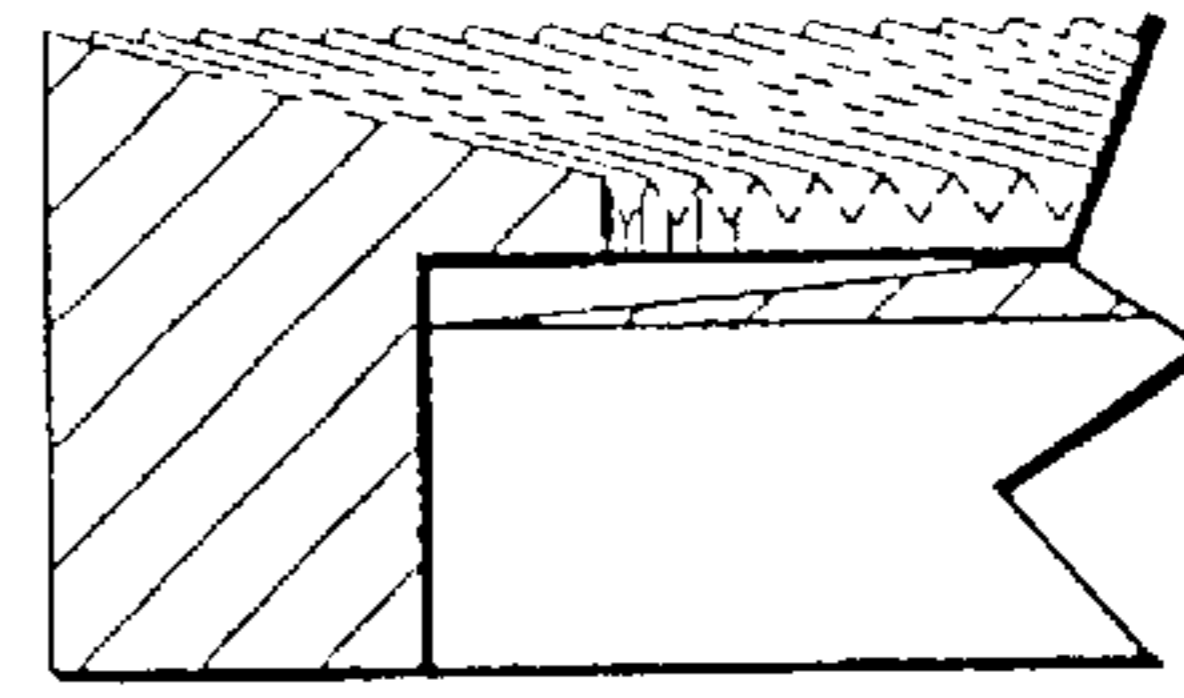


FIG. 18

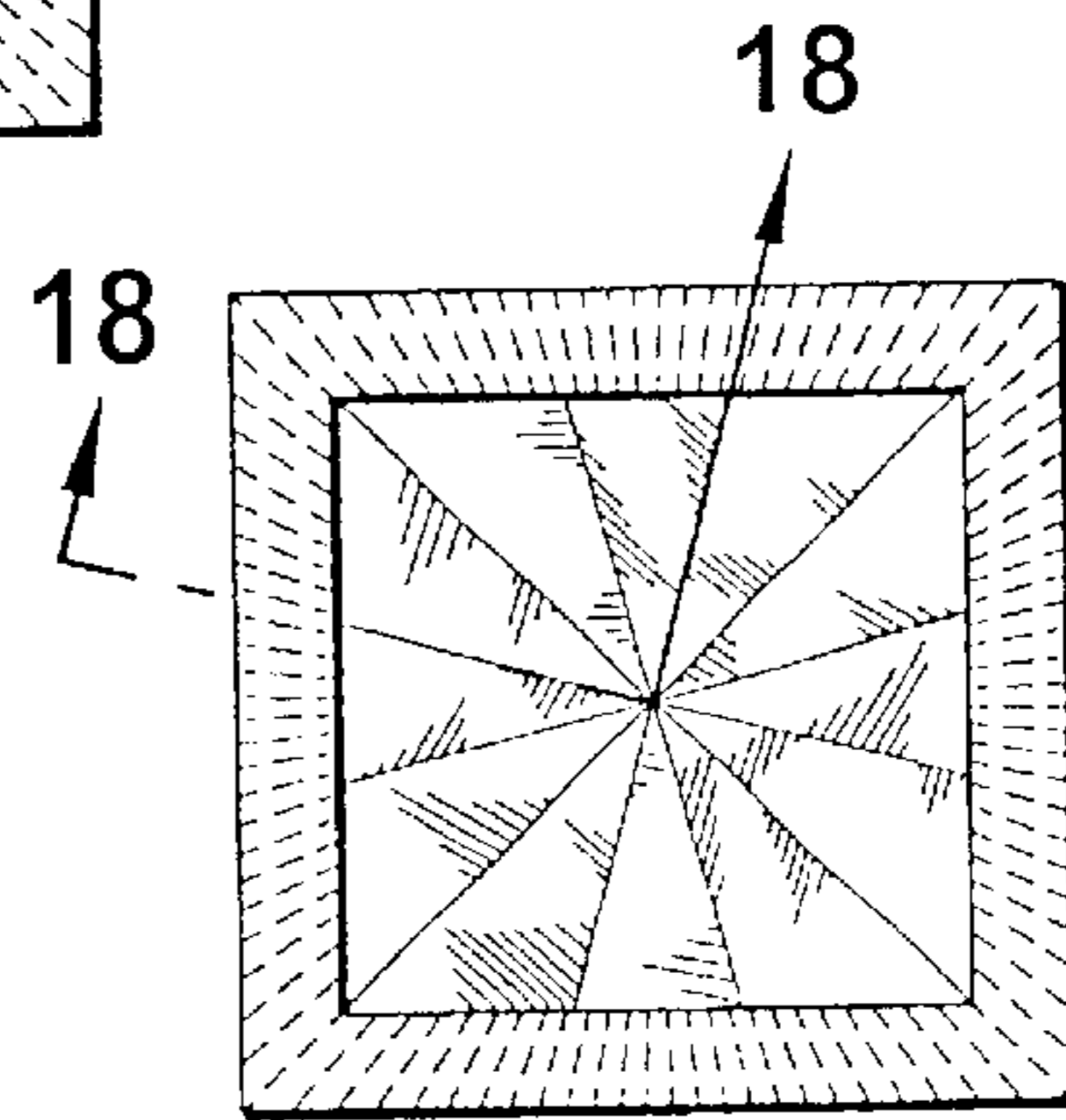


FIG. 20

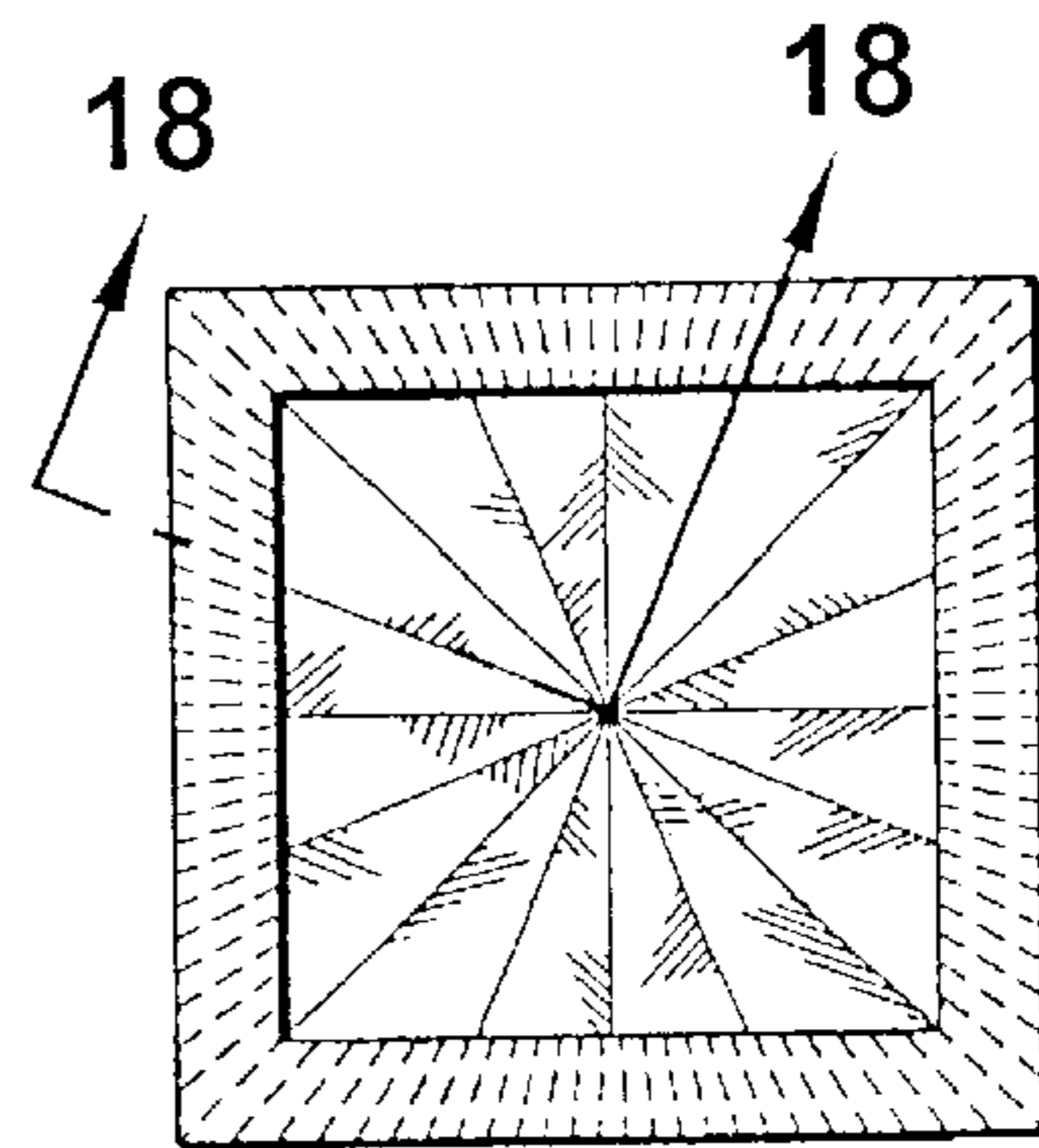


FIG. 22

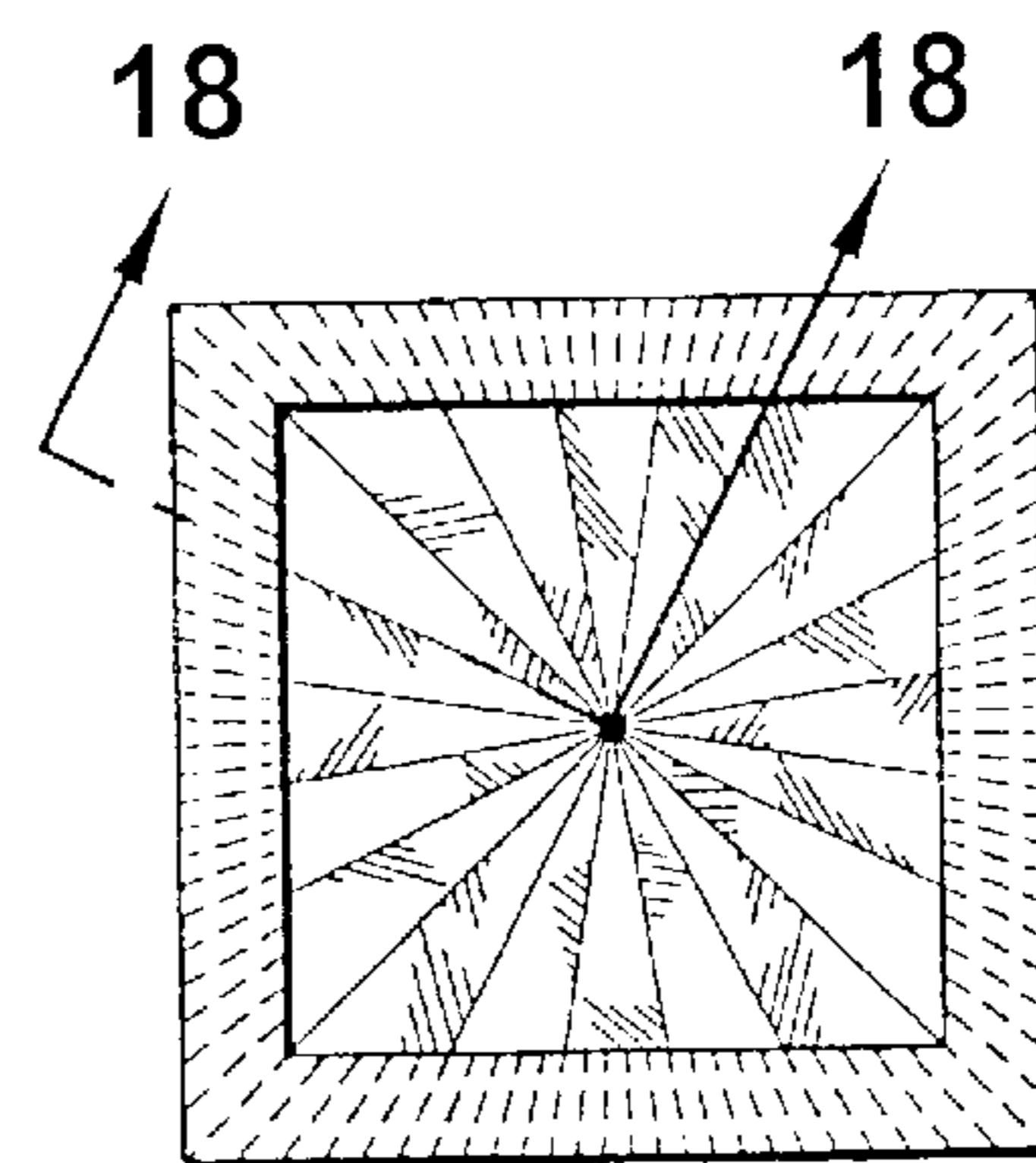


FIG. 24