

US00D510710S

(12) **United States Design Patent** (10) **Patent No.:** **US D510,710 S**
Brass et al. (45) **Date of Patent:** **** Oct. 18, 2005**

(54) **CARPENTER SQUARE**

(74) *Attorney, Agent, or Firm*—Ira S. Dorman

(76) Inventors: **Robert L. Brass**, 45 Calhoun St.,
Washington, CT (US) 06794; **Steven W. Lewis**, 120 Washington Ave.,
Woodbury, CT (US) 06798; **James M. Ferro**, 34 North St., Shelton, CT (US)
06484

(57) **CLAIM**

The ornamental design for a carpenter square, as shown and described.

(**) **Term:** **14 Years**

DESCRIPTION

(21) Appl. No.: **29/222,815**

FIG. 1 is a perspective view of the carpenter square of the invention, upon which are mounted, in a recess and an elongate slot, respectively, a tape measure and a marking pencil, both being shown in dotted line and constituting no part of the claimed design;

(22) Filed: **Feb. 4, 2005**

FIG. 2 is a second perspective view of the carpenter square of the invention;

(51) **LOC (8) Cl.** **10-04**

(52) **U.S. Cl.** **D10/62**

(58) **Field of Search** D10/62, 65; 33/451,
33/460, 470, 474, 476, 480

FIG. 3 is a plan view of the carpenter square;

FIG. 4 is a bottom view of the carpenter square;

(56) **References Cited**

U.S. PATENT DOCUMENTS

- D422,225 S * 4/2000 DiGangi et al. D10/62
- D425,437 S * 5/2000 Defelice D10/65
- 6,725,556 B1 4/2004 Graham

FIG. 5 is a rear elevational view of the carpenter square taken along the longitudinal axis of the pencil slot;

FIG. 6 is a side elevational view of the carpenter square, taken in the direction perpendicular to the longitudinal axis of the pencil slot;

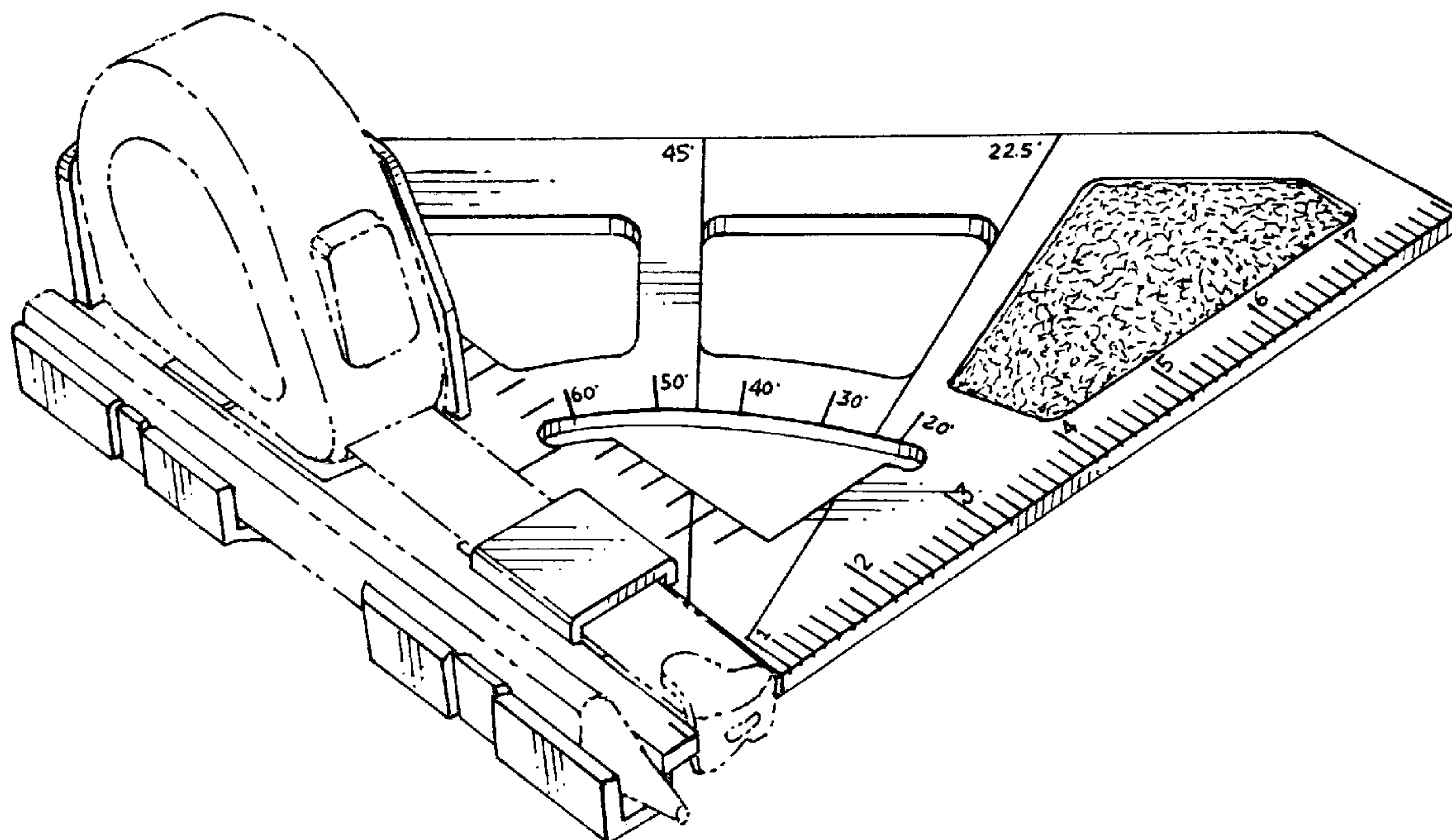
FIG. 7 is a front elevational view of the carpenter square, taken along the longitudinal axis of the pencil slot, from the opposite end; and,

FIG. 8 is an opposite side elevational view of the carpenter square.

* cited by examiner

Primary Examiner—Antoine D. Davis

1 Claim, 3 Drawing Sheets



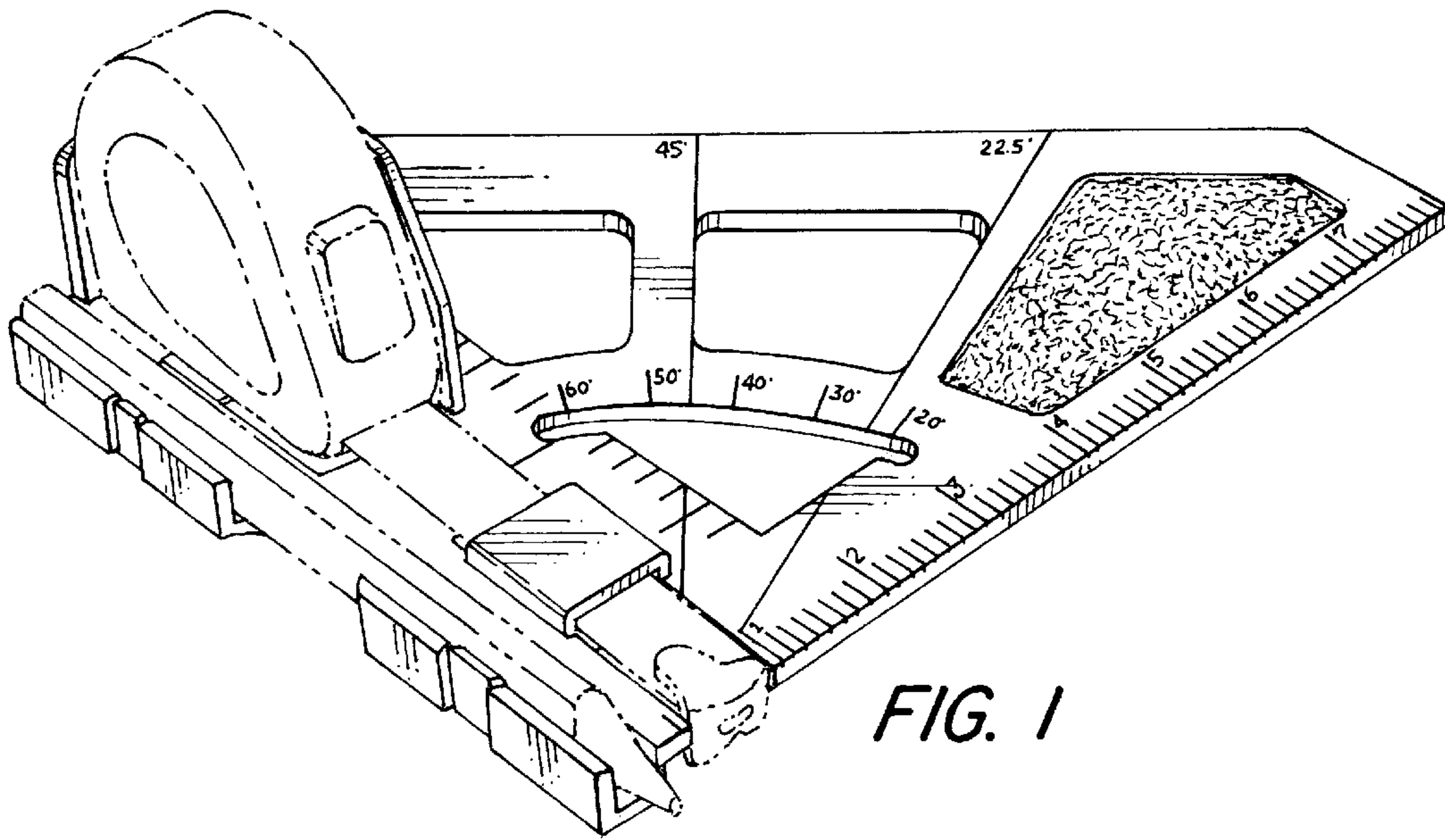


FIG. 1

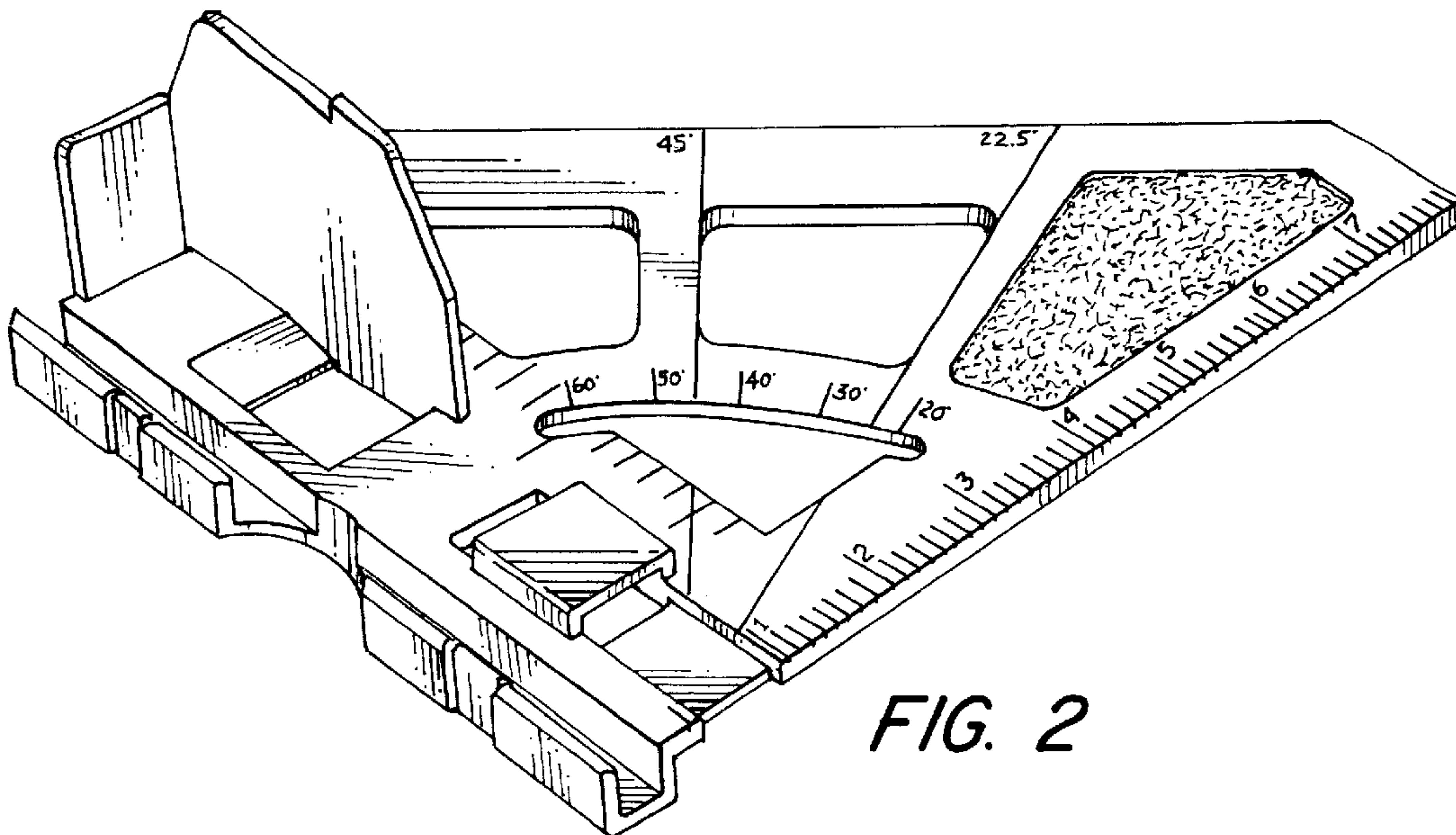


FIG. 2

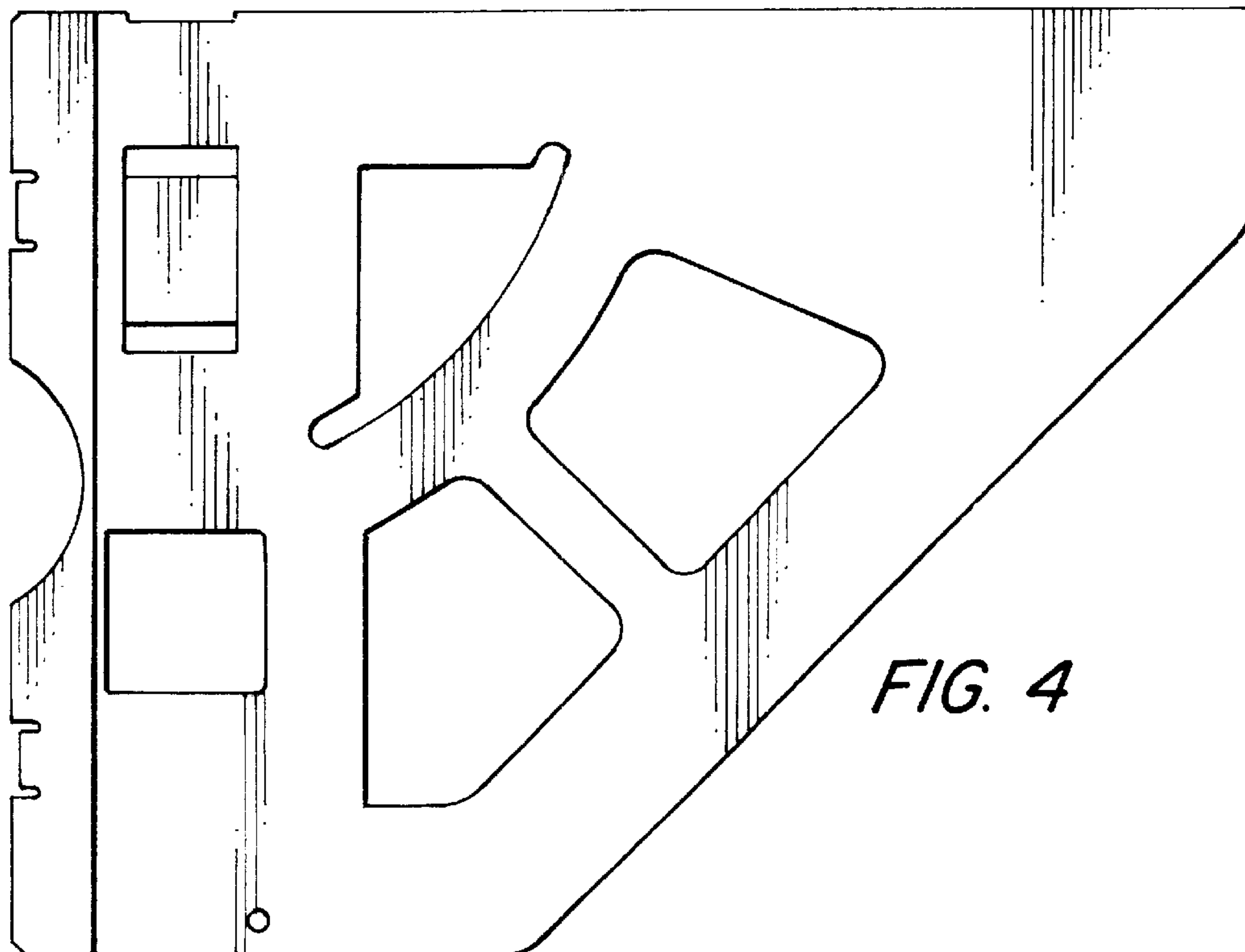
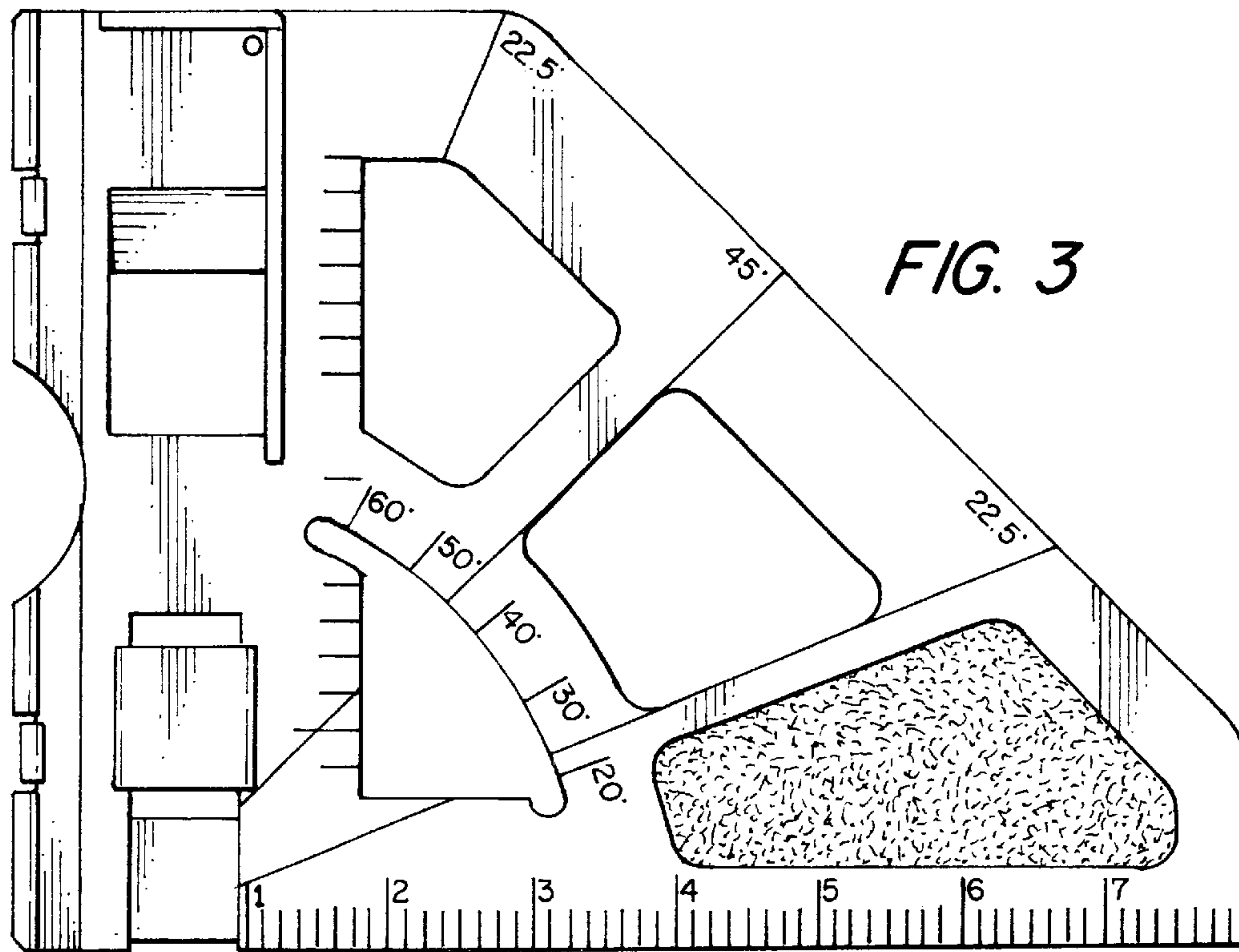




FIG. 5

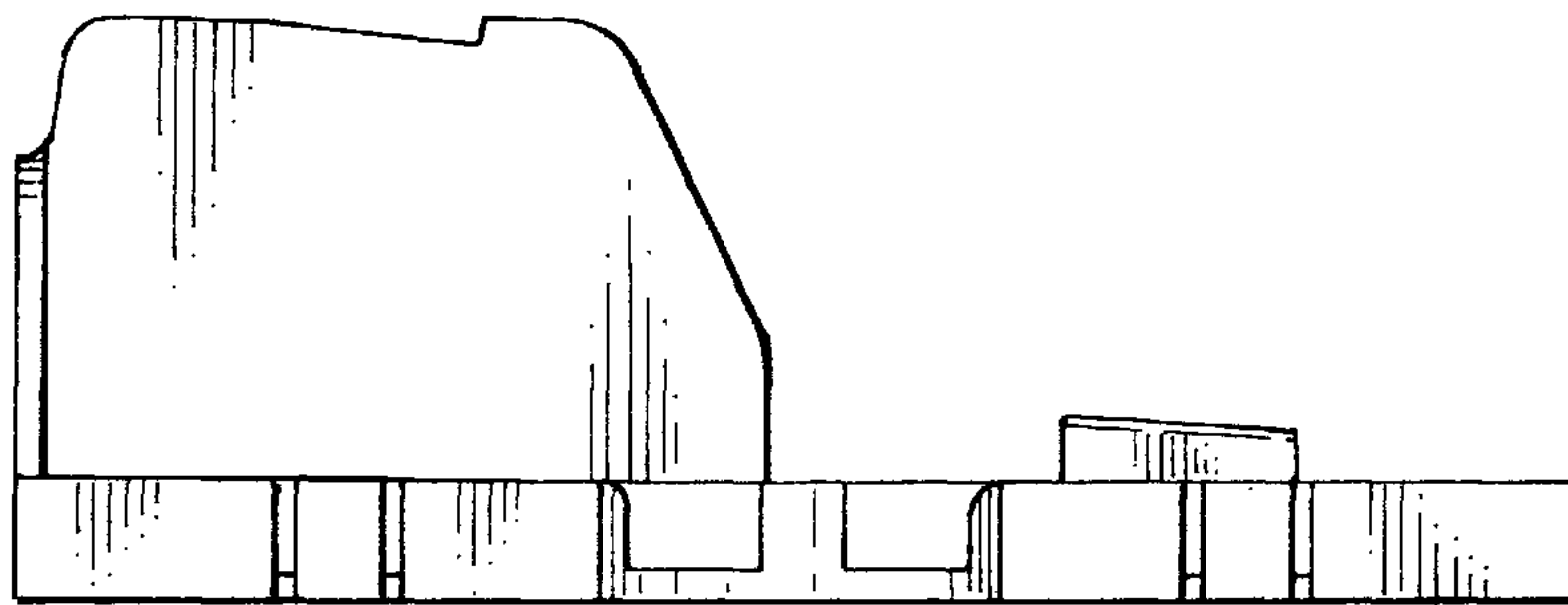


FIG. 6

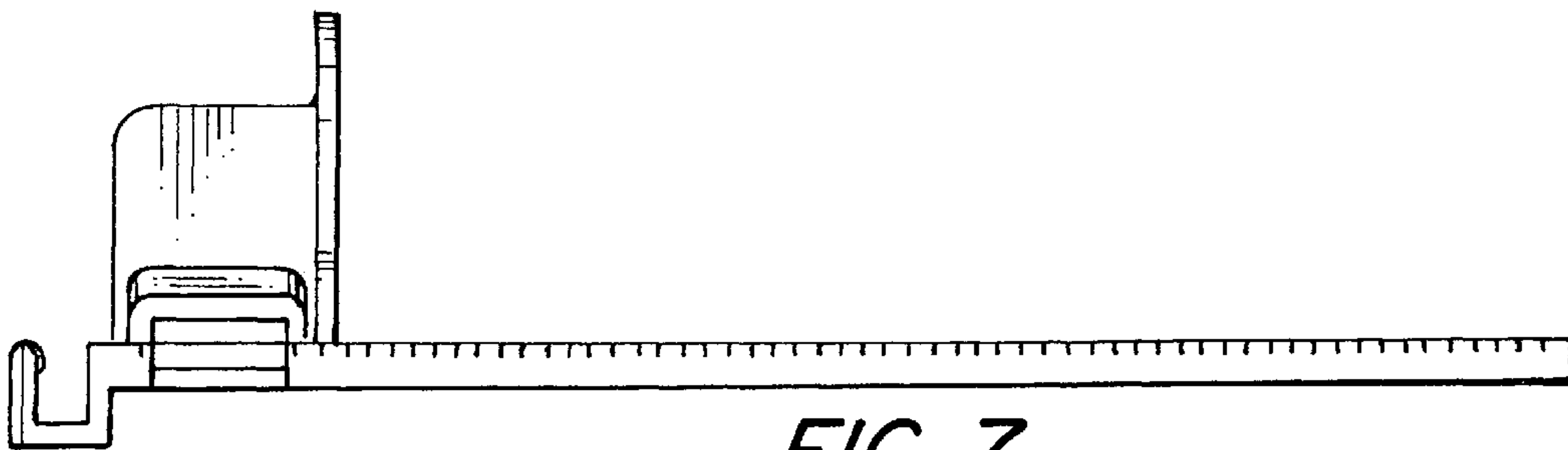


FIG. 7

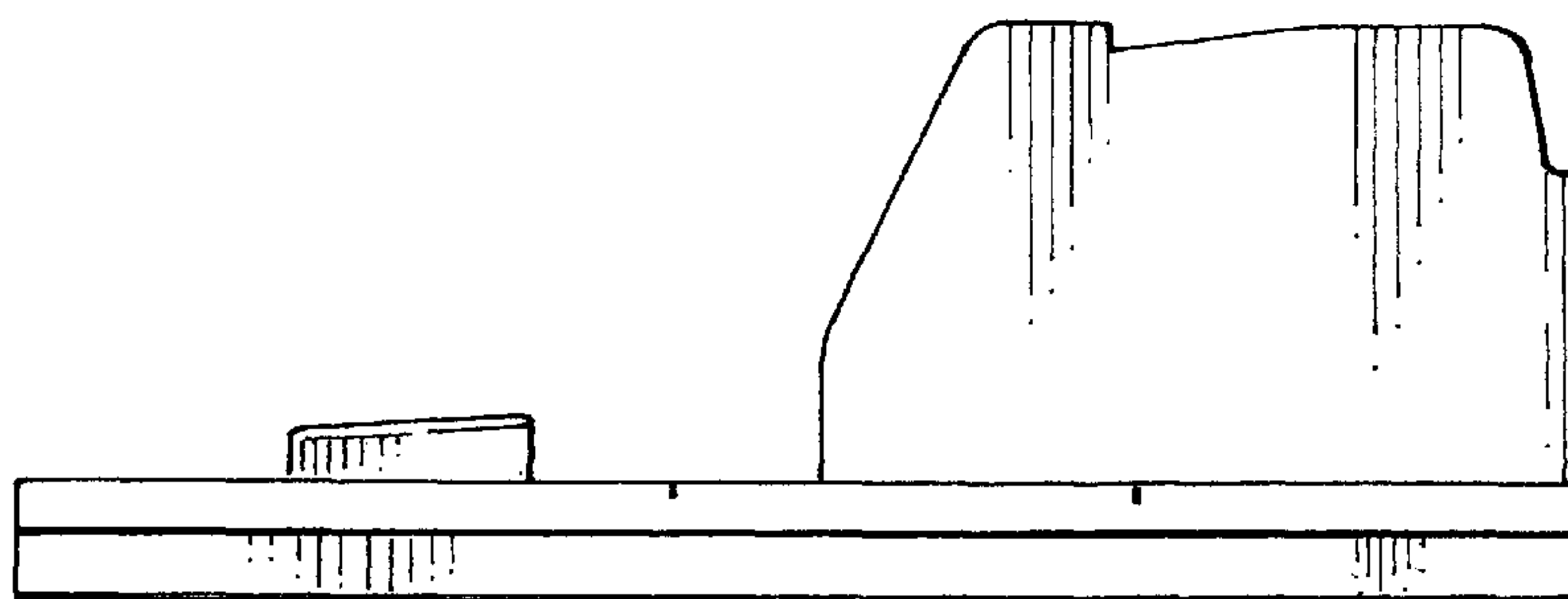


FIG. 8