



US00D510707S

(12) **United States Design Patent**
Cheng

(10) **Patent No.:** **US D510,707 S**

(45) **Date of Patent:** **** Oct. 18, 2005**

(54) **WATCH CASE**

(75) **Inventor:** **Ji Hong Cheng**, Shenzhen (CN)

(73) **Assignee:** **New Heritage Limited**, Hung Hom Kin (KR)

(**) **Term:** **14 Years**

(21) **Appl. No.:** **29/212,954**

(22) **Filed:** **Sep. 10, 2004**

(51) **LOC (8) Cl.** **10-02**

(52) **U.S. Cl.** **D10/30**

(58) **Field of Search** D10/1-40, 122-132;
368/41-44, 82-84, 28-30, 239-242, 276-277,
280-282, 285

(56) **References Cited**

U.S. PATENT DOCUMENTS

D455,354 S	*	4/2002	Parmigiani	D10/30
D488,072 S	*	4/2004	Gensini	D10/30
D488,073 S	*	4/2004	Rousseau	D10/30
D488,074 S	*	4/2004	Rousseau	D10/30

* cited by examiner

Primary Examiner—Nelson C. Holtje

(74) *Attorney, Agent, or Firm*—Thomas I. Rozsa; Tony D. Chen

(57) **CLAIM**

The ornamental design for a watch case, as shown and described.

DESCRIPTION

FIG. 1 is a perspective view of a watch case, showing my new design;

FIG. 2 is a top plan view;

FIG. 3 is bottom plan view;

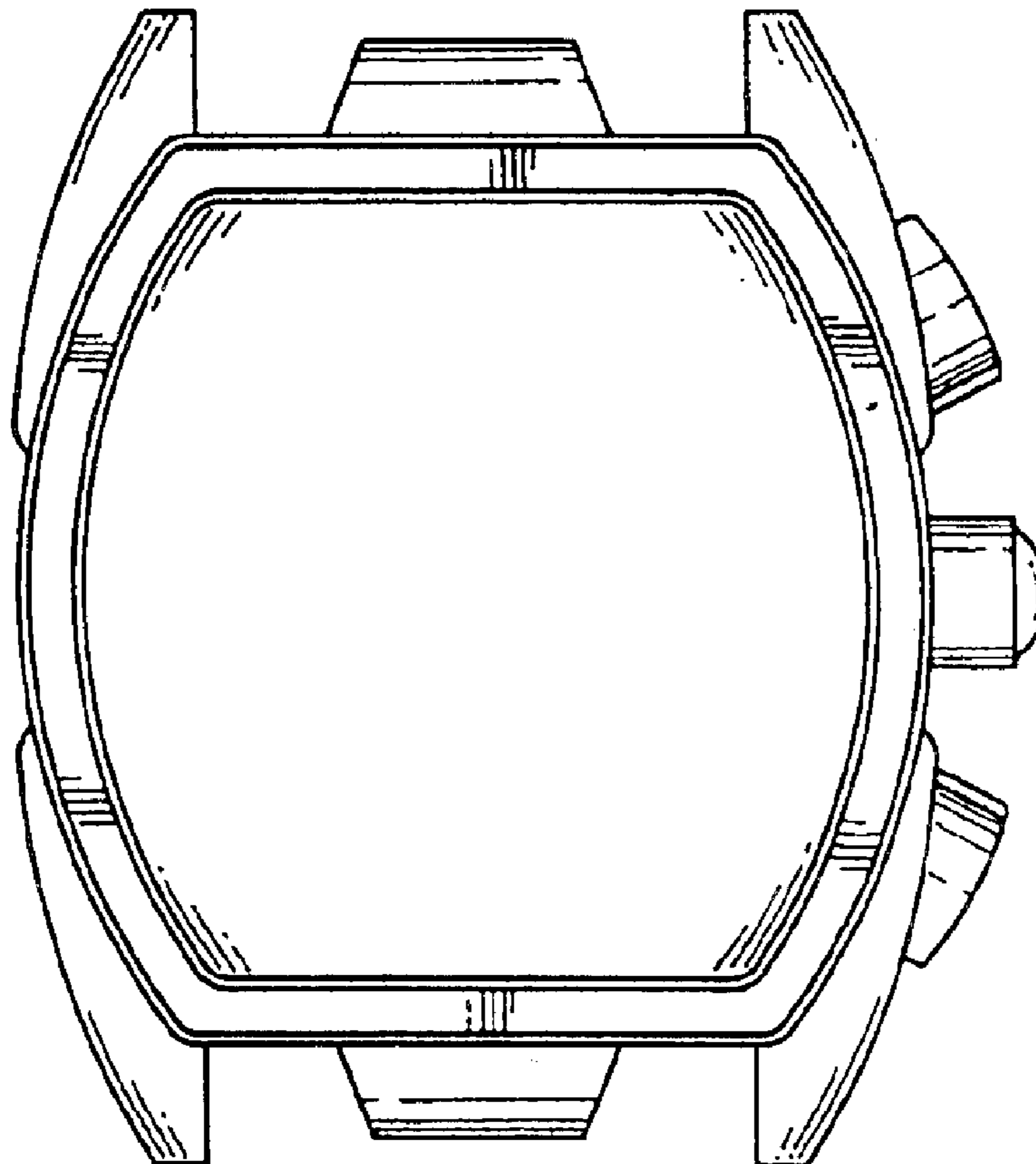
FIG. 4 is a side elevational view when viewed from the right side;

FIG. 5 is a side elevational view when viewed from the left side;

FIG. 6 is a top plan view; and,

FIG. 7 is a bottom plan view, showing my new design.

1 Claim, 2 Drawing Sheets



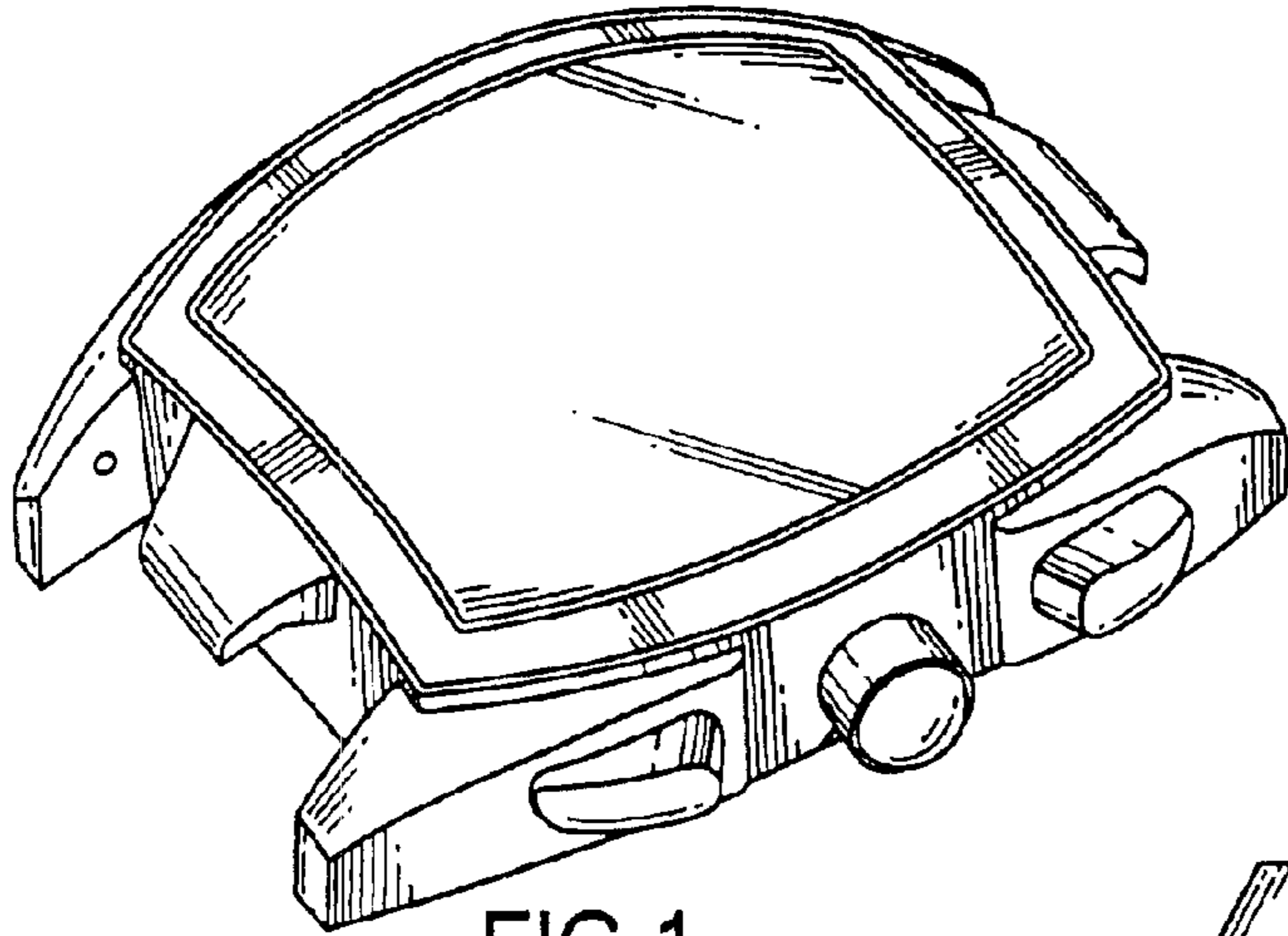


FIG.1

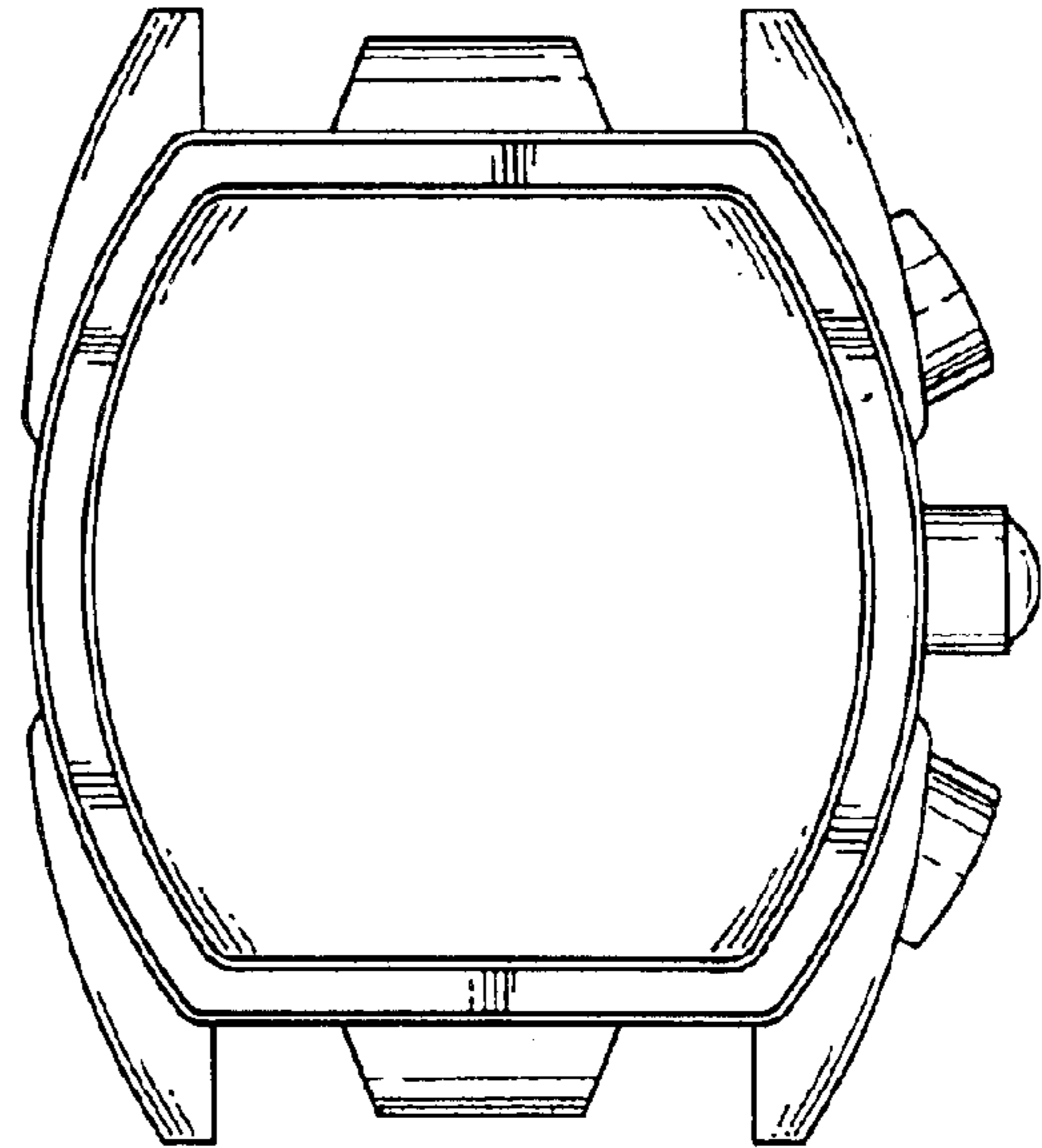


FIG.2

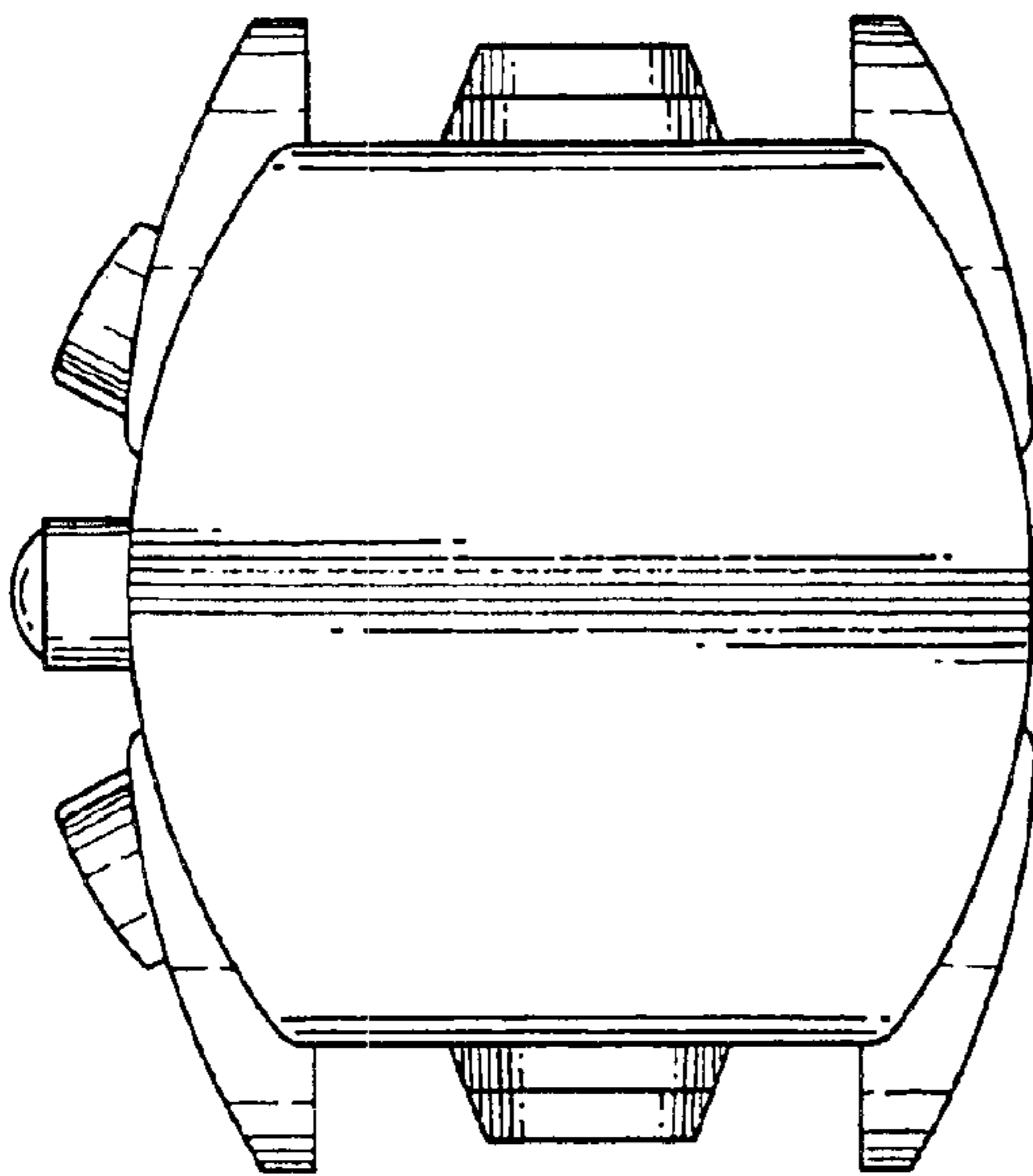


FIG.3

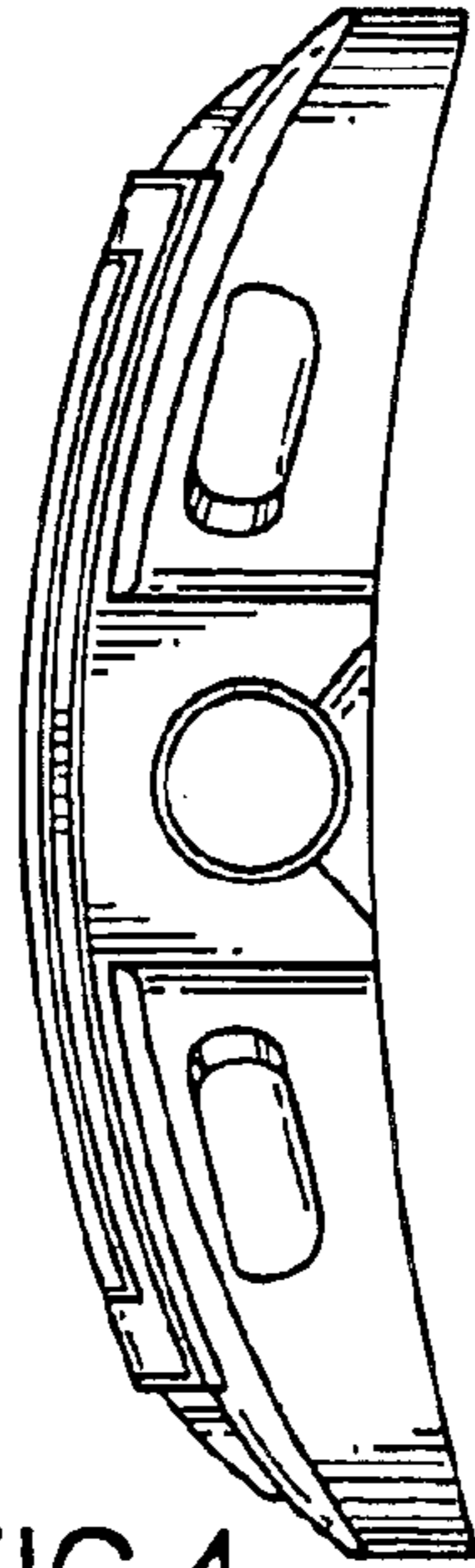


FIG. 4

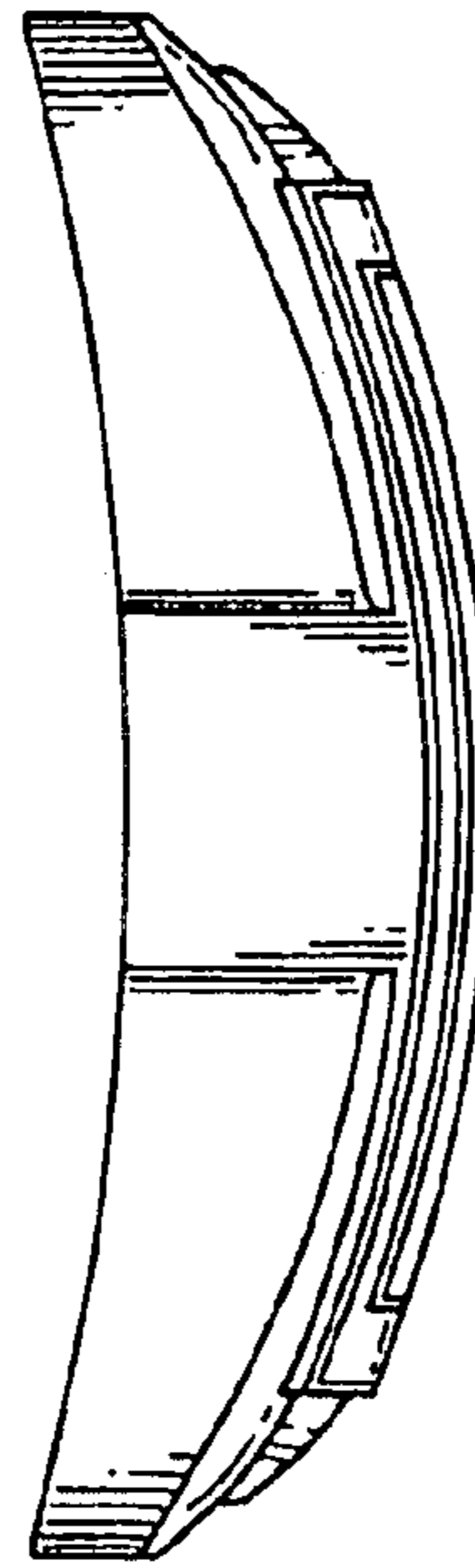


FIG. 5

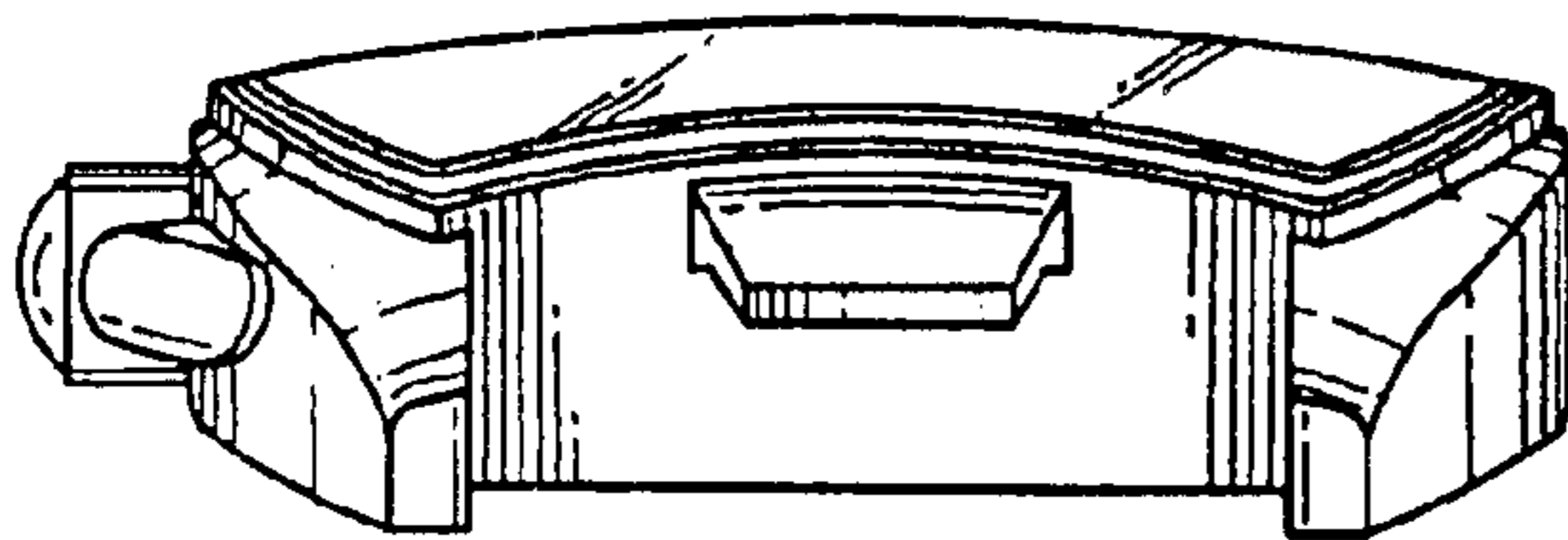


FIG. 6

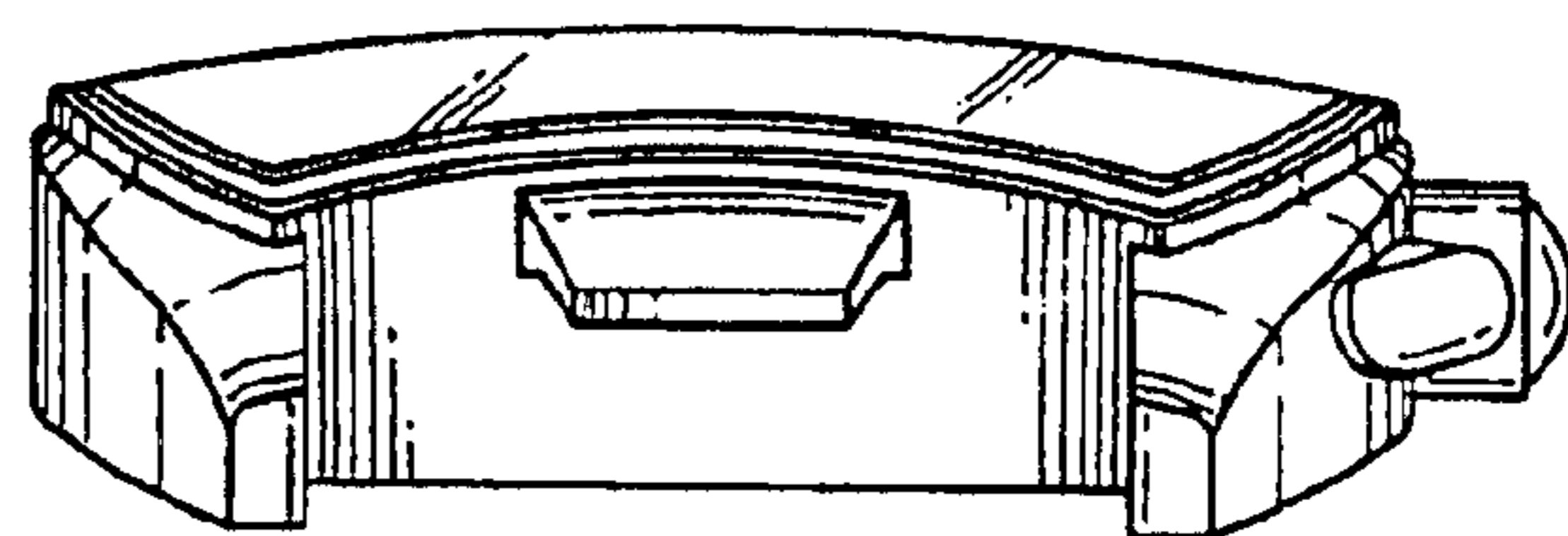


FIG. 7